

[54] TOILET

[75] Inventors: Mark A. Zmuda; Mary J. Reid, both of Sheboygan, Wis.

[73] Assignee: Kohler Co., Kohler, Wis.

[**] Term: 14 Years

[21] Appl. No.: 108,738

[22] Filed: Oct. 14, 1987

[52] U.S. Cl. D23/300

[58] Field of Search D23/295-301, D23/309-313; 4/306, 329-332, 353, 420-448, DIG. 15

[56] References Cited

U.S. PATENT DOCUMENTS

D. 187,854	5/1960	Dreyfuss	D23/300
D. 201,347	6/1965	Phillips, Jr.	D23/300
D. 224,108	7/1972	Doman	D23/65
D. 226,910	5/1973	Doman	D23/51
D. 250,202	11/1978	Doman et al.	D23/65
D. 268,779	4/1983	Doman	D23/51
D. 268,780	4/1983	Doman et al.	D23/65
D. 271,326	11/1983	Doman et al.	D23/65
D. 292,431	10/1987	Kohler	D23/301

OTHER PUBLICATIONS

Kohler Cat. K-300, p. 80, 4/1982 and Kohler Cat. K-400, p. 9-21, 1985-Kingston Toilet. Kohler Catalog K-73, p. 67, 1973; Cayuga Toilet. Kohler Catalog K-300, p. 79, 1979; Corwyn Toilet. Kohler Catalog k-400, p. 9-22, 1985; Sifton/Suffield Toilets. 1982 American Standard Ad for Glenwall Toilet.

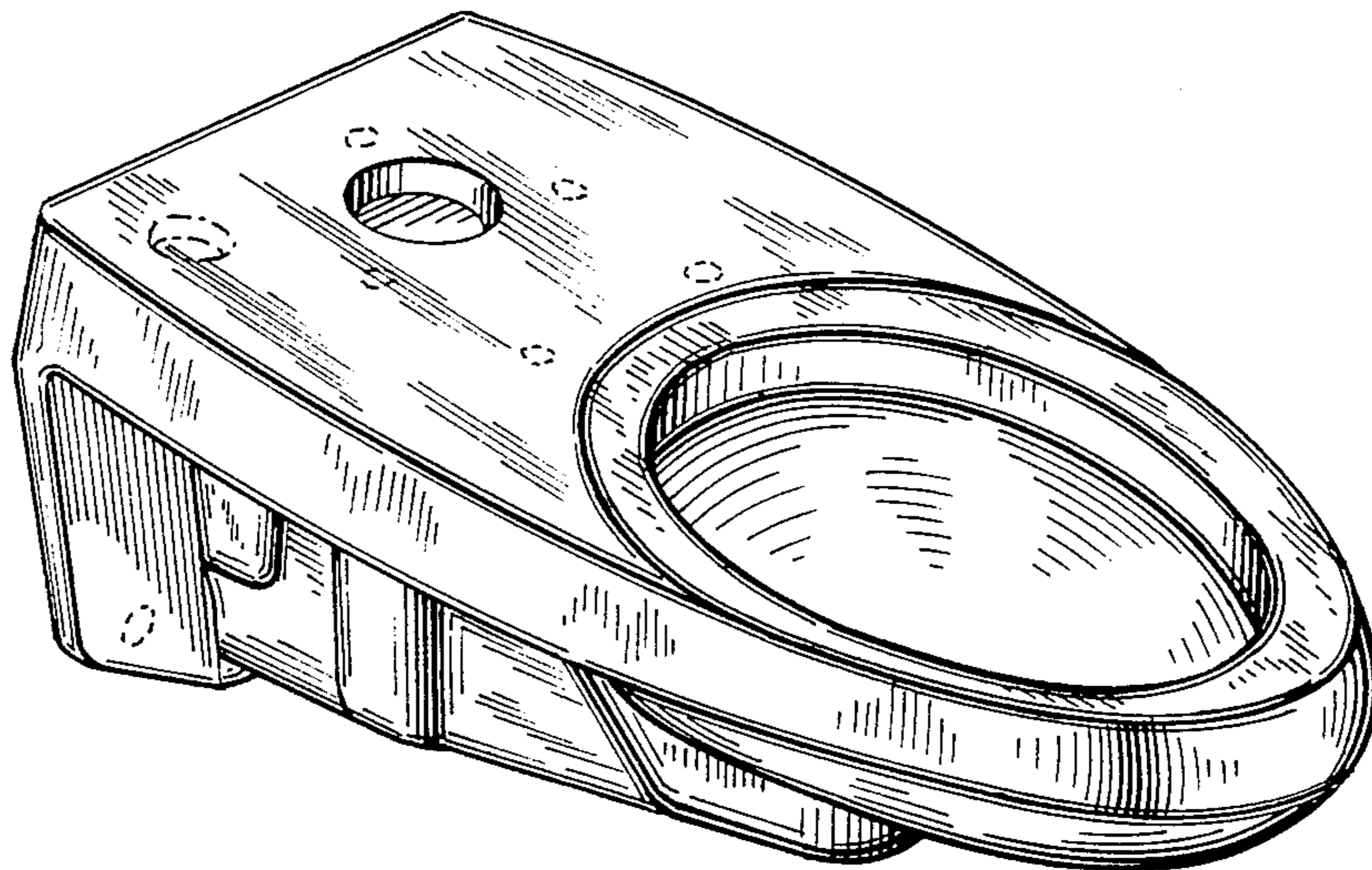
Primary Examiner—James R. Largen
Attorney, Agent, or Firm—Quarles & Brady

[57] CLAIM

The ornamental design for a toilet, as shown and described.

DESCRIPTION

FIG. 1 is a perspective view taken from the top, front and left side of a toilet showing our new design; FIG. 2 is a top plan view thereof; FIG. 3 is a front elevational view thereof; FIG. 4 is a bottom plan view thereof; FIG. 5 is a left side elevational view thereof, the right side being a mirror image of the left side shown; FIG. 6 is a cross-sectional view taken on line 6—6 of FIG. 2; and FIG. 7 is a cross-sectional view taken on line 7—7 of FIG. 2. The broken line representations of holes in FIGS. 1-4, 6 and 7 are for the purpose of illustration only.



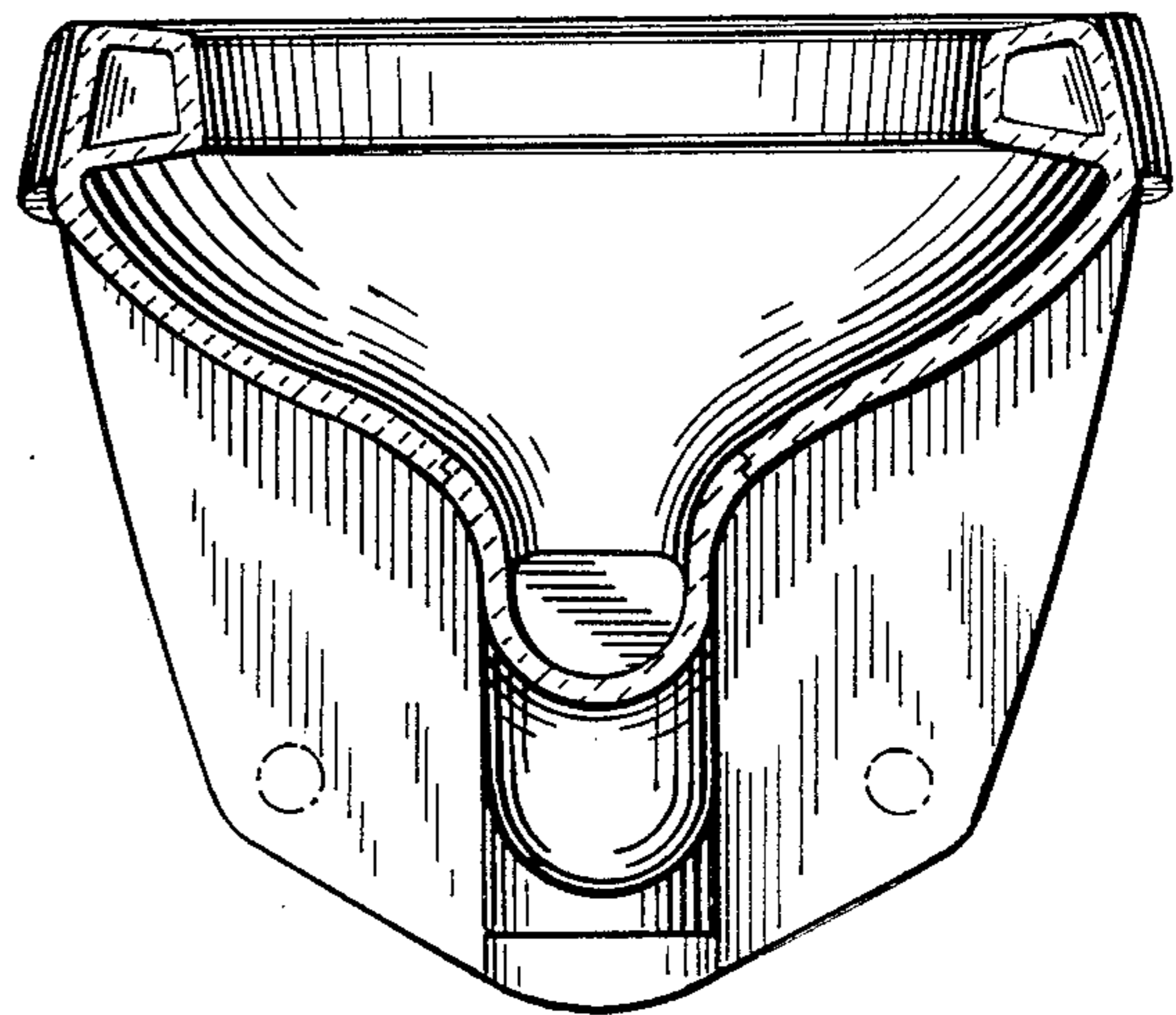
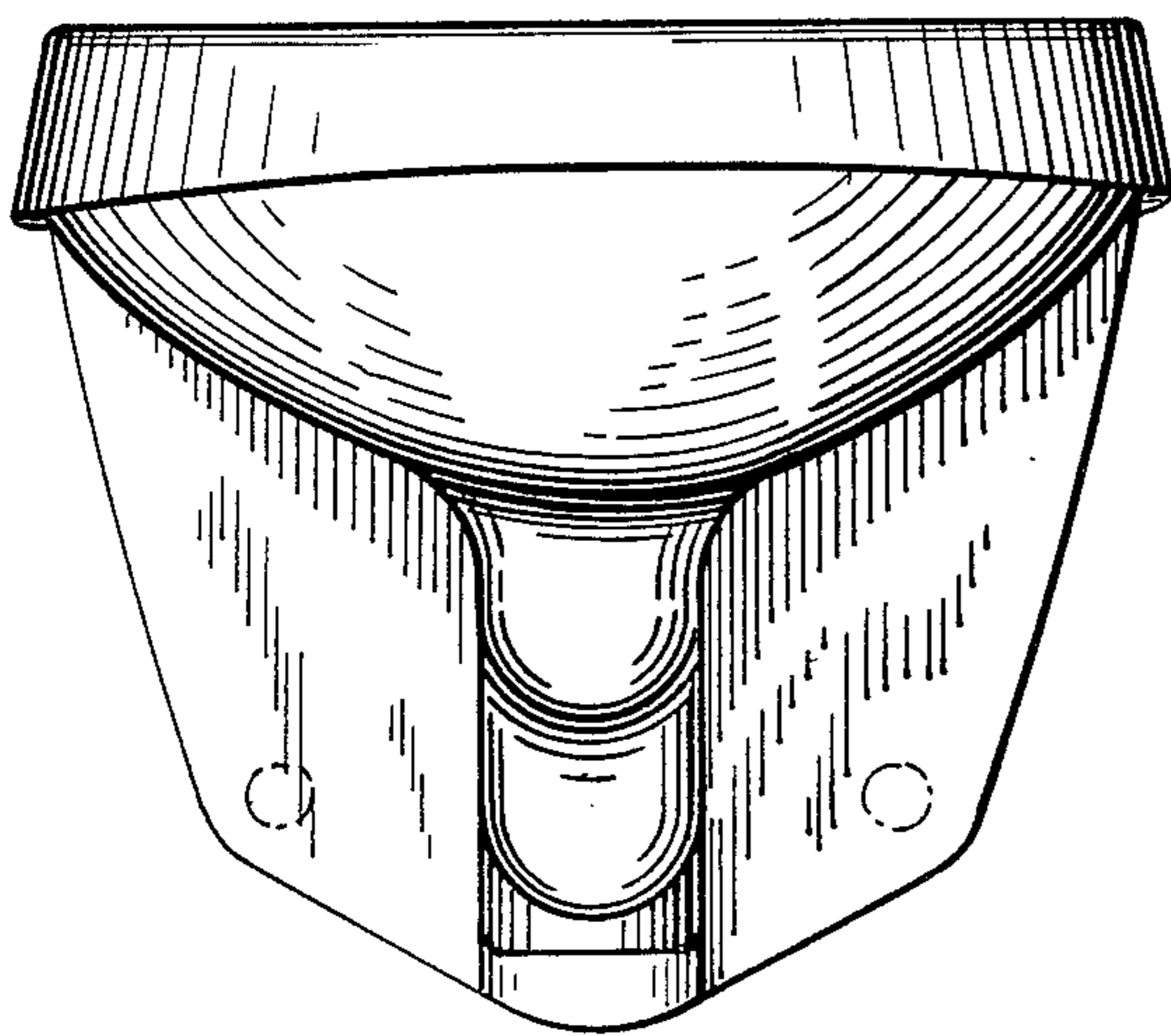
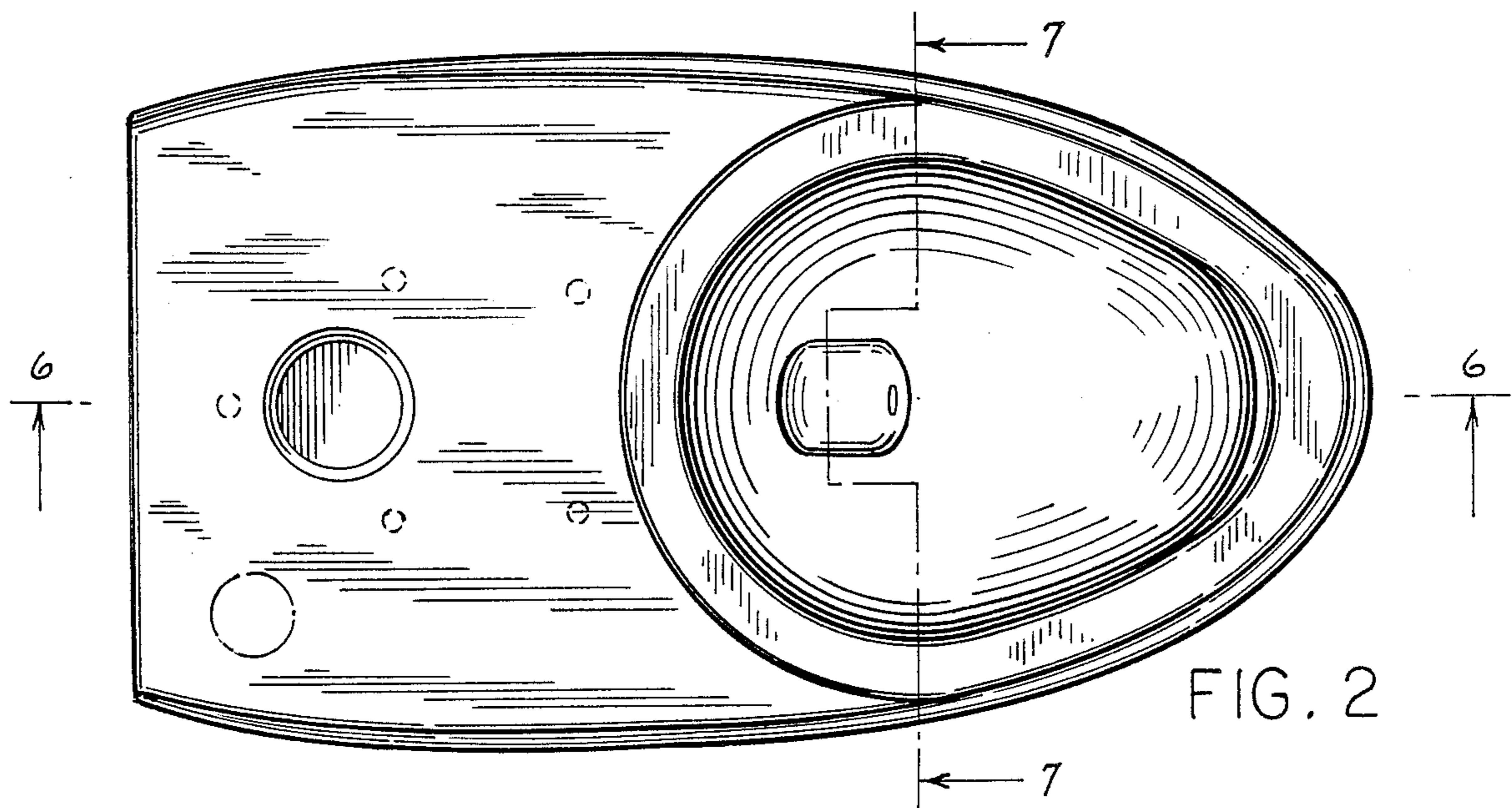
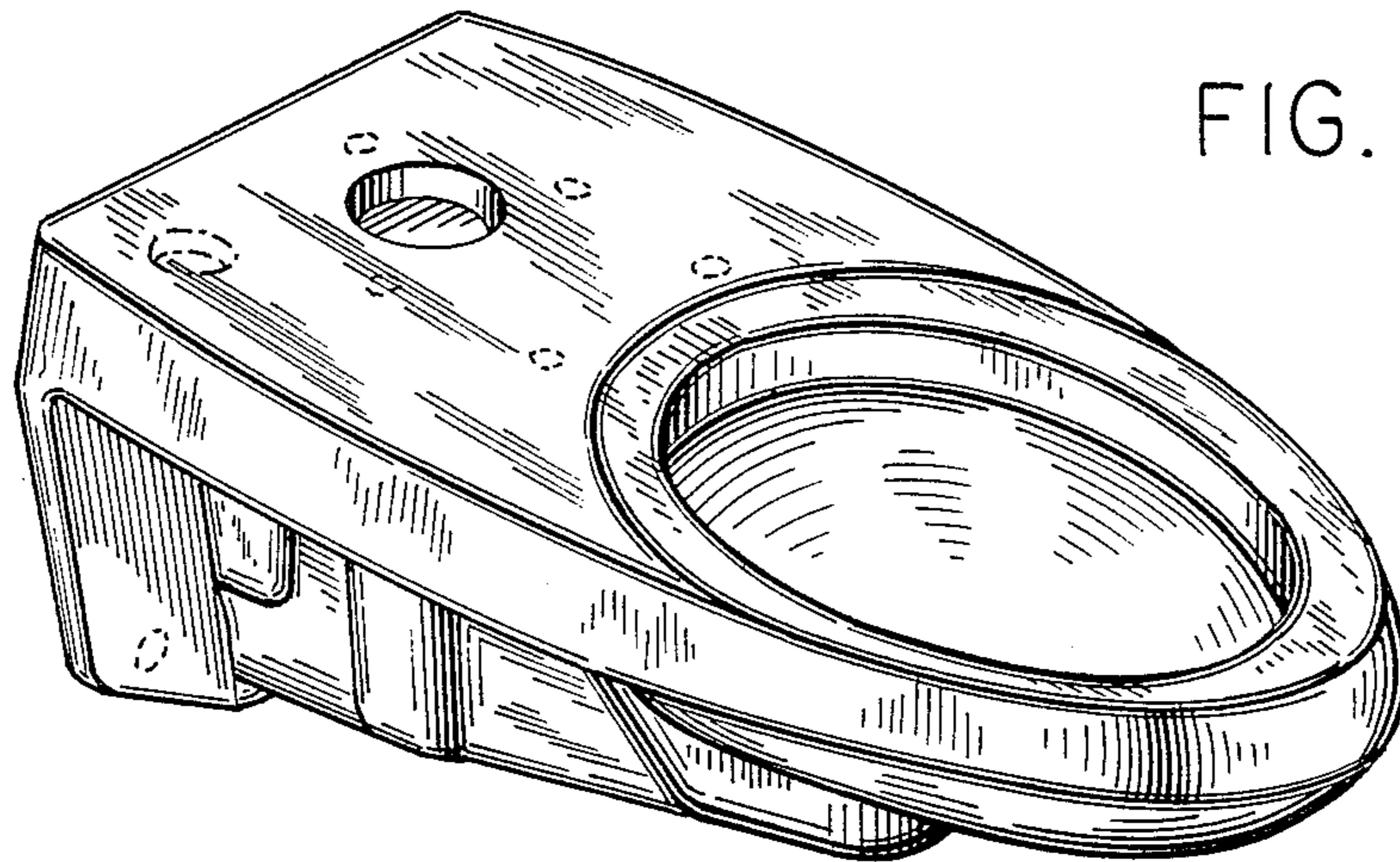


FIG. 4

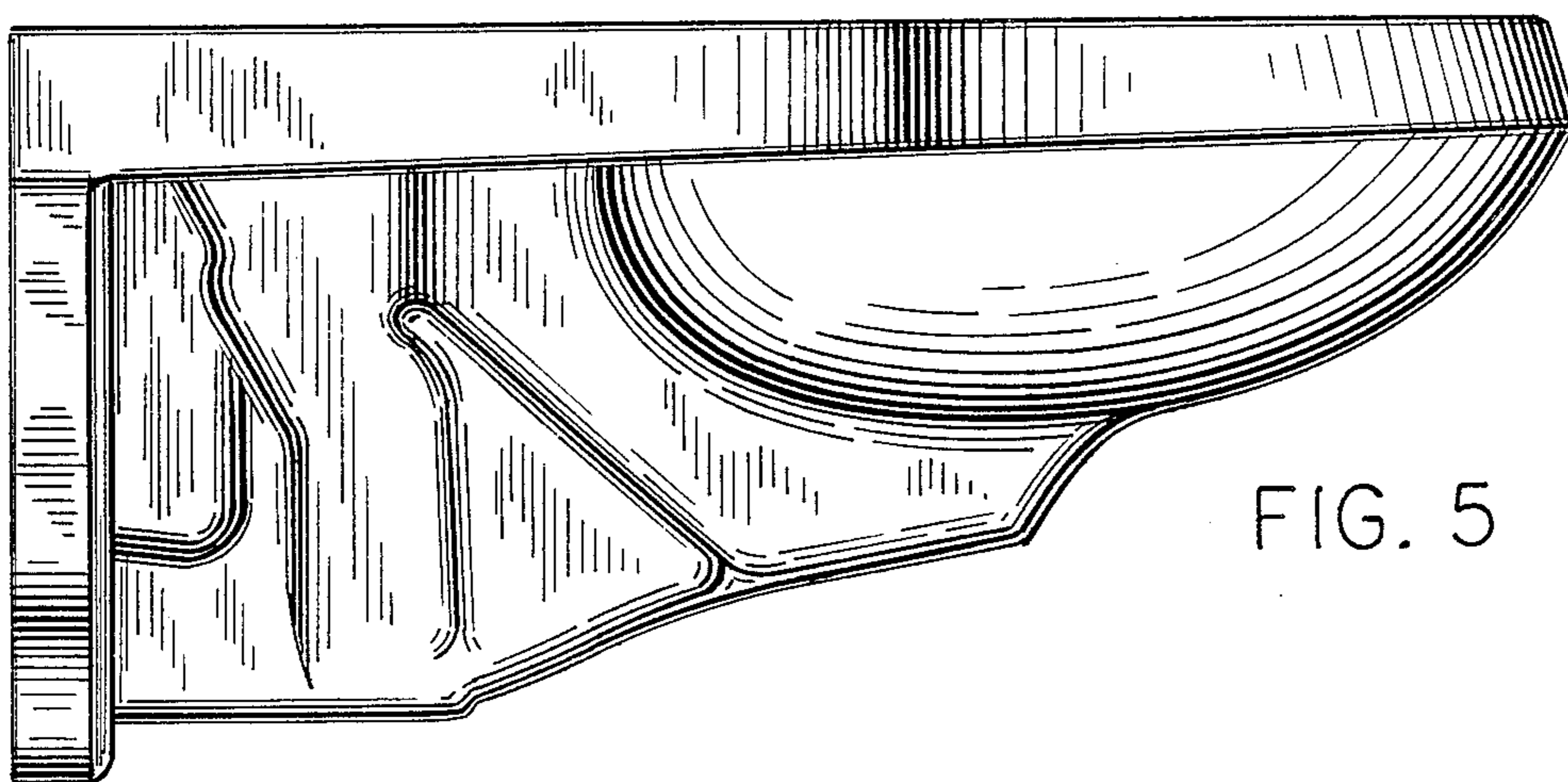
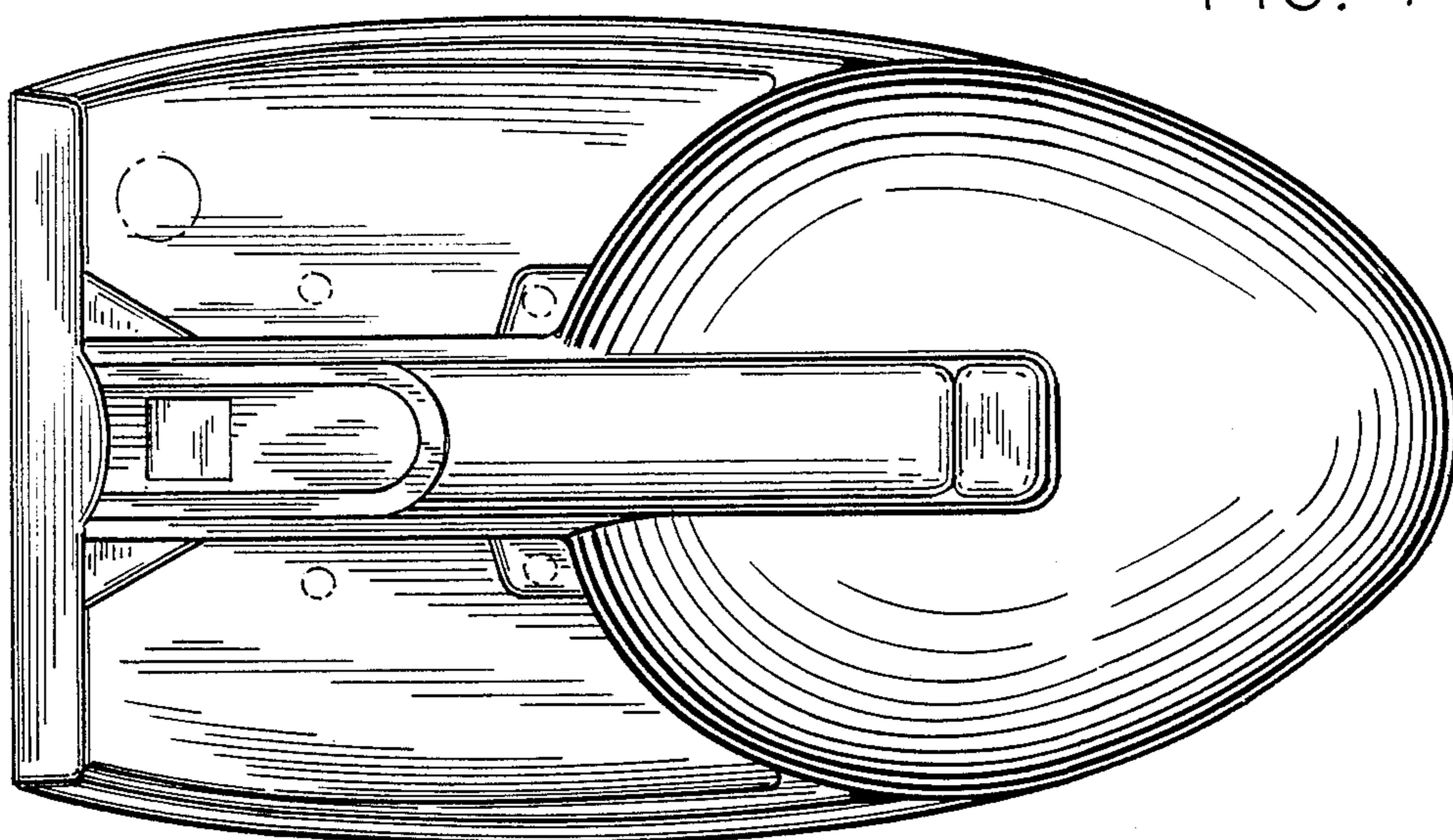


FIG. 5

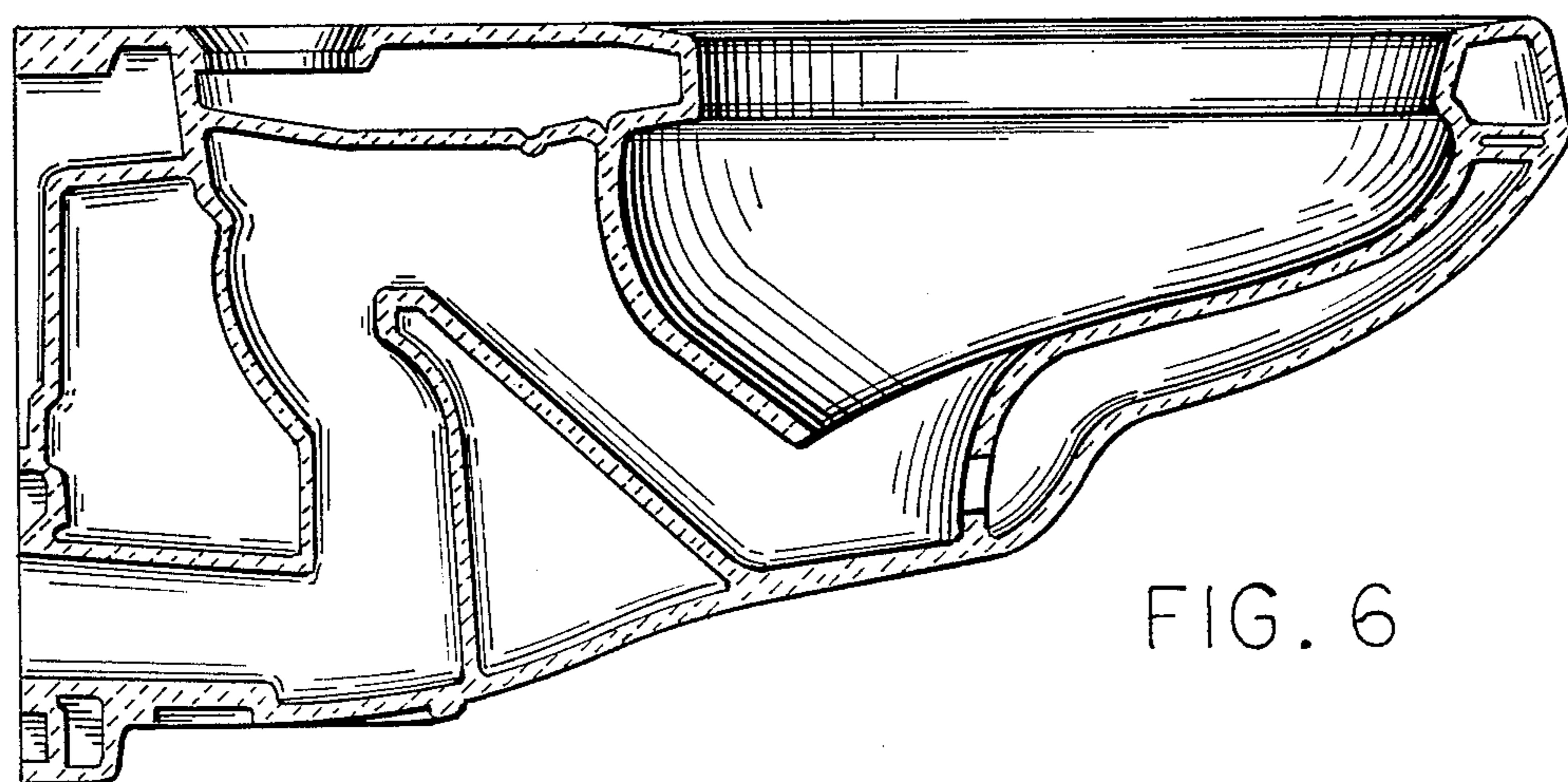


FIG. 6