

[54] **TOILET TRAINING SEAT FOR CHILDREN**

[75] **Inventor: Mark Sedlack, Macedonia, Ohio**

[73] **Assignee: Century Products Company,  
Macedonia, Ohio**

[\*\*] **Term: 14 Years**

[21] **Appl. No.: 265,723**

[22] **Filed: Nov. 1, 1988**

[52] **U.S. Cl. .... D23/296; D6/372**

[58] **Field of Search .... D23/296-298;  
D6/333, 345, 351, 359-372; 4/254, 449, 476,  
479, 480-481**

[56] **References Cited**

**U.S. PATENT DOCUMENTS**

D. 59,126	9/1921	Morton	.....	D23/296
D. 231,530	4/1974	Kullenback	.....	D23/296
D. 284,023	5/1986	Lipski	.....	D23/296

2,607,926	8/1952	De Puy	.....	4/254
2,992,439	7/1961	Van Tassel	.....	4/254
4,205,404	6/1980	Levins	.....	4/254
4,534,072	8/1985	Lipski	.....	4/254
4,777,672	10/1988	Gebhard et al.	.....	4/449

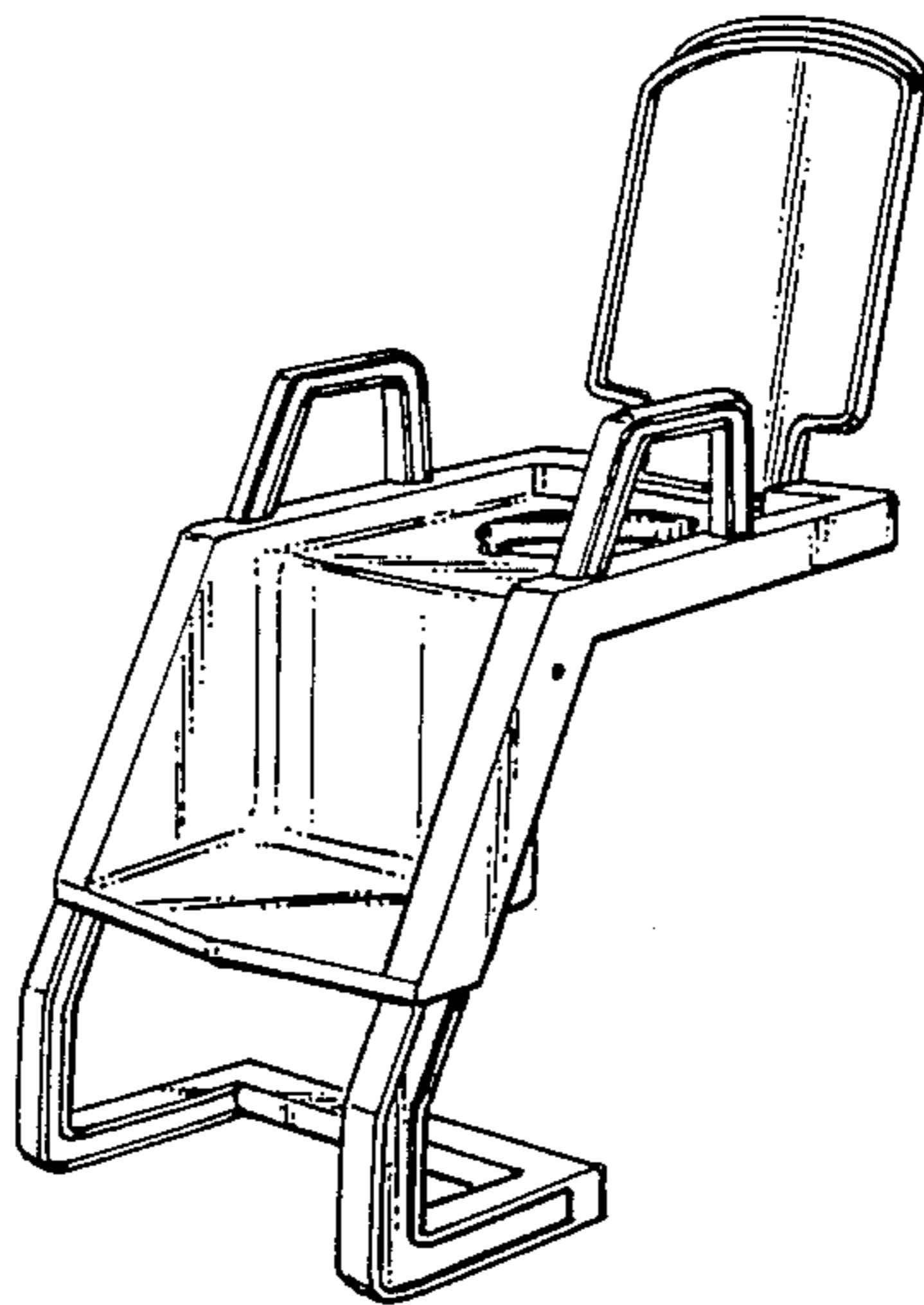
*Primary Examiner*—James R. Largen  
*Attorney, Agent, or Firm*—Townsend and Townsend

[57] **CLAIM**

The ornamental design for a toilet training seat for children, as shown and described.

**DESCRIPTION**

FIG. 1 is a perspective view of the toilet training seat for children showing my new design;  
FIG. 2 is a top plan view thereof;  
FIG. 3 is a front elevational view thereof;  
FIG. 4 is a left side elevational view thereof;  
FIG. 5 is a right side elevational view thereof;  
FIG. 6 is a rear elevational view thereof; and  
FIG. 7 is a bottom plan view thereof.



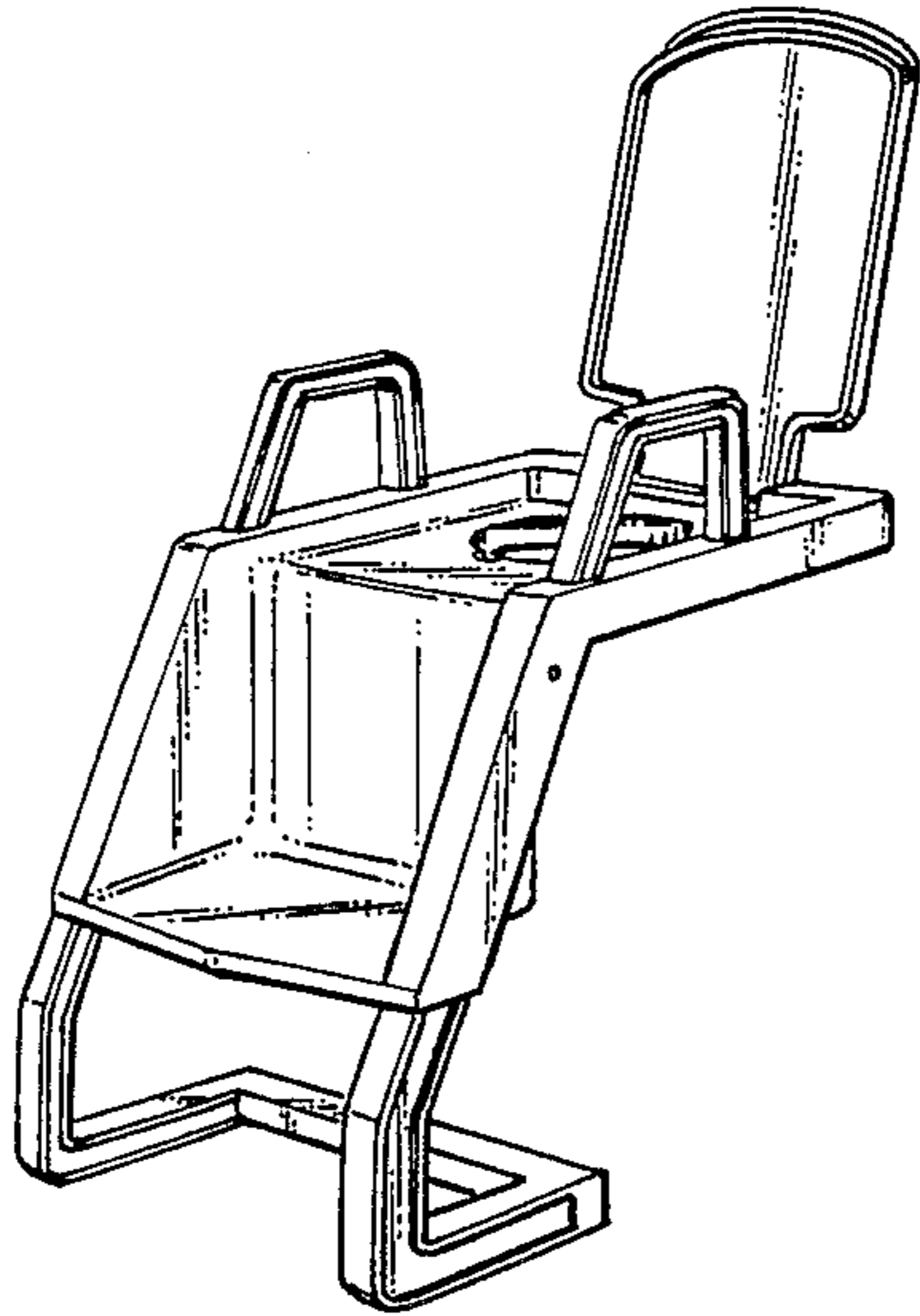


FIG. 1.

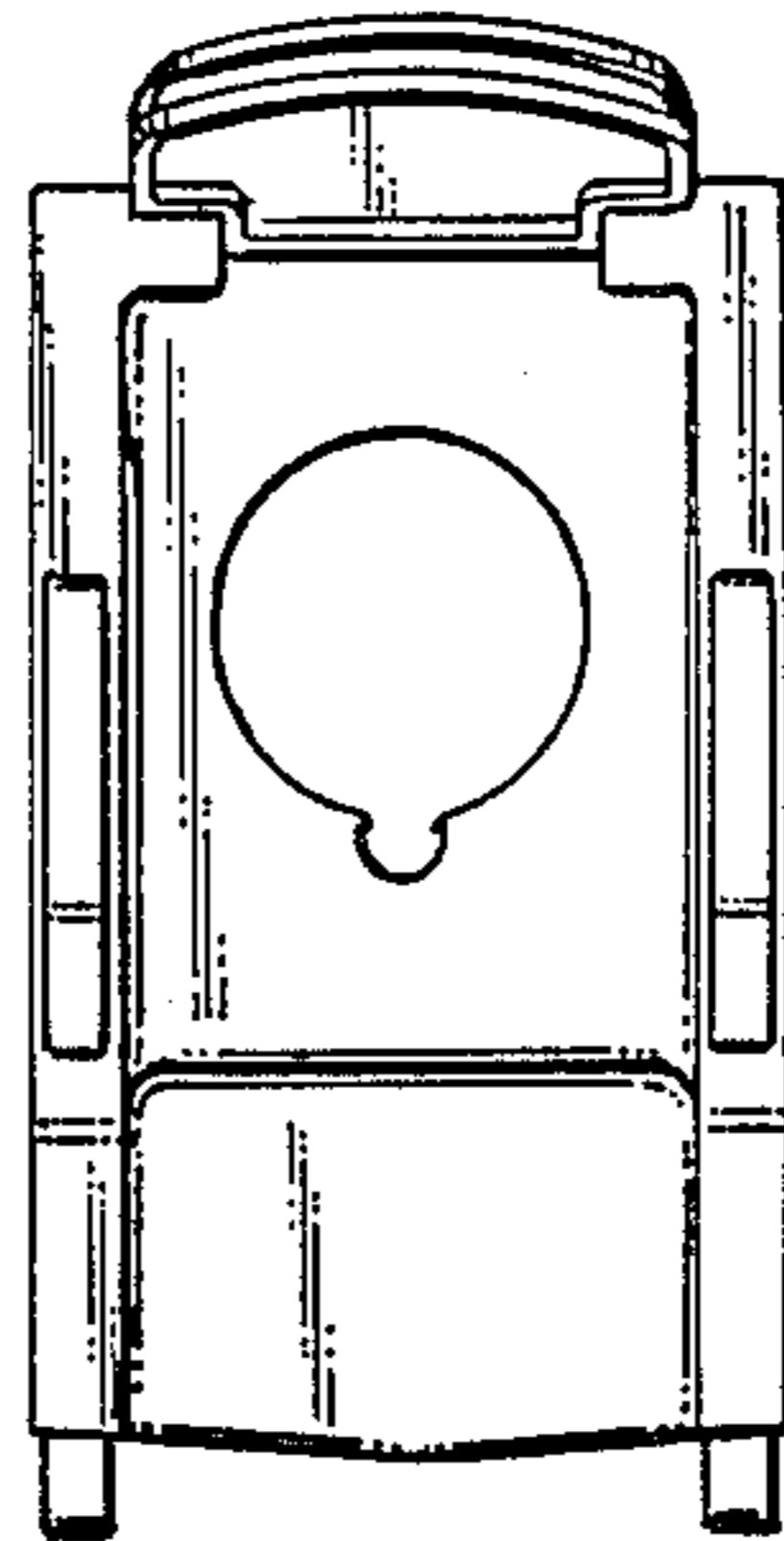


FIG. 2.

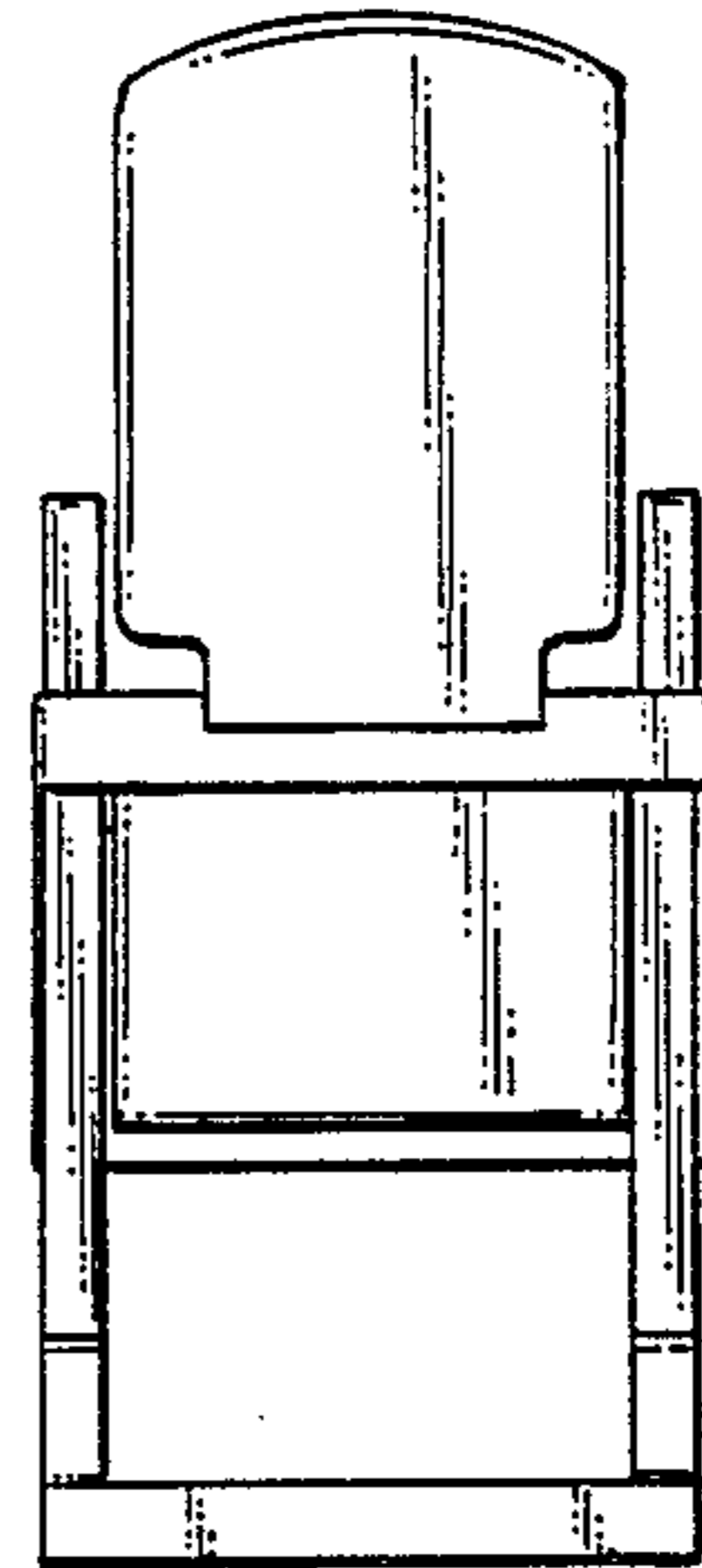


FIG. 6.

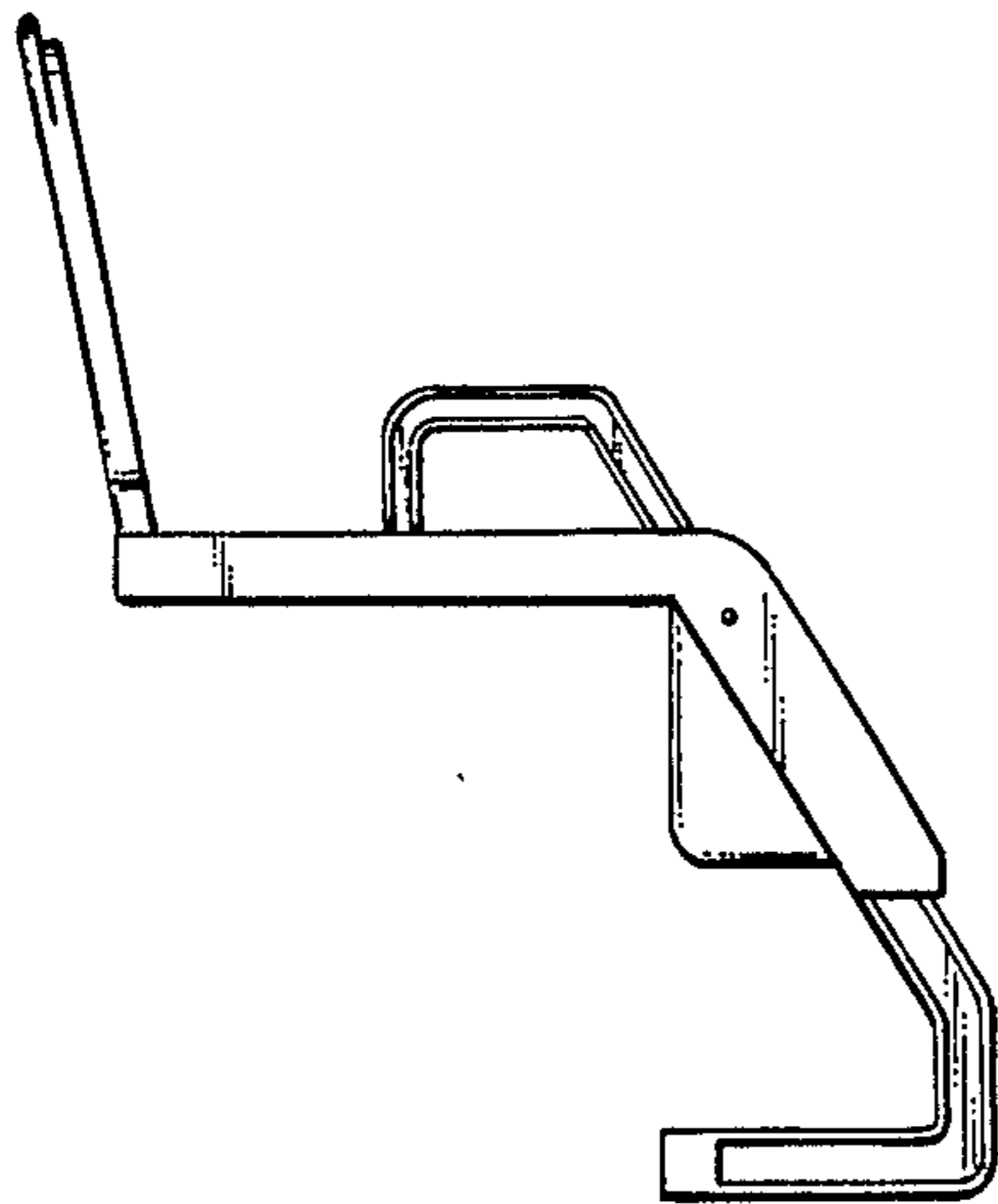


FIG. 4.

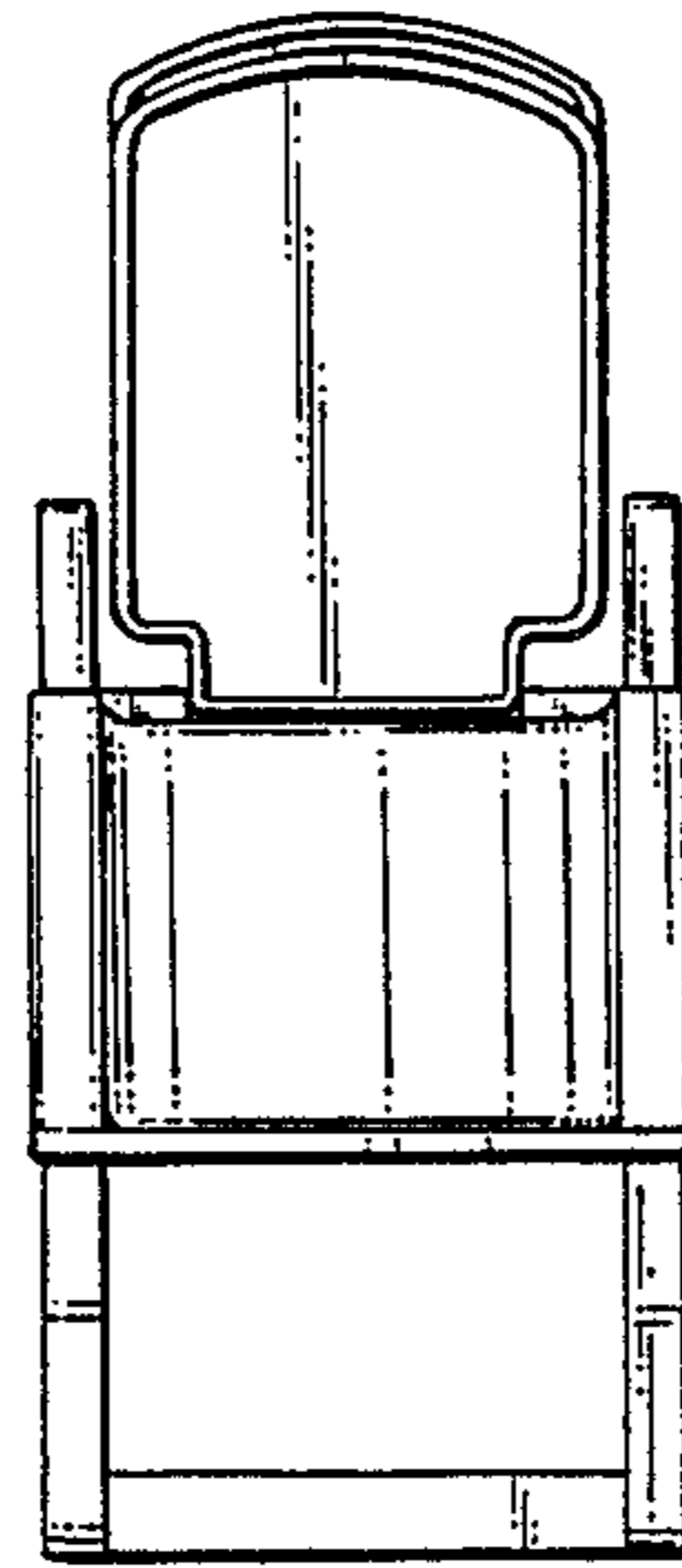


FIG. 3.

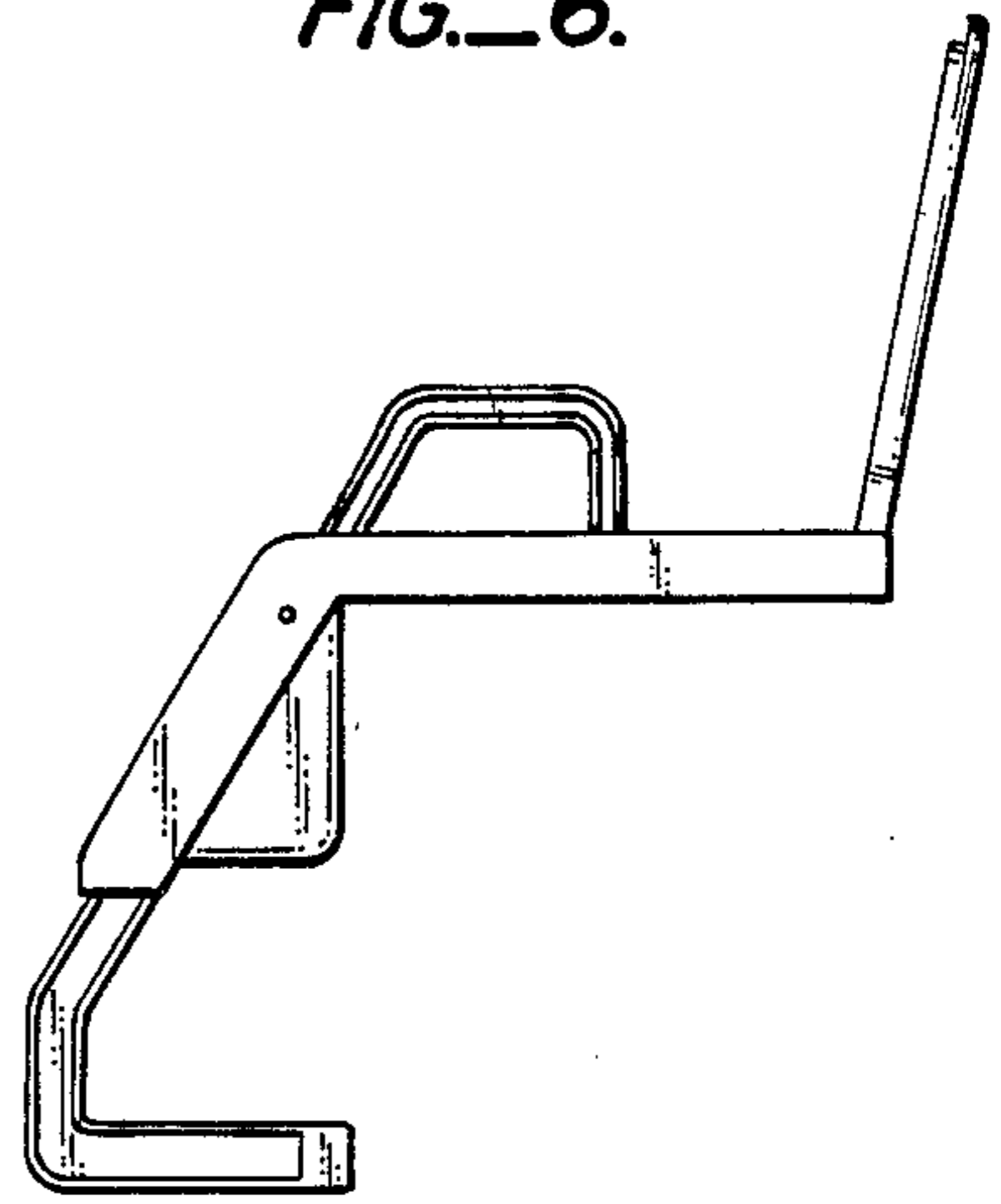


FIG. 5.

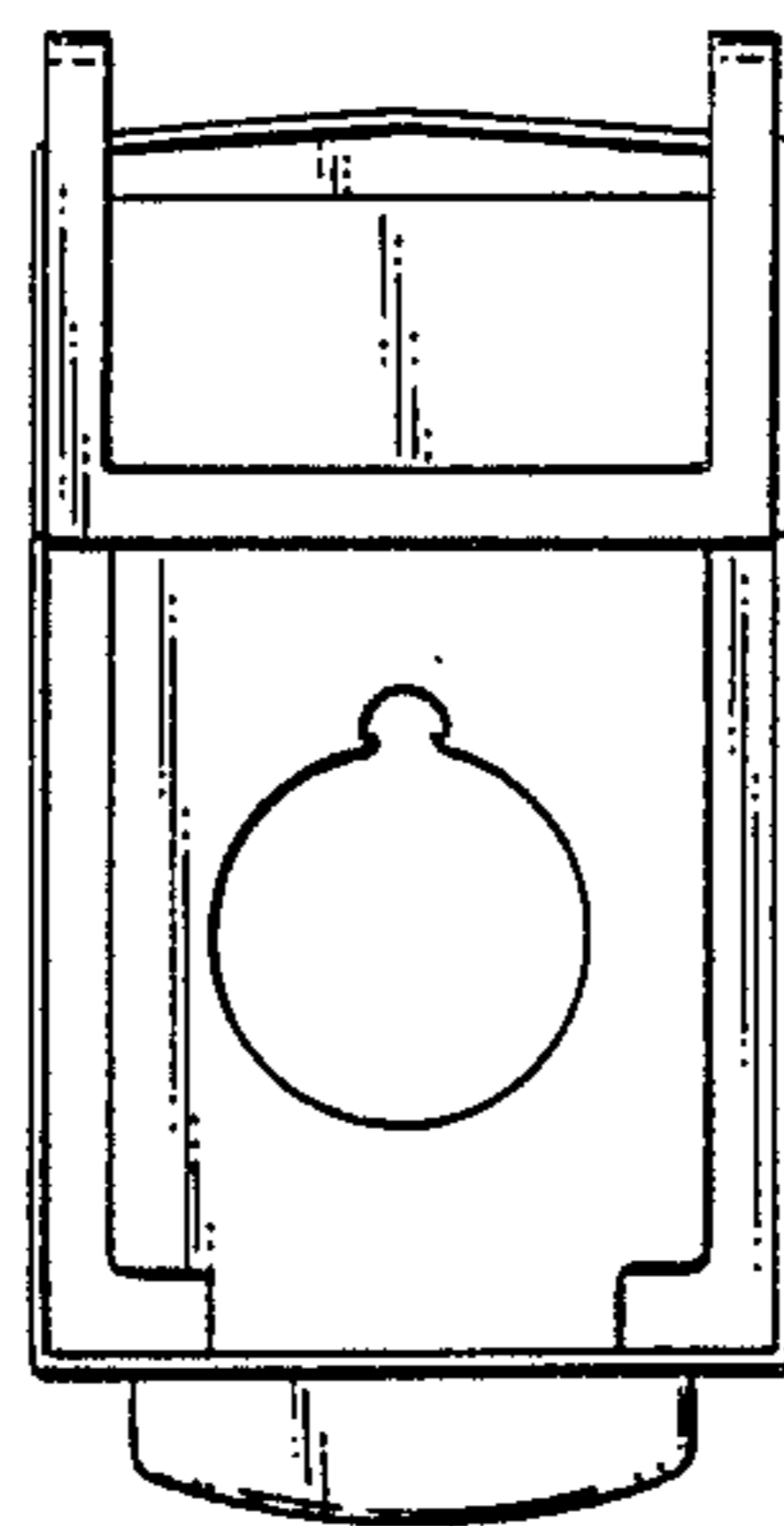


FIG. 7.