

[54] **FAUCET SET**

[75] **Inventor: Joseph Strignano, New York, N.Y.**

[73] **Assignee: I.W. Industries, Melville, N.Y.**

[**] **Term: 14 Years**

[21] **Appl. No.: 45,015**

[22] **Filed: May 1, 1987**

[52] **U.S. Cl. D23/242**

[58] **Field of Search D23/238-243;
4/191, 192; 137/801**

D. 290,159	6/1987	Jans	D23/242
D. 290,160	6/1987	Paul	D23/241
D. 290,869	7/1987	Paul	D23/242
D. 290,870	7/1989	Paul	D23/242
D. 290,871	7/1987	Paul	D23/242
D. 299,851	2/1989	Rademacher	D23/241

Primary Examiner—James R. Largen
Attorney, Agent, or Firm—Alfred M. Walker

[57] **CLAIM**

The ornamental design for a faucet set, as shown and described.

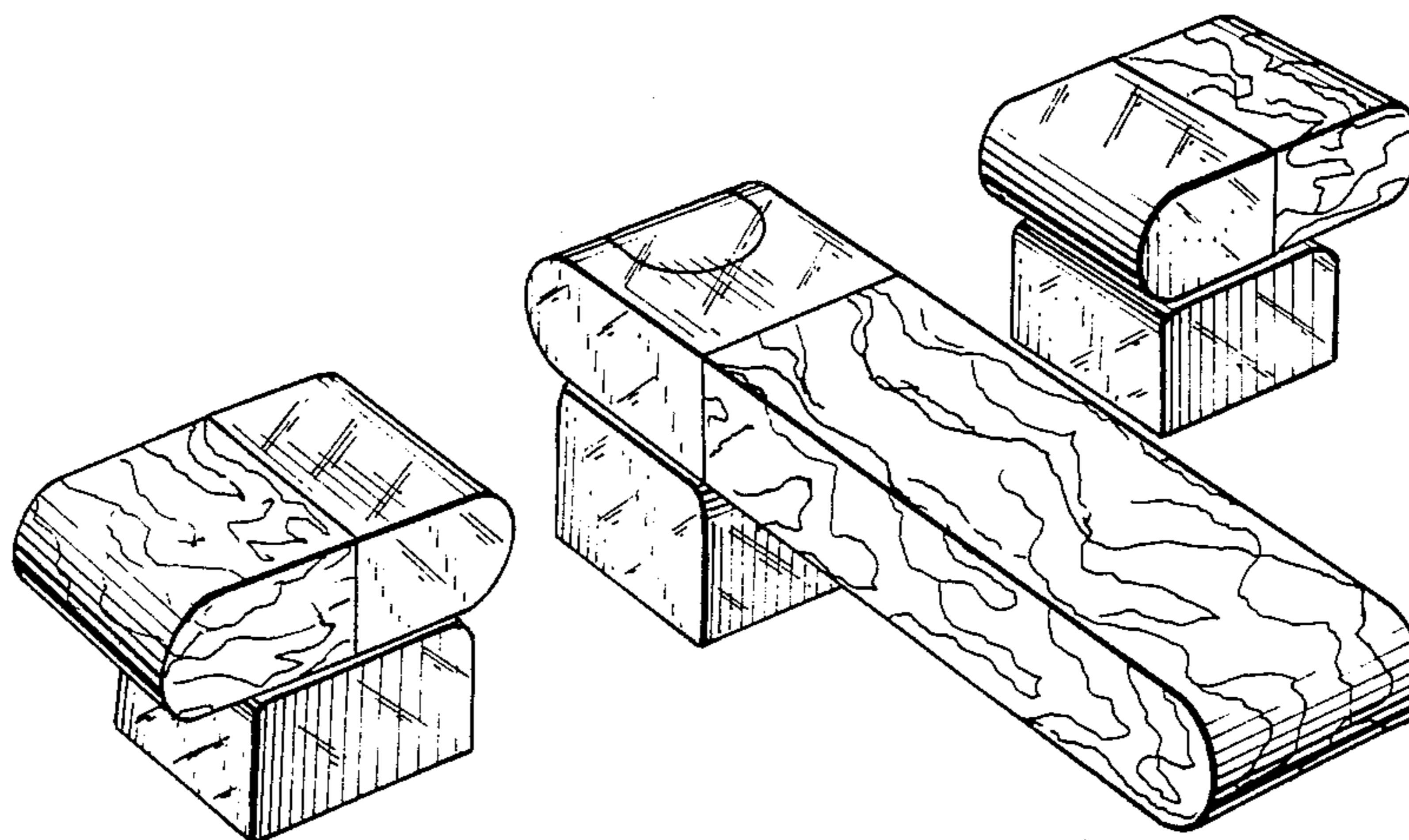
DESCRIPTION

FIG. 1 is a perspective view taken from the top, front and left side of a faucet set showing my new design; FIG. 2 is a top plan view thereof; FIG. 3 is a front elevational view thereof; and FIG. 4 is a right side elevational view thereof, the left side being a mirror image of the right side shown.

[56] **References Cited**

U.S. PATENT DOCUMENTS

D. 265,231	6/1987	Paul	D23/241
D. 271,514	11/1983	Paul	D23/242
D. 278,458	4/1985	Paul	D23/242
D. 279,213	6/1985	Paul	D23/242



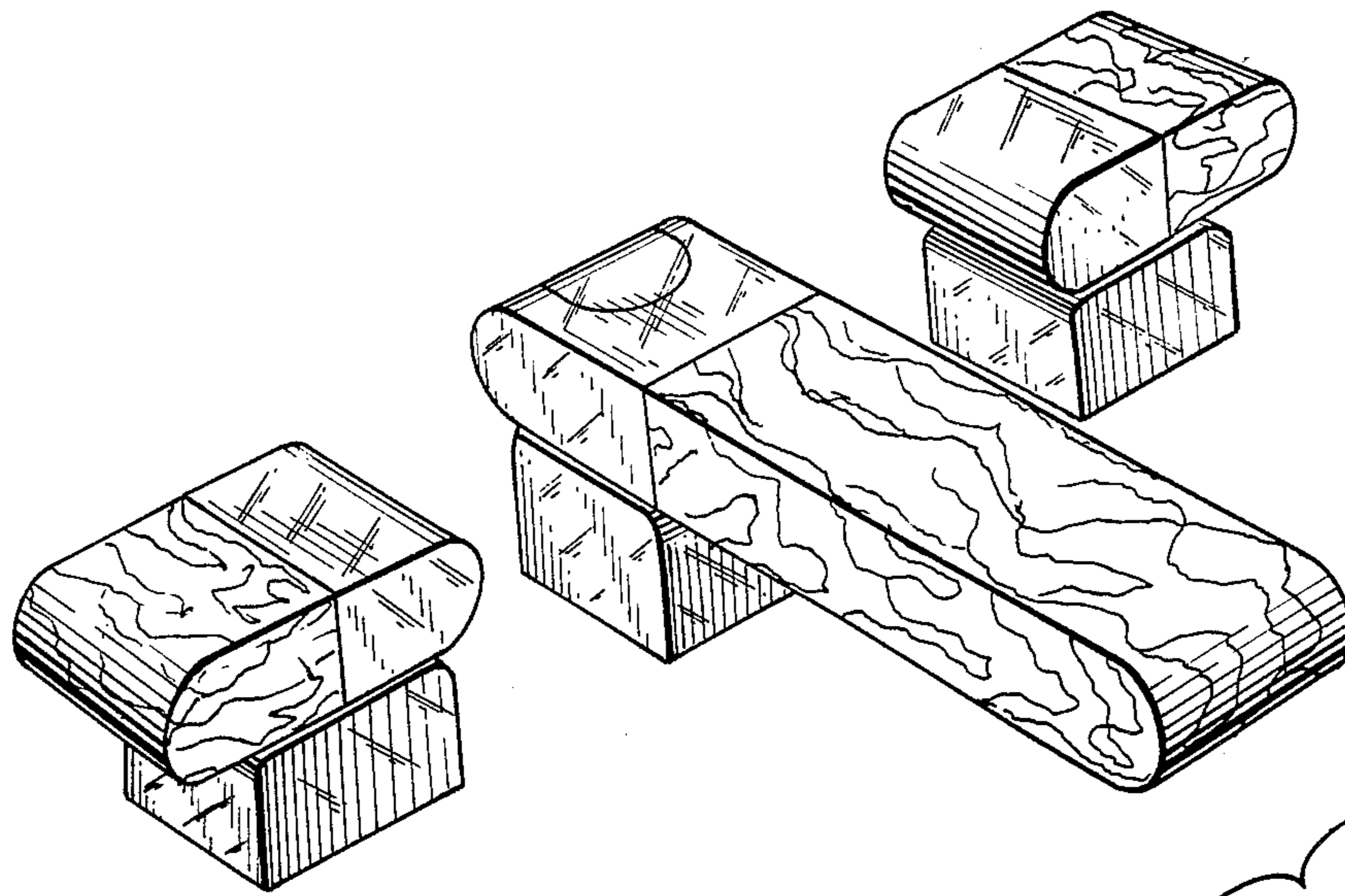


Fig. 1

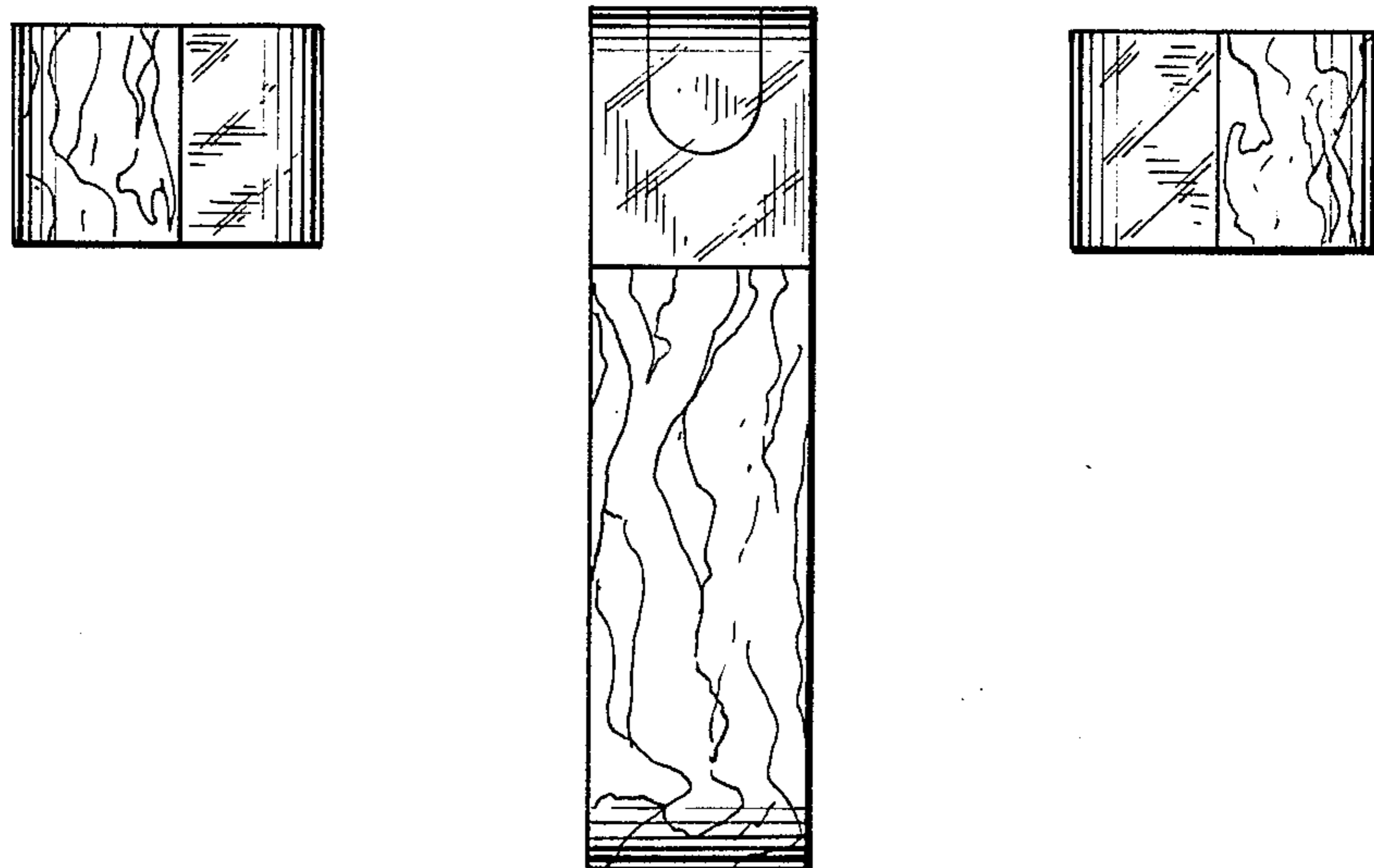


Fig. 2

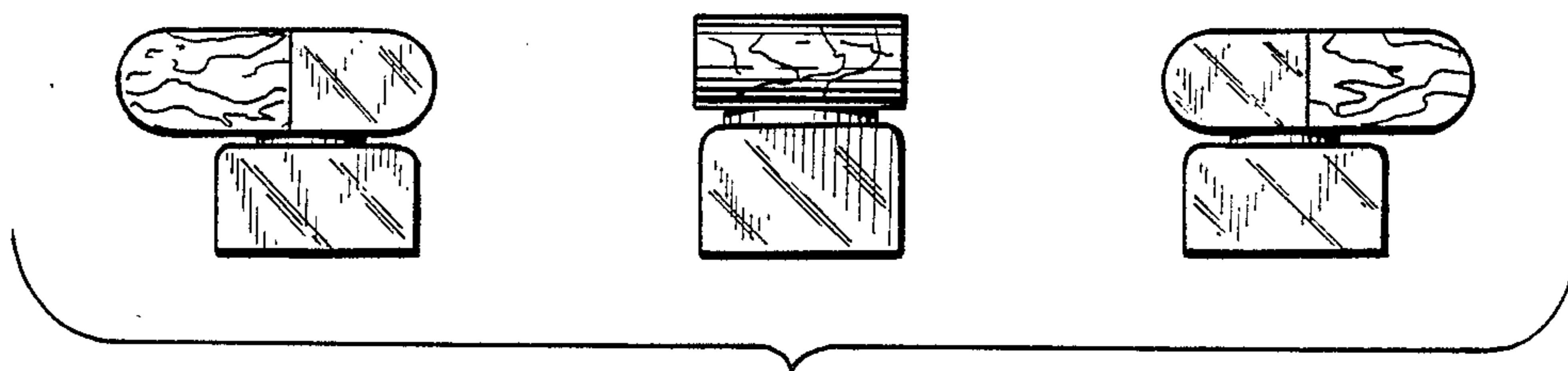


Fig. 3

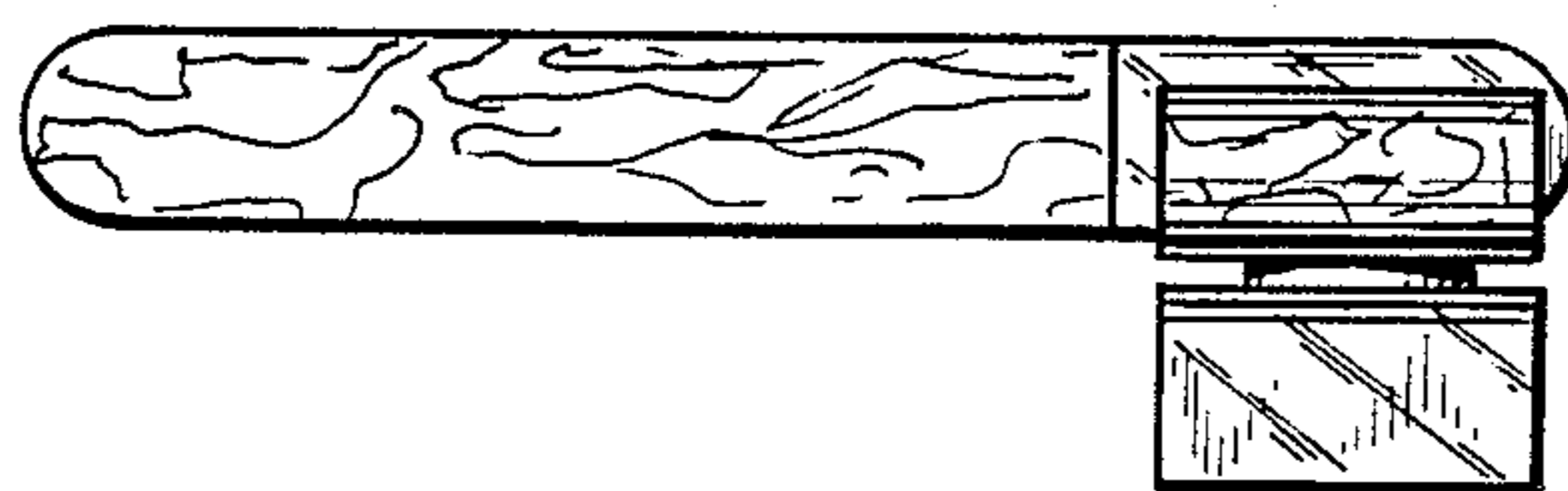


Fig. 4