

[54] **BATHROOM FAUCET**

[75] **Inventor: Joseph Strignano, New York, N.Y.**

[73] **Assignee: I.W. Industries, Melville, N.Y.**

[*] **Notice:** The portion of the term of this patent subsequent to Sep. 25, 2004 has been disclaimed.

[**] **Term: 14 Years**

[21] **Appl. No.: 39,645**

[22] **Filed: Apr. 16, 1987**

[52] **U.S. Cl. D23/241**

[58] **Field of Search D23/238-243;
4/191, 192; 137/801**

[56] **References Cited**

U.S. PATENT DOCUMENTS

D. 265,231	6/1982	Paul	D23/241
D. 271,514	11/1983	Paul	D23/242
D. 278,458	4/1985	Paul	D23/242

D. 279,213	6/1985	Paul	D23/242
D. 290,159	6/1987	Jans	D23/242
D. 290,160	6/1987	Paul	D23/241
D. 290,869	7/1987	Paul	D23/242
D. 290,870	7/1987	Paul	D23/242
D. 290,871	7/1987	Paul	D23/242
D. 299,851	2/1989	Rademacher	D23/241

Primary Examiner—James R. Largen
Attorney, Agent, or Firm—Alfred M. Walker

[57] **CLAIM**

The ornamental design for a bathroom faucet, as shown and described.

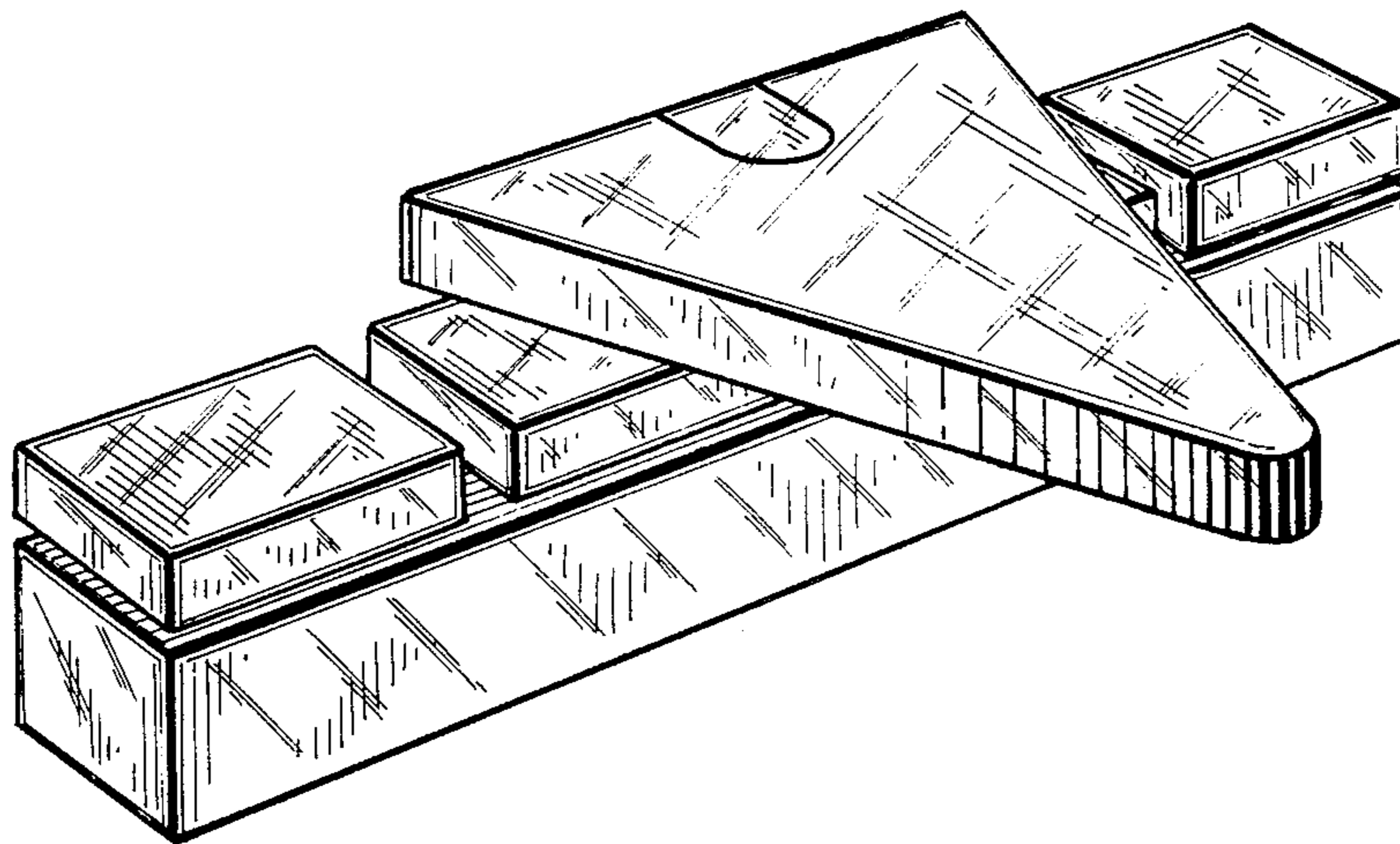
DESCRIPTION

FIG. 1 is a perspective view taken from the top, front and left side of a bathroom faucet showing my new design;

FIG. 2 is a top plan view thereof;

FIG. 3 is a front elevational view thereof; and

FIG. 4 is a left side elevational view thereof, the right side being a mirror image of the left side shown.



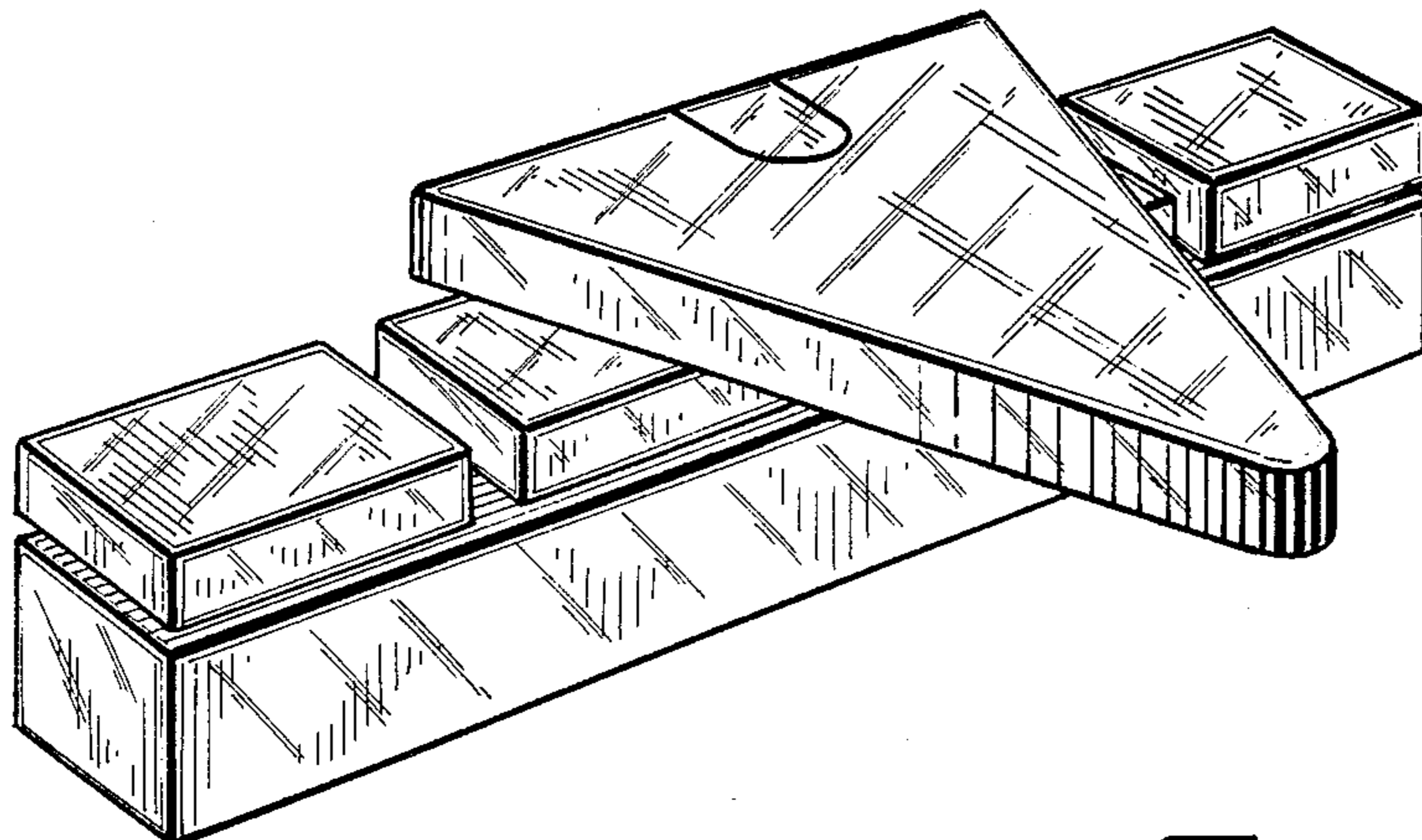


Fig. 1

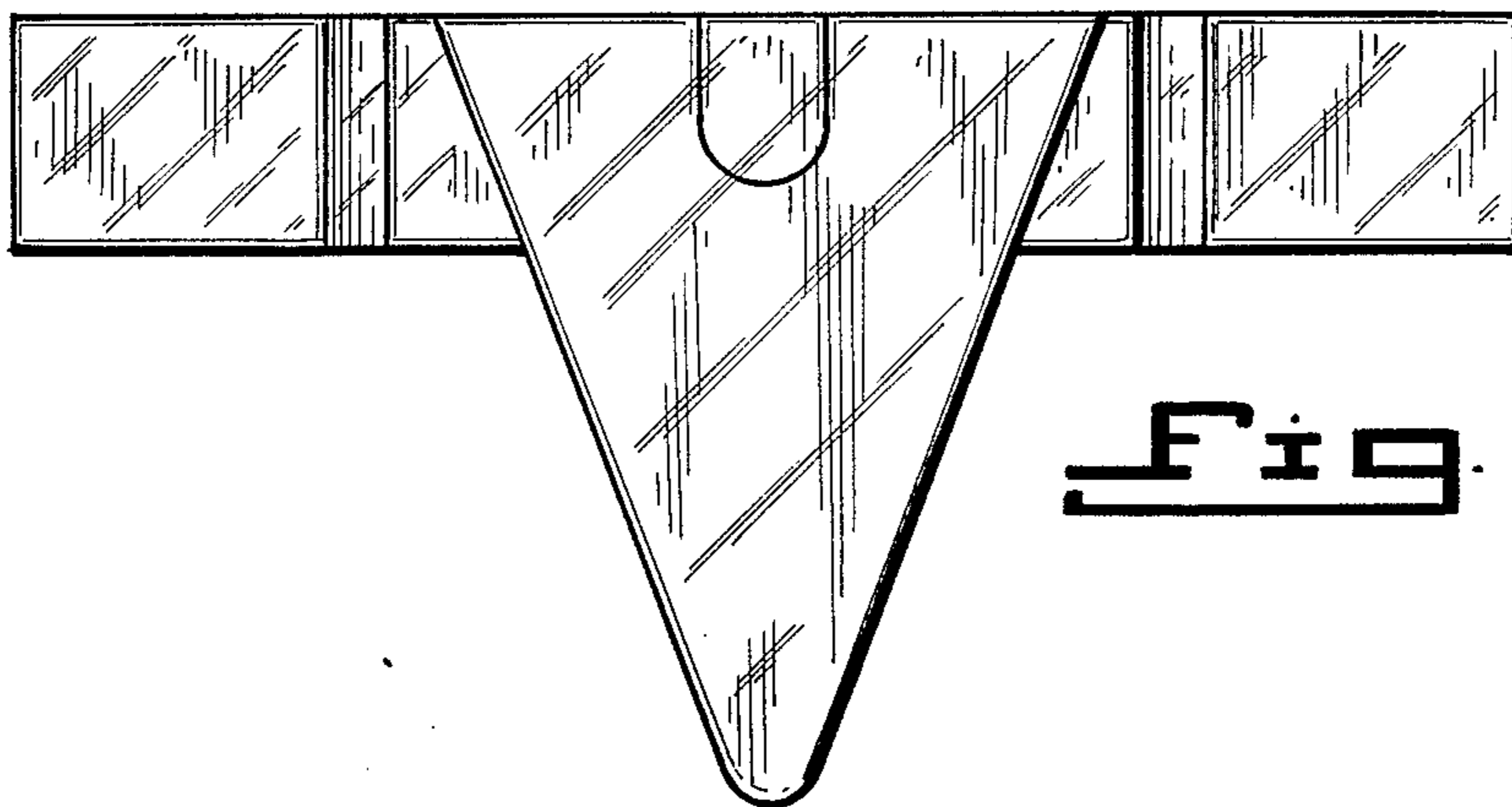
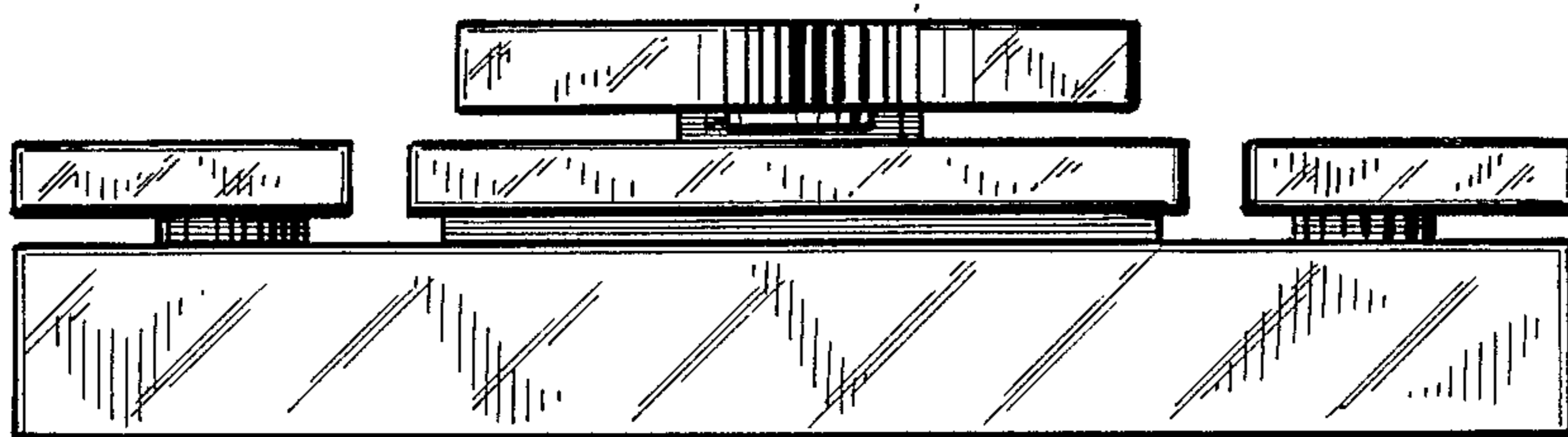


Fig. 2

Fig. 3



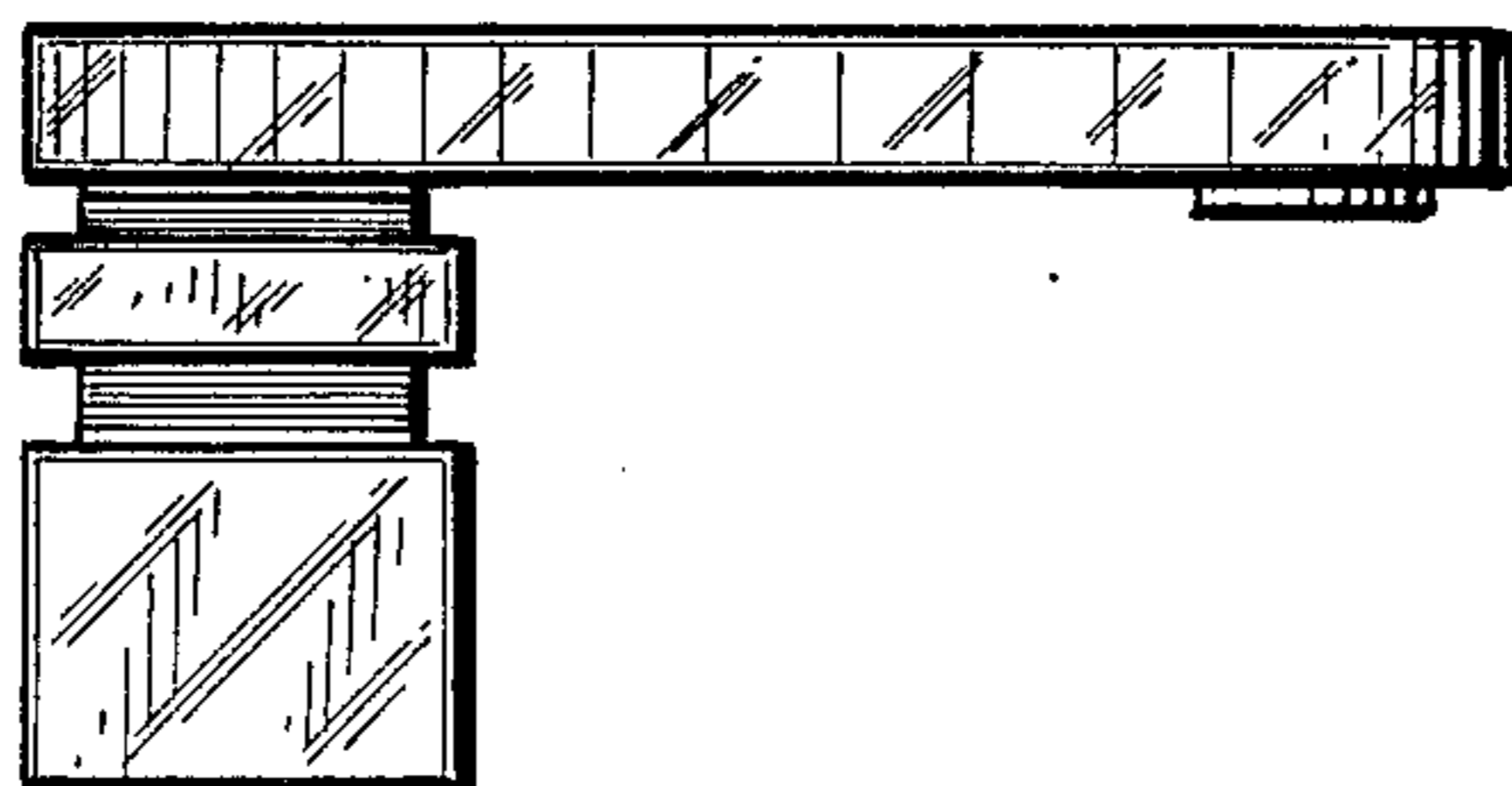


Fig. 4

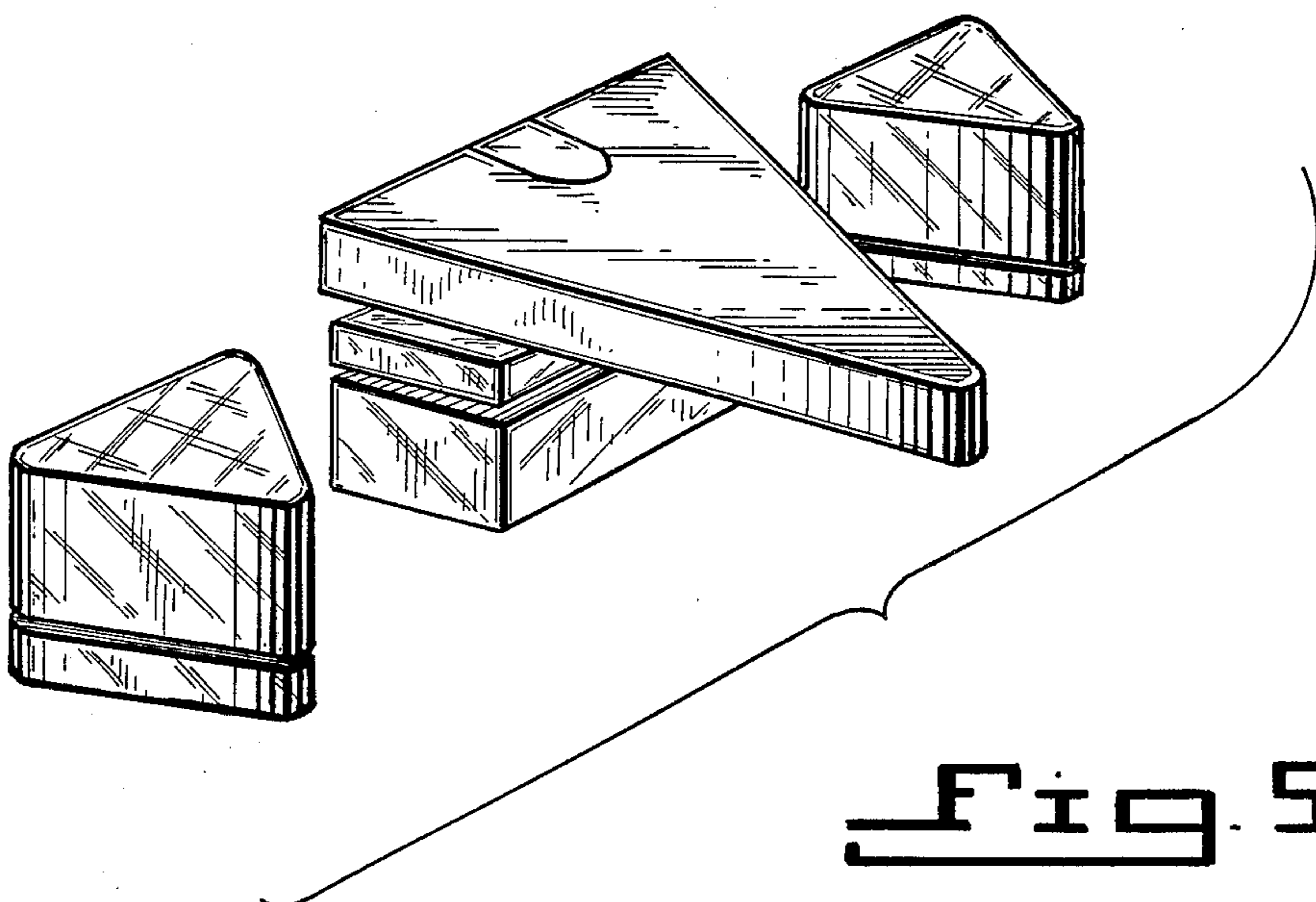


Fig. 5