

[54] **BATHROOM FAUCET**
[75] **Inventor: Joseph Strignano, New York, N.Y.**
[73] **Assignee: I.W. Industries, Melville, N.Y.**
[**] **Term: 14 Years**
[21] **Appl. No.: 39,639**
[22] **Filed: Apr. 16, 1987**
[52] **U.S. Cl. D23/241**
[58] **Field of Search D23/238-243;**
4/191, 192; 137/801

D. 199,610 11/1964 Boyles D23/241
D. 202,407 9/1965 Grasmehr D23/243
D. 202,491 10/1965 Pugliese D23/243
D. 207,045 2/1967 Hurwitz D23/241
D. 265,230 6/1982 Paul D23/241
D. 289,076 3/1987 Paul D23/238

Primary Examiner—James R. Largen
Attorney, Agent, or Firm—Alfred M. Walker

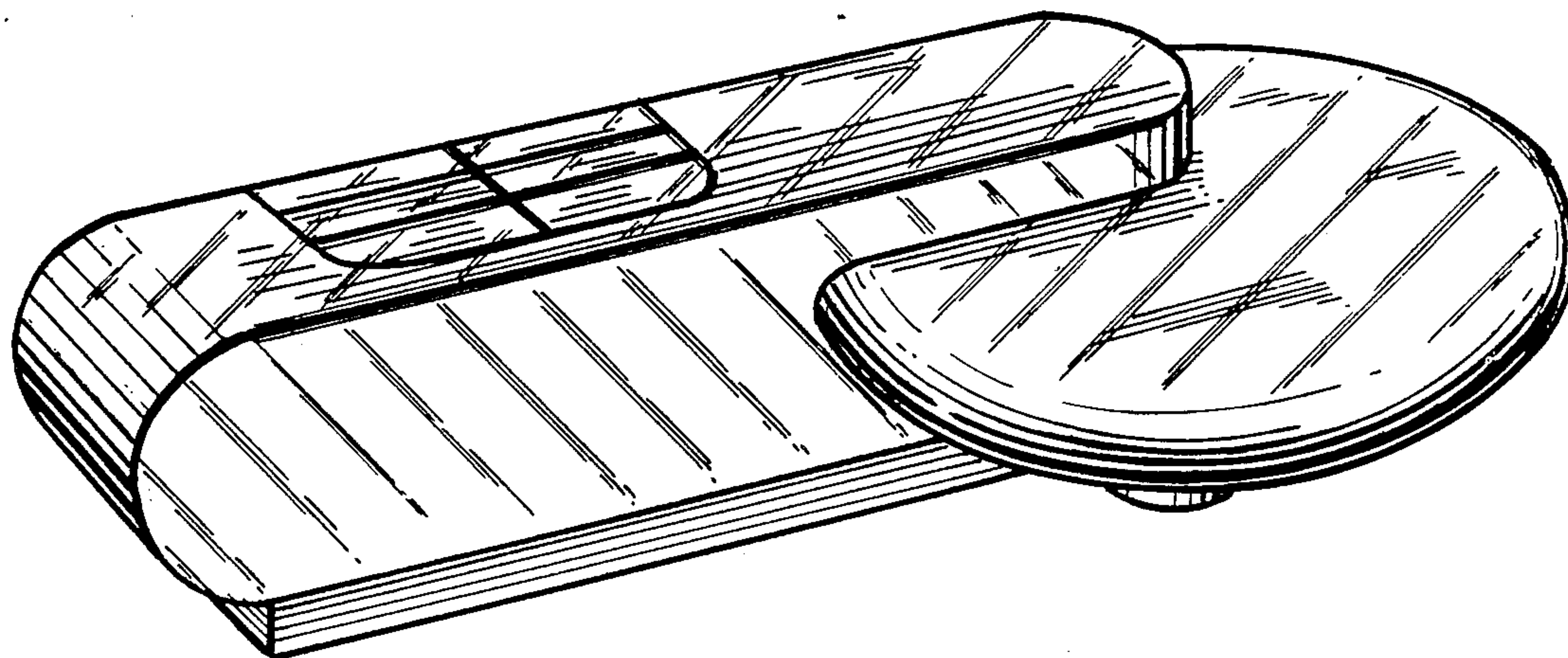
[57] **CLAIM**

The ornamental design for a bathroom faucet, as shown and described.

DESCRIPTION

FIG. 1 is a perspective view taken from the top, front and left side of a bathroom faucet showing my new design;
FIG. 2 is a top plan view thereof;
FIG. 3 is a front elevational view thereof; and
FIG. 4 is a left side elevational view thereof.

[56] **References Cited**
U.S. PATENT DOCUMENTS
D. 149,195 4/1948 Little D23/243
D. 163,598 6/1951 Hall D23/241
D. 193,417 8/1962 Moore D23/239
D. 193,648 9/1962 Moore D23/239



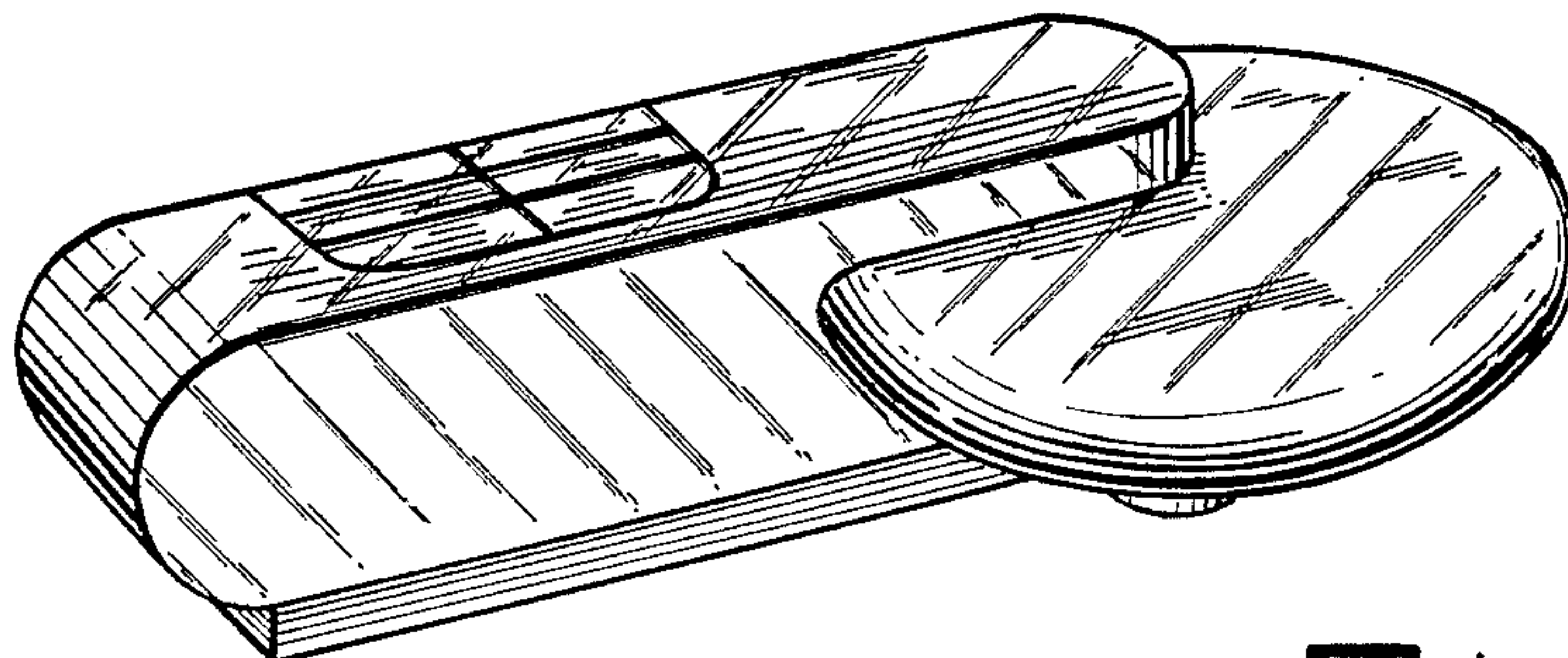


Fig. 1

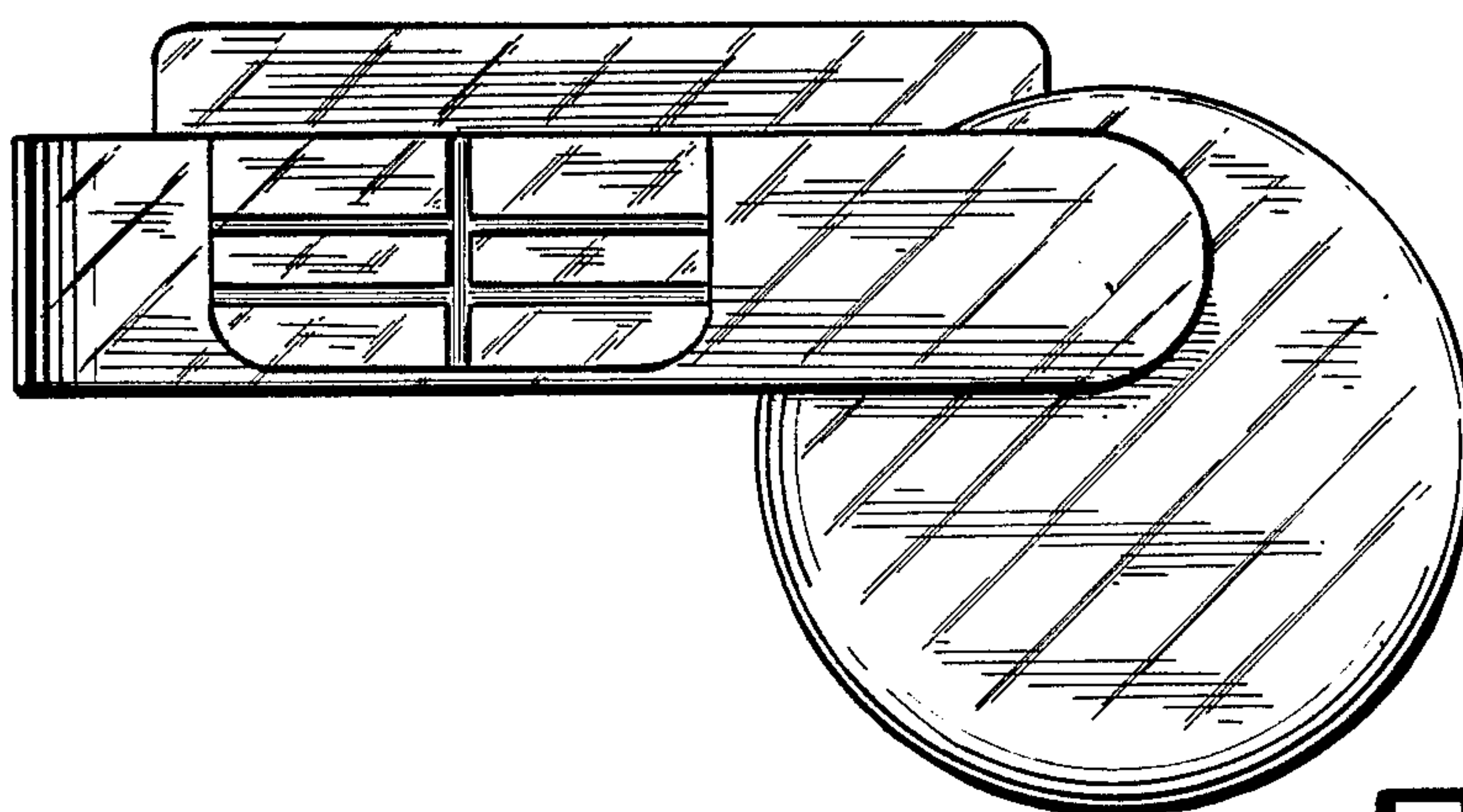


Fig. 2

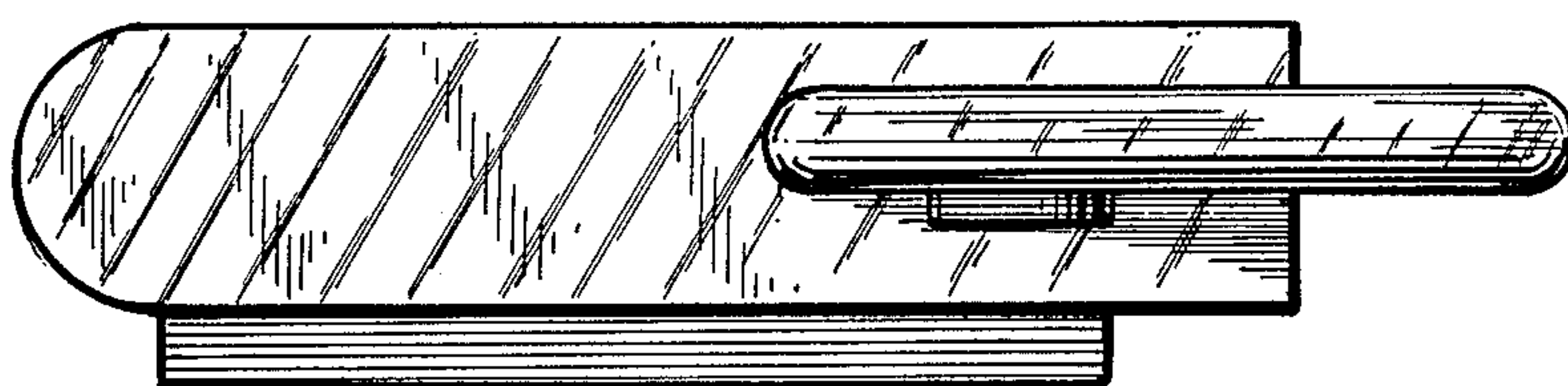


Fig. 3

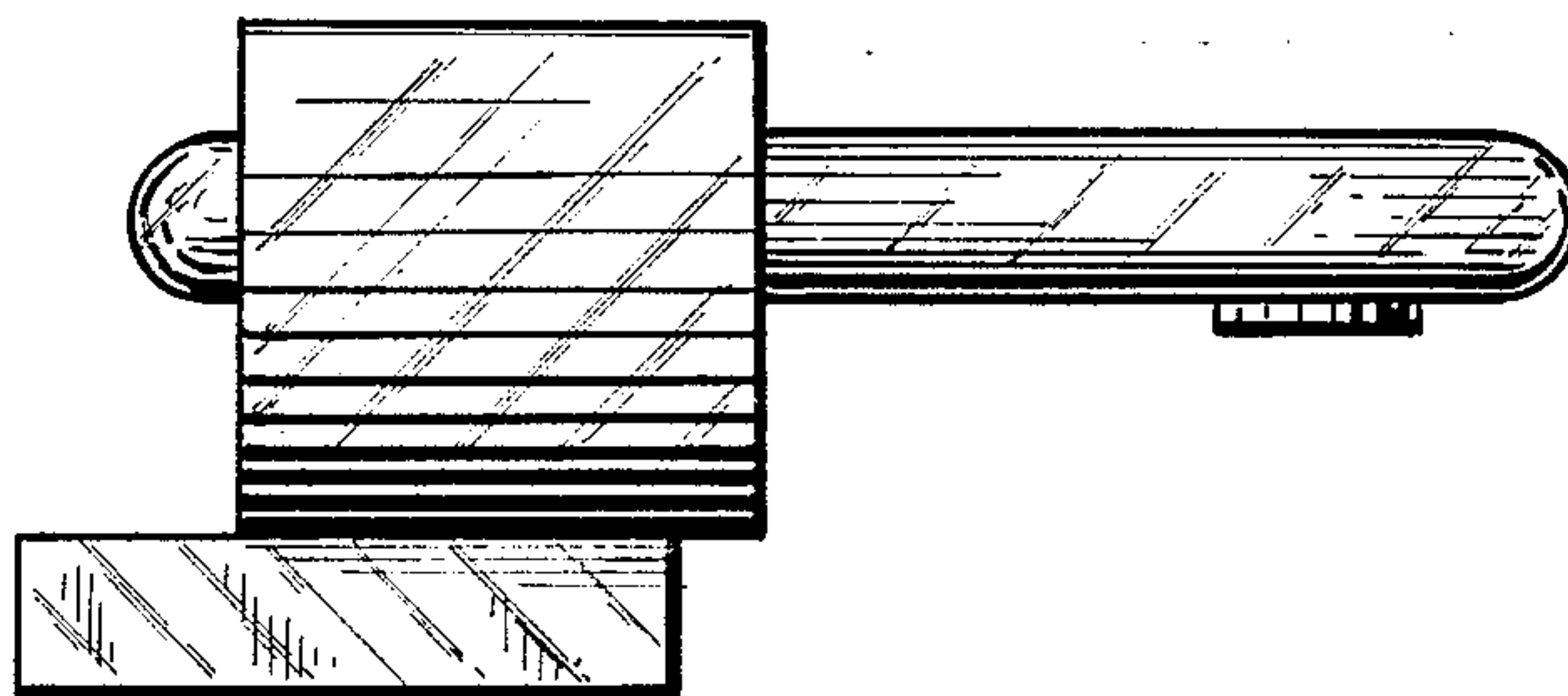


Fig. 4