

[54] **SIMULATIVE ROCKER**

[76] Inventors: **John G. Freiberger, Jr.**, 4722 Trade Winds Dr. South; **Kelly M. Allen**, 2825 53rd St., South, both of Gulfport, Fla. 33707

[**] Term: **14 Years**

[21] Appl. No.: **241,145**

[22] Filed: **Sep. 7, 1988**

[52] U.S. Cl. **D21/69; D21/160**

[58] Field of Search **D21/667, 70, 73-76, D21/157, 160; D6/344, 345, 351; 272/52, 52.15**

[56] **References Cited**

U.S. PATENT DOCUMENTS

D. 57,558 4/1921 Webb D21/70

D. 146,894	6/1947	Bellville	D21/69
D. 169,466	4/1953	White	D21/69
D. 190,287	5/1961	Peltier	D21/69
D. 193,350	8/1962	Del Mar	D21/70
D. 215,064	8/1969	Wormser	D21/74

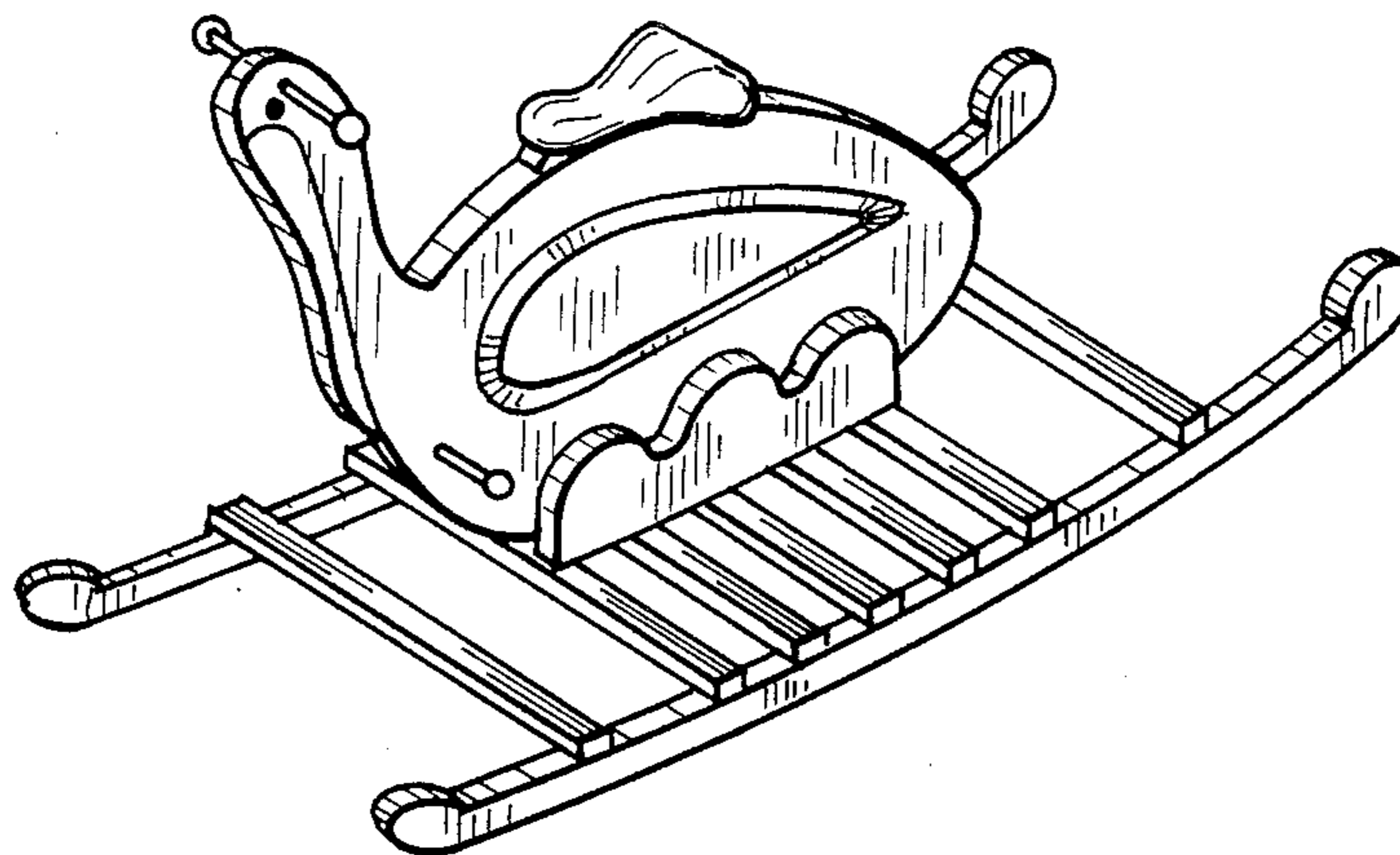
Primary Examiner—Charles A. Rademaker

[57] **CLAIM**

The ornamental design for a simulative rocker, as shown and described.

DESCRIPTION

FIG. 1 is a side elevational view of a simulative rocker showing our new design; FIG. 2 is a front perspective view thereof; FIG. 3 is a rear perspective view thereof; FIG. 4 is a top plan view thereof; and FIG. 5 is a top, rear perspective view thereof.



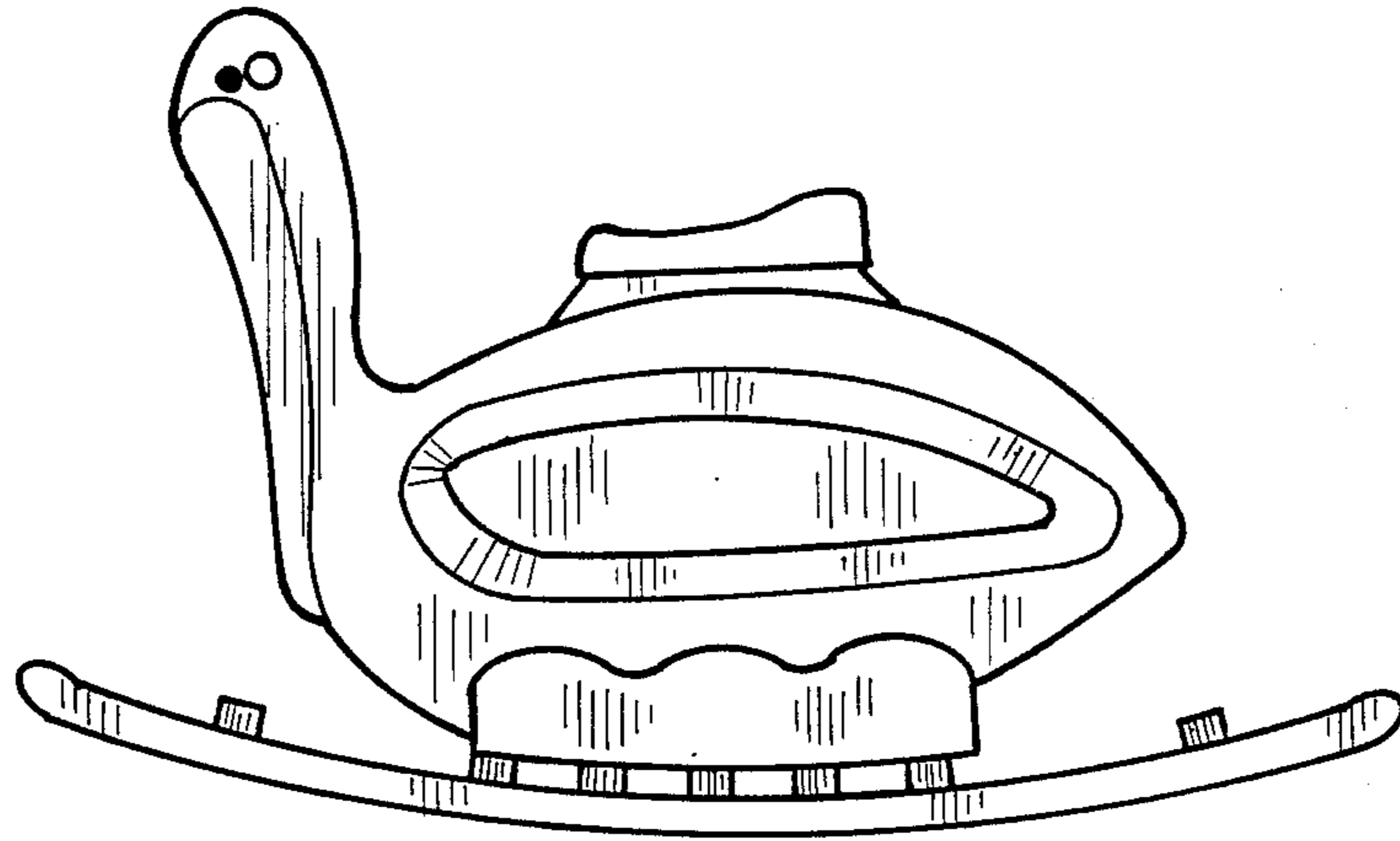


FIG. 1

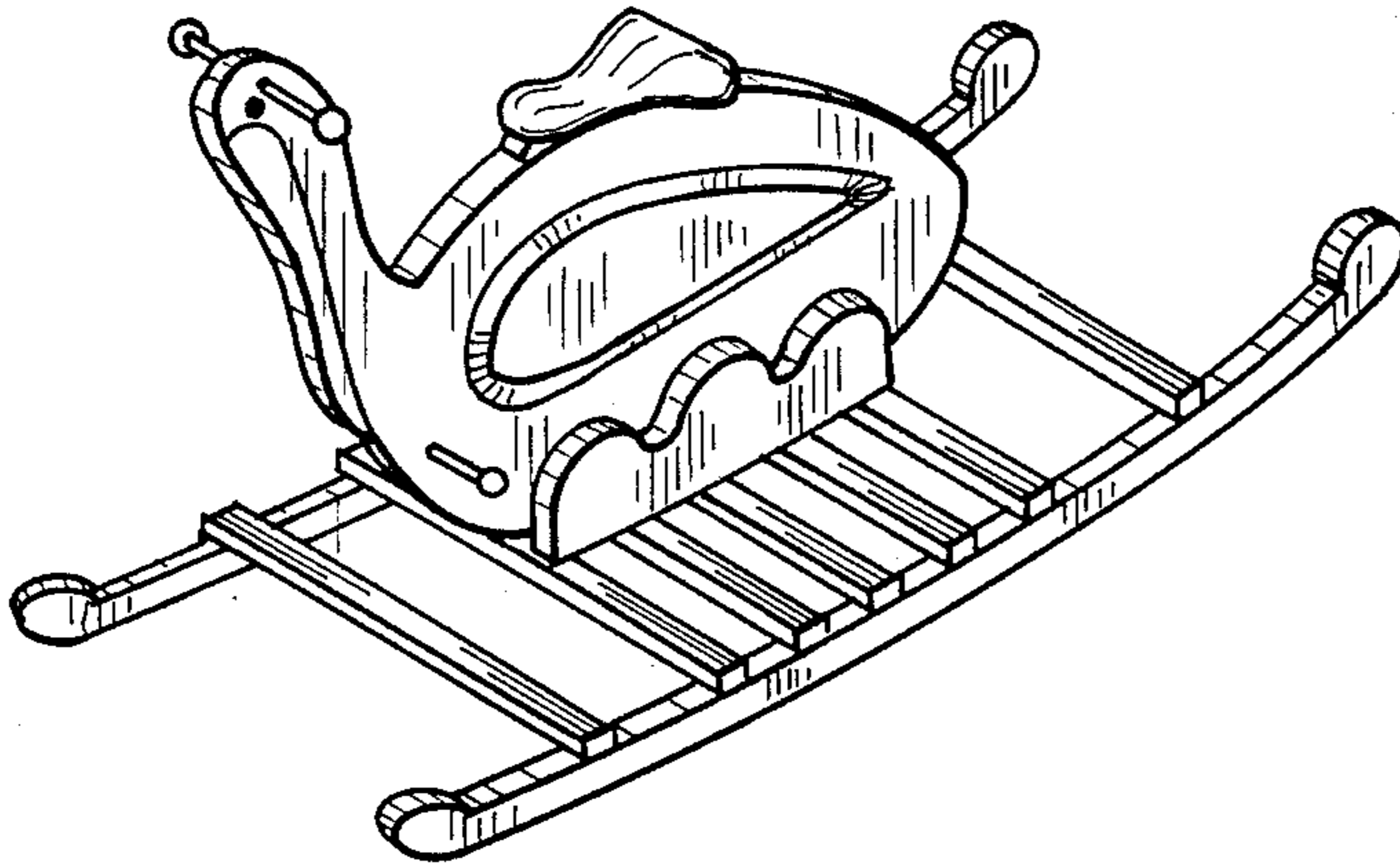
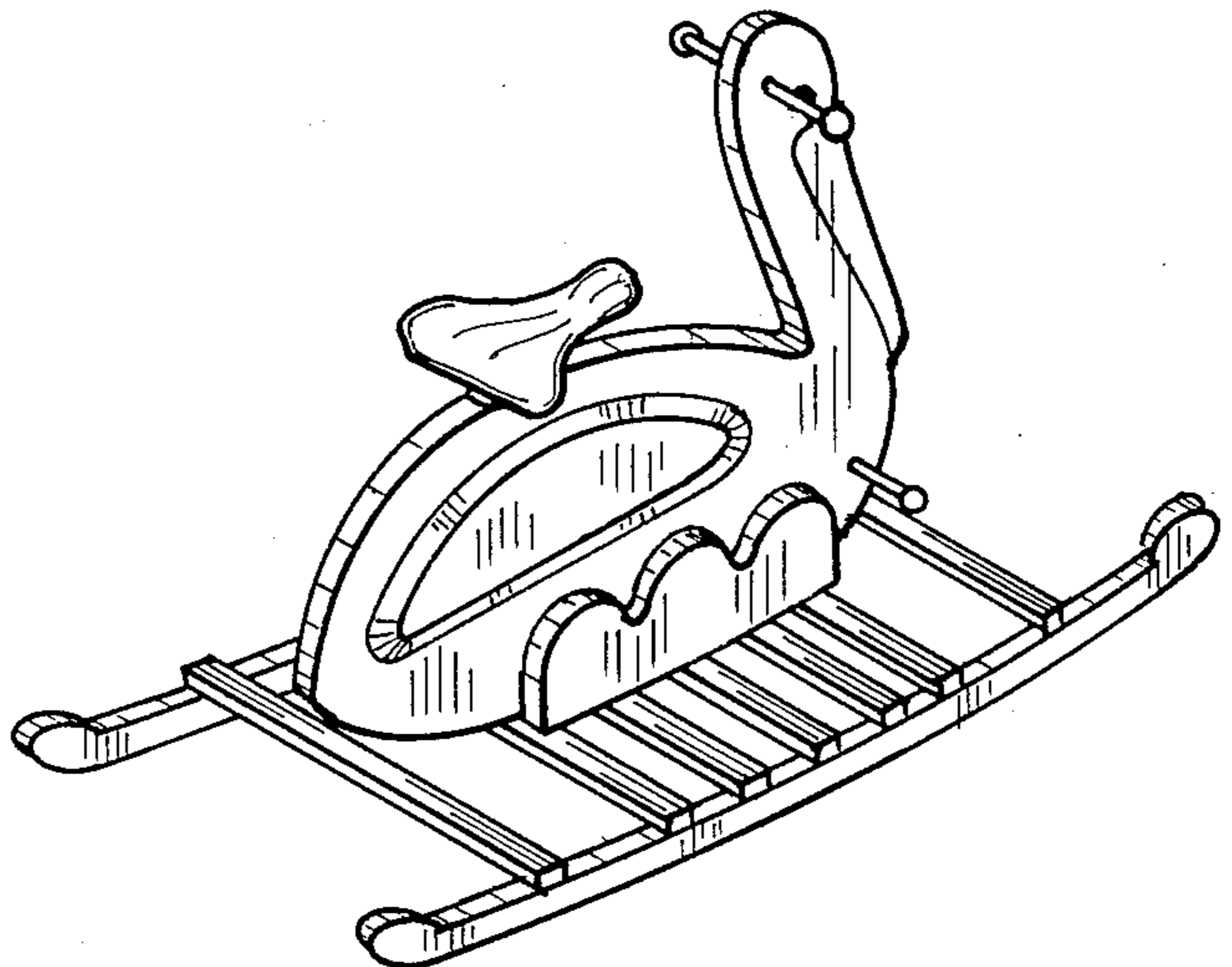


FIG. 2

FIG. 3



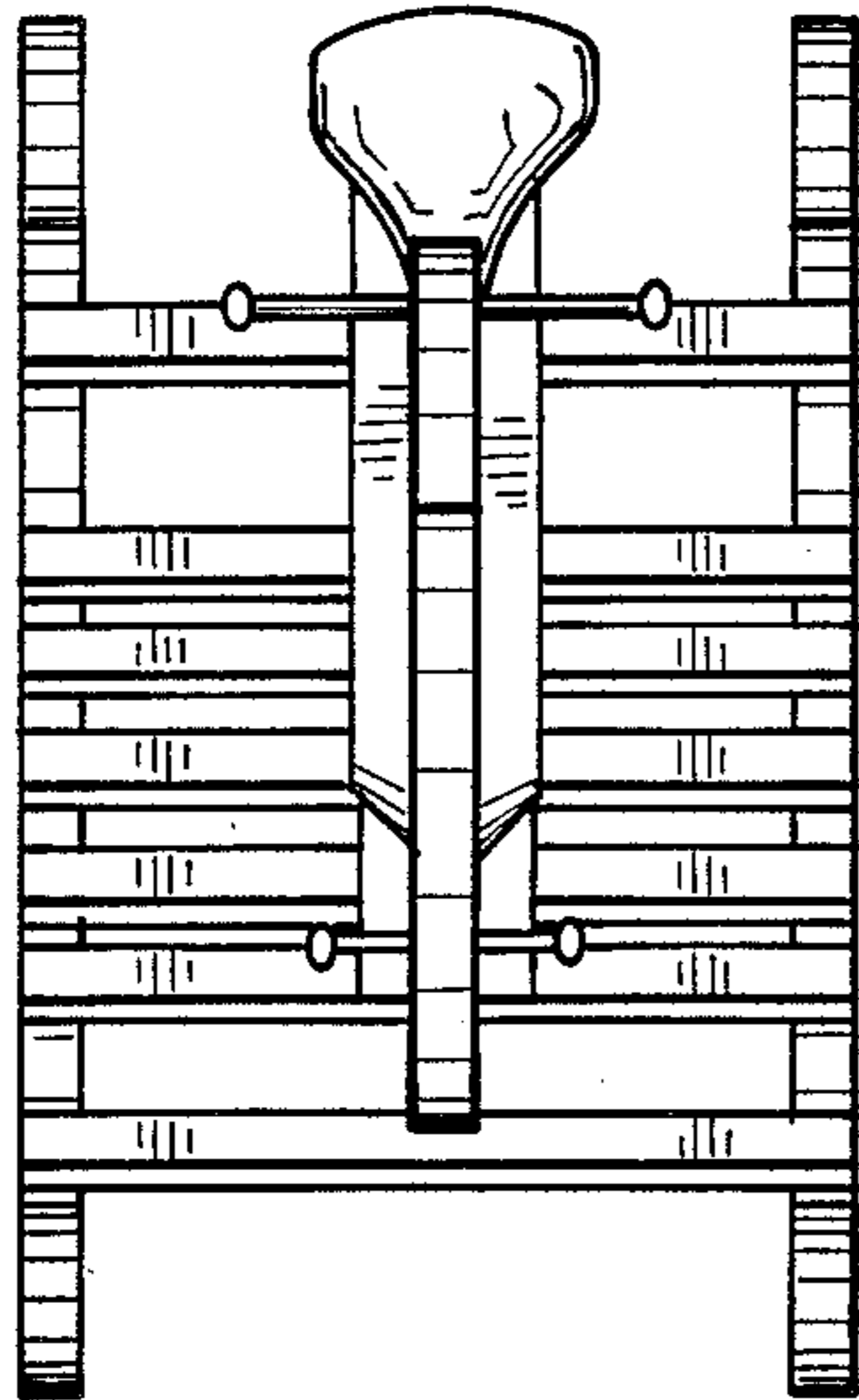


FIG. 4

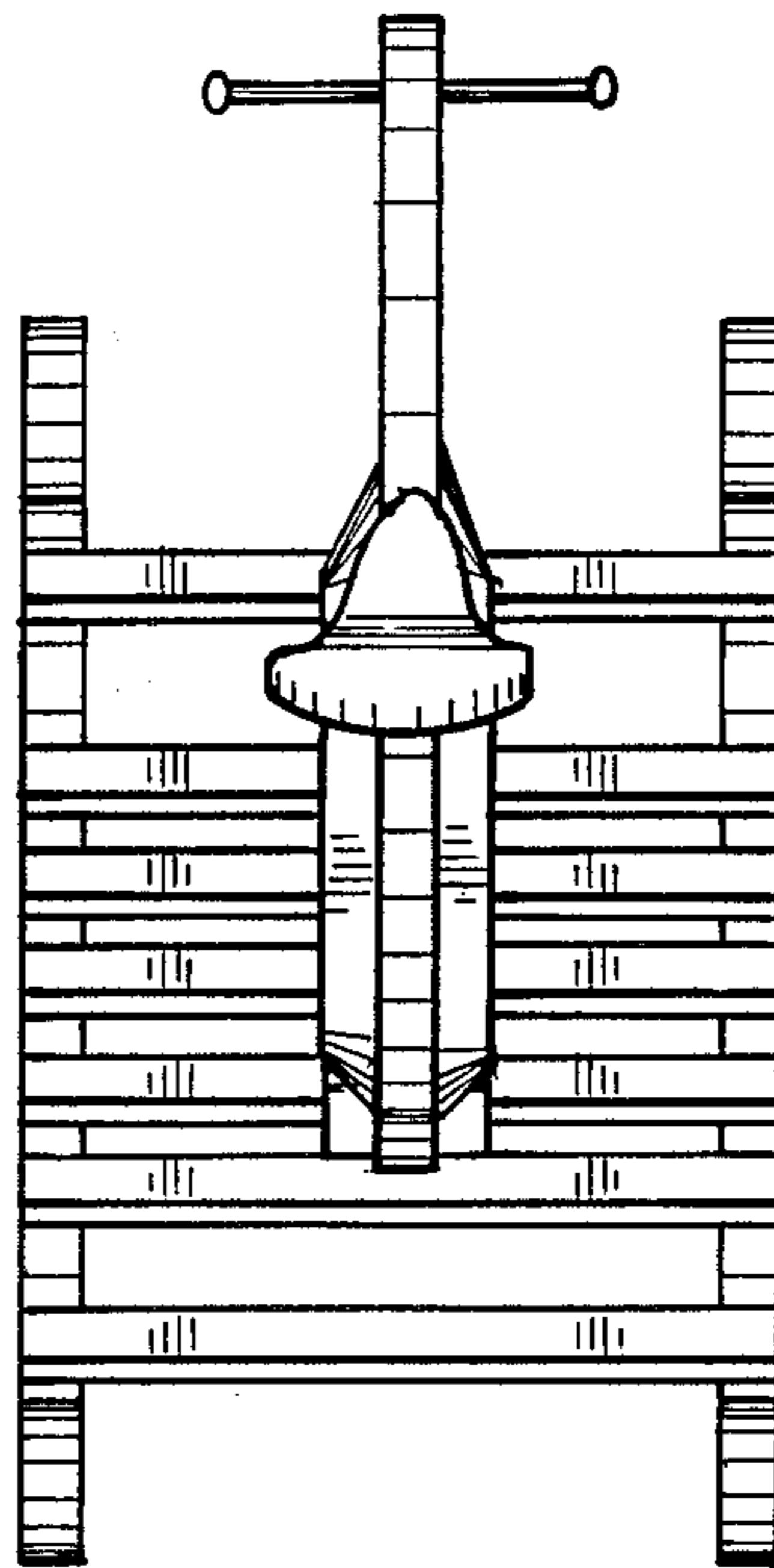


FIG. 5