

[54] **COMBINED SET OF CONTAINERS AND WALL MOUNTED HANGING UNIT THEREFOR**

4,039,080 8/1977 Cappuccilli ..... 206/534  
 4,160,570 7/1979 Bridges ..... 312/245  
 4,473,156 9/1984 Martin ..... 206/534  
 4,749,085 6/1988 Denney ..... 206/534

[76] **Inventor: Richard D. Perbix, 410 Comstock La., Plymouth, Minn. 55447**

*Primary Examiner*—Wallace R. Burke  
*Assistant Examiner*—Marcus Jackson  
*Attorney, Agent, or Firm*—Vidas & Arrett

[\*\*] **Term: 14 Years**

[57] **CLAIM**

[21] **Appl. No.: 144,083**

The ornamental design for a combined set of containers and wall mounted hanging unit therefor, as shown and described.

[22] **Filed: Jan. 15, 1988**

[52] **U.S. Cl. .... D20/18**

[58] **Field of Search ..... D20/10, 18; 40/107, 40/312; 220/21, 41; 206/42, 534, 459, 538, 561, 528, 534.1, 828; 116/308**

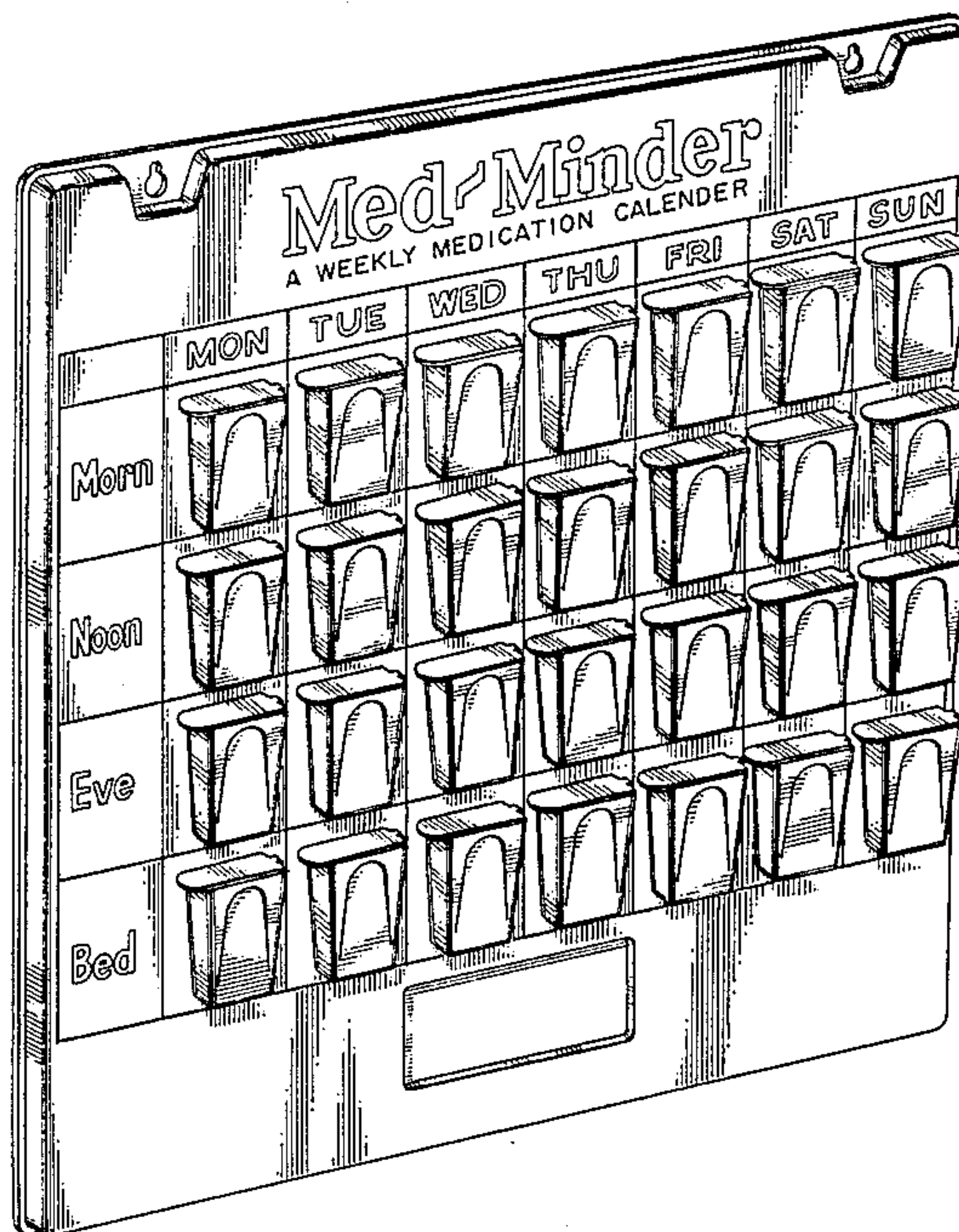
**DESCRIPTION**

FIG 1 is a front perspective view of a combined set of containers and wall mounted hanging unit;  
 FIG. 2 is a rear perspective view of FIG. 1;  
 FIG. 3 is a front perspective view of one of the containers shown in open condition and shown separately for clarity of illustration only;  
 FIG. 4 is a rear perspective view thereof as shown in FIG. 3;  
 FIG 5 is a front perspective view thereof shown in closed condition;  
 FIG. 6 is a rear perspective view thereof as shown in FIG. 5;  
 FIG. 7 is a front perspective view of the wall mounted hanging unit shown separately for clarity of illustration only; and  
 FIG. 8 is a rear perspective view of FIG. 7.

[56] **References Cited**

**U.S. PATENT DOCUMENTS**

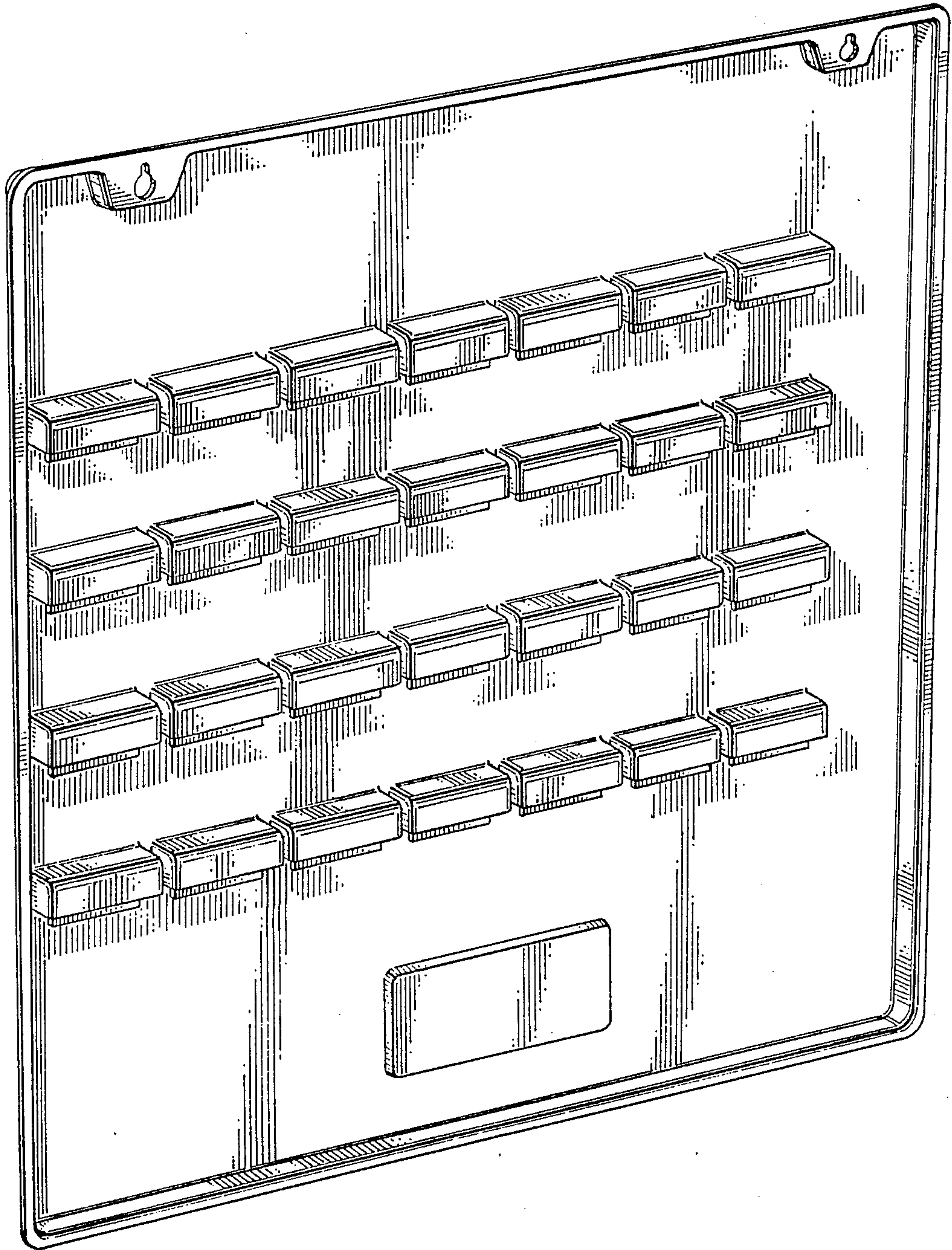
39,952	9/1863	Perot .	
42,943	5/1964	Hance .	
D. 271,431	11/1983	Seelig .....	D28/64
D. 281,176	10/1985	Sukovich .....	D20/18
367,789	8/1987	Cutler .	
577,346	2/1897	Bjorkman .	
2,774,470	12/1956	Q'Part .....	206/534.2
3,225,913	12/1965	Lee .....	206/534
3,228,010	10/1966	Katz .....	40/107
3,537,422	11/1970	Moe .....	116/121
3,712,696	1/1973	McDonnell .....	312/253
3,900,059	8/1975	Kirk et al. ....	150/1



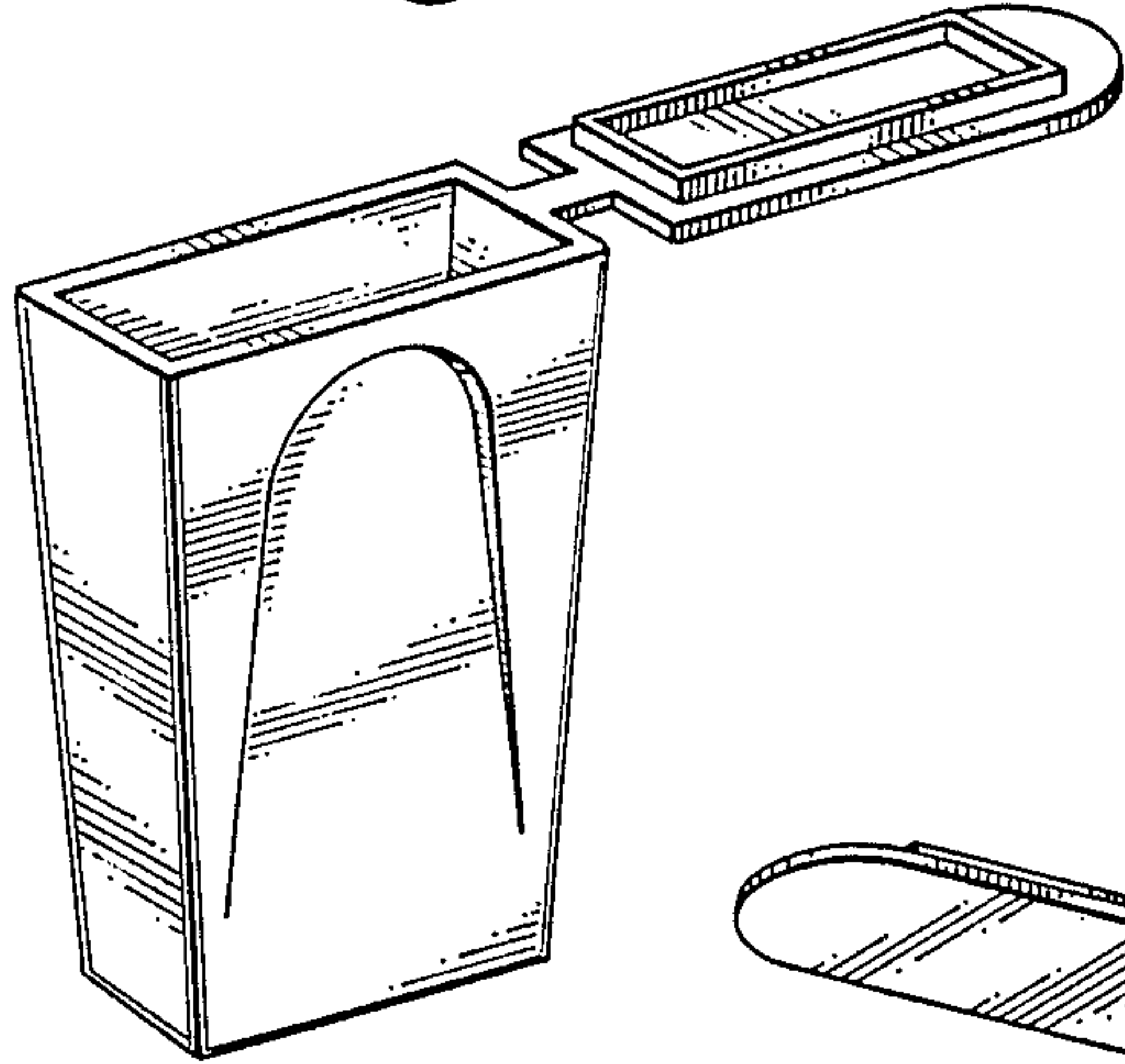




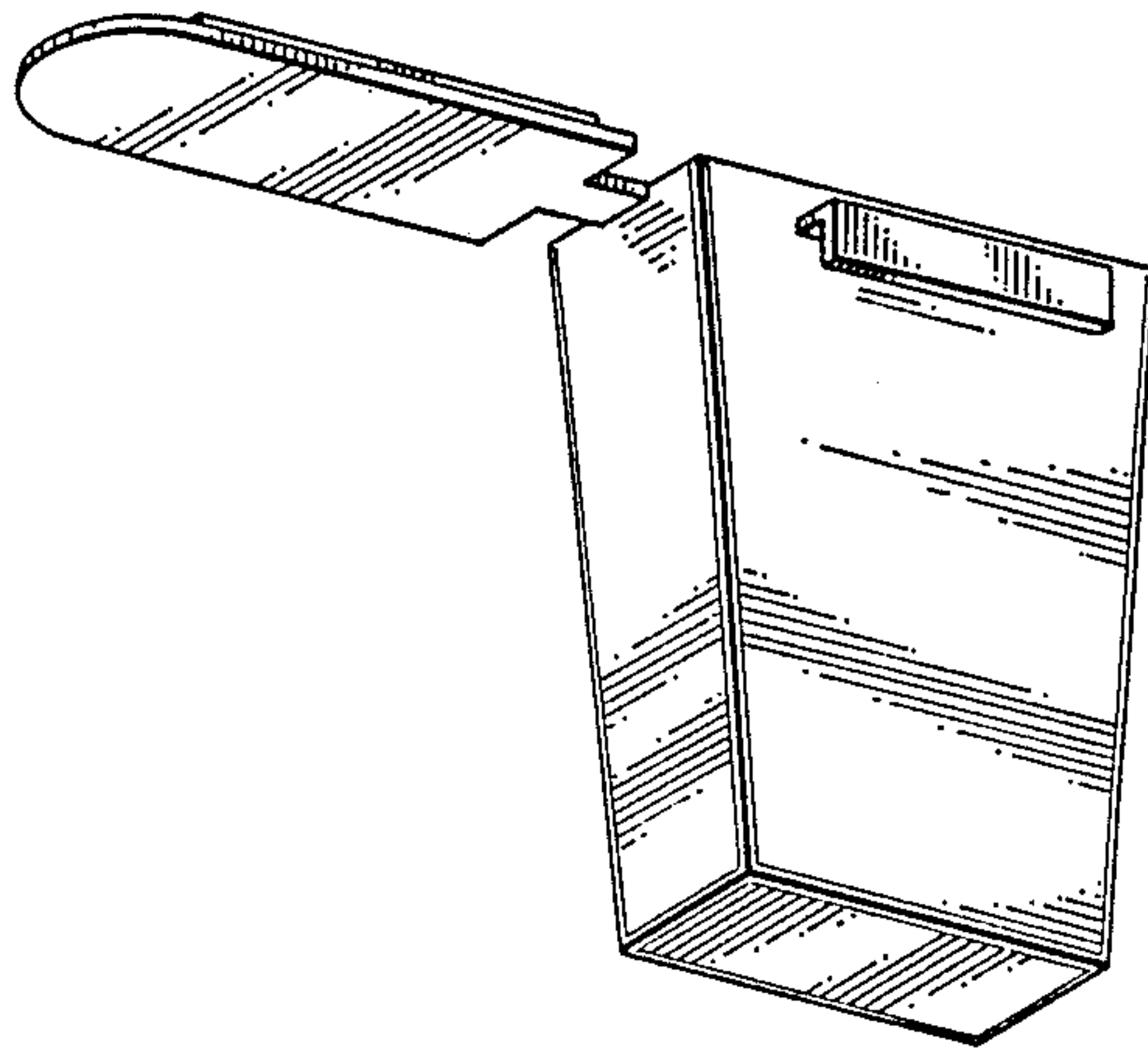
*Fig. 2*



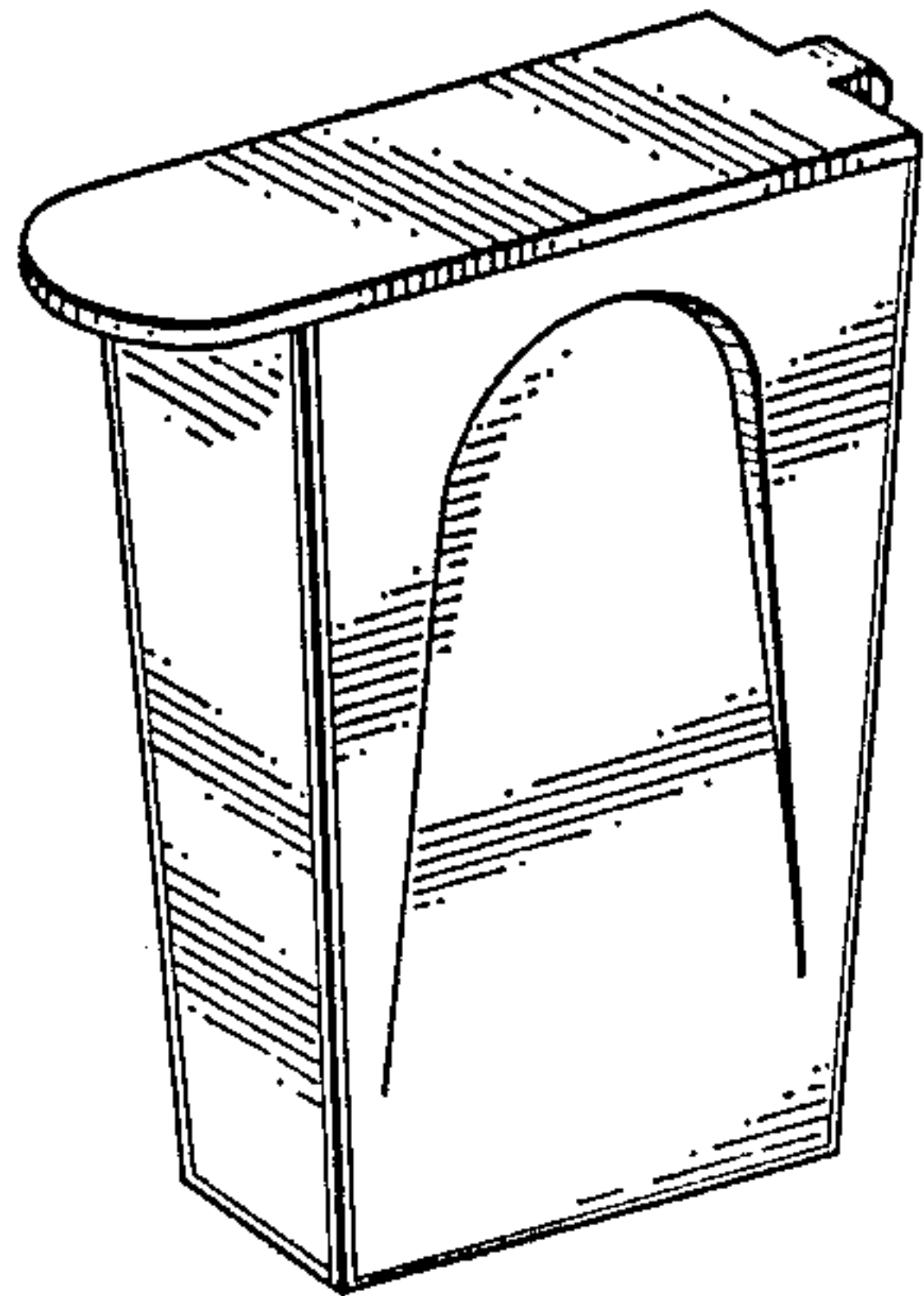
**Fig. 3**



**Fig. 4**



**Fig. 5**



**Fig. 6**

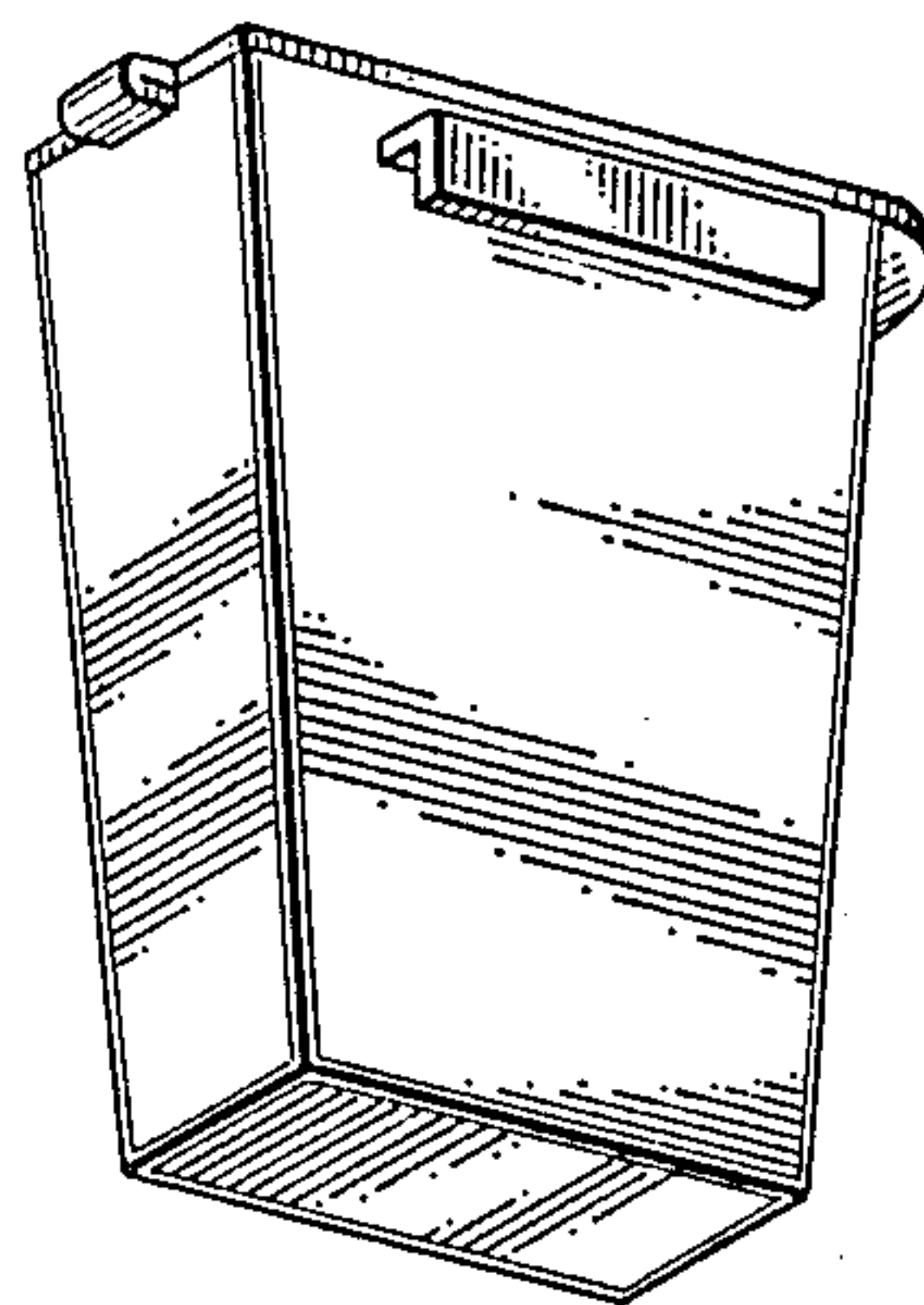
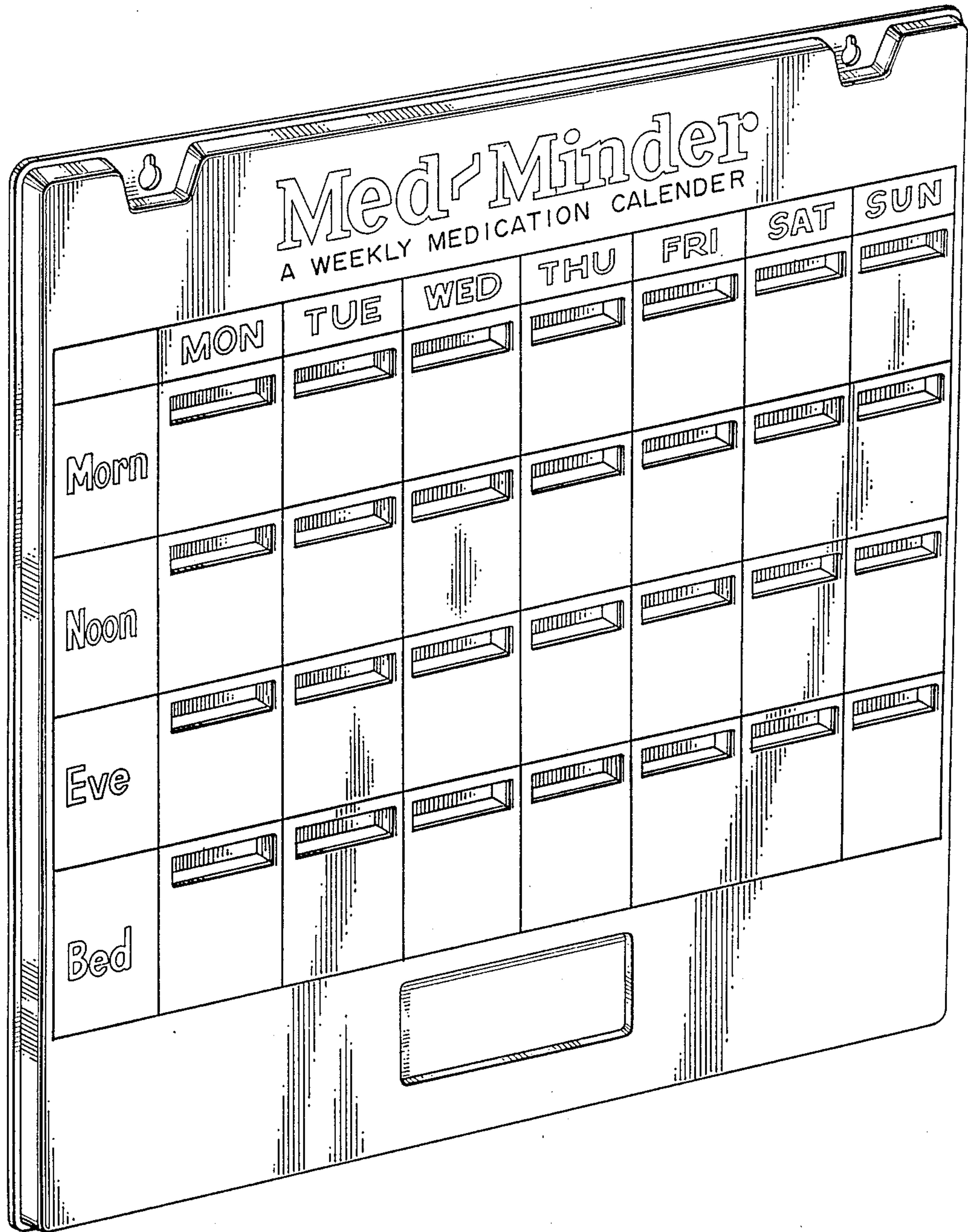


Fig. 7





**Fig. 8**

