

[54] SORTER FOR COPYING MACHINE

[75] Inventors: Mikio Kosako; Ritsuko Makihara; Yoichi Tatsuta, all of Osaka, Japan

[73] Assignee: Sharp Corporation, Osaka, Japan

[**] Term: 14 Years

[21] Appl. No.: 40,235

[22] Filed: Apr. 20, 1987

[30] Foreign Application Priority Data

Oct. 20, 1986 [JP] Japan 61-41608

[52] U.S. Cl. D18/42

[58] Field of Search D18/36-44; D14/110-114; 271/278, 287, 293; 355/322, 323

[56] References Cited

U.S. PATENT DOCUMENTS

- D. 270,253 8/1983 Du Bois et al. D18/36
- D. 271,775 12/1983 Du Bois et al. D18/36
- D. 271,882 12/1983 Du Bois et al. D18/42

- D. 280,636 9/1985 Hara et al. D18/42
- D. 286,409 10/1986 Kosako et al. D18/42
- D. 293,800 1/1988 Imai D18/42
- 4,332,377 6/1982 Du Bois et al. 271/293

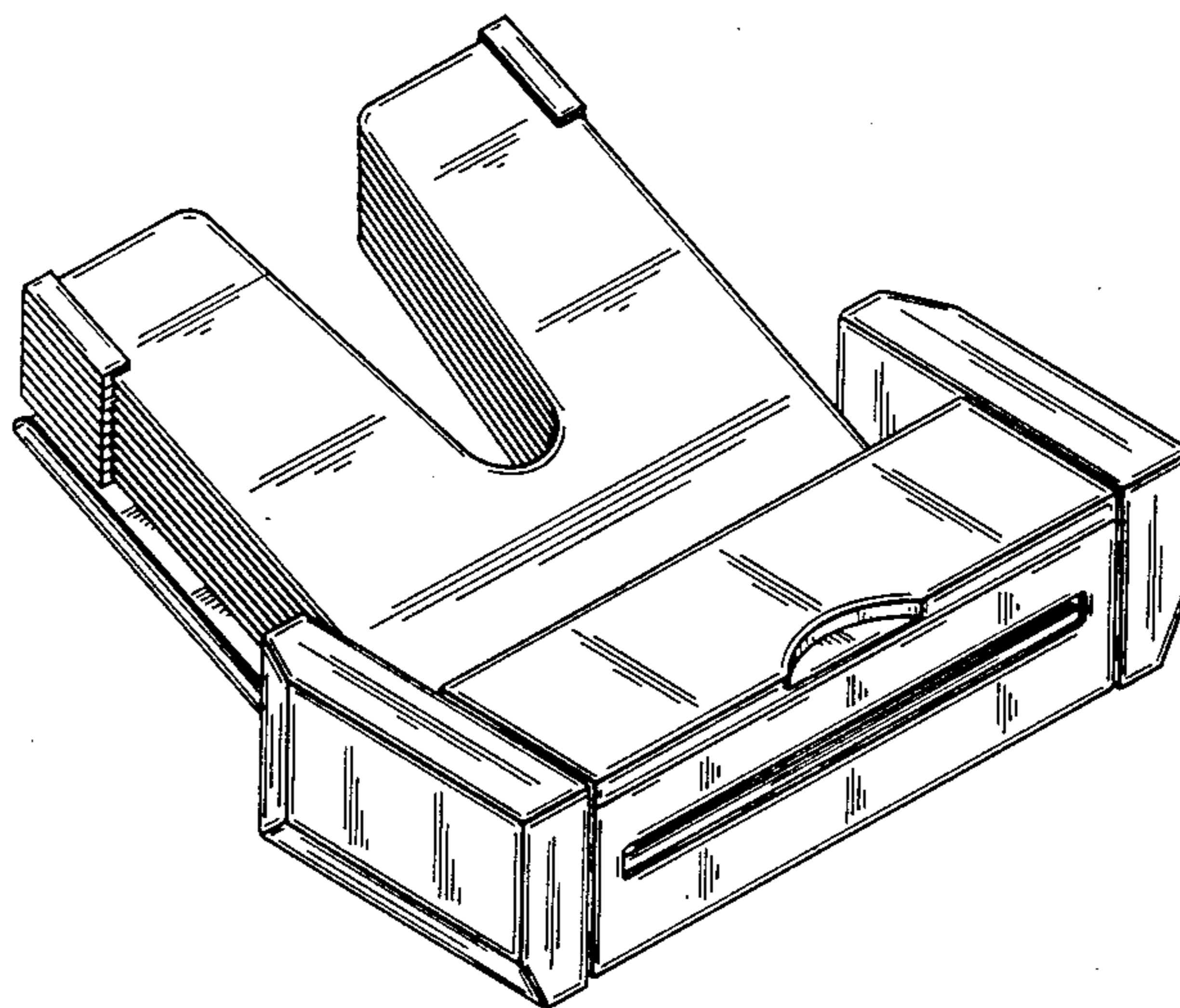
Primary Examiner—Nelson C. Holtje
Assistant Examiner—Caron D. Veynar
Attorney, Agent, or Firm—Flehr, Hohbach, Test Albritton & Herbert

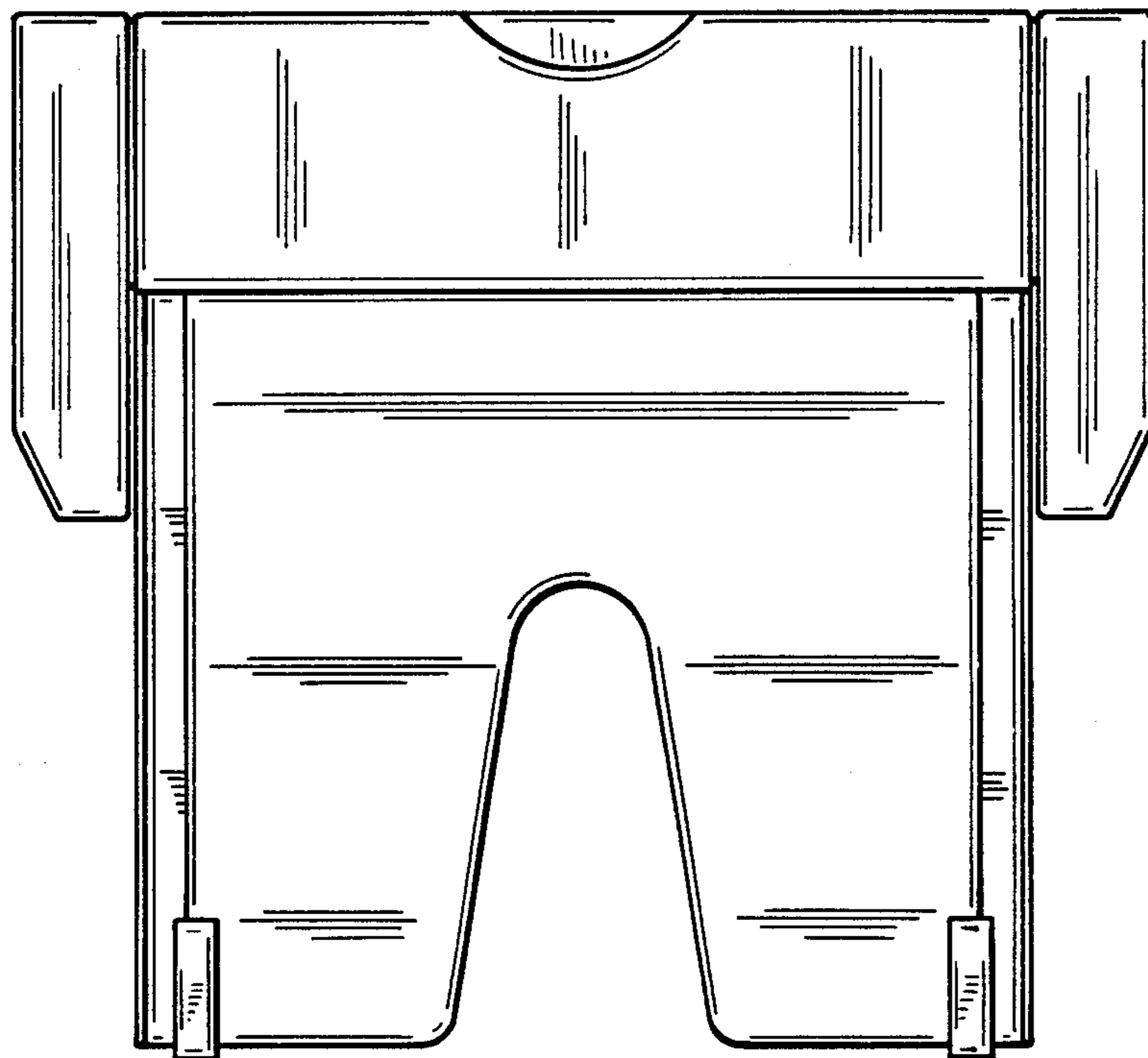
[57] CLAIM

The ornamental design for a sorter for copying machine, as shown and described.

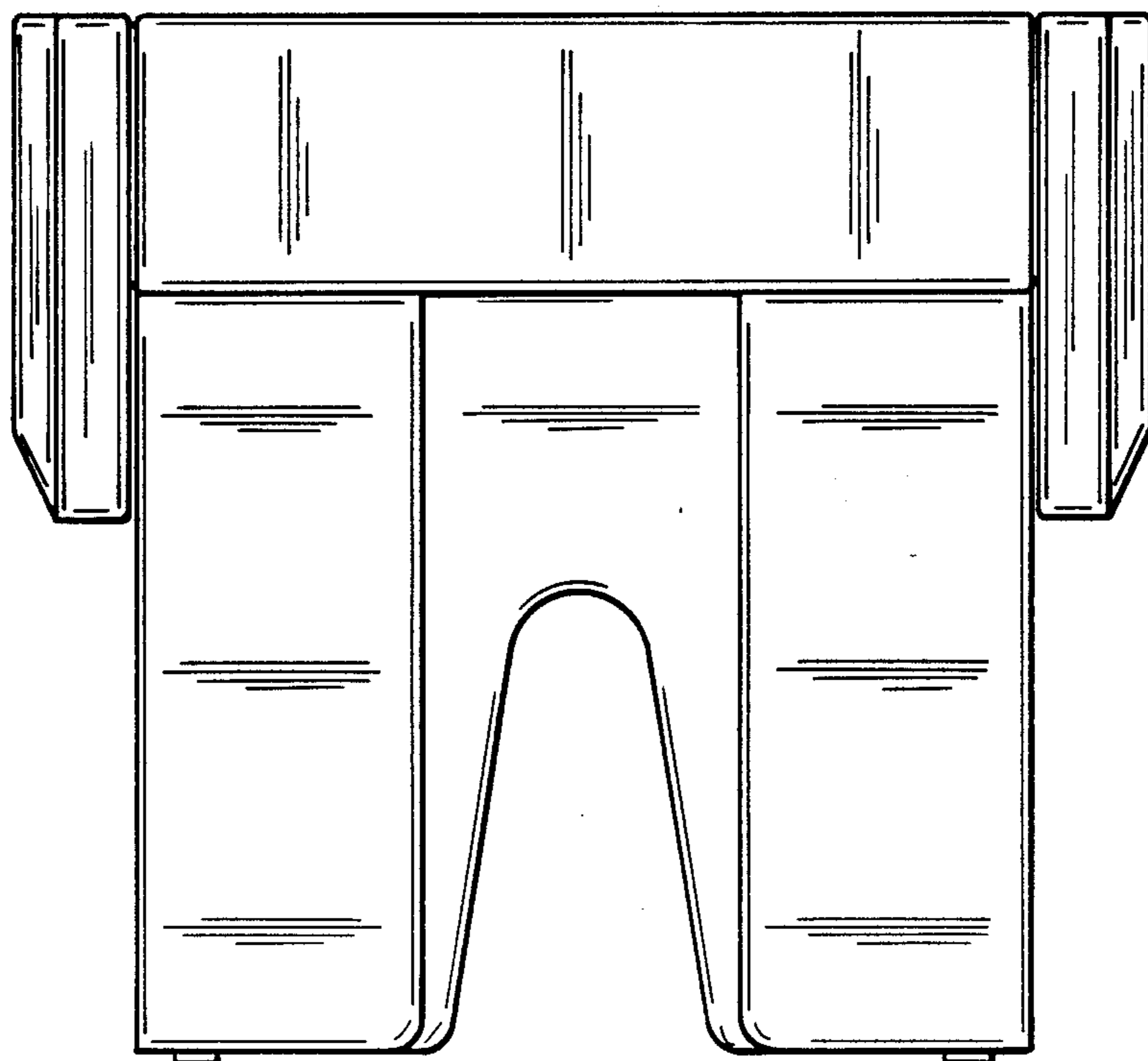
DESCRIPTION

FIG. 1 is a top plan view of the sorter for copying machine showing our new design;
FIG. 2 is a bottom plan view thereof;
FIG. 3 is a front elevational view thereof;
FIG. 4 is a rear elevational view thereof;
FIG. 5 is a right side elevational view thereof with the left side elevational view being a mirror image thereof; and
FIG. 6 is a right front perspective view thereof.

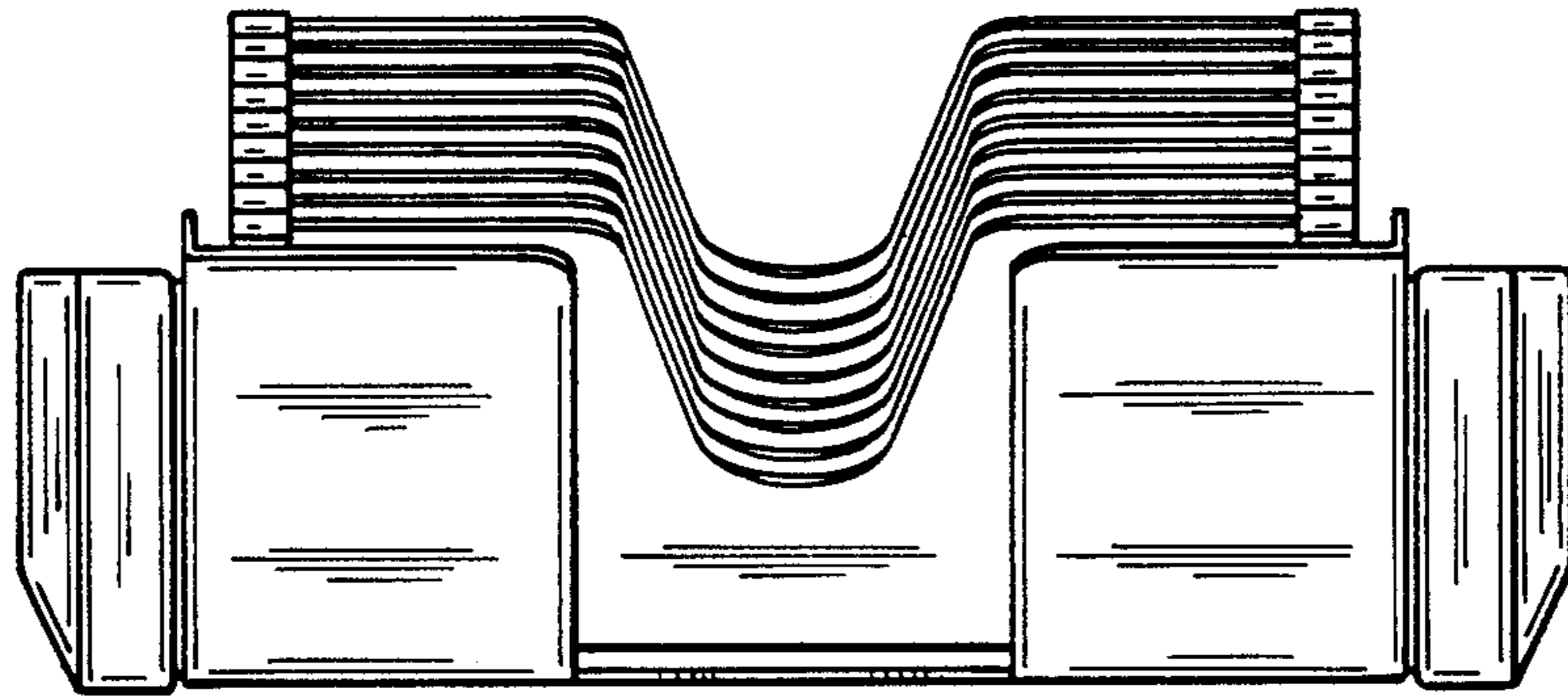




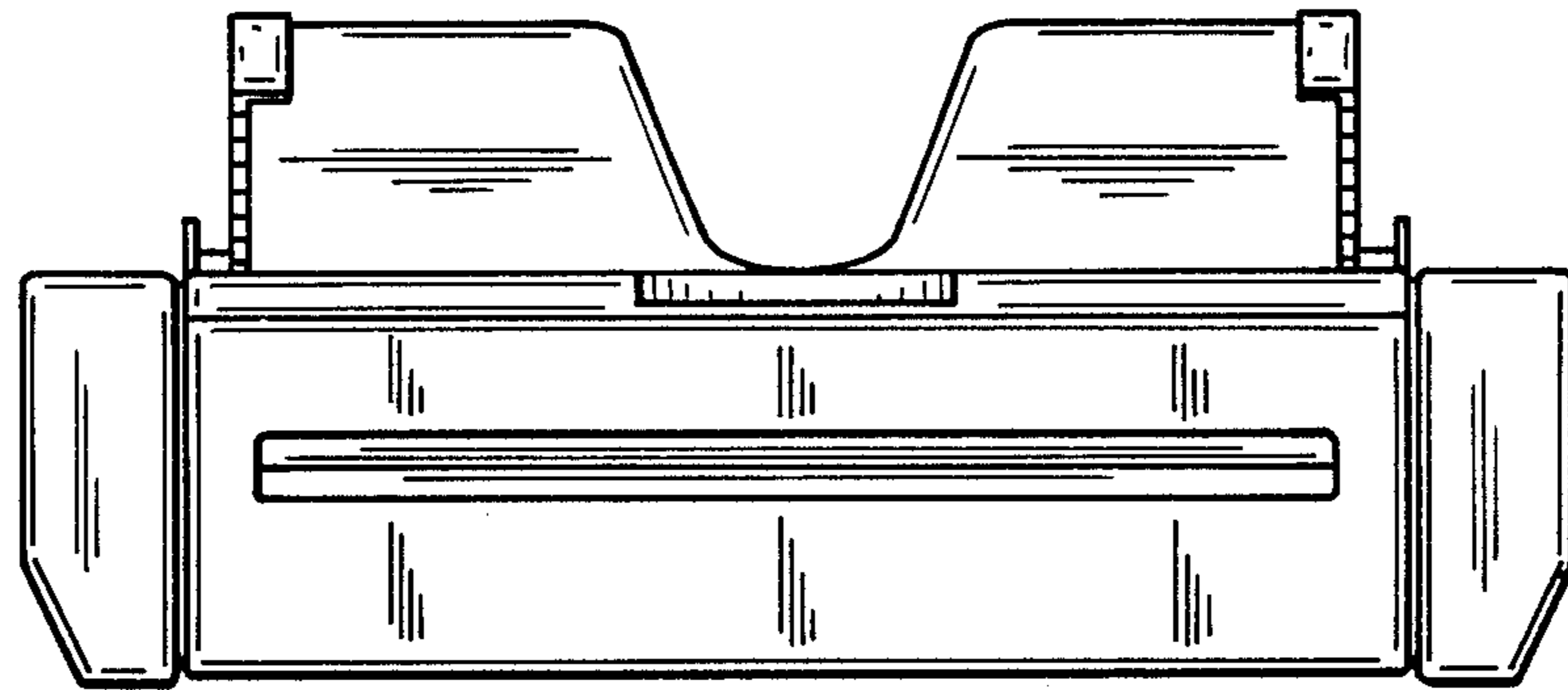
FIG_1



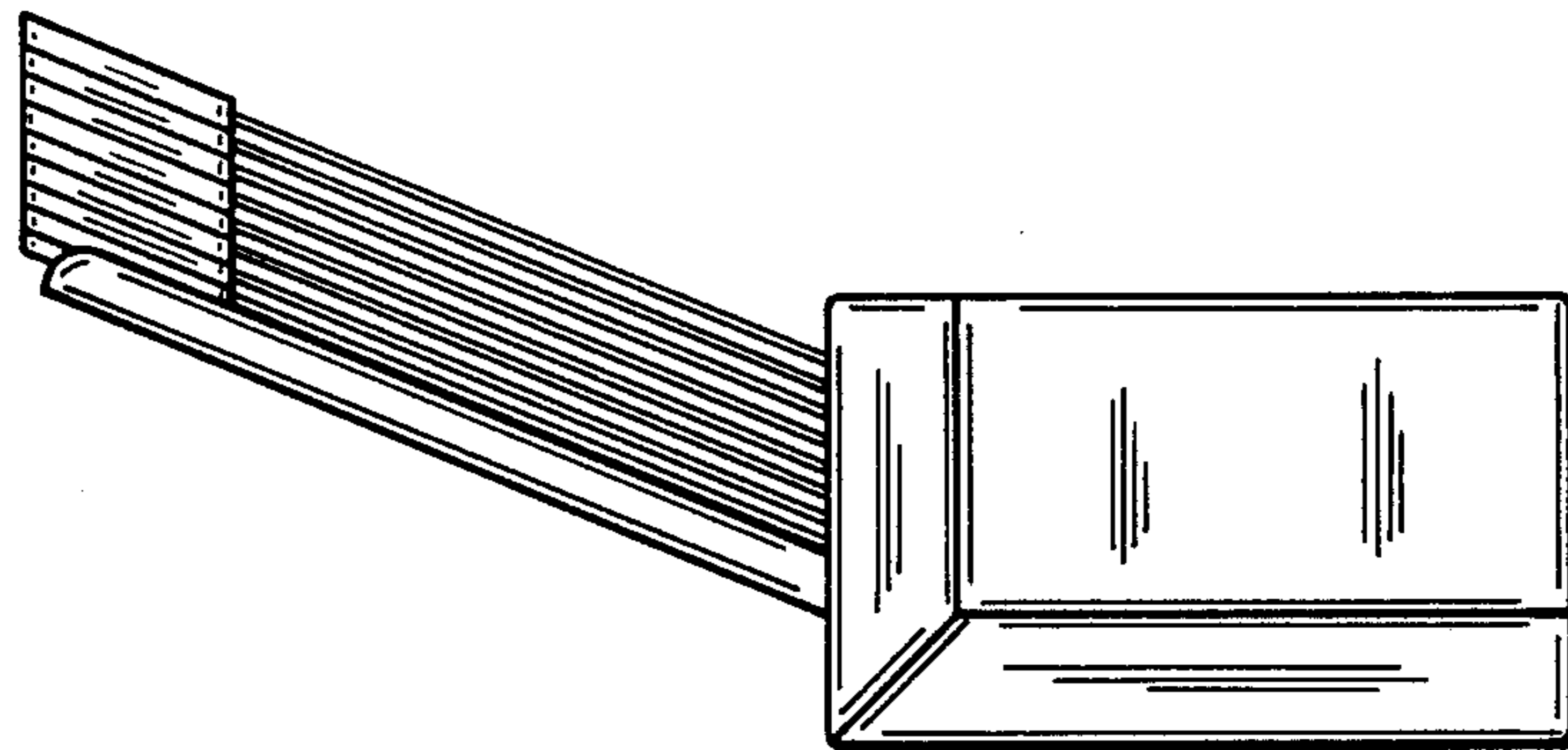
FIG_2



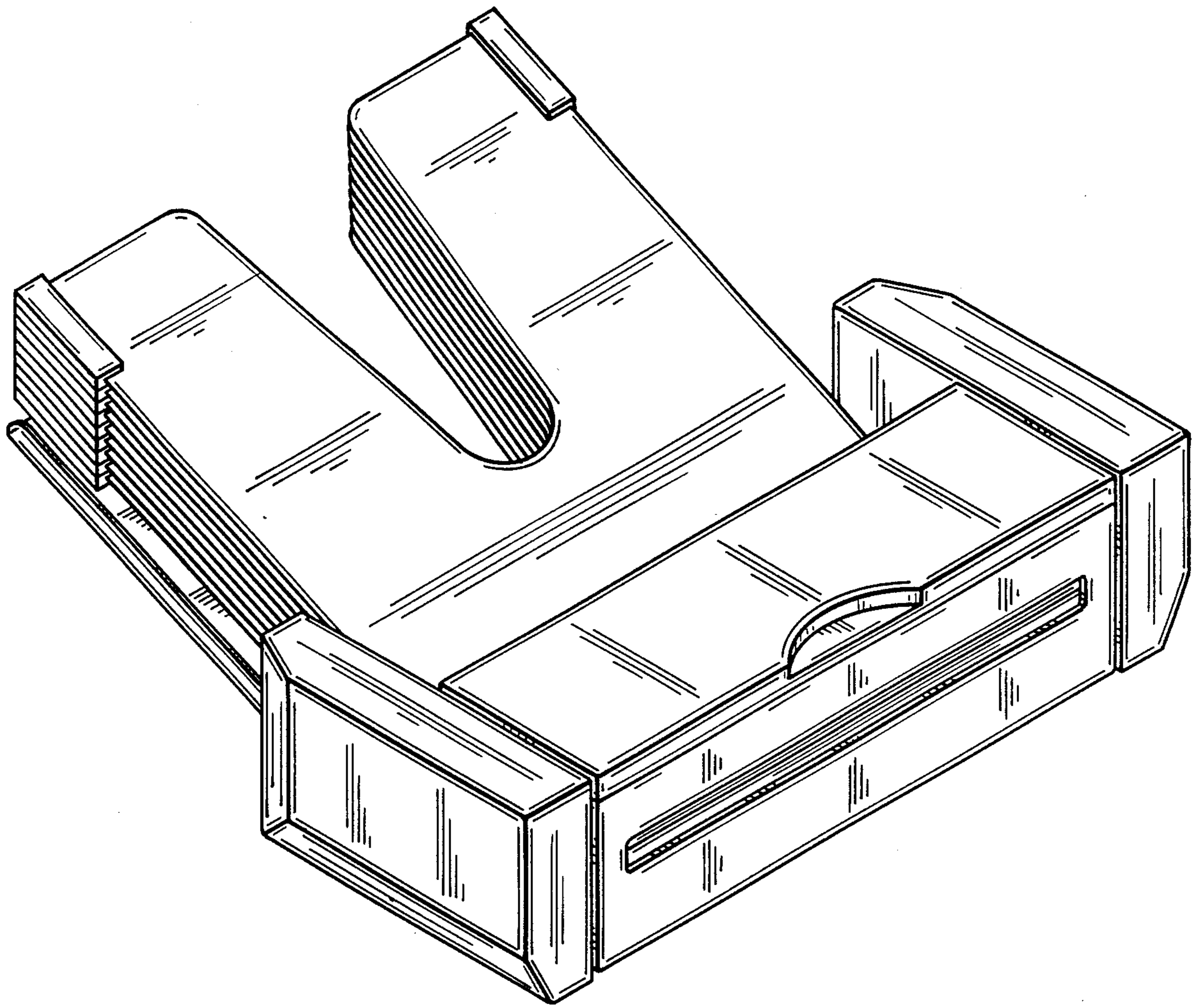
FIG_3



FIG_4



FIG_5



FIG_6