

[54] **DOOR VIEWER**

[76] **Inventor: Donald E. Degnan, 314 E. 77th St.,  
New York, N.Y. 10021**

[\*\*] **Term: 14 Years**

[21] **Appl. No.: 240,048**

[22] **Filed: Sep. 2, 1988**

[52] **U.S. Cl. .... D16/134; D16/130;  
D16/132**

[58] **Field of Search ..... D16/130, 134, 132, 135;  
49/171; 350/319, 252, 538, 576, 573, 561, 174,  
453; 220/82 R**

[56] **References Cited**

**U.S. PATENT DOCUMENTS**

3,438,540 4/1969 Le Roy ..... 350/319

3,973,835	8/1976	Miyakawa et al. ....	350/319
4,050,792	9/1977	Svensson .....	350/319
4,172,636	10/1979	Yanagimachi .....	350/453
4,269,474	5/1981	Kamimura .....	350/453
4,726,670	2/1988	Sherrard et al. ....	D16/130 X
4,730,911	3/1988	Wood et al. ....	350/319

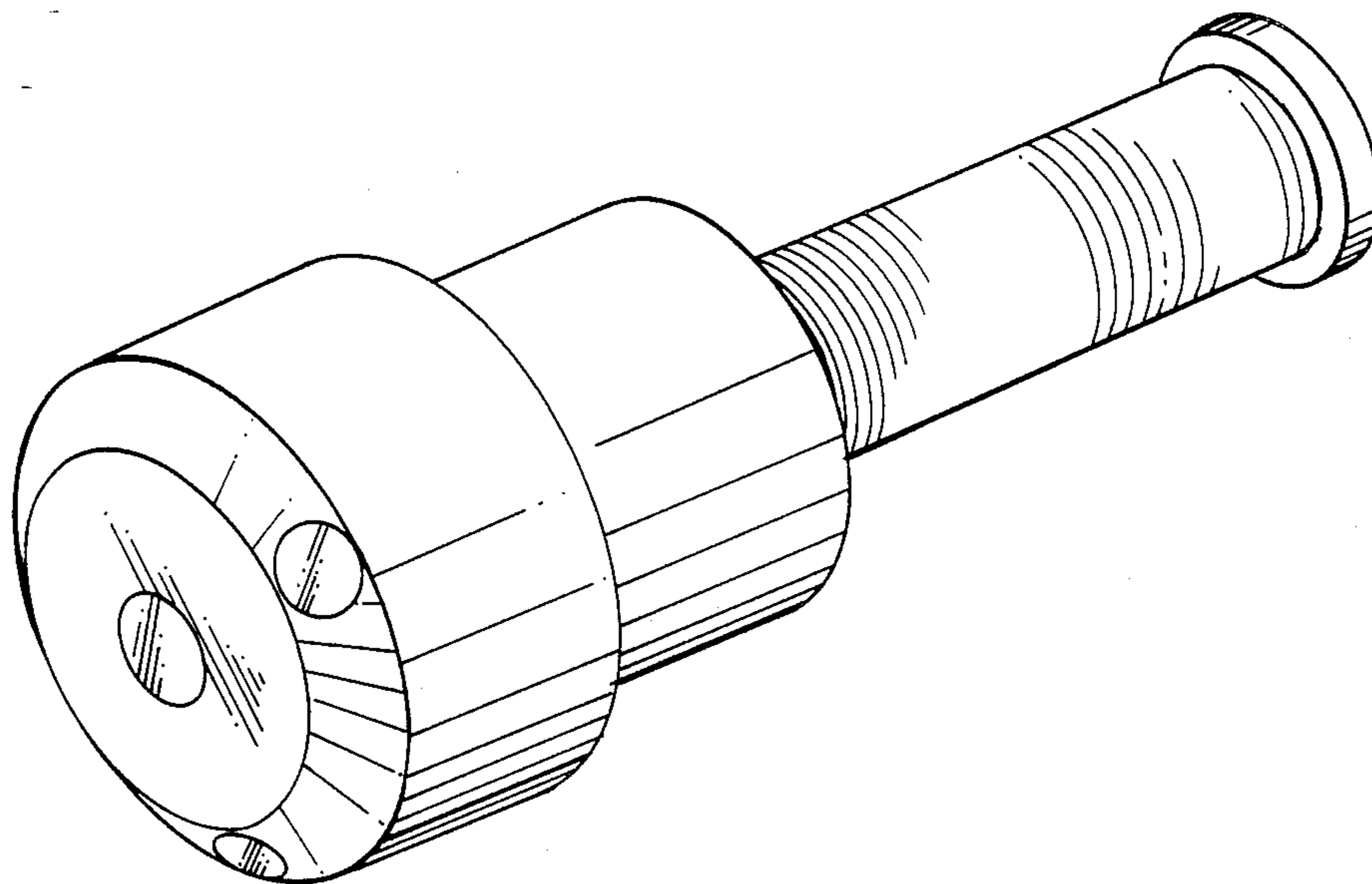
*Primary Examiner*—A. Hugo Word  
*Assistant Examiner*—Doris V. Coles  
*Attorney, Agent, or Firm*—Jonathan Schafrann

[57] **CLAIM**

The ornamental design for a door viewer, as shown.

**DESCRIPTION**

FIG. 1 is a perspective view of a door viewer showing my new design;  
FIG. 2 is a front elevational view thereof;  
FIG. 3 is a rear elevational view thereof; and  
FIG. 4 is a side elevational view thereof.



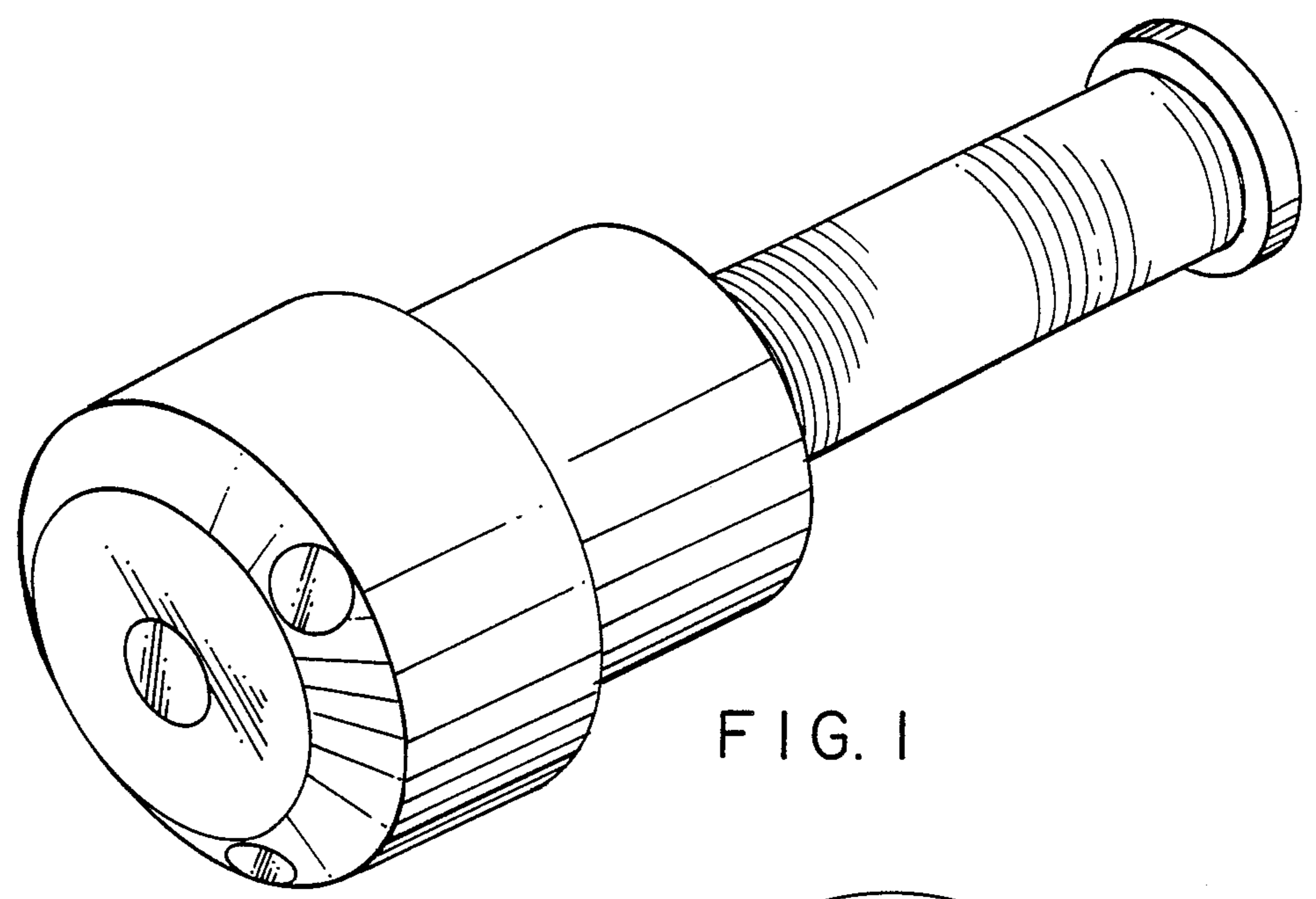


FIG. 1

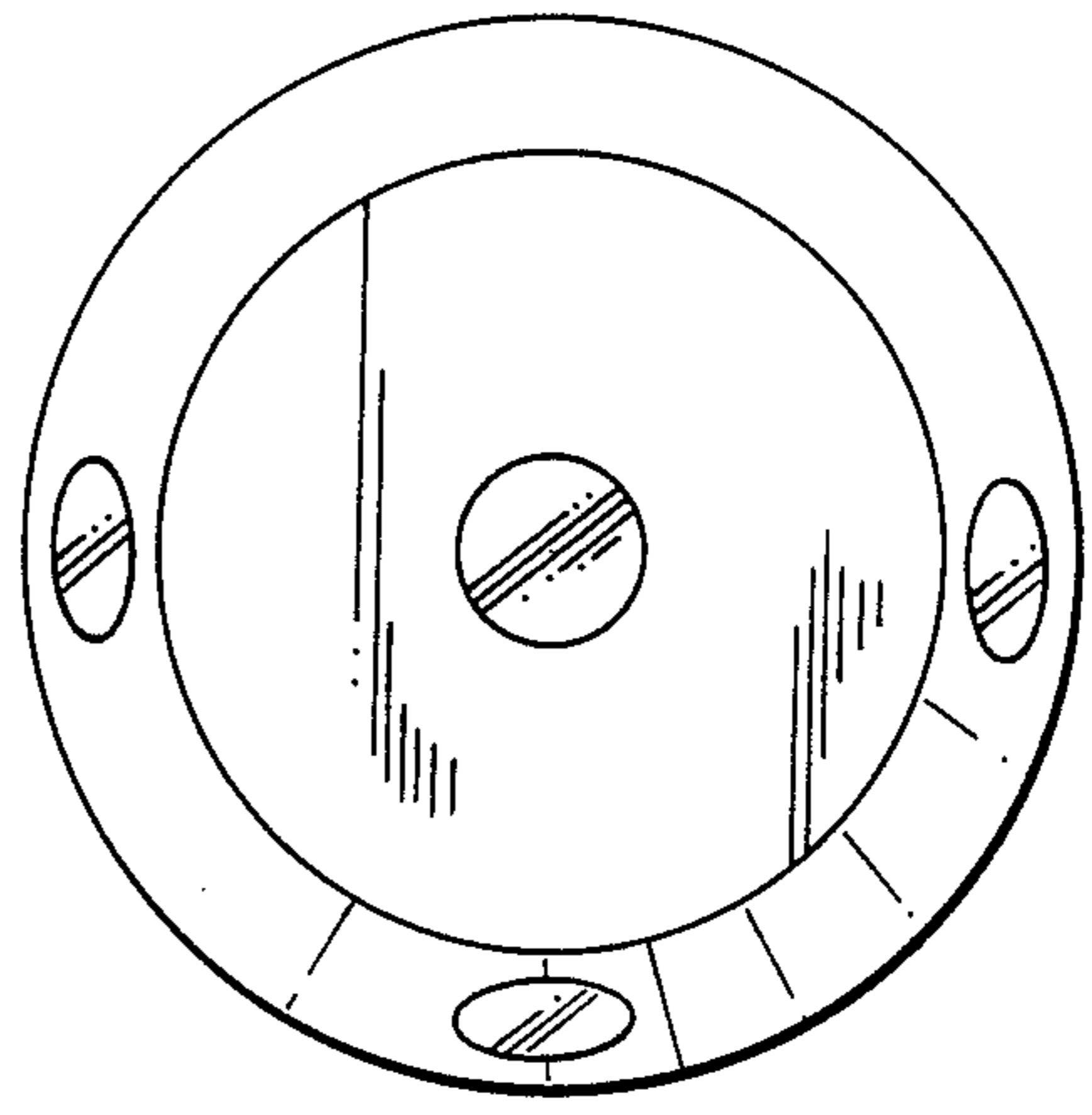


FIG. 2

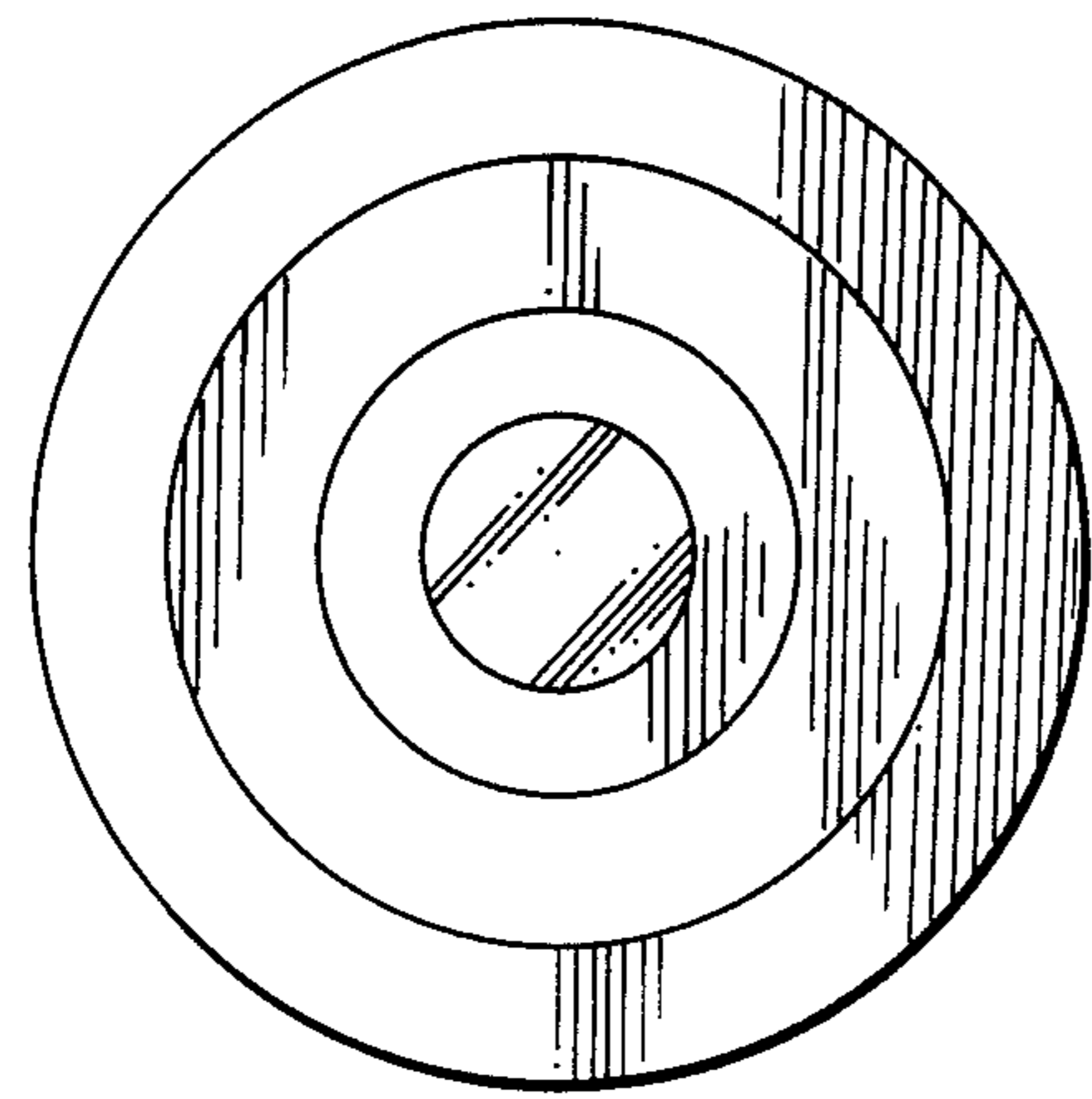


FIG. 3

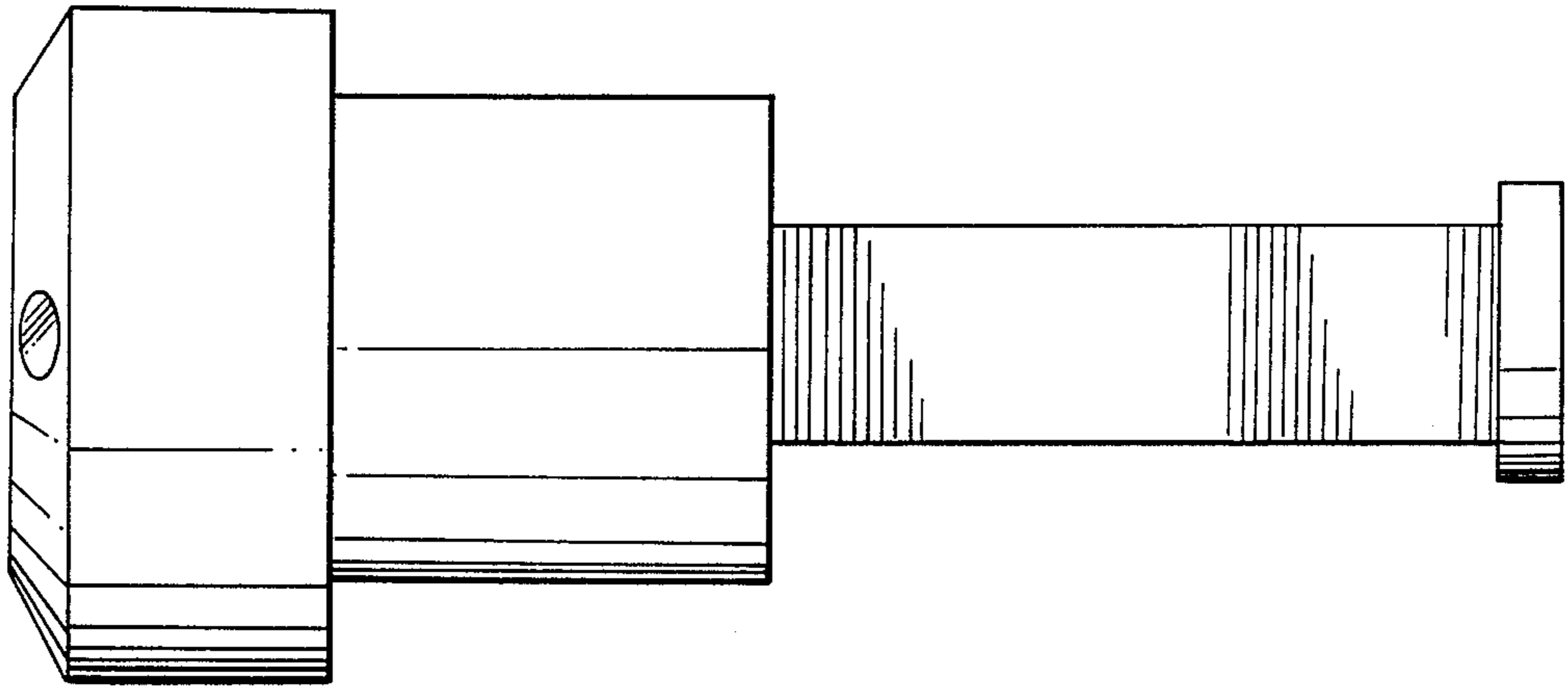


FIG. 4