

[54] **WALL-MOUNTED AQUARIUM PUMP**

[75] **Inventor: Heinz Turbanisch, Nuremberg, Fed. Rep. of Germany**

[73] **Assignee: Jet-Pumpen HT GmbH, Fed. Rep. of Germany**

[**] **Term: 14 Years**

[21] **Appl. No.: 63,903**

[22] **Filed: Jun. 18, 1987**

[30] **Foreign Application Priority Data**

Dec. 18, 1986 [DE] Fed. Rep. of Germany MR VII 324

[52] **U.S. Cl. D15/8**

[58] **Field of Search D15/7-8; 417/321, 410, 424.1, 572; 210/416.2, 169**

[56] **References Cited**

U.S. PATENT DOCUMENTS

D. 289,914	5/1987	Willinger et al.	D23/210
4,385,989	5/1983	Margolis	210/416.2 X
4,532,037	7/1985	Willinger	D23/210 X
4,559,136	12/1985	Dockery	210/416.2 X
4,620,924	11/1986	Goldman et al.	210/416.2 X
4,735,715	4/1988	Willinger	210/416.2 X

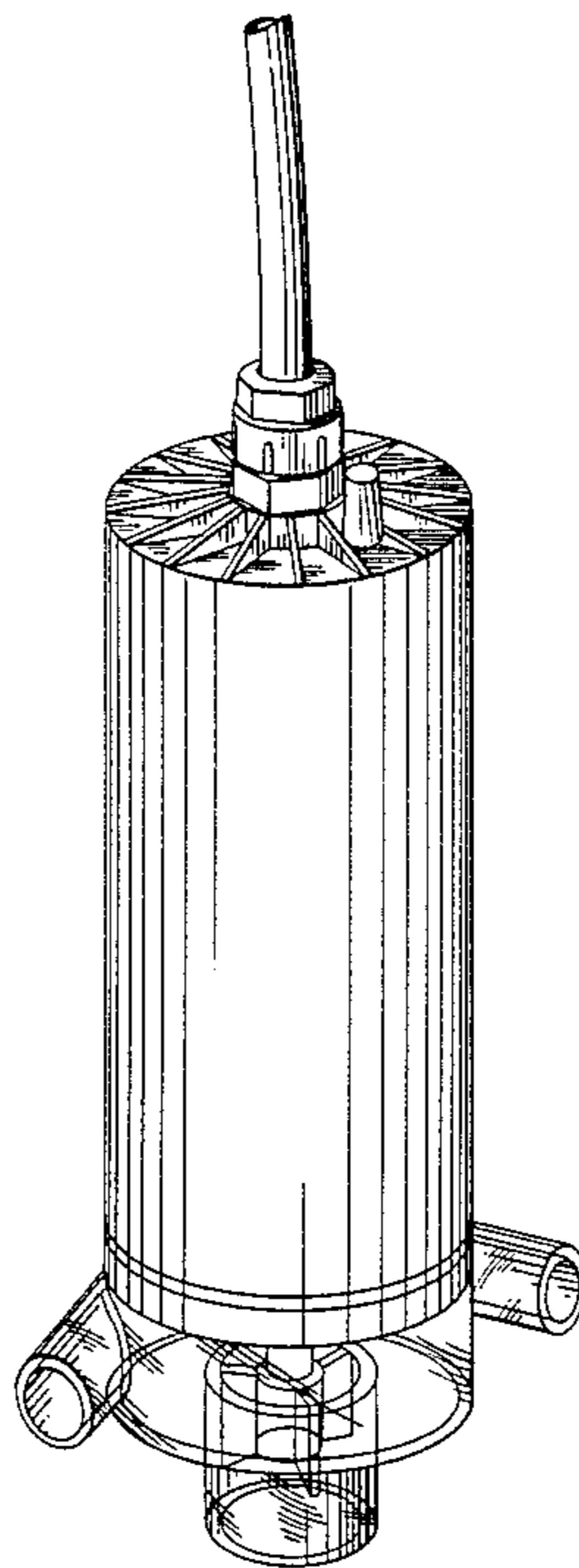
Primary Examiner—Wallace R. Burke
Assistant Examiner—Brian N. Vinson
Attorney, Agent, or Firm—Robert J. Koch

[57] **CLAIM**

The ornamental design for a wall-mounted aquarium pump, as shown.

DESCRIPTION

FIG. 1 is a top and front perspective view of a wall-mounted aquarium pump showing my new design; and FIG. 2 is a bottom plan view thereof.



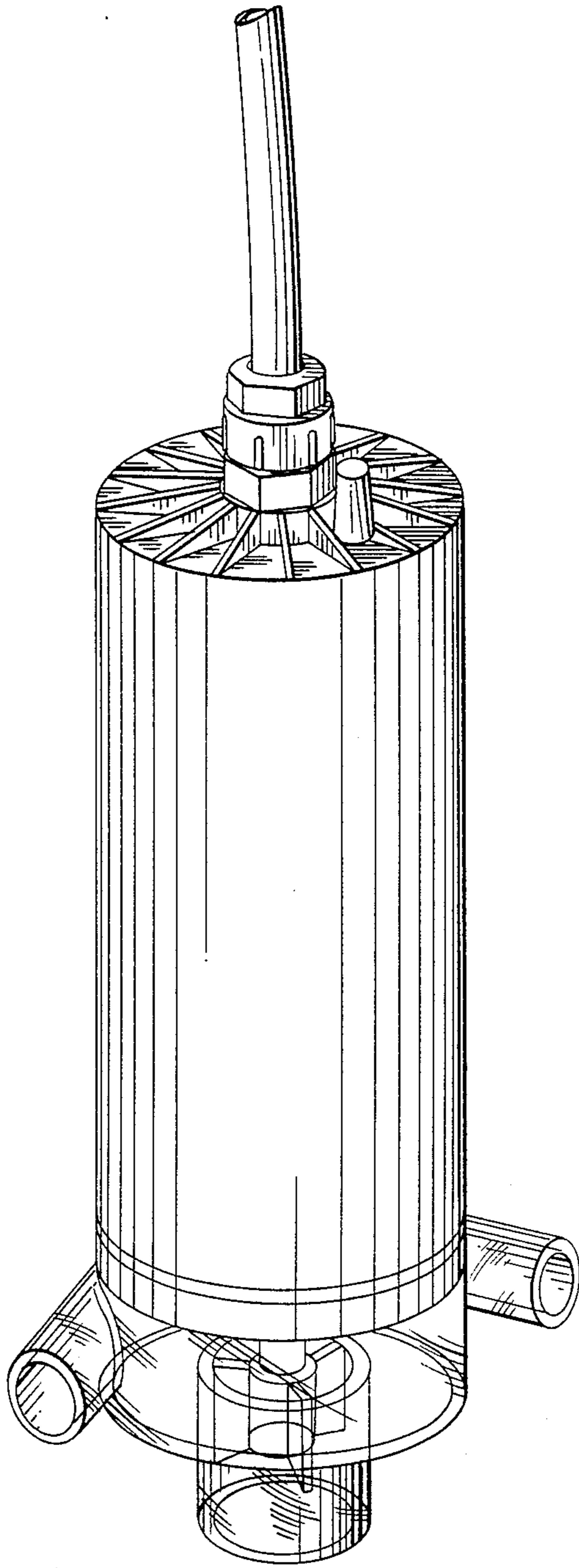


Fig. 1

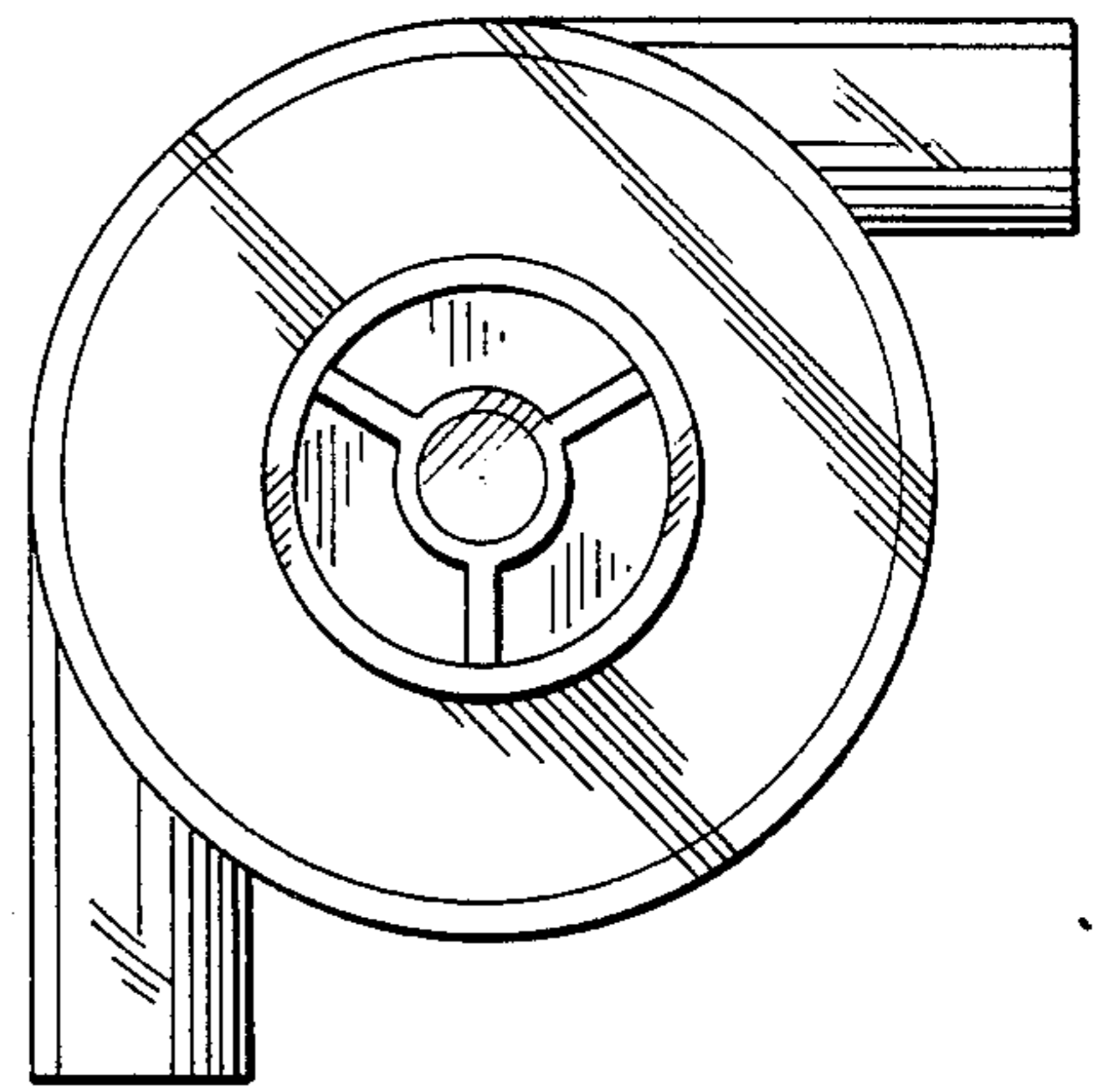


Fig. 2

UNITED STATES PATENT AND TRADEMARK OFFICE
CERTIFICATE OF CORRECTION

PATENT NO. : Des. 310,838
DATED : September 25, 1990
INVENTOR(S) : Heinz Turbanisch

It is certified that error appears in the above-identified patent and that said Letters Patent is hereby corrected as shown below:

ON TITLE PAGE of the patent, at [75], please change
"Nuremberg" to --Nürnberg.--

**Signed and Sealed this
Fourth Day of August, 1992**

Attest:

Attesting Officer

DOUGLAS B. COMER

Acting Commissioner of Patents and Trademarks