

[54] COMBINED COMPACT DISC PLAYER,
RADIO, RECEIVER AND TAPE RECORDER

[75] Inventor: Makoto Takimoto, Osaka, Japan

[73] Assignee: Sharp Corporation, Osaka, Japan

[**] Term: 14 Years

[21] Appl. No.: 247,093

[22] Filed: Sep. 20, 1988

[30] Foreign Application Priority Data

Mar. 22, 1988 [JP] Japan 63-11582

[52] U.S. Cl. D14/168; D14/156

[58] Field of Search D14/135-136,
D14/156, 160-162, 164-165, 168-169, 173,
257-258; 369/75.1, 77.1, 77.2

[56] References Cited

U.S. PATENT DOCUMENTS

D. 290,111 6/1987 Kawano et al. D14/156

OTHER PUBLICATIONS

Video Review; Jul. 1987; p. 64; bottom left—Cambridge CD Player model CD-1.

Stereo Review; Jan. 1986; p. 88; Nikko Audio CD.

Audio; Oct. 1987; p. 65; Soundstream System 1.

Stereo Review; Jan. 1988, p. 169; Bang & Olufsen Beo-system 5500.

Primary Examiner—Theodore M. Shooman
Attorney, Agent, or Firm—Flehr, Hohbach, Test,
Albritton & Herbert

[57] CLAIM

The ornamental design for a combined compact disc player, radio receiver and tape recorder, as shown and described.

DESCRIPTION

FIG. 1 is a top, front and right side perspective view of a combined compact disc player, radio receiver and tape recorder showing the new design with the disc drawer drawn out and cassette deck drawn out;

FIG. 2 is a front elevational view thereof;

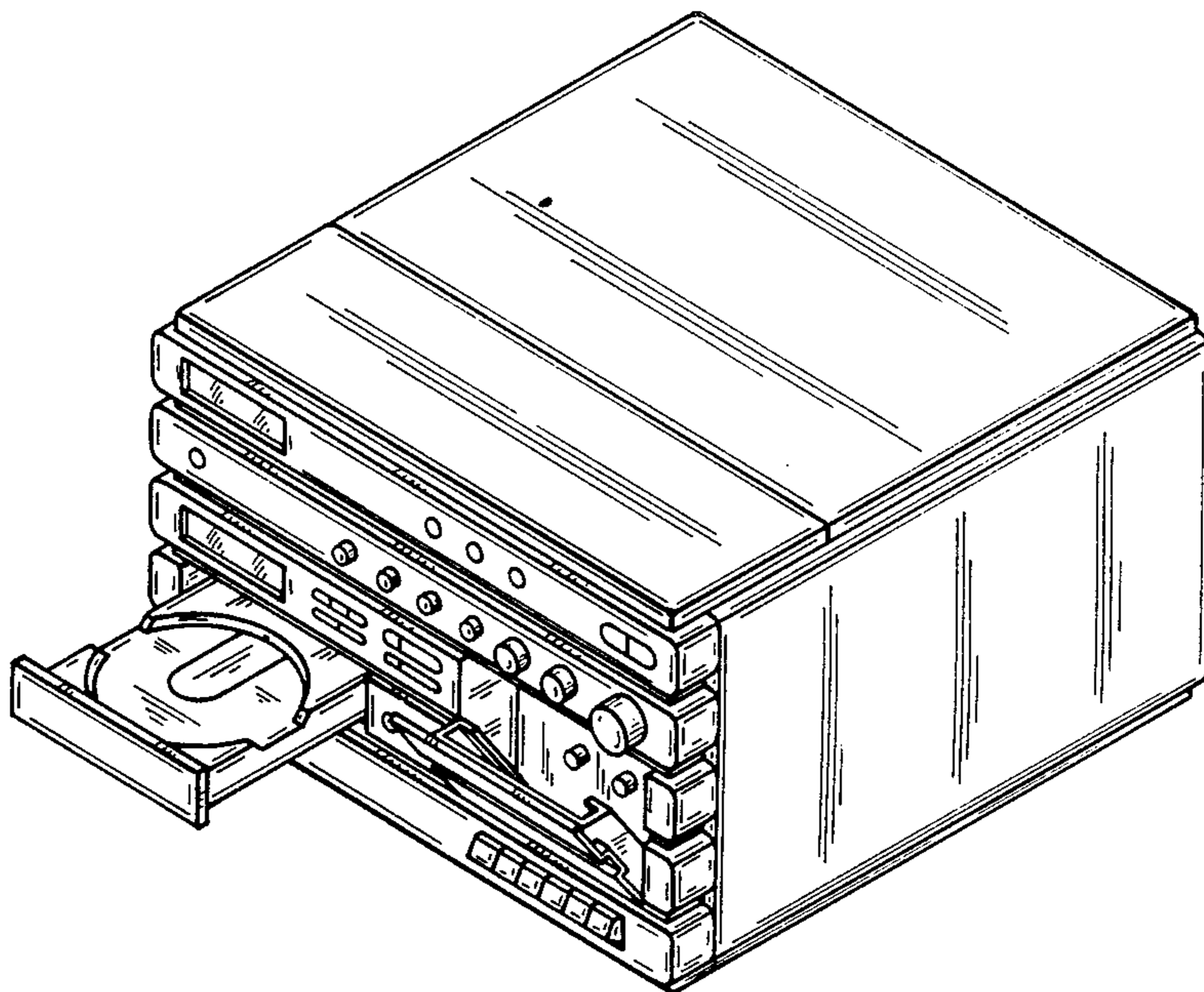
FIG. 3 is a rear elevational view thereof;

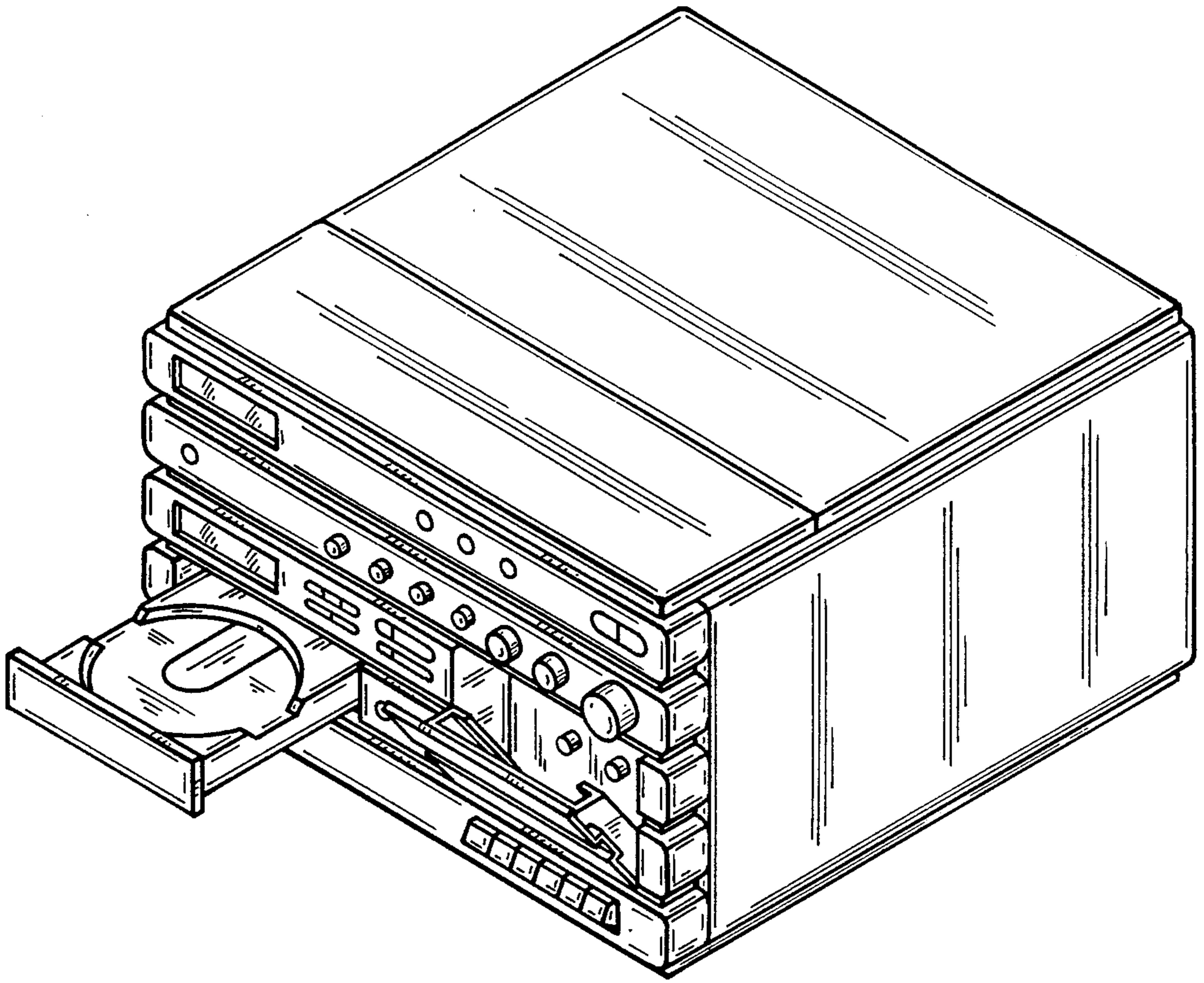
FIG. 4 is a top plan view thereof;

FIG. 5 is a bottom plan view thereof;

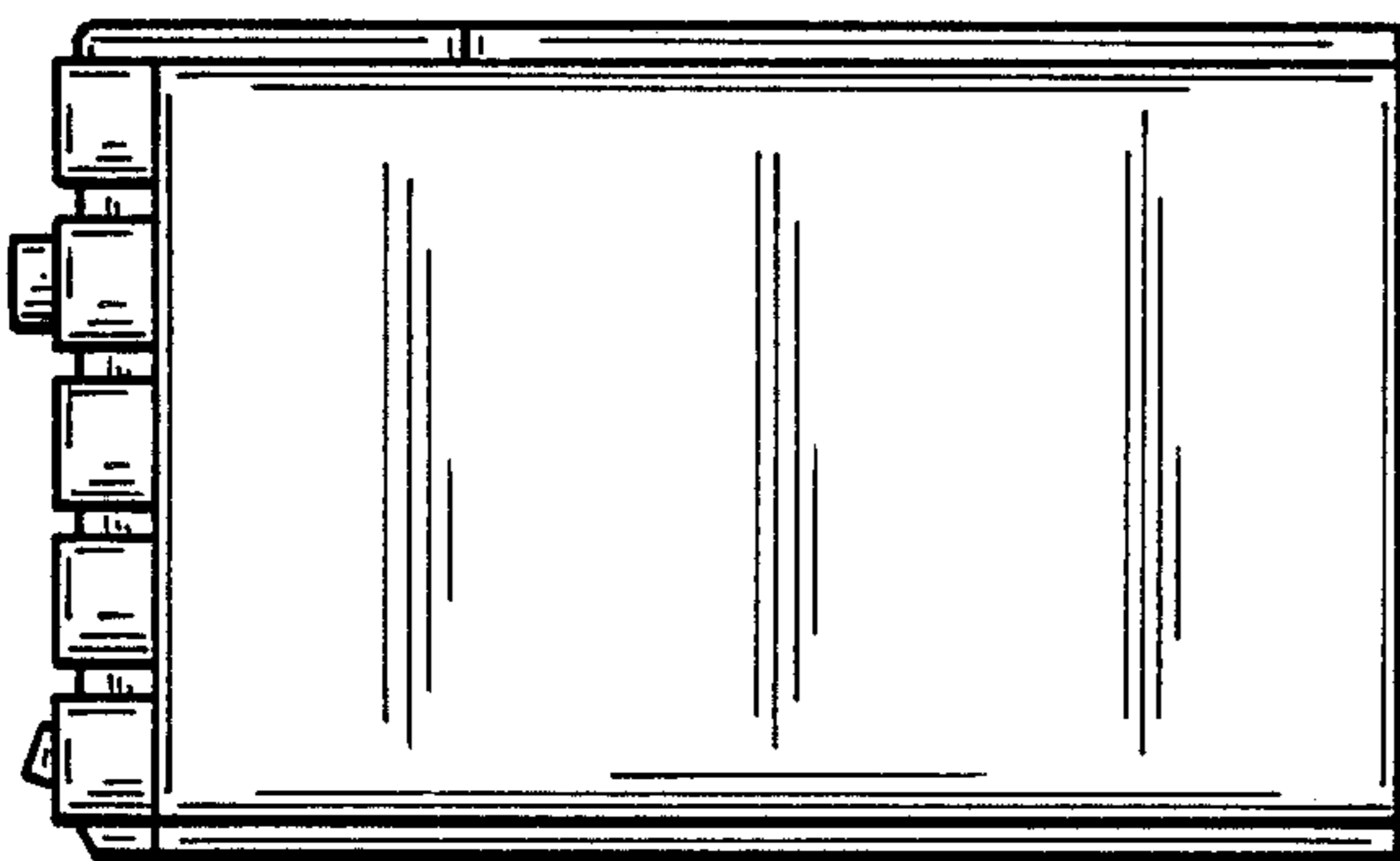
FIG. 6 is a right side elevational view thereof; and

FIG. 7 is a left side elevational view thereof.

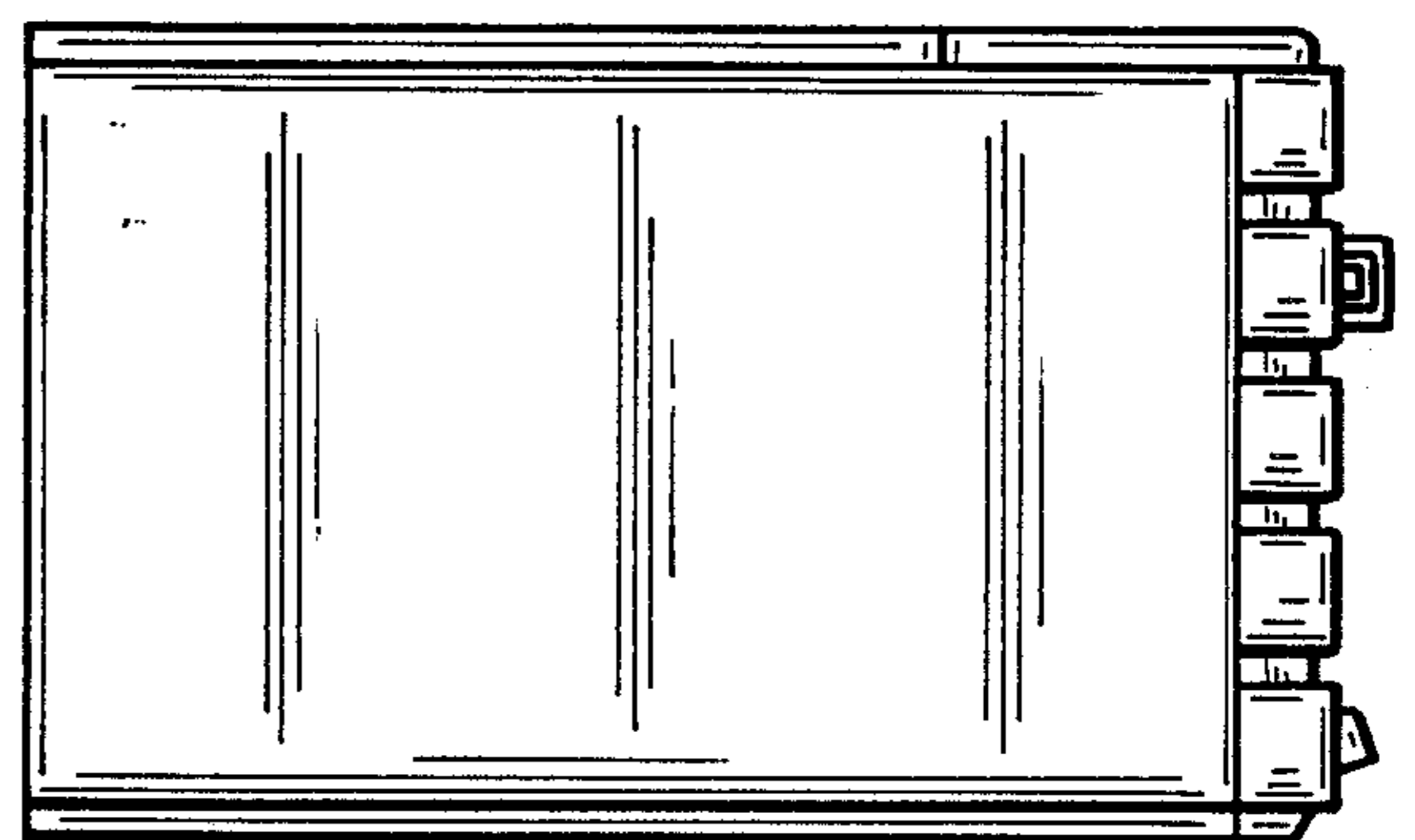




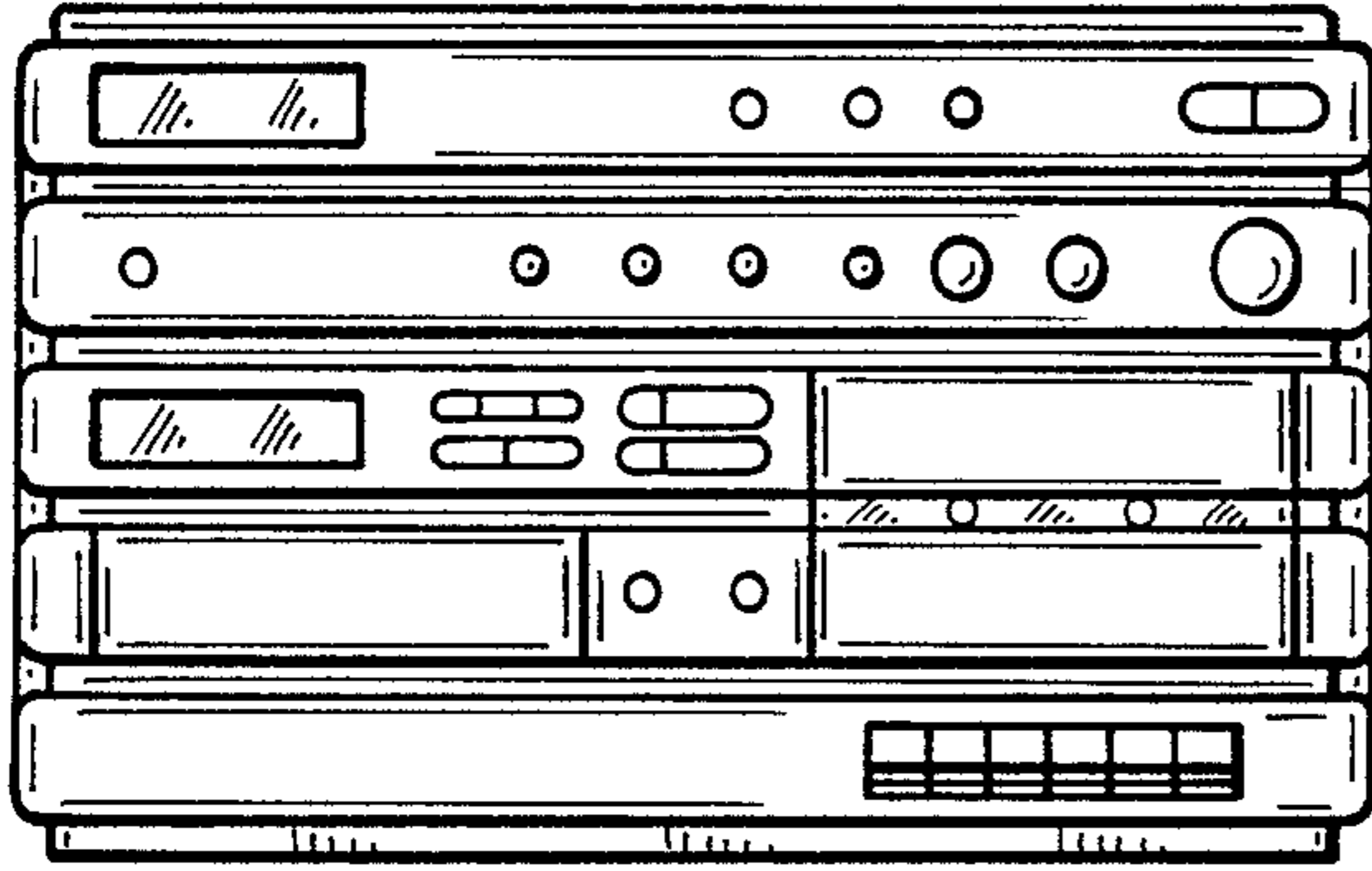
FIG_1



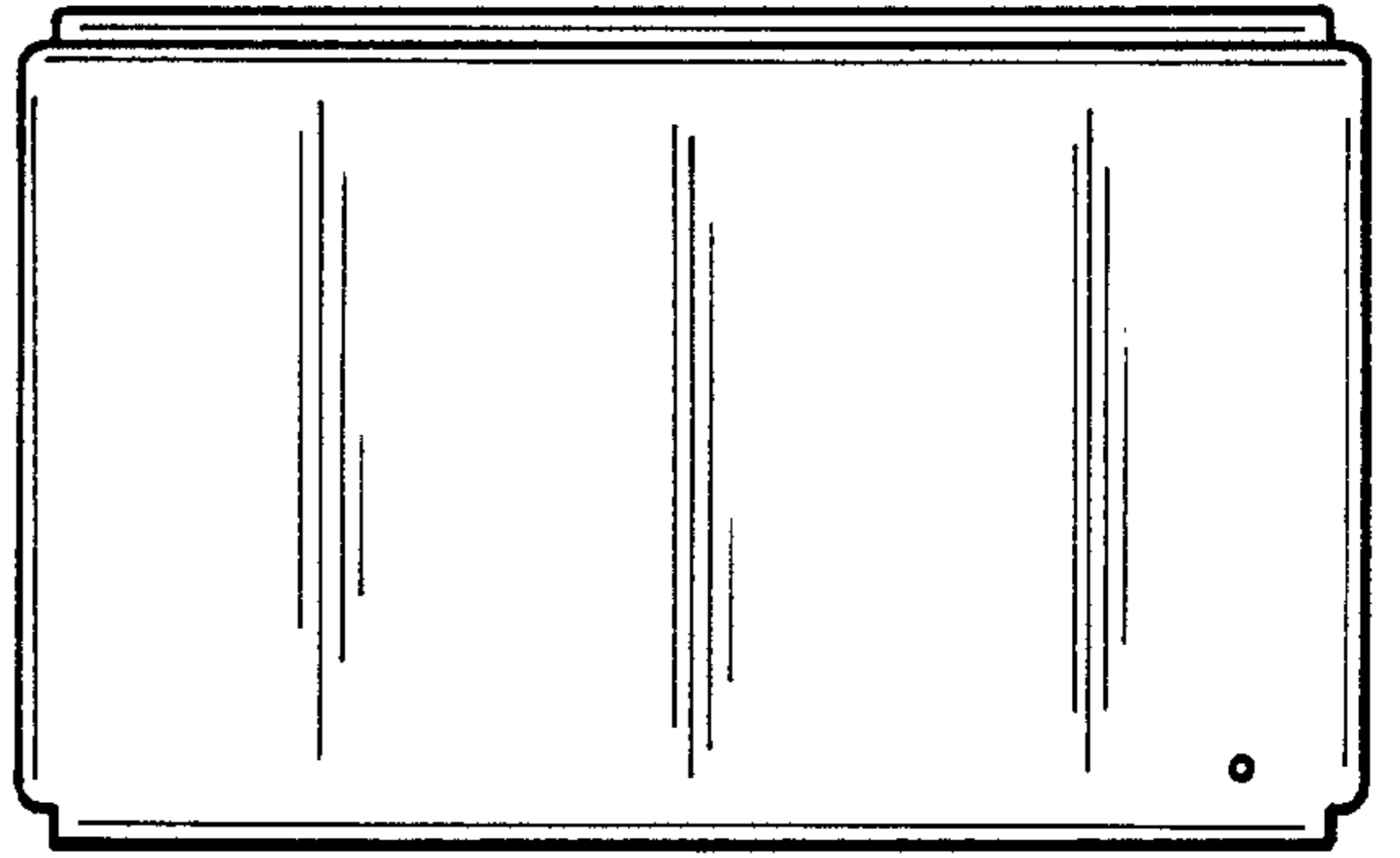
FIG_6



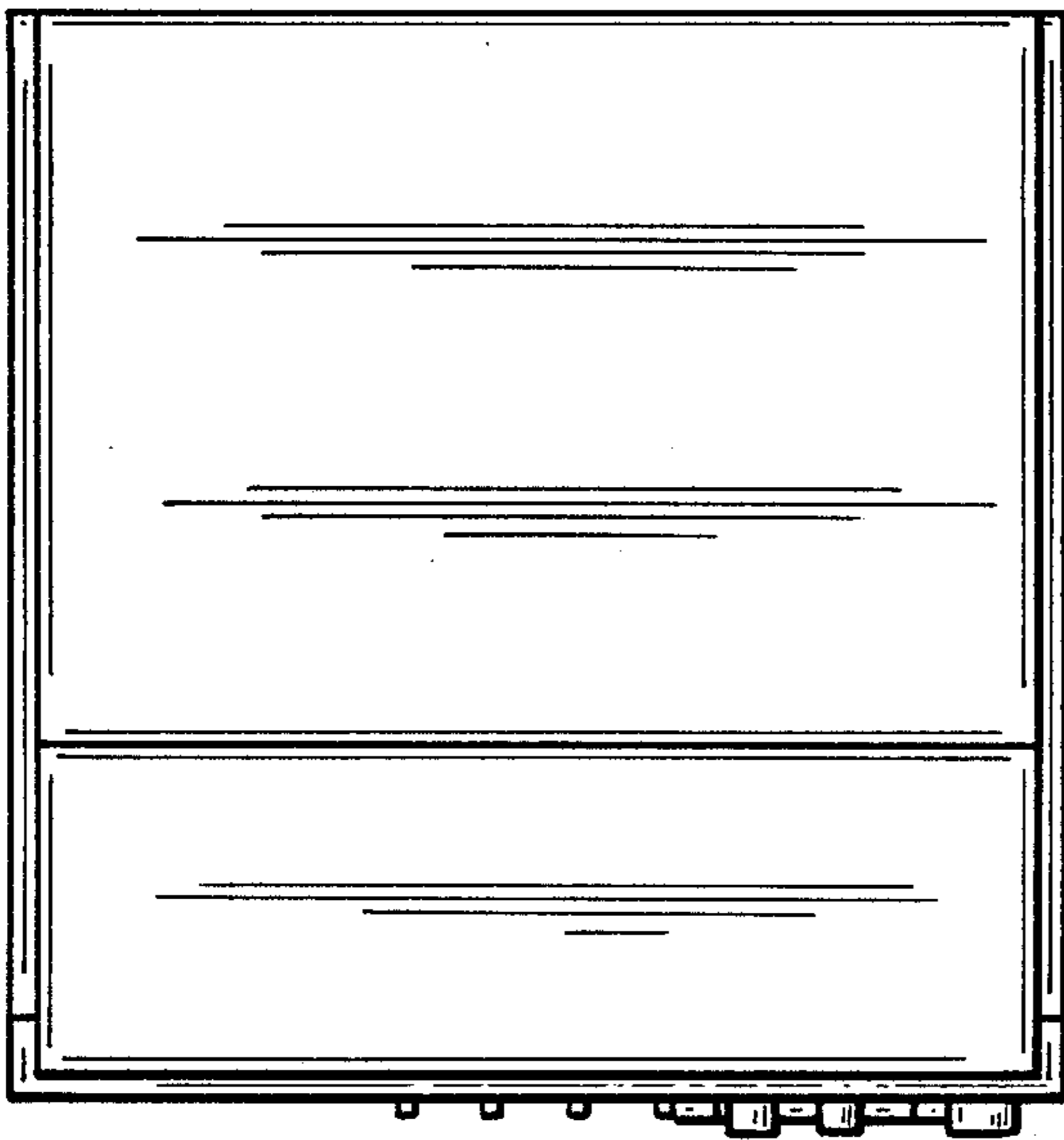
FIG_7



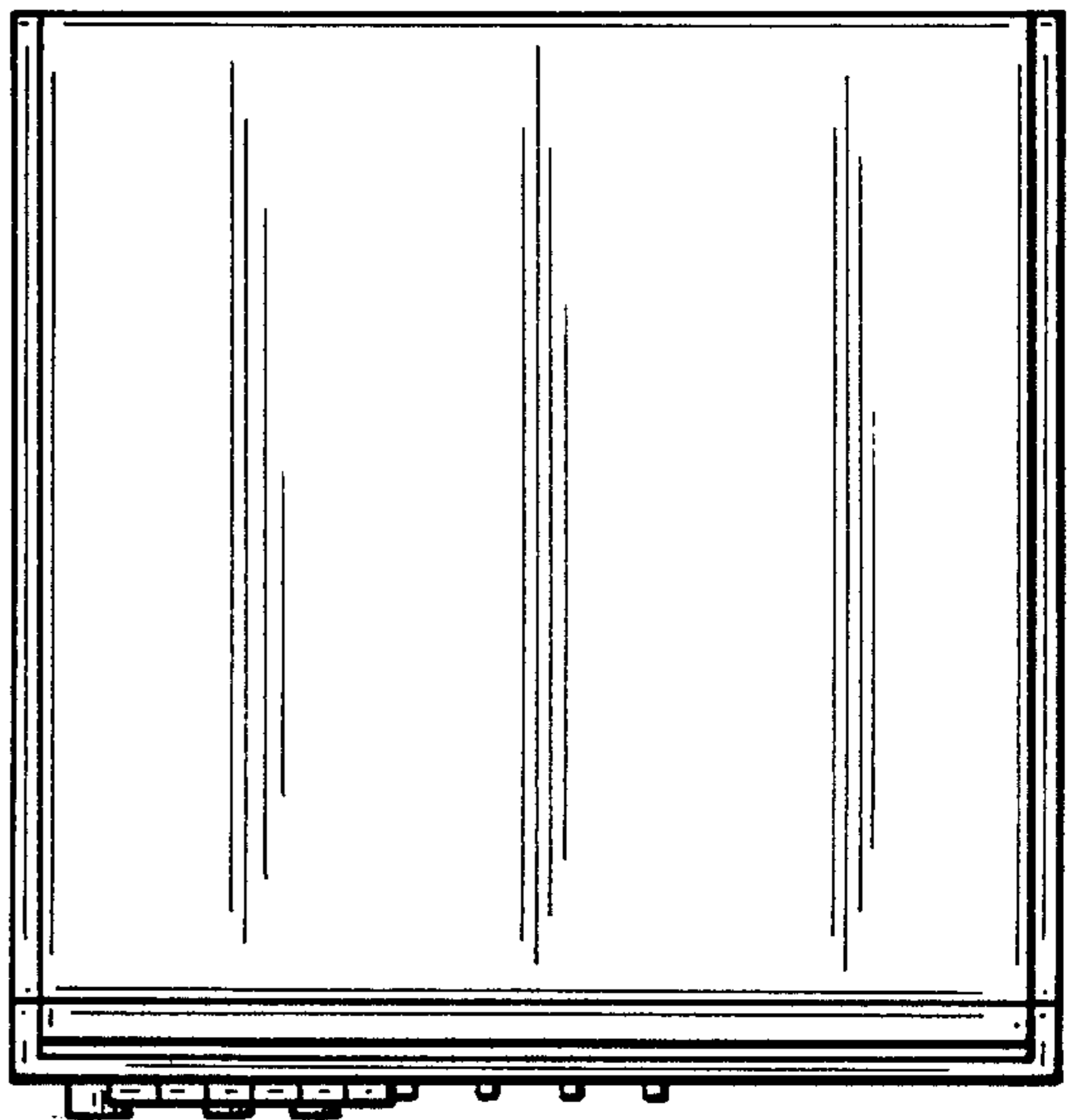
FIG_2



FIG_3



FIG_4



FIG_5