

[54] COMBINED RADIO AND CASSETTE RECORDER

[75] Inventor: Gary E. Grimes, Eersel, Netherlands

[73] Assignee: U.S. Philips Corporation, New York, N.Y.

[**] Term: 14 Years

[21] Appl. No.: 206,158

[22] Filed: Jun. 9, 1988

[30] Foreign Application Priority Data

Dec. 22, 1987 [GB] United Kingdom 1047291

[52] U.S. Cl. D14/163; D14/168

[58] Field of Search D14/141, 160-168, D14/188-189, 191-192, 196, 199, 202, 299; 455/344, 350, 351

[56] References Cited

U.S. PATENT DOCUMENTS

- D. 273,379 4/1984 Hamada et al. D14/163
- D. 294,567 3/1988 Fujii D14/163

OTHER PUBLICATIONS

HFD; 09/22/86; p. 102; Topright-Magnavox Stereo Radio Cassette Recorder.

HFD; 12/14/87; p. 84; Top right-Soundesign Radio Cassette.

Hong Kong Enterprise; 03/88; p. 310; Top left-Item left-Item No. 3838.

Primary Examiner—Theodore M. Shooman

[57] CLAIM

The ornamental design for a combined radio and cassette recorder, as shown.

DESCRIPTION

FIG. 1 is a top, front and right side perspective view of a combined radio and cassette recorder showing my new design;

FIG. 2 is a front elevational view thereof;

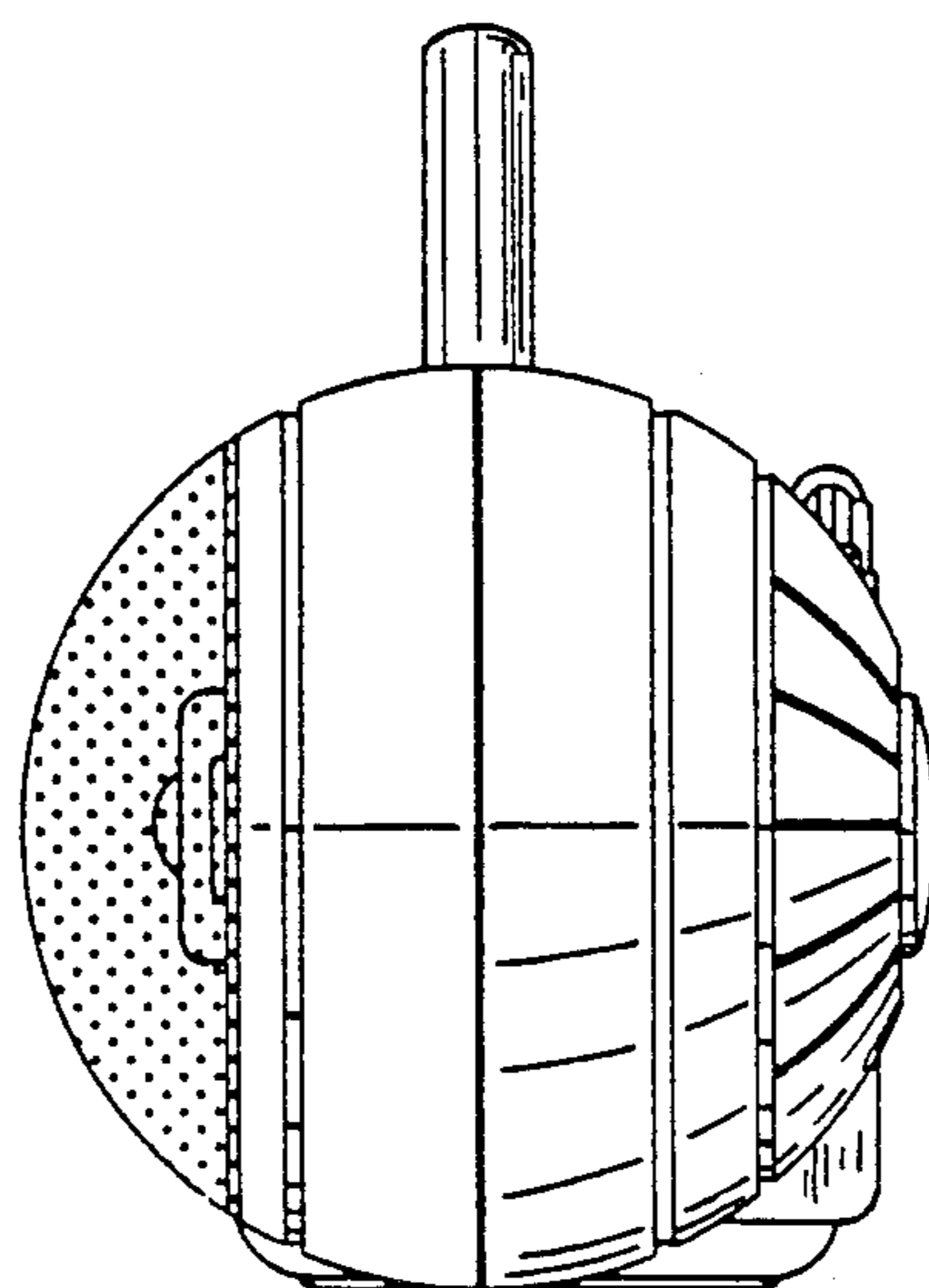
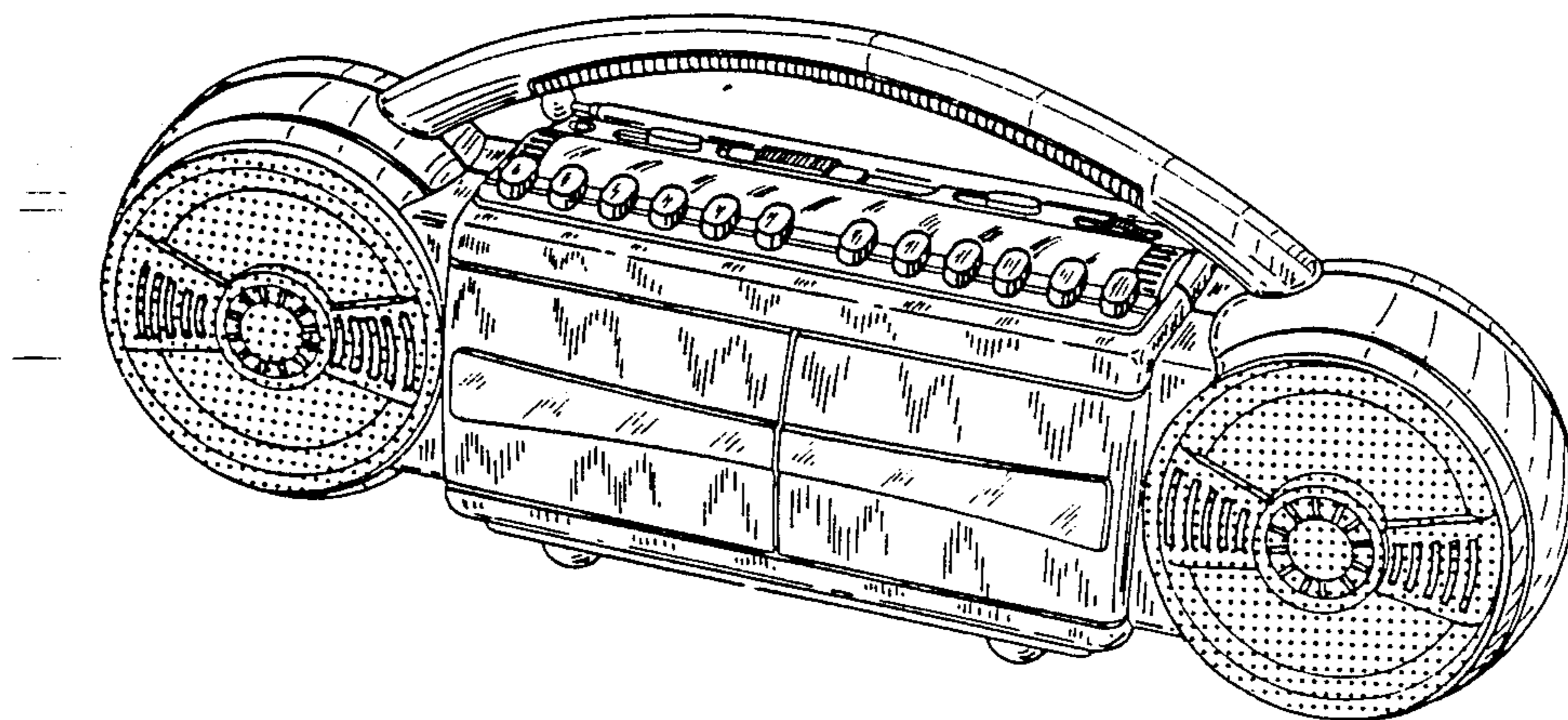
FIG. 3 is a rear elevational view thereof;

FIG. 4 is a top plan view thereof;

FIG. 5 is a bottom plan view thereof;

FIG. 6 is a right side elevational view thereof; and

FIG. 7 is a left side elevational view thereof.



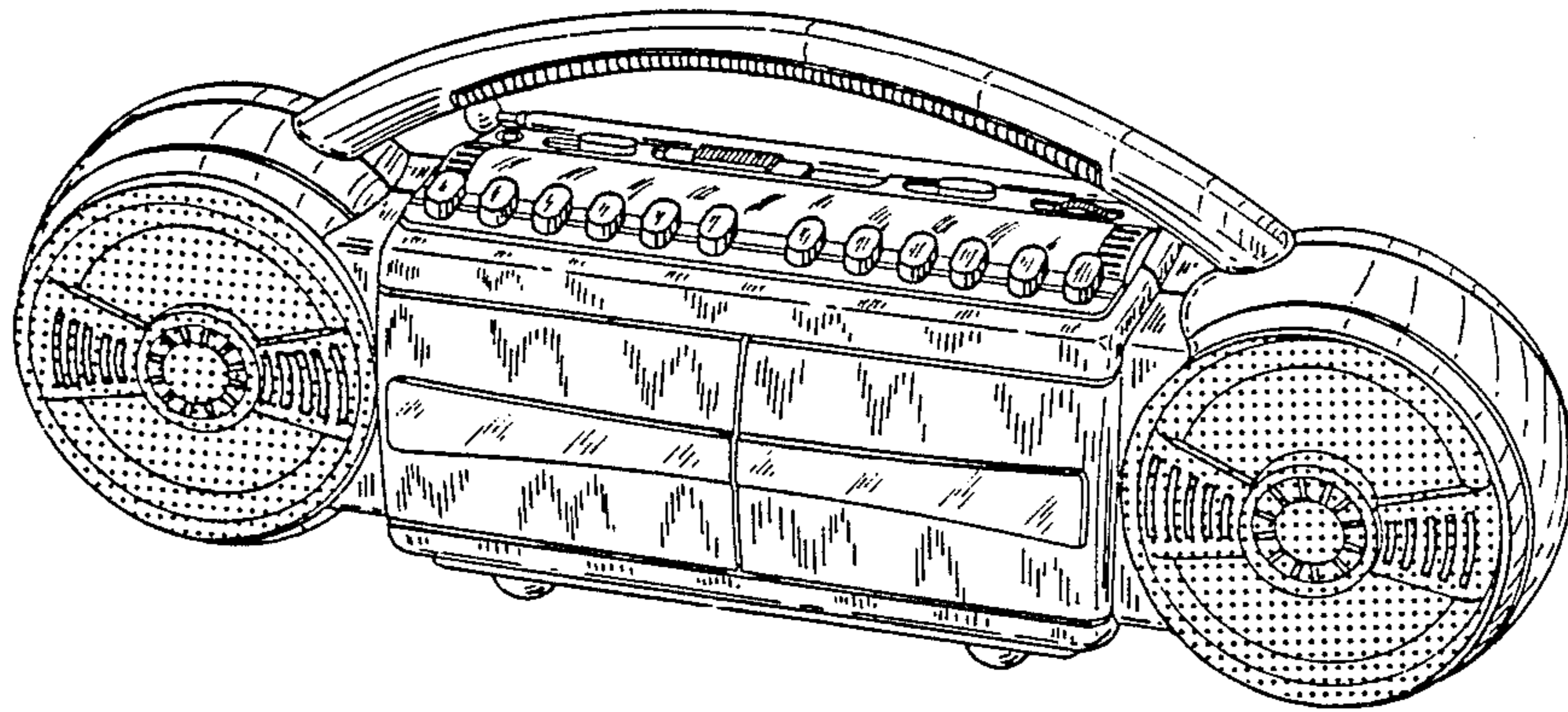


FIG. 1

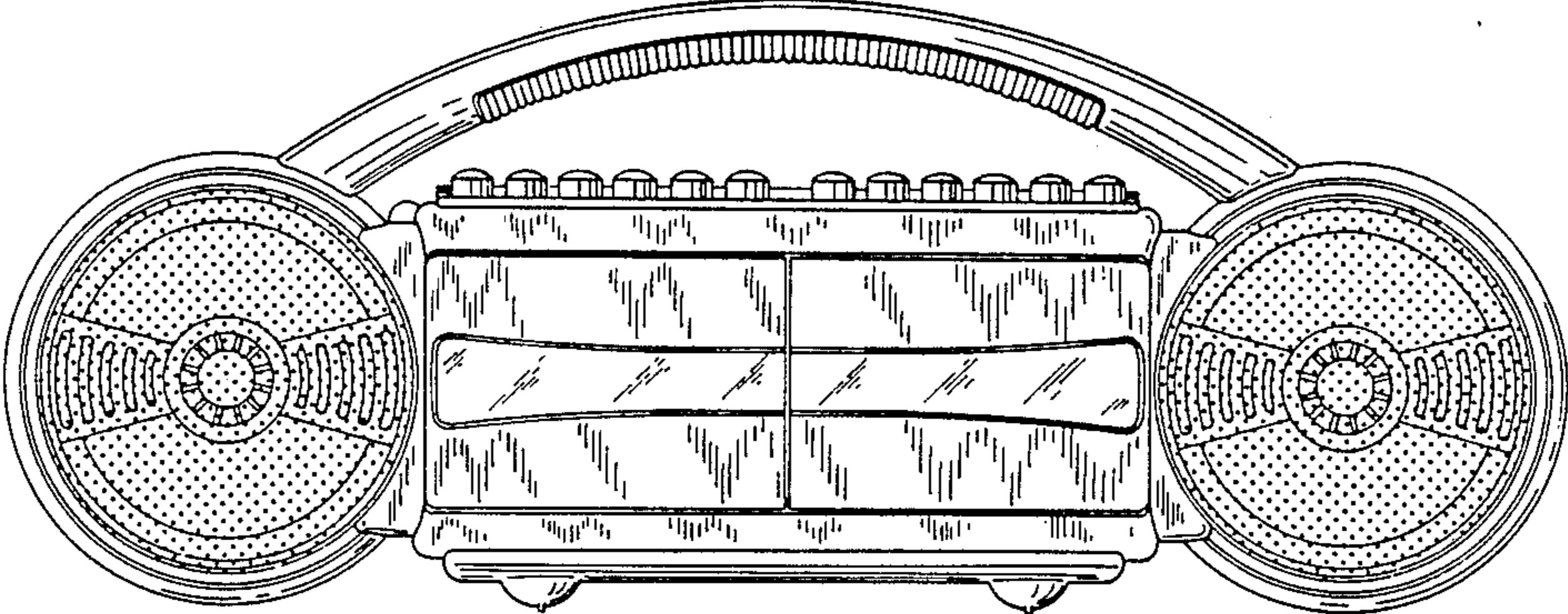


FIG. 2

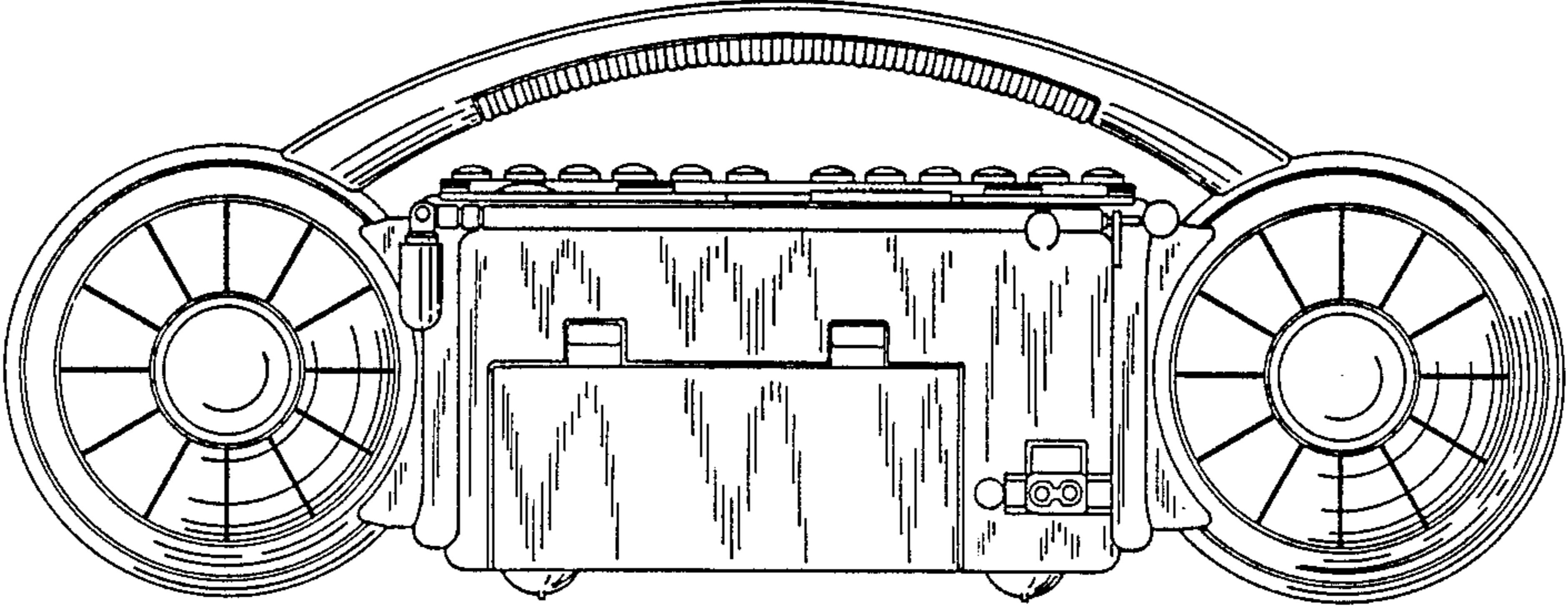


FIG. 3

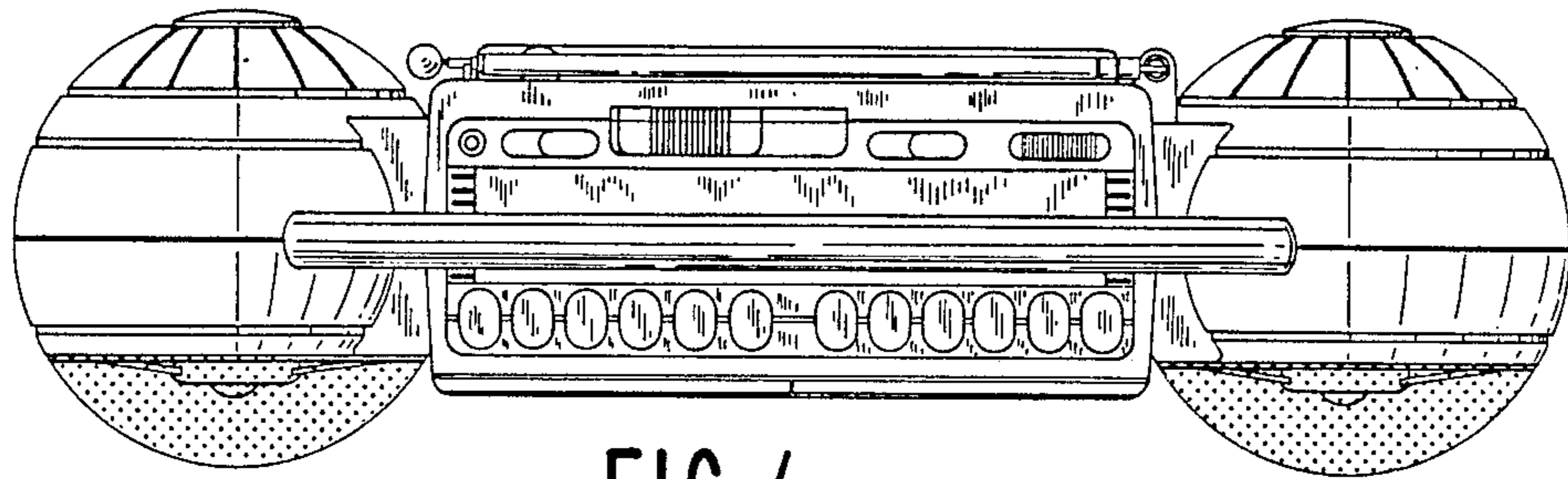


FIG. 4

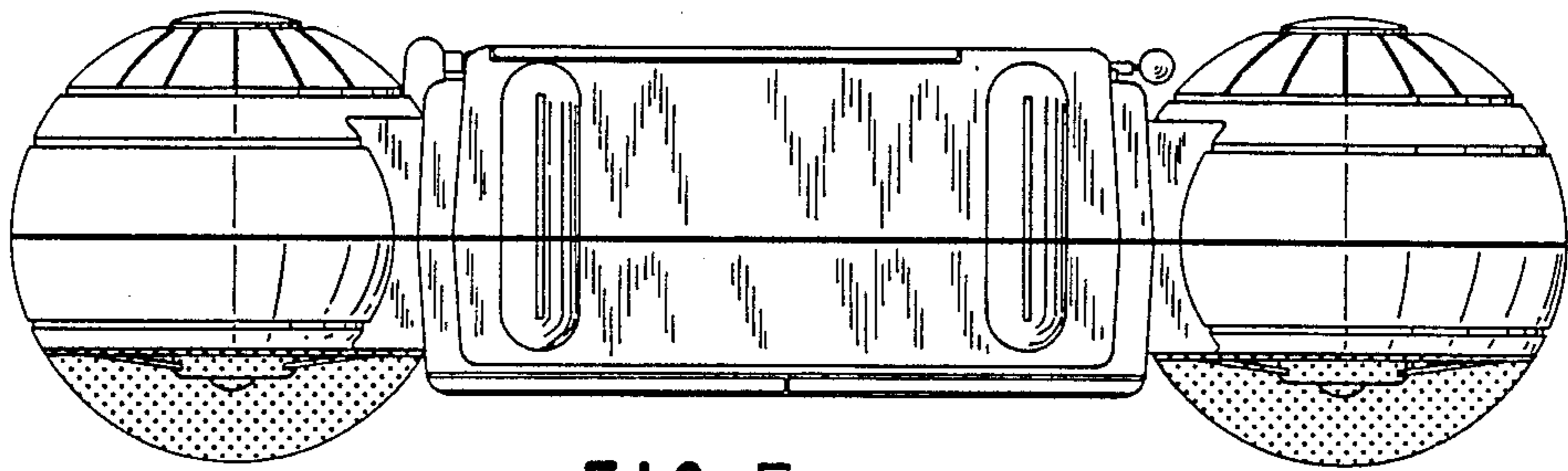


FIG. 5

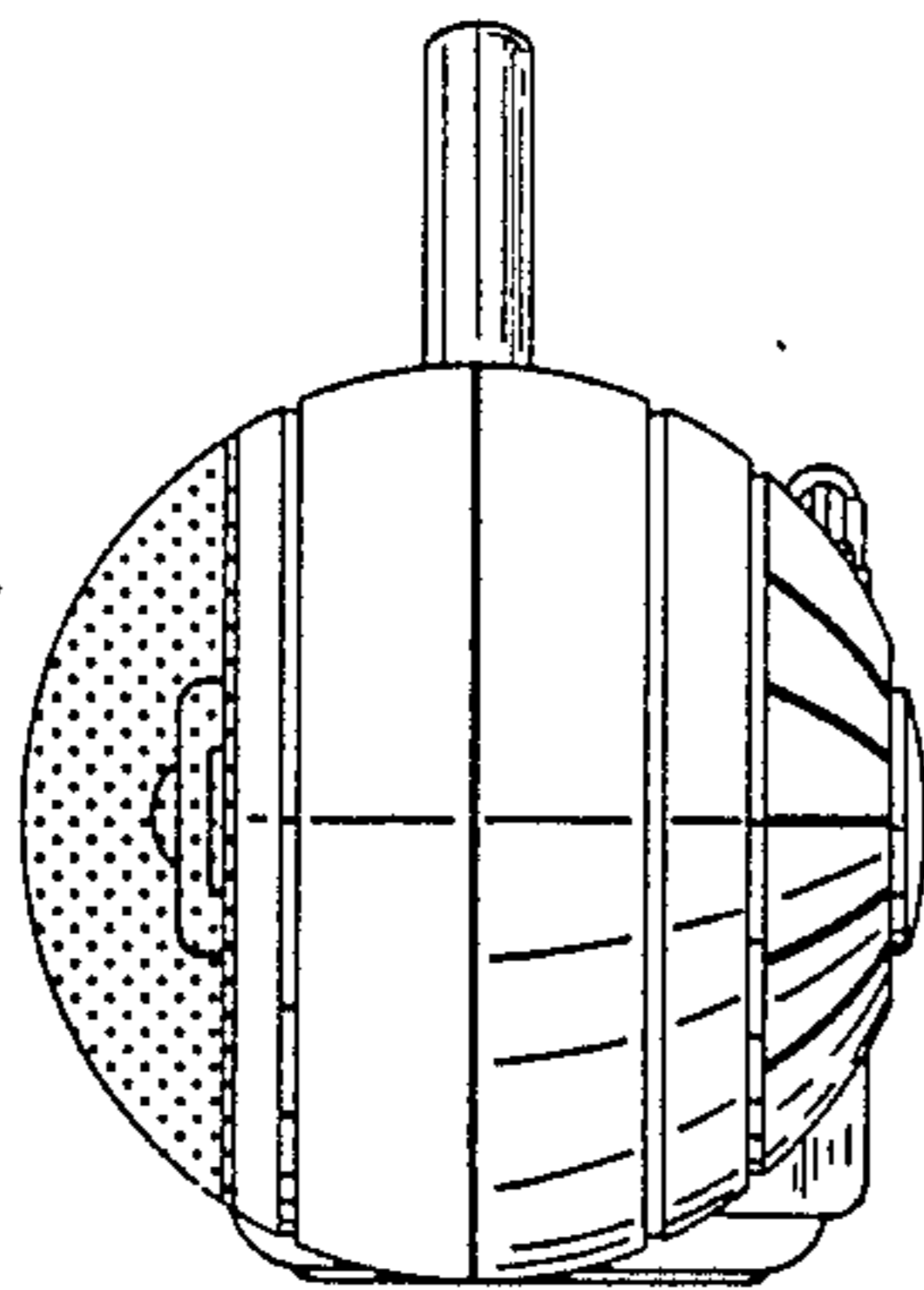


FIG. 6

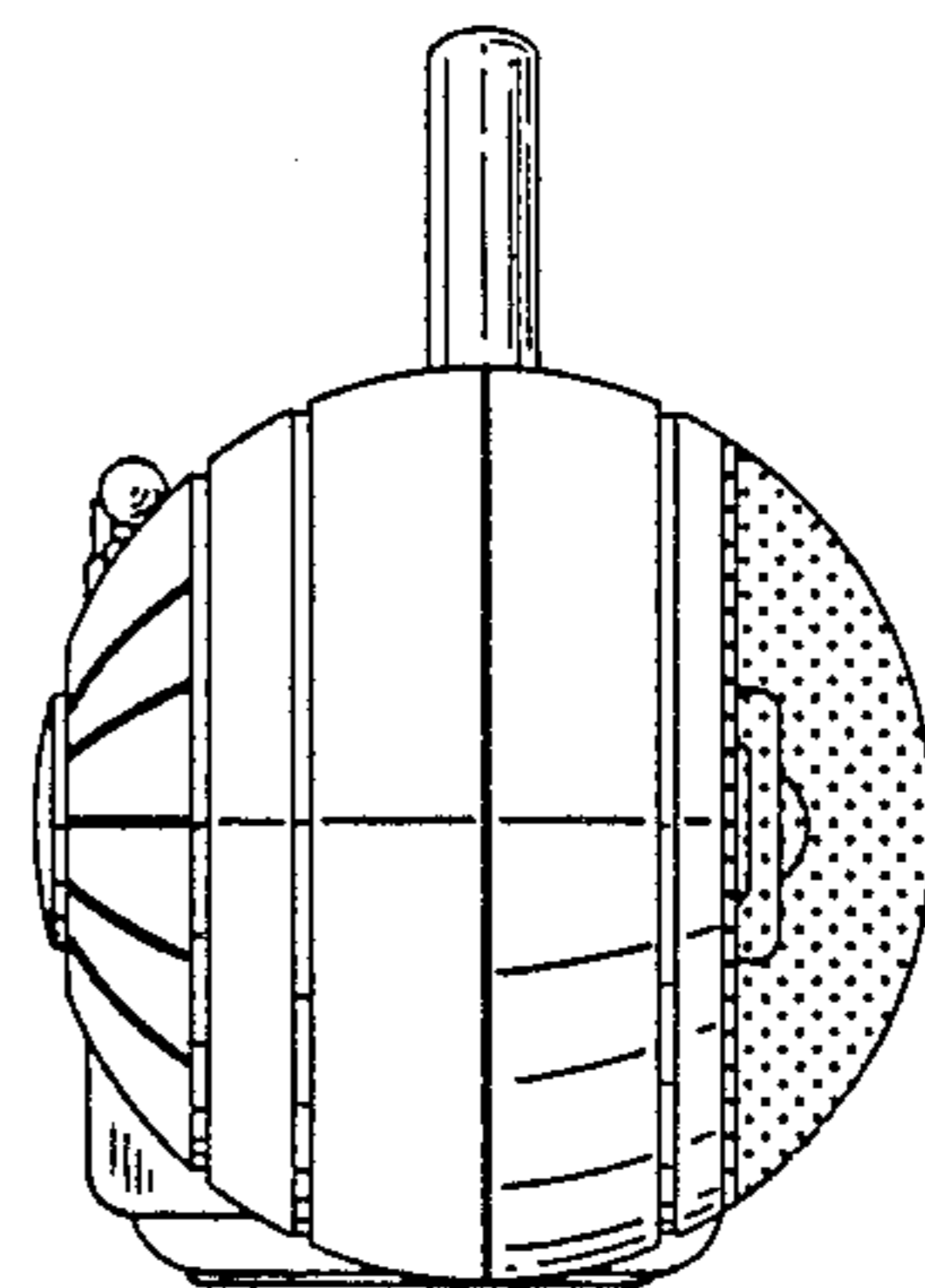


FIG. 7