

[54] **CLEANING CASSETTE FOR A MAGNETIC HEAD**

[76] Inventor: Yeh T. Wan, No. 436, Nan Da Road, Hsinchu, Taiwan

[\*\*] Term: 14 Years

[21] Appl. No.: 277,224

[22] Filed: Nov. 29, 1988

[30] **Foreign Application Priority Data**

Mar. 17, 1988 [TW] Taiwan ..... 77301392

[52] U.S. Cl. .... D14/121

[58] Field of Search ..... D14/120, 121, 122; 360/132, 134; 242/55.19 A, 197, 198, 199; 273/DIG. 28

[56] **References Cited**

**U.S. PATENT DOCUMENTS**

- D. 266,419 10/1982 Hashimoto et al. .... D14/121
- D. 304,452 11/1989 Gelardi et al. .... D14/121
- 4,674,000 6/1987 Lee ..... 360/132
- 4,733,317 3/1988 Sato et al. .... 360/132

*Primary Examiner*—Bernard Ansher  
*Assistant Examiner*—David Jeo  
*Attorney, Agent, or Firm*—Ladas & Parry

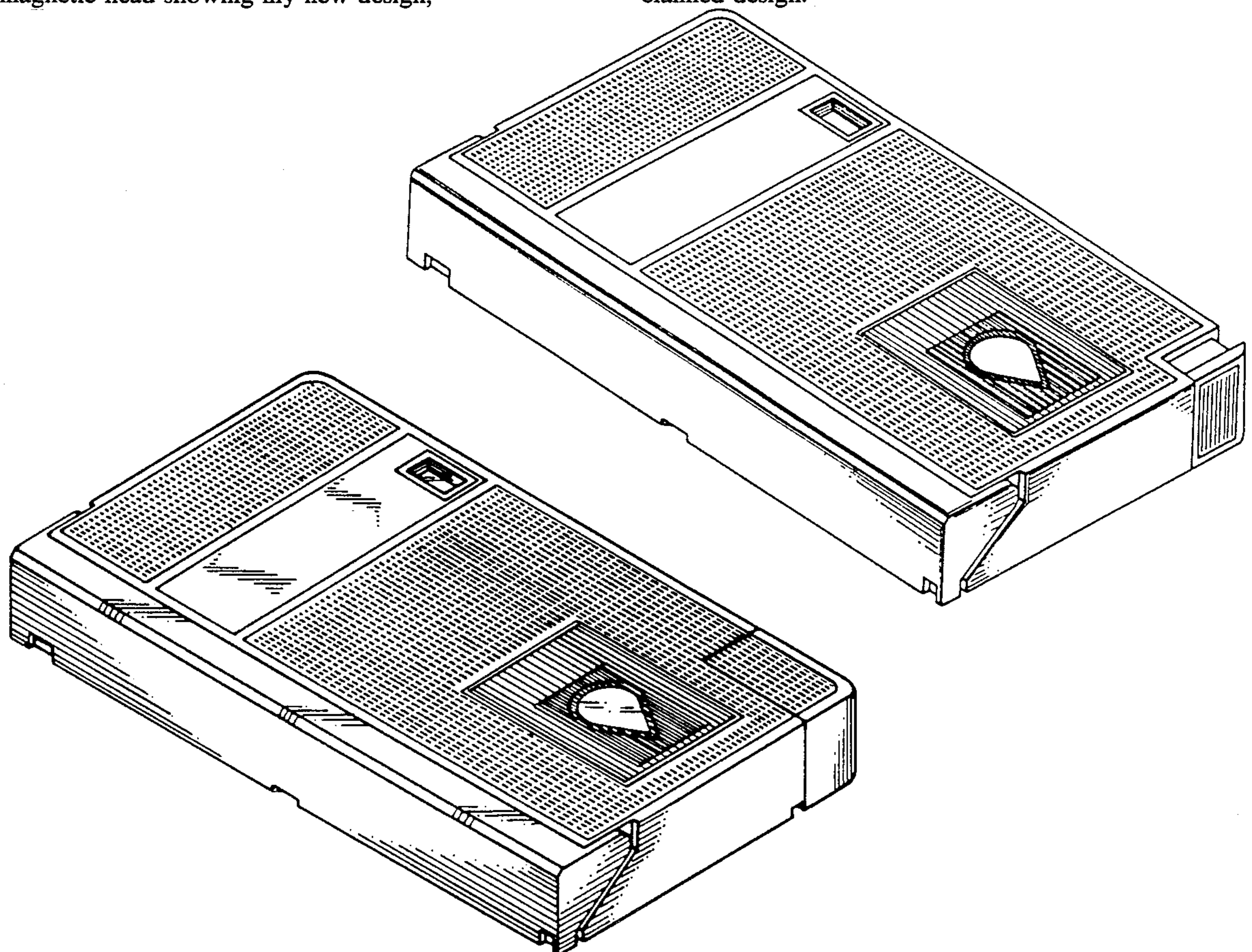
[57] **CLAIM**

The ornamental design for a cleaning cassette for a magnetic head, as shown.

**DESCRIPTION**

FIG. 1 is a perspective view of a cleaning cassette for a magnetic head showing my new design;

FIG. 2 is a perspective view thereof showing the protective cover in an open position;  
 FIG. 3 is a front elevational view thereof;  
 FIG. 4 is a rear elevational view thereof;  
 FIG. 5 is a left side elevational view thereof;  
 FIG. 6 is a right side elevational view thereof;  
 FIG. 7 is a top plan view;  
 FIG. 8 is a bottom plan view thereof;  
 FIG. 9 is a perspective view of a second embodiment thereof;  
 FIG. 10 is a front elevational view thereof;  
 FIG. 11 is a rear elevational view thereof;  
 FIG. 12 is a left side elevational view thereof;  
 FIG. 13 is a right side elevational view thereof;  
 FIG. 14 is a top plan view thereof;  
 FIG. 15 is a bottom plan view thereof;  
 FIG. 16 is a perspective view of a third embodiment thereof;  
 FIG. 17 is a front elevational view thereof;  
 FIG. 18 is a rear elevational view thereof;  
 FIG. 19 is a left side elevational view thereof;  
 FIG. 20 is a right side elevational view thereof;  
 FIG. 21 is a top plan view thereof;  
 FIG. 22 is a bottom plan view thereof;  
 FIG. 23 is a perspective view of a fourth embodiment thereof;  
 FIG. 24 is a front elevational view thereof;  
 FIG. 25 is a rear elevational view thereof;  
 FIG. 26 is a left side elevational view thereof;  
 FIG. 27 is a right side elevational view thereof;  
 FIG. 28 is a top plan view thereof; and  
 FIG. 29 is a bottom plan view thereof.  
 The broken line showing of the tape shown in FIG. 2 is for illustrative purposes only and forms no part of the claimed design.



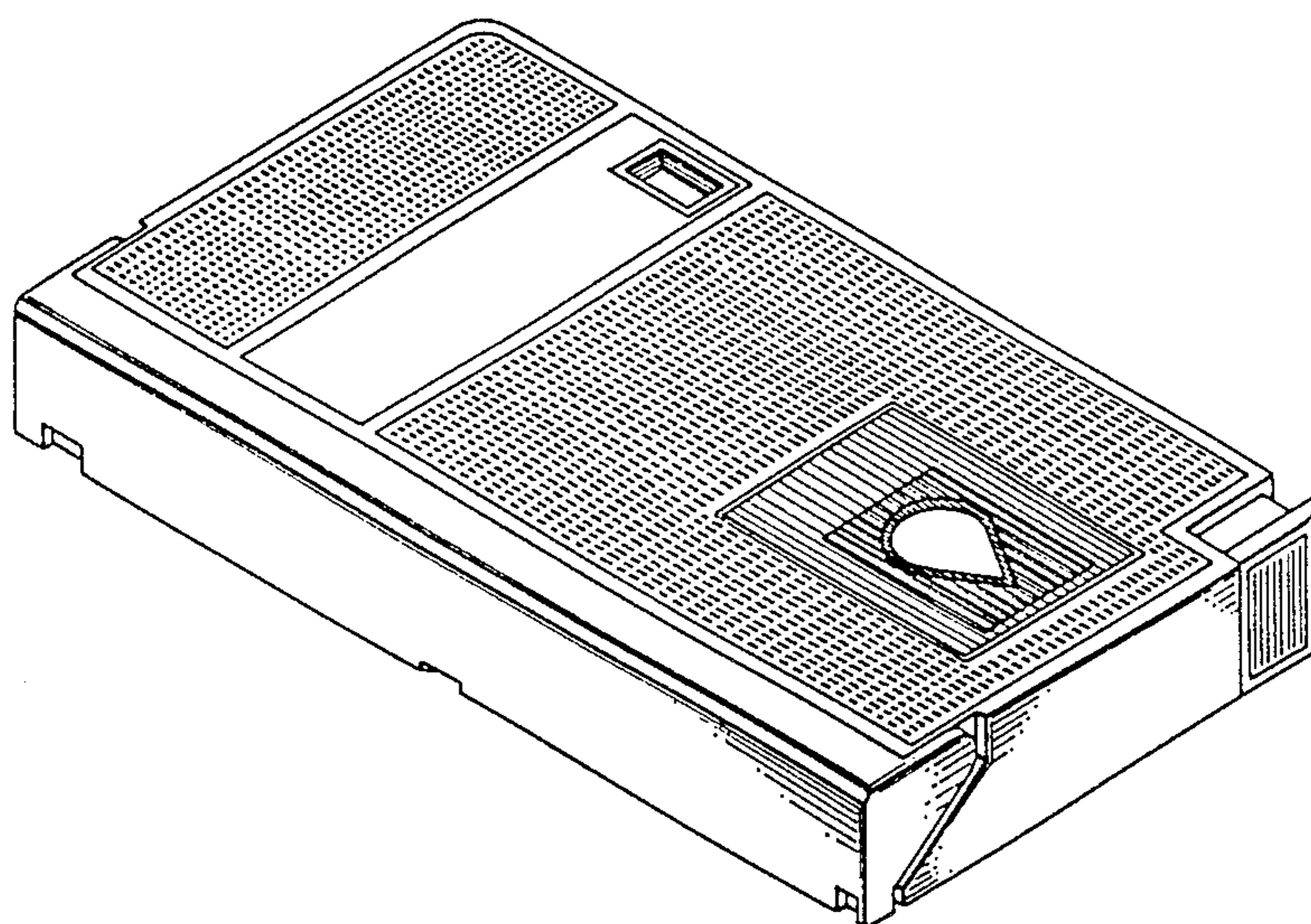


FIG. 1

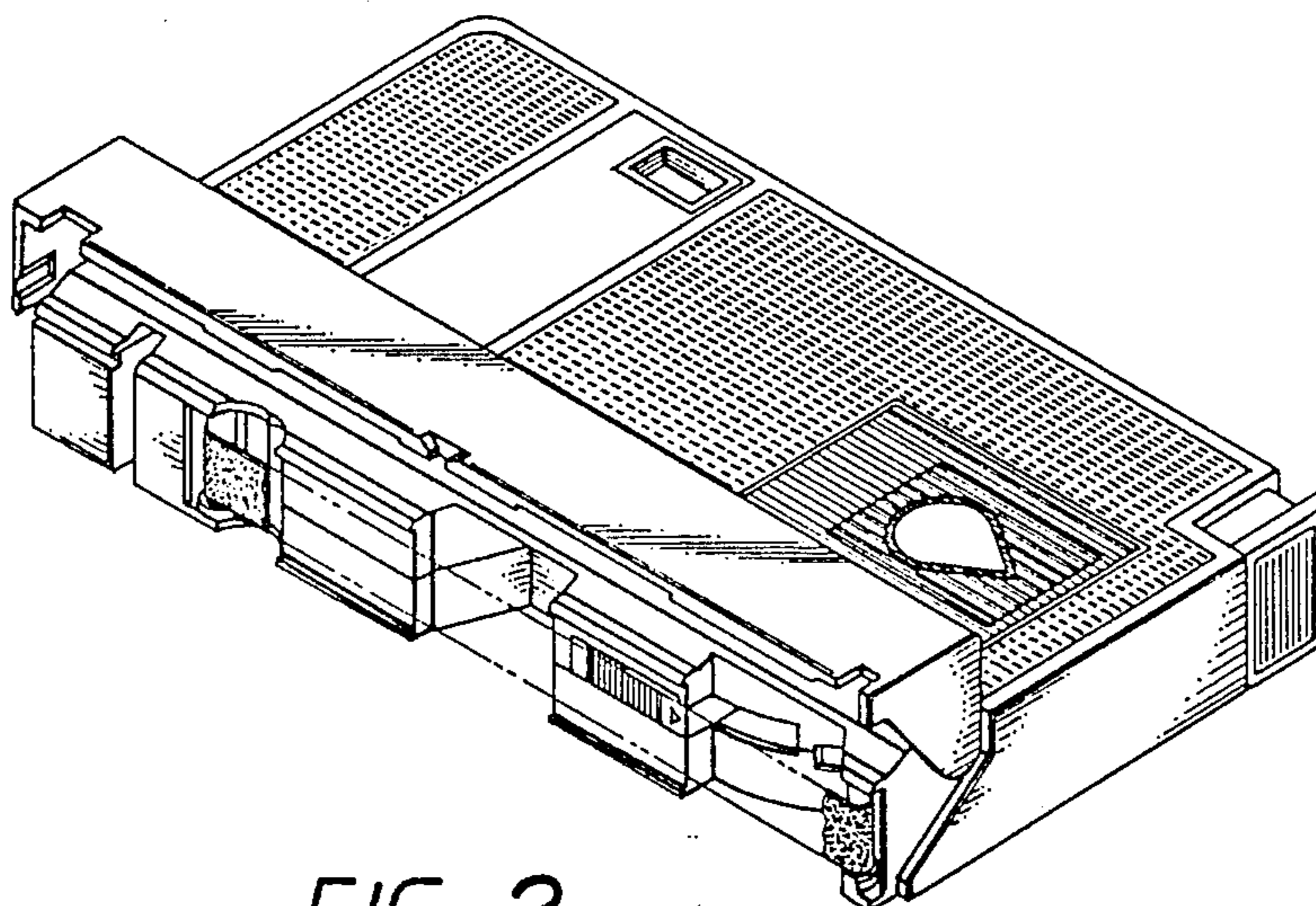


FIG. 2

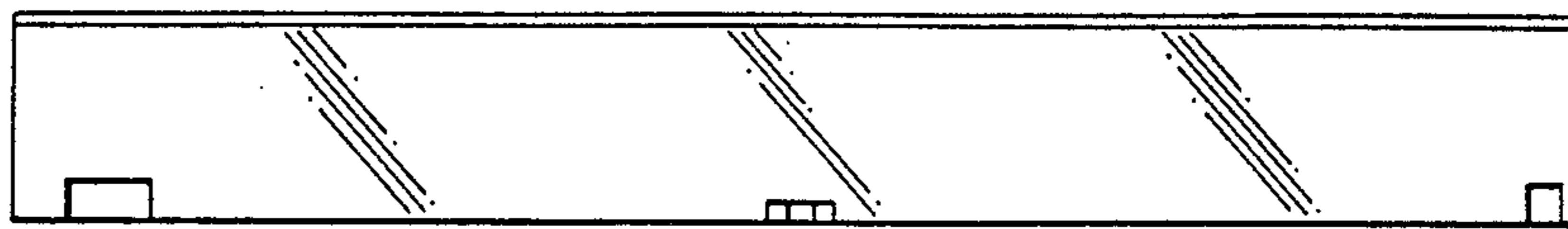


FIG. 3



FIG. 4



FIG. 5

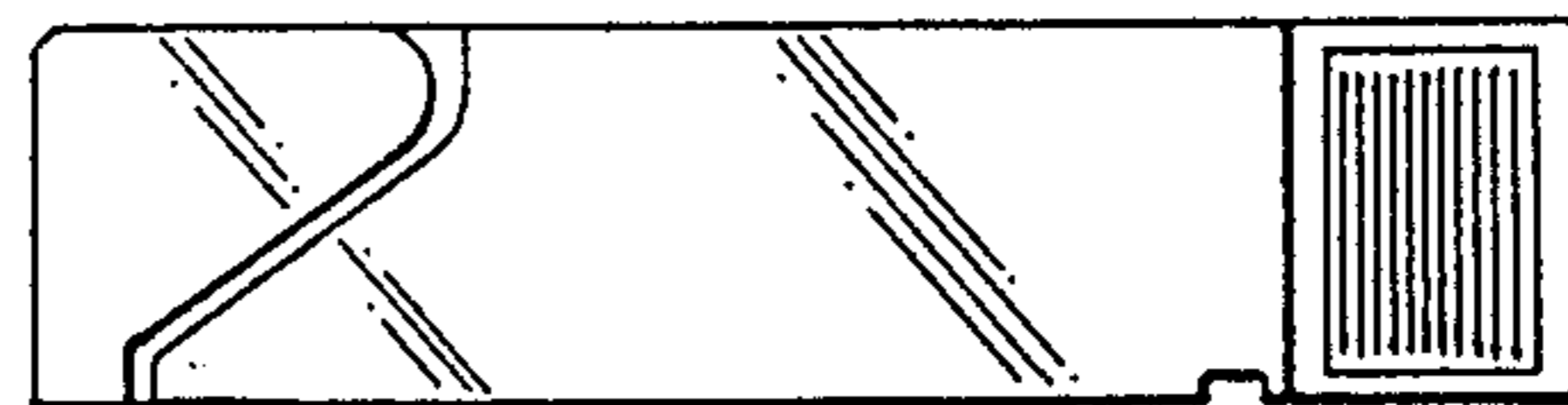


FIG. 6

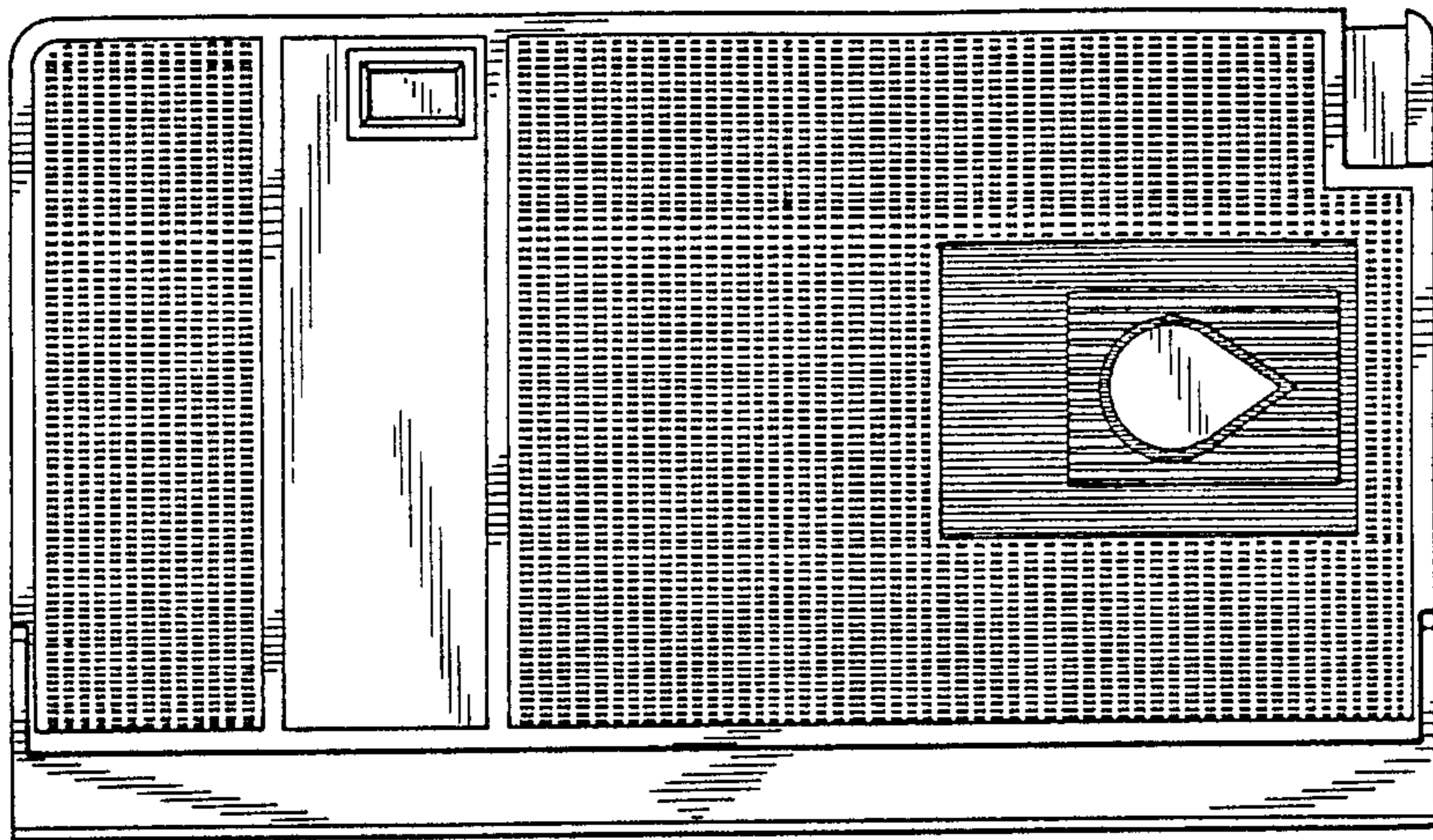


FIG. 7

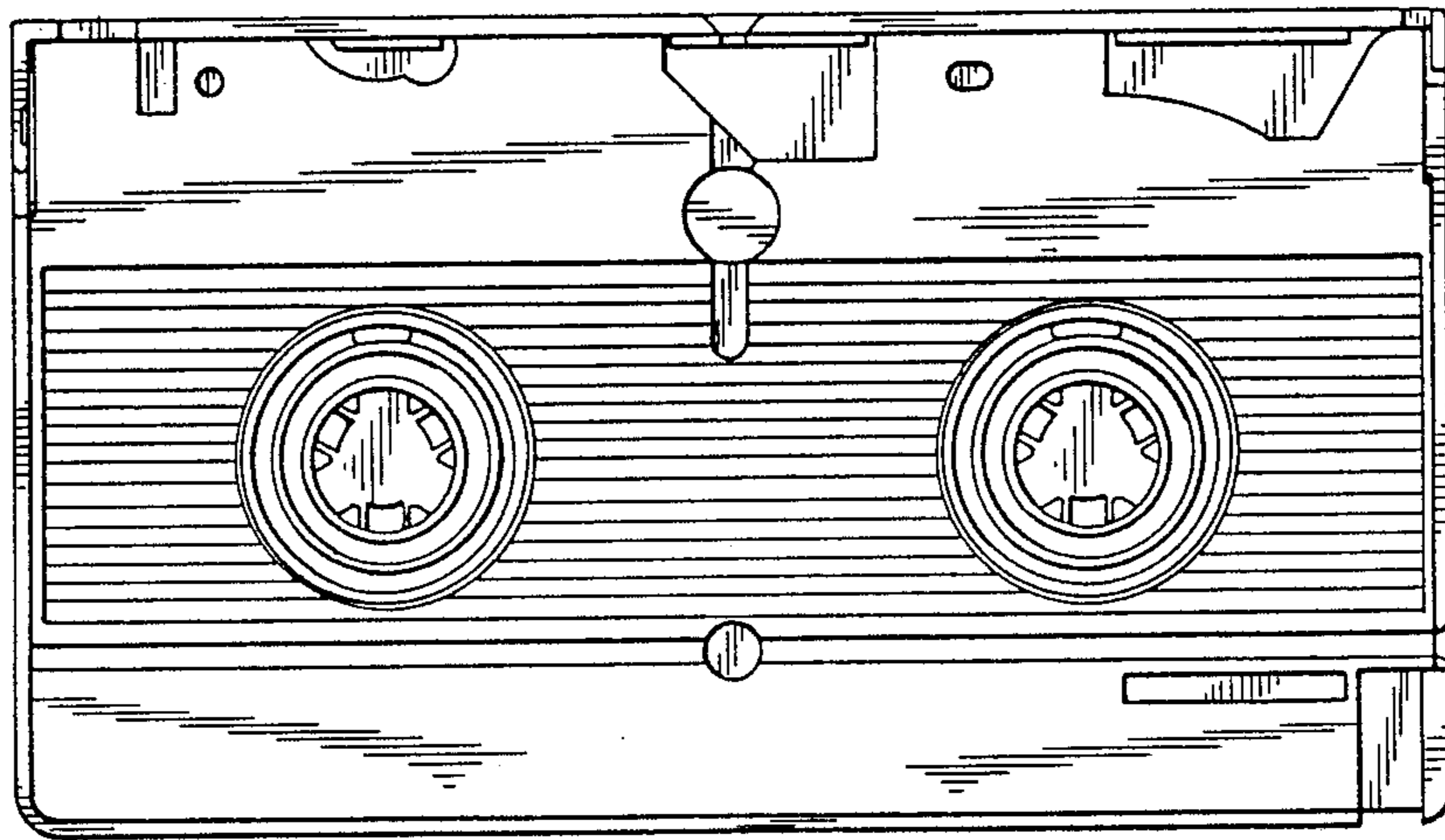


FIG. 8

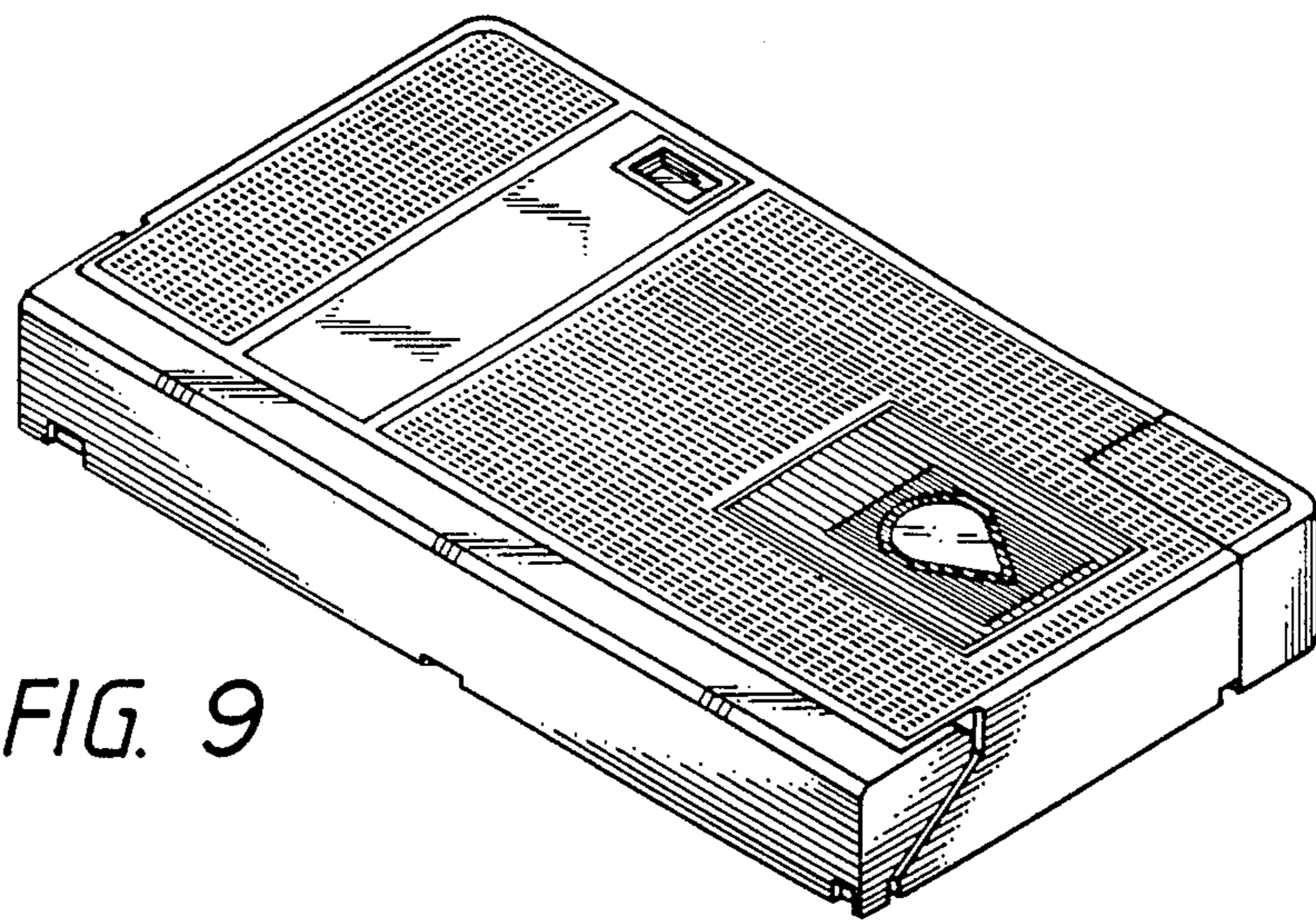


FIG. 9

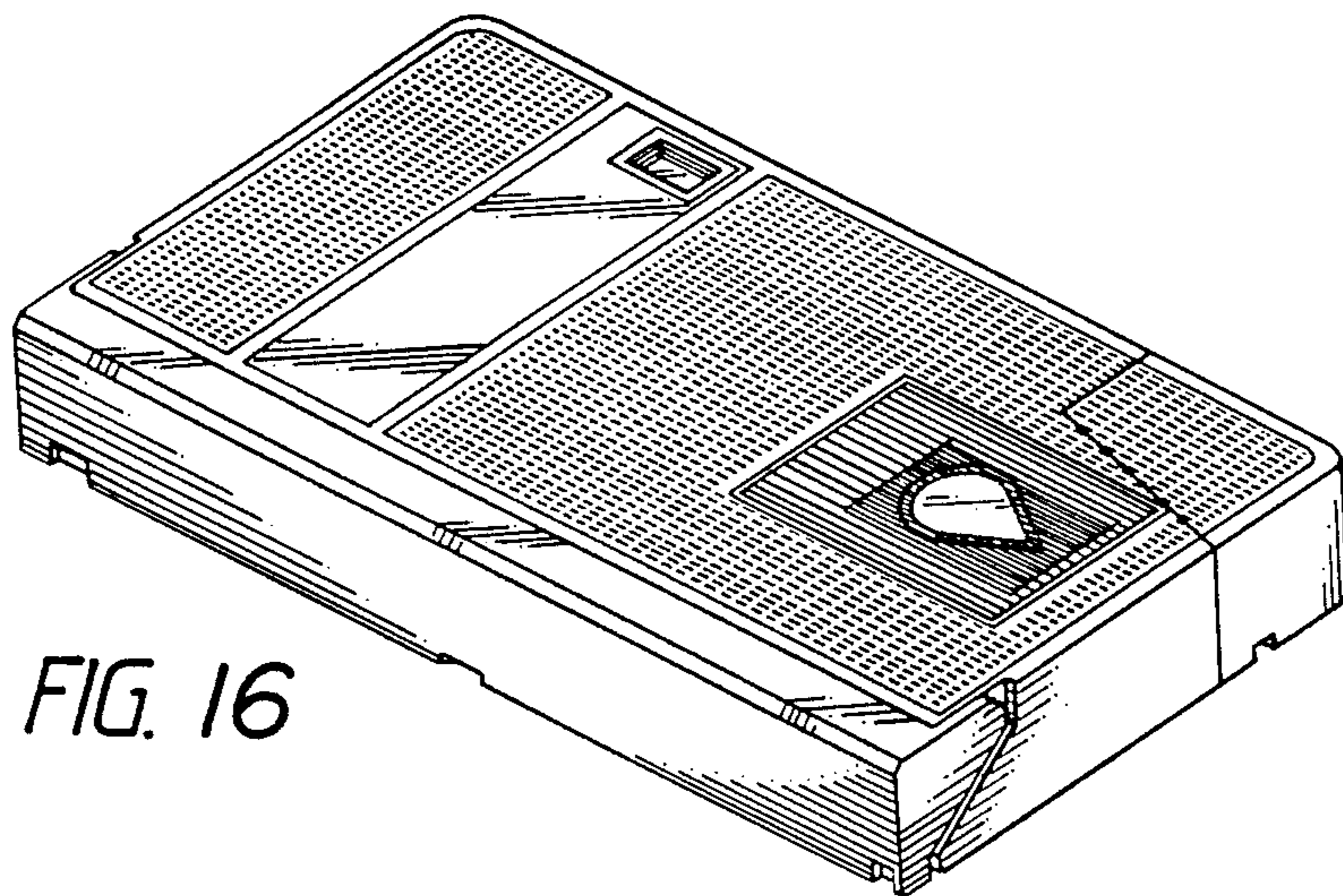


FIG. 16

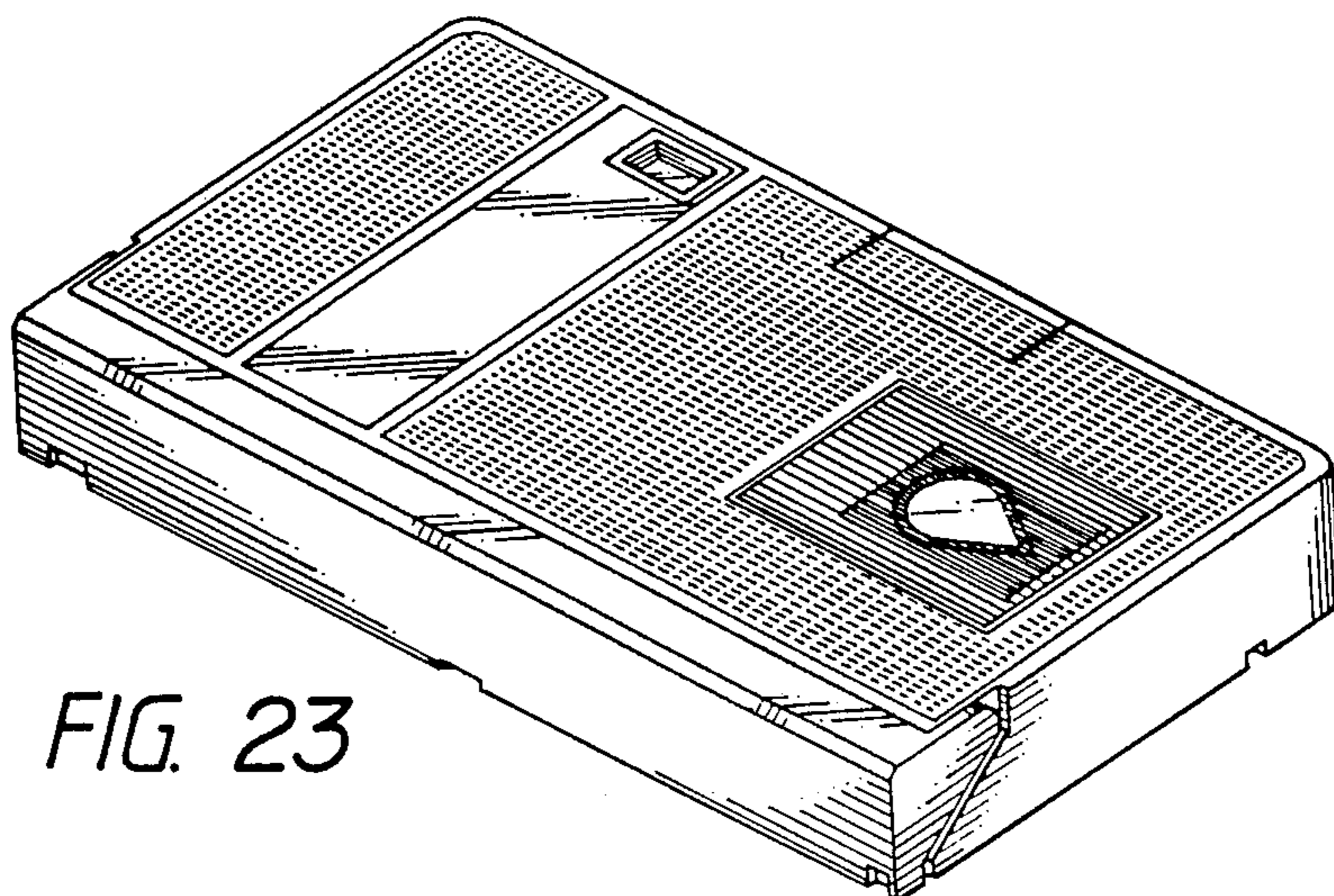


FIG. 23

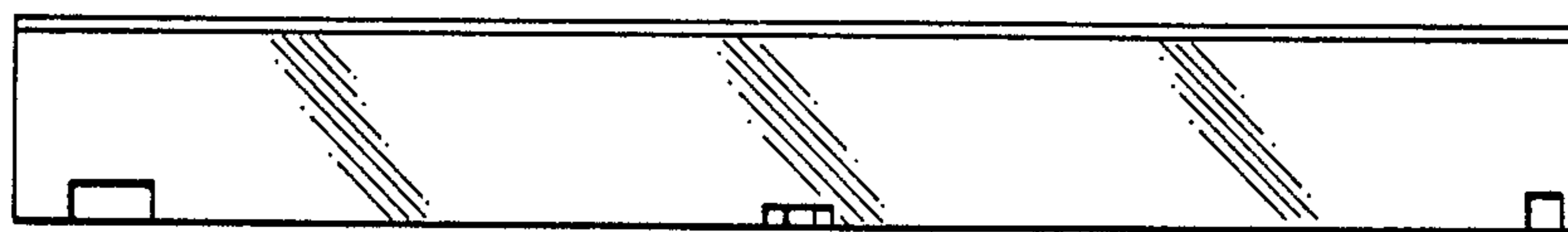


FIG. 10

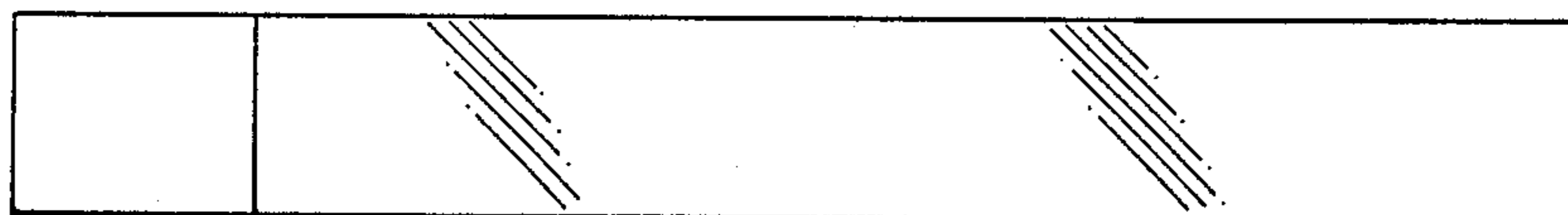


FIG. 11

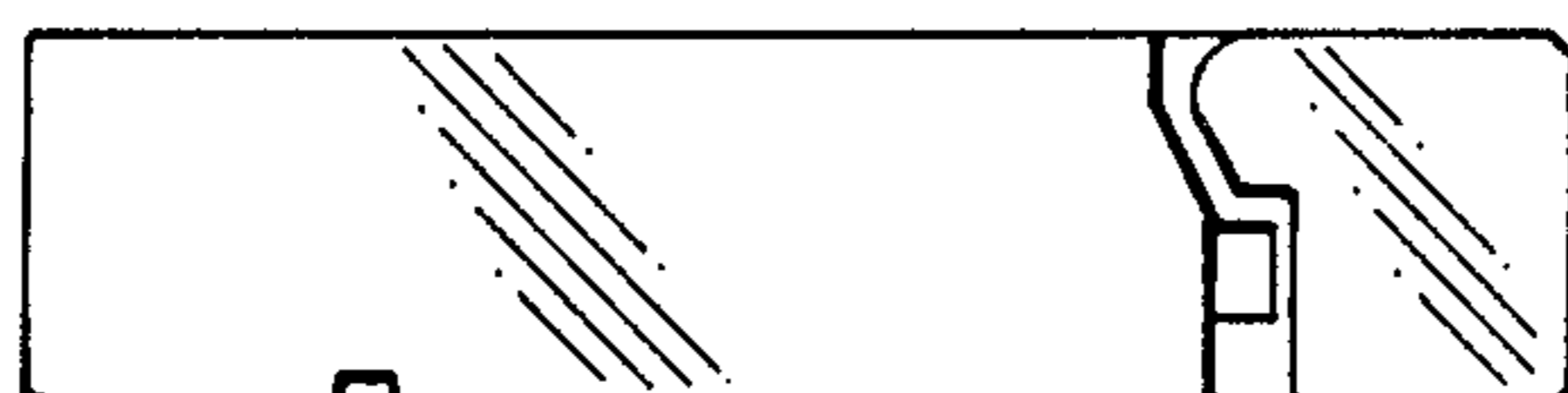


FIG. 12

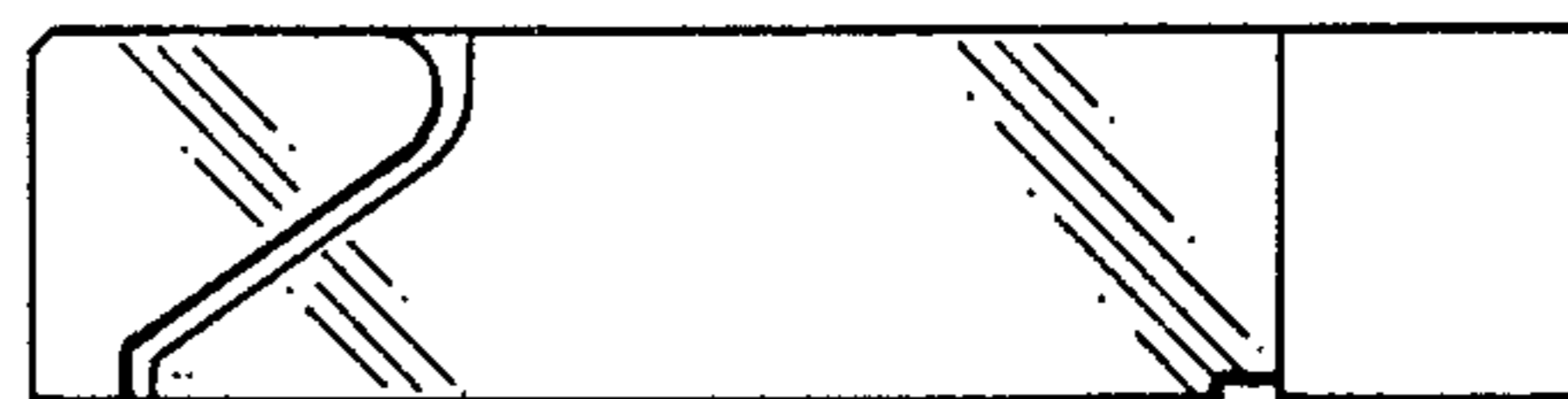


FIG. 13

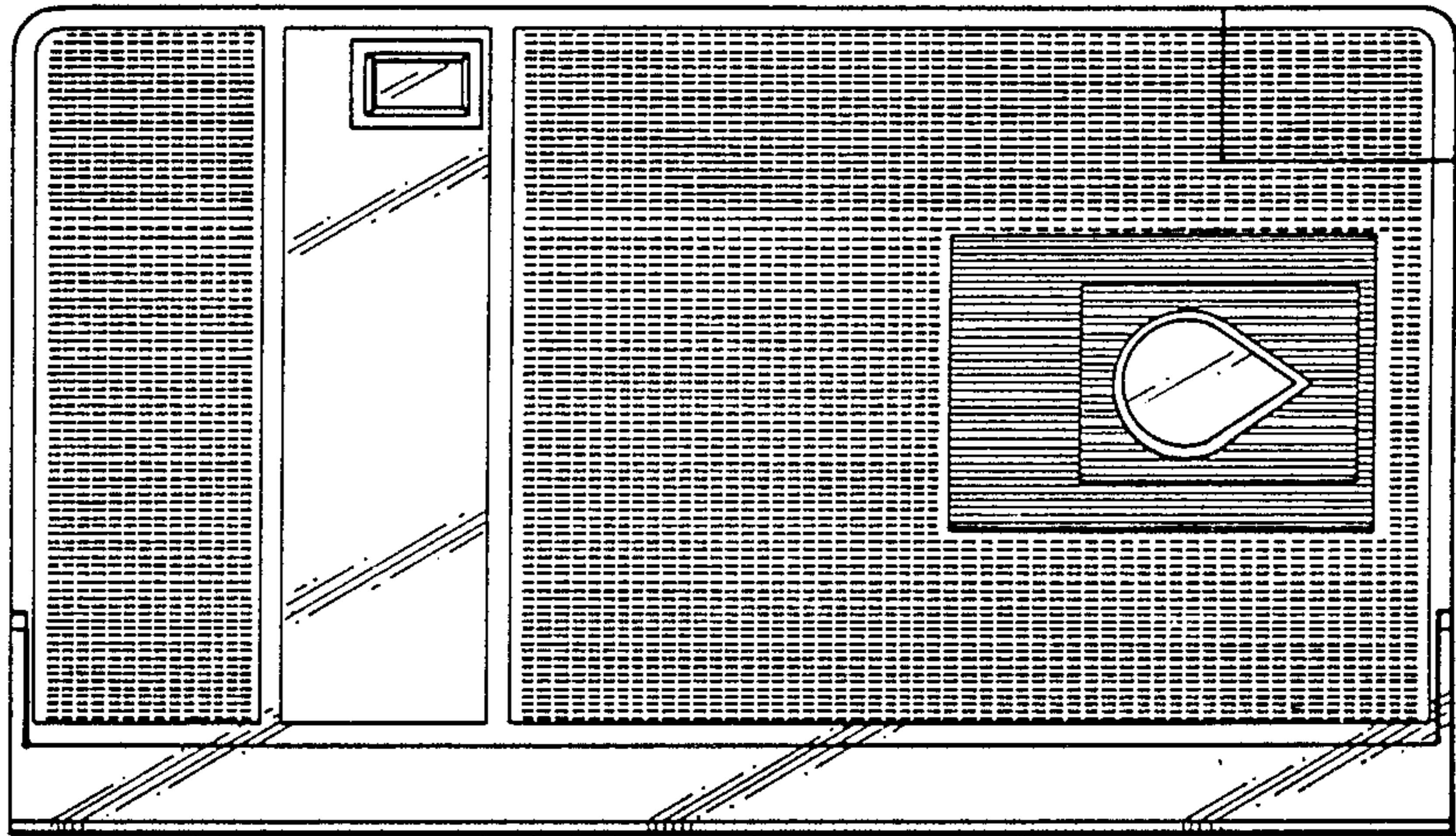


FIG. 14

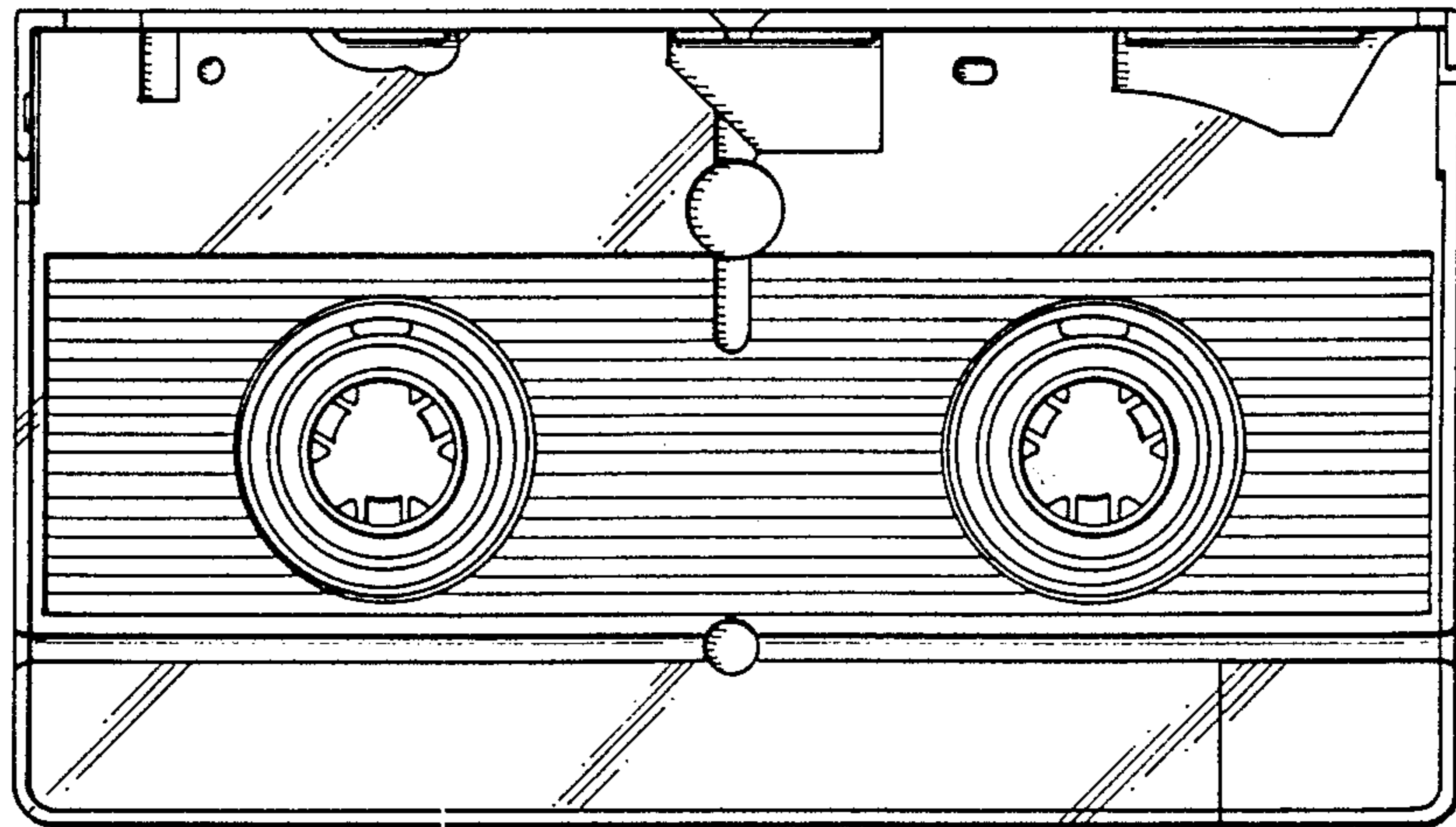


FIG. 15

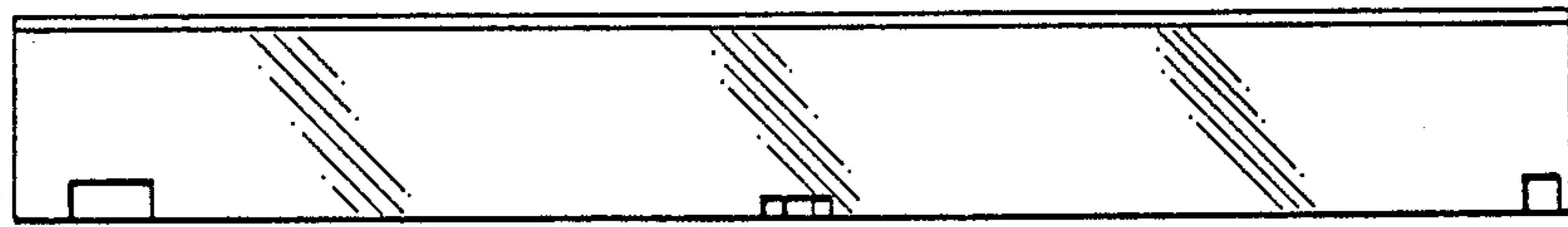


FIG. 17



FIG. 18

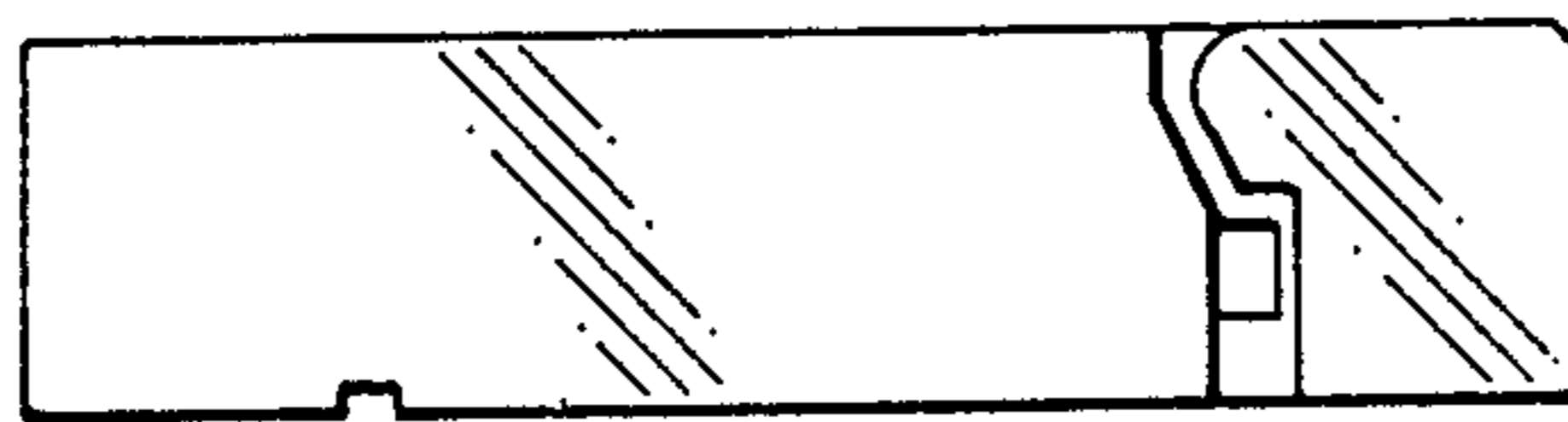


FIG. 19



FIG. 20



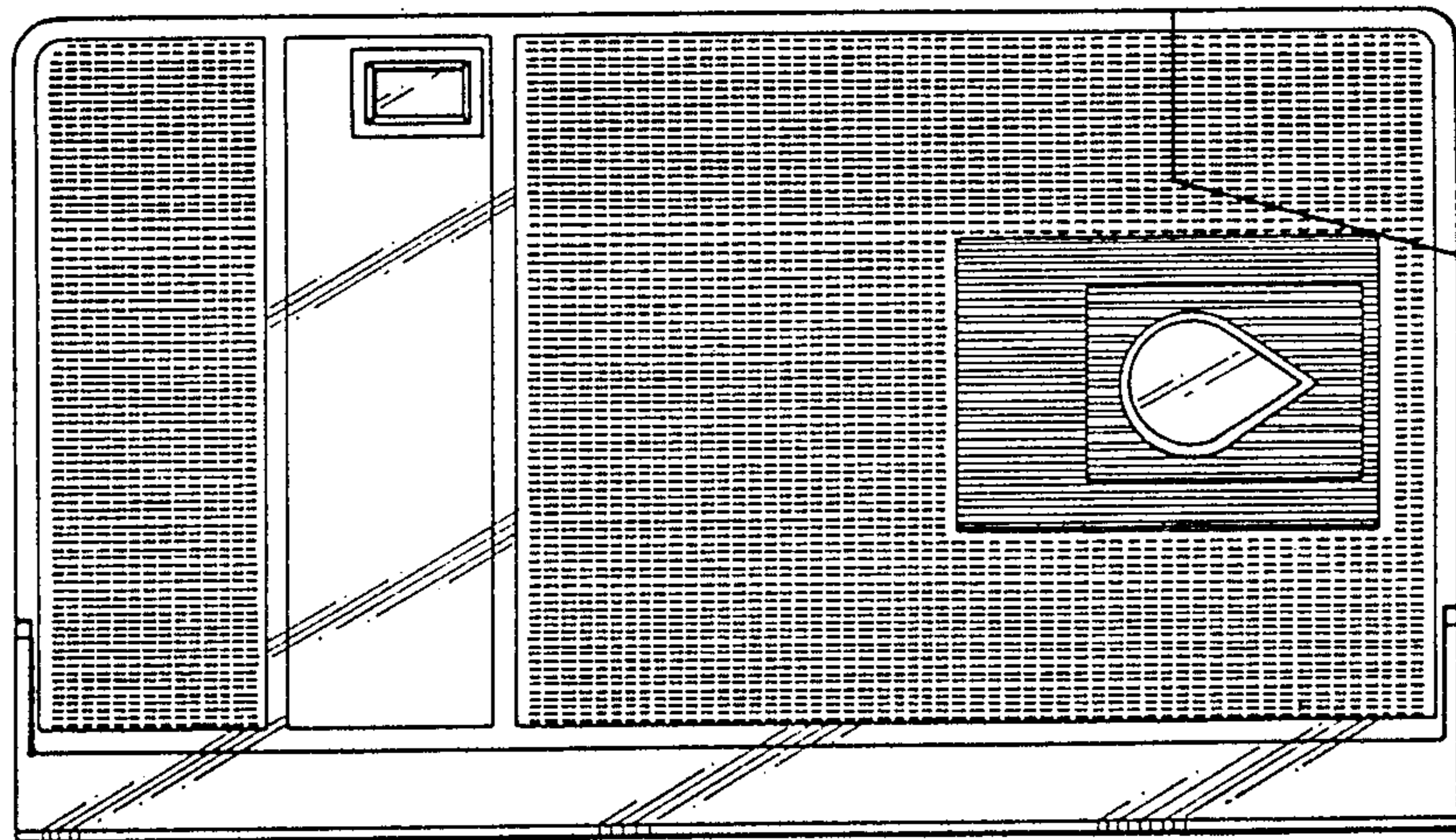


FIG. 21

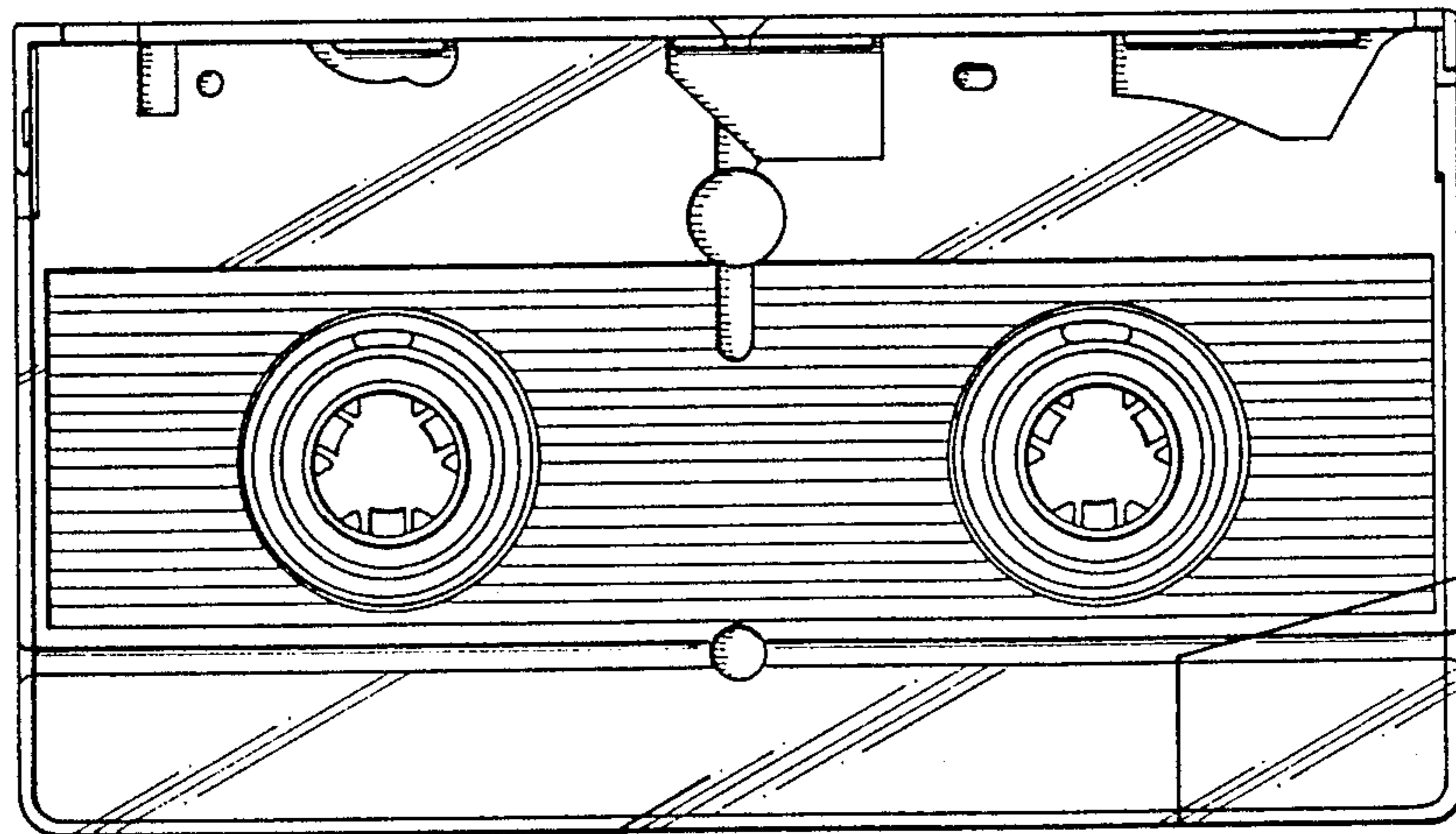


FIG. 22

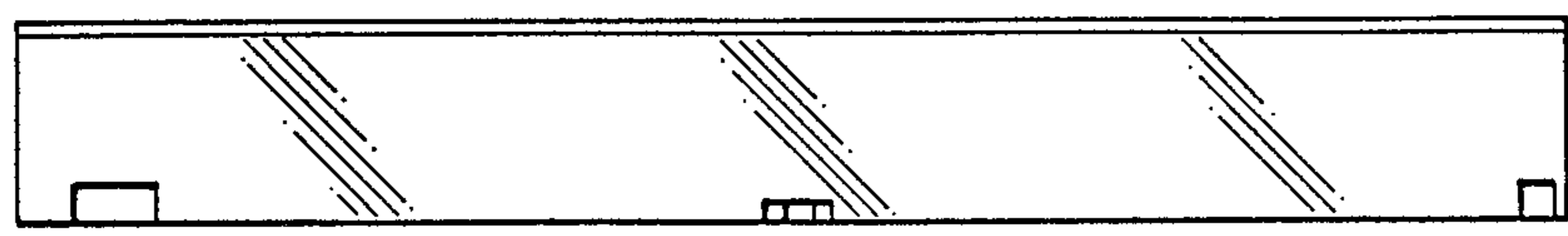


FIG. 24

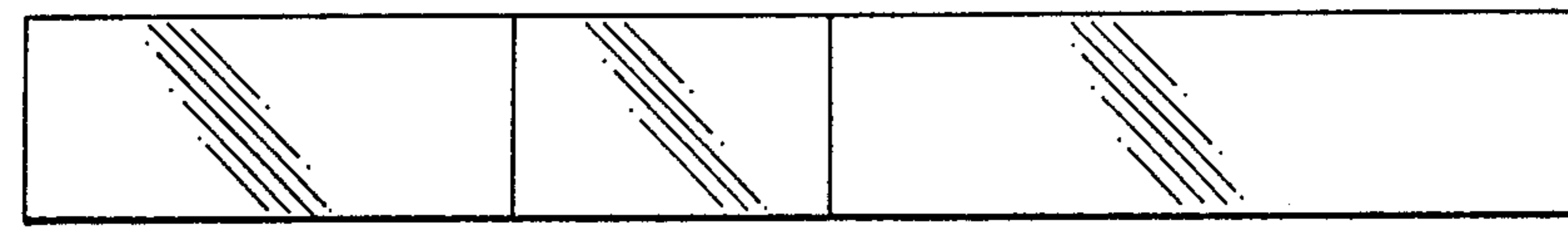


FIG. 25

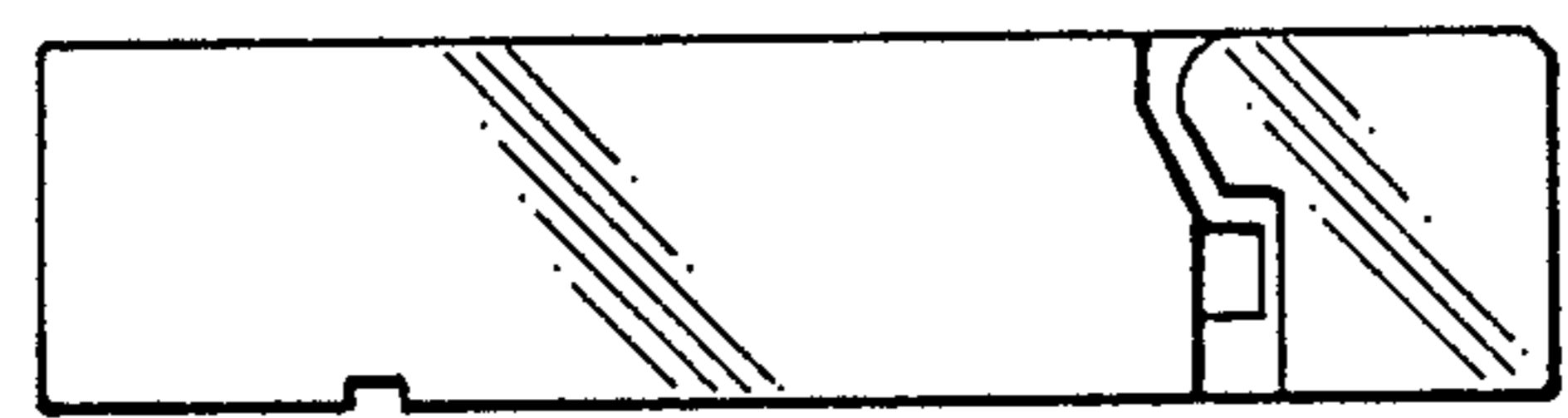


FIG. 26

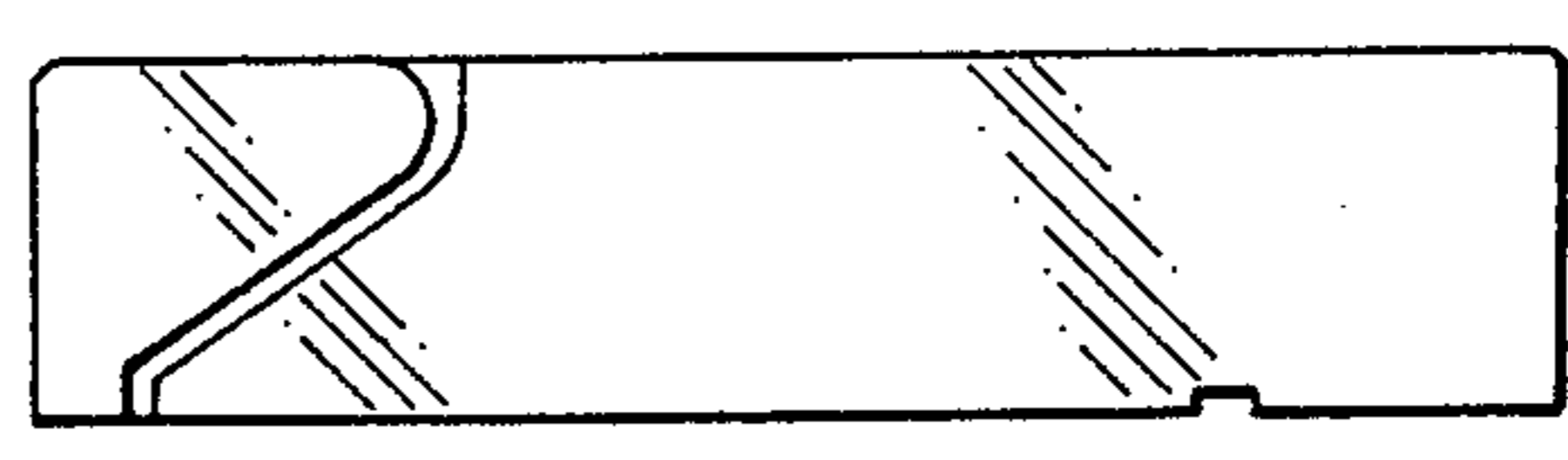


FIG. 27

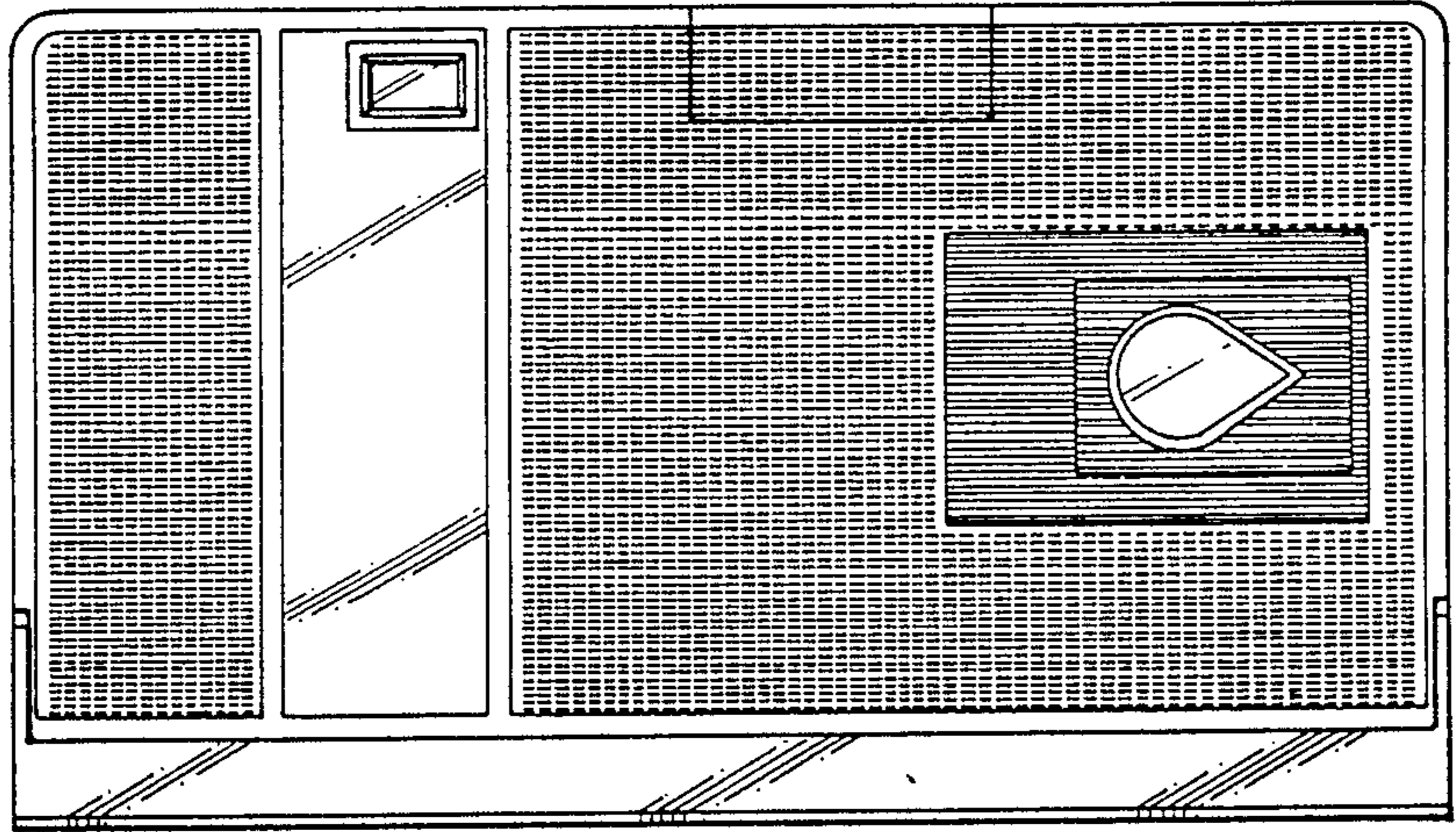


FIG. 28

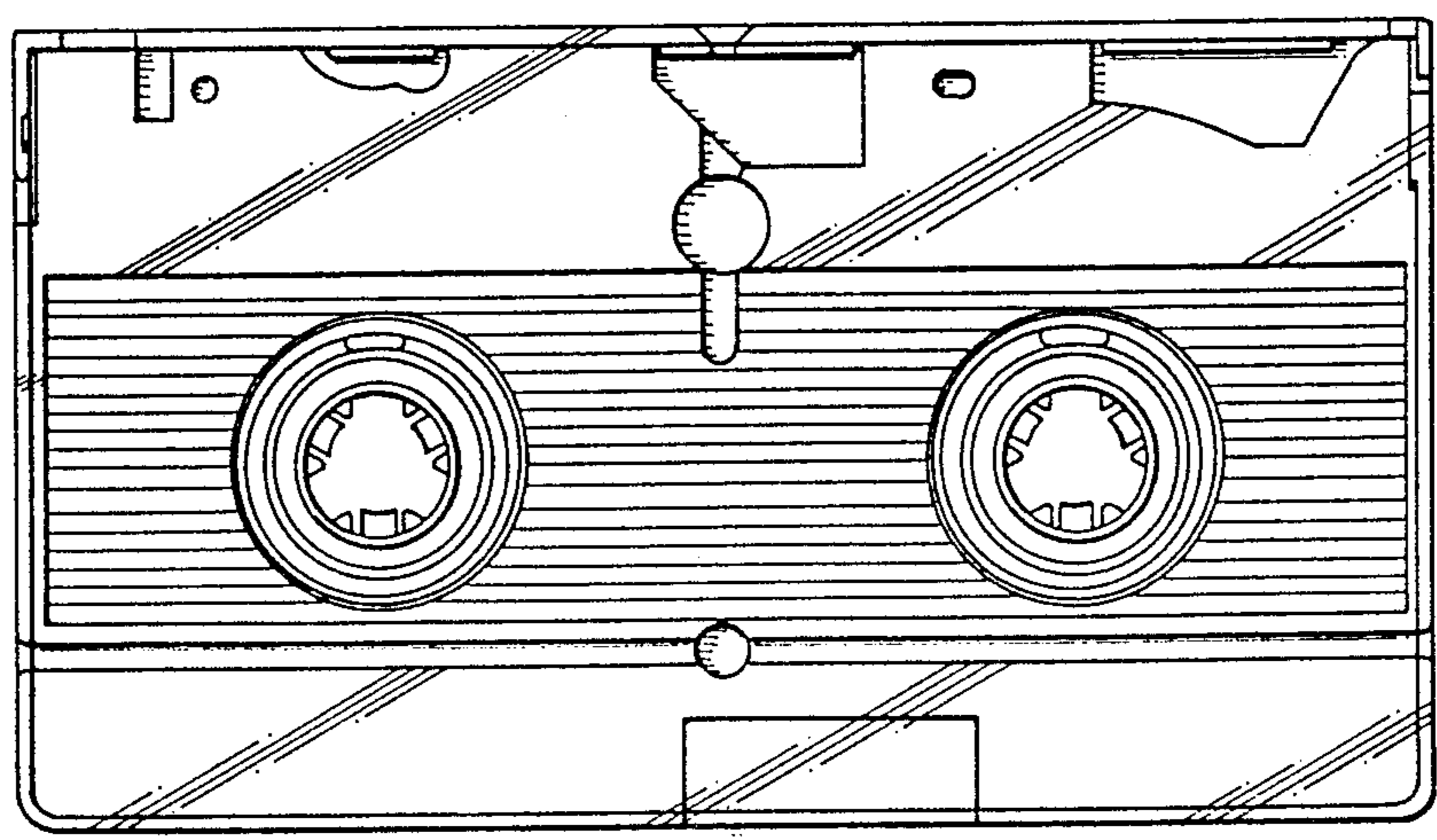


FIG. 29