

[54] DISPLAY MONITOR

[75] Inventors: Tsutomu Suyama; Masaharu Wakamatsu, both of Hyogo; Koji Saito; Kiyofumi Koya, both of Nagasaki, all of Japan

[73] Assignee: Mitsubishi Denki Kabushiki Kaisha, Tokyo, Japan

[**] Term: 14 Years

[21] Appl. No.: 87,947

[22] Filed: Aug. 17, 1987

[30] Foreign Application Priority Data

Feb. 17, 1987 [JP] Japan 62-5873

[52] U.S. Cl. D14/113

[58] Field of Search D14/100, 102, 105, 106, D14/107, 109, 113, 115; D18/1, 2, 6, 7, 11, 12, 13; 340/700, 706, 711, 712; 341/22, 23; 364/706-710, 130, 144, 189; 235/145 A, 145 R; 400/685, 690.1, 691, 693, 680, 681, 682, 690; 312/208; 358/248, 249, 254

[56] References Cited

U.S. PATENT DOCUMENTS

D. 277,383 1/1985 Boudreau et al. D14/113

D. 291,202 8/1987 Chang et al. D14/113
D. 295,978 5/1988 Brunner D14/113

OTHER PUBLICATIONS

Design—Jan. 1981, p. 37, The Nexos 2200 Display Monitor, Reference Box.

Primary Examiner—Susan J. Lucas
Assistant Examiner—Freda S. Nunn
Attorney, Agent, or Firm—Sughrue, Mion, Zinn, Macpeak & Seas

[57] CLAIM

The ornamental design for a display monitor, as shown and described.

DESCRIPTION

FIG. 1 is a front elevational view of a display monitor showing our new design;
FIG. 2 is a top plan view thereof;
FIG. 3 is a right side elevational view thereof;
FIG. 4 is a left side elevational view thereof;
FIG. 5 is a rear elevational view thereof;
FIG. 6 is a bottom plan view thereof;
FIG. 7 is a front, top and right side perspective view thereof, on an enlarged scale;
FIG. 8 is a vertical sectional view thereof, taken on line VIII—VIII of FIG. 1.

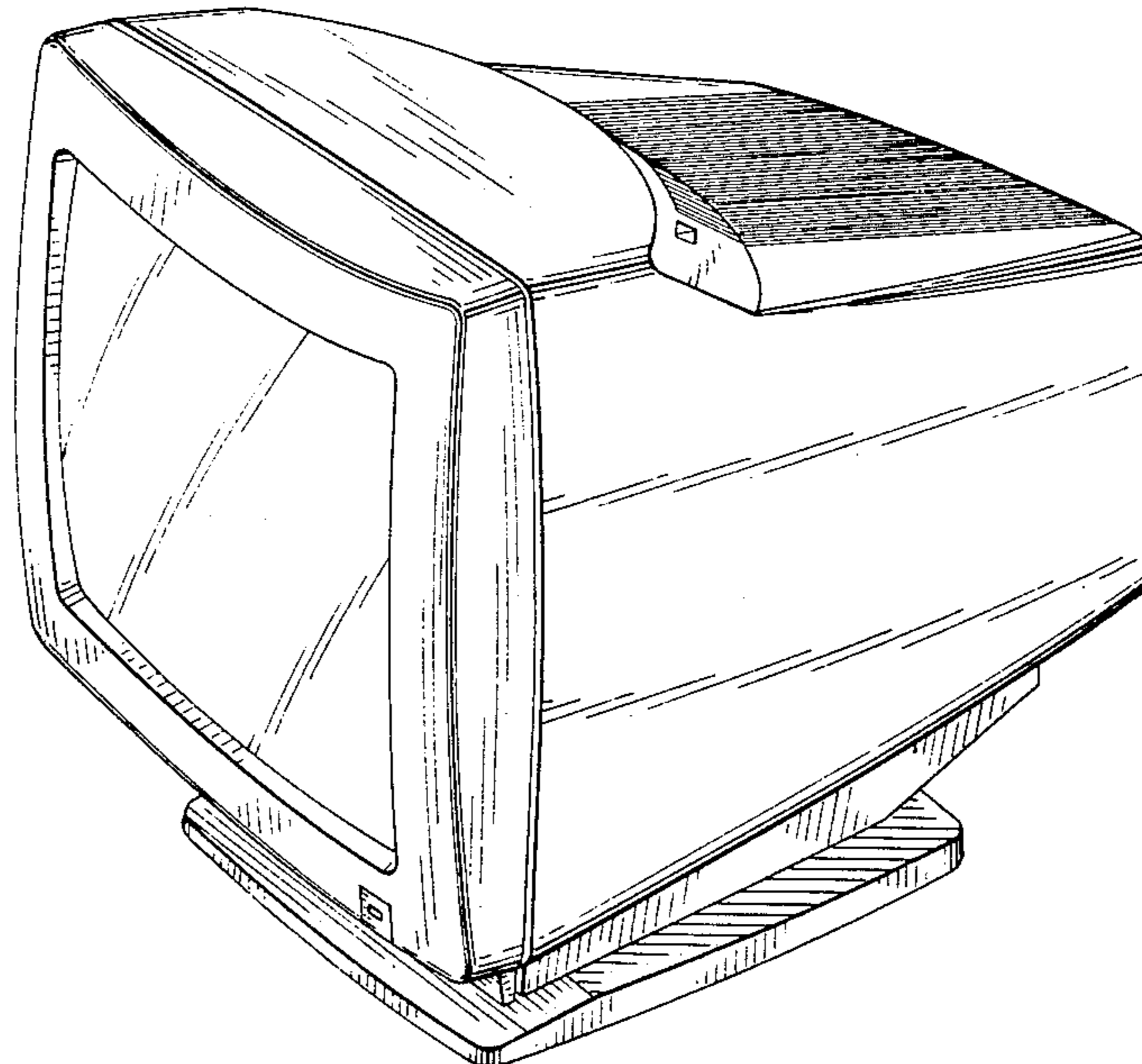


FIG. 1

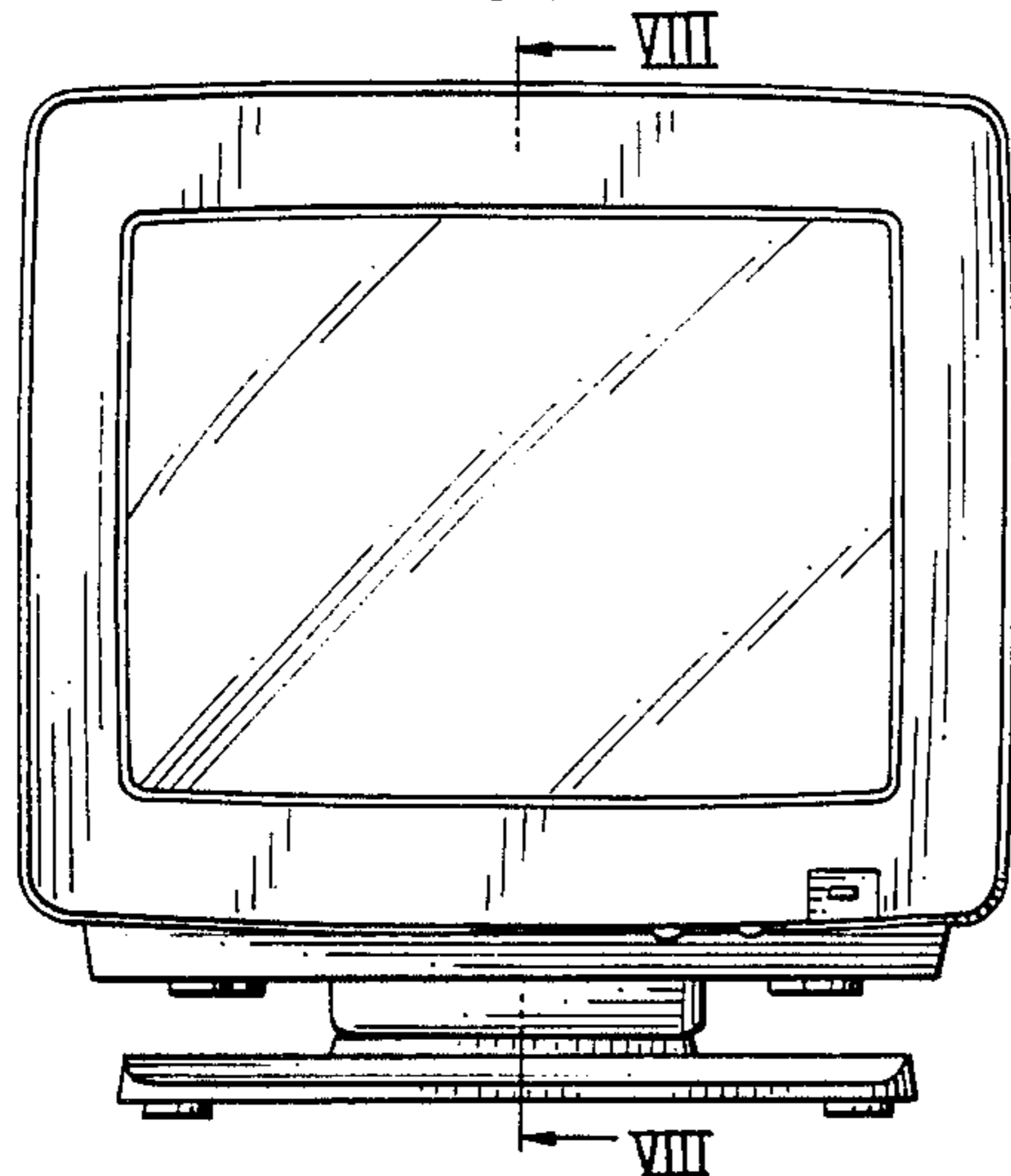


FIG. 5

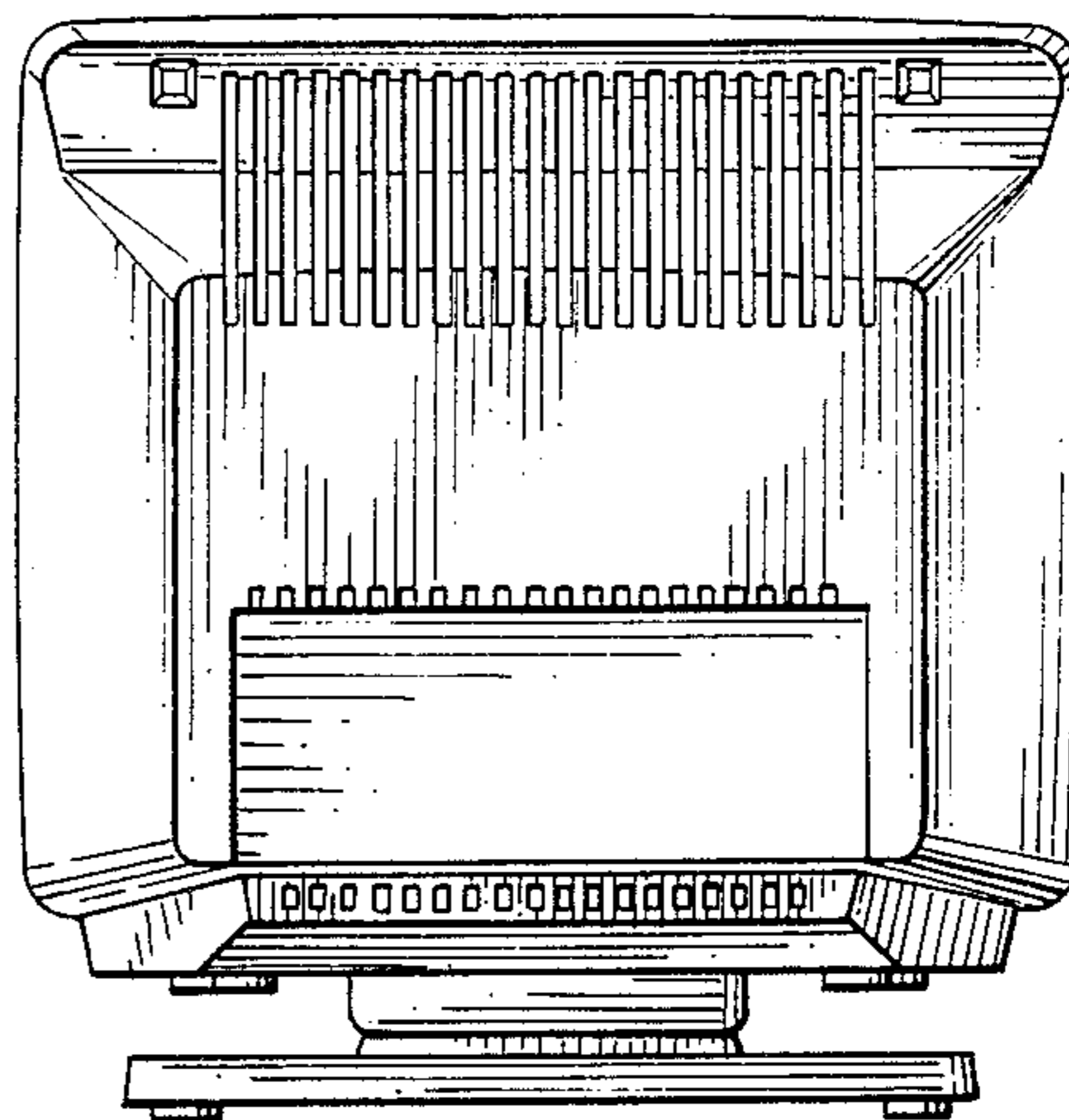


FIG. 3

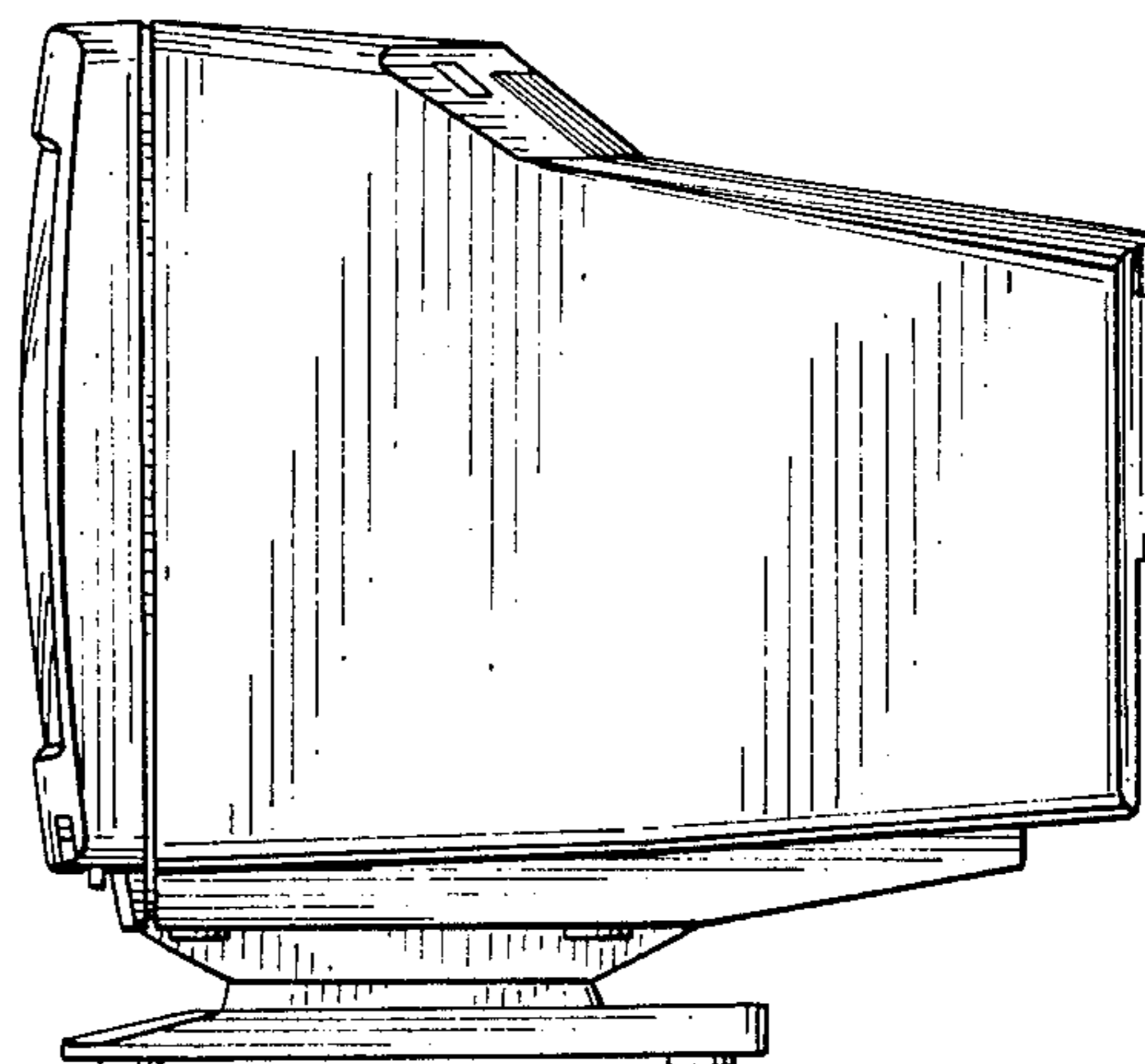


FIG. 4

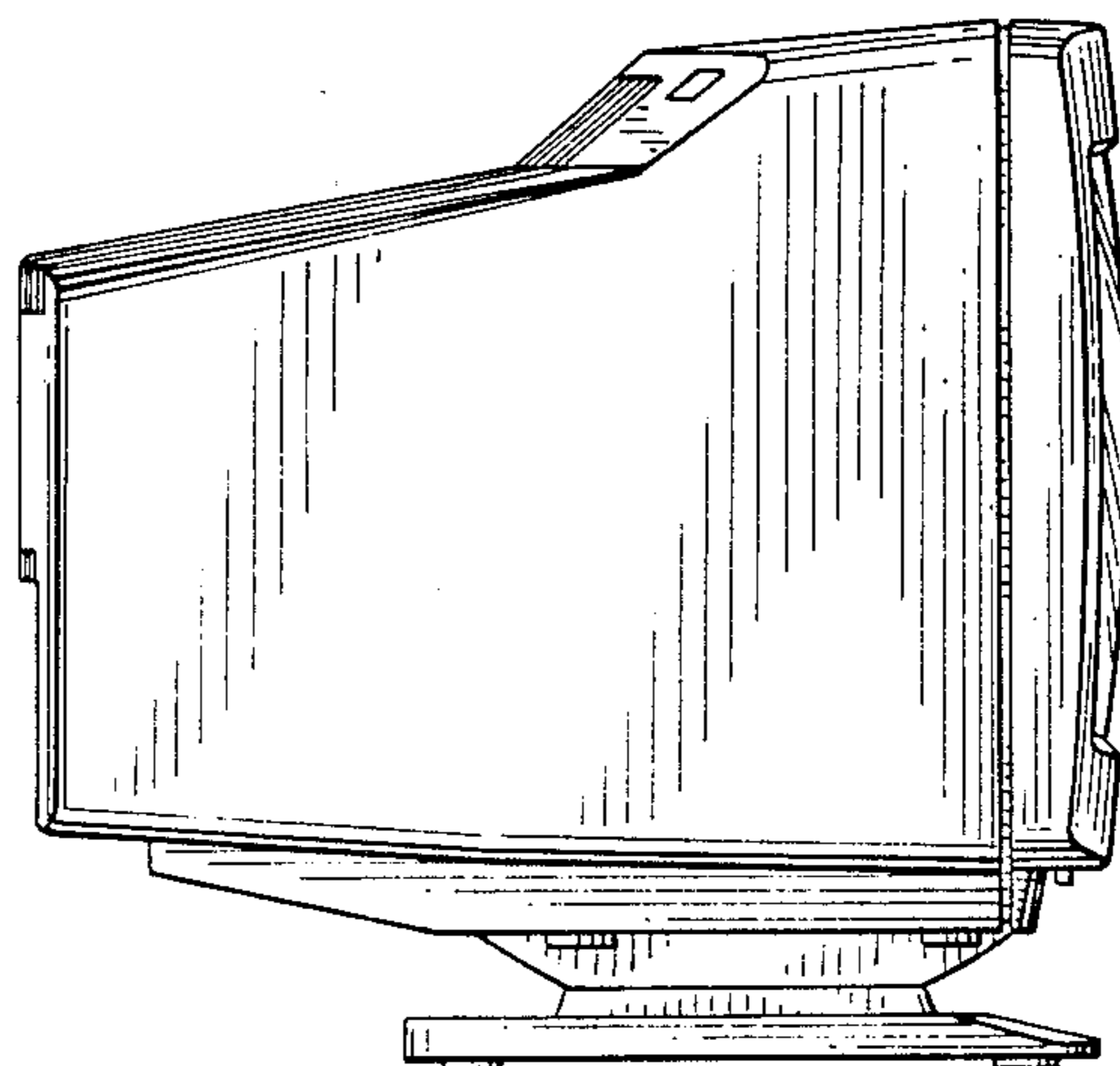


FIG. 2

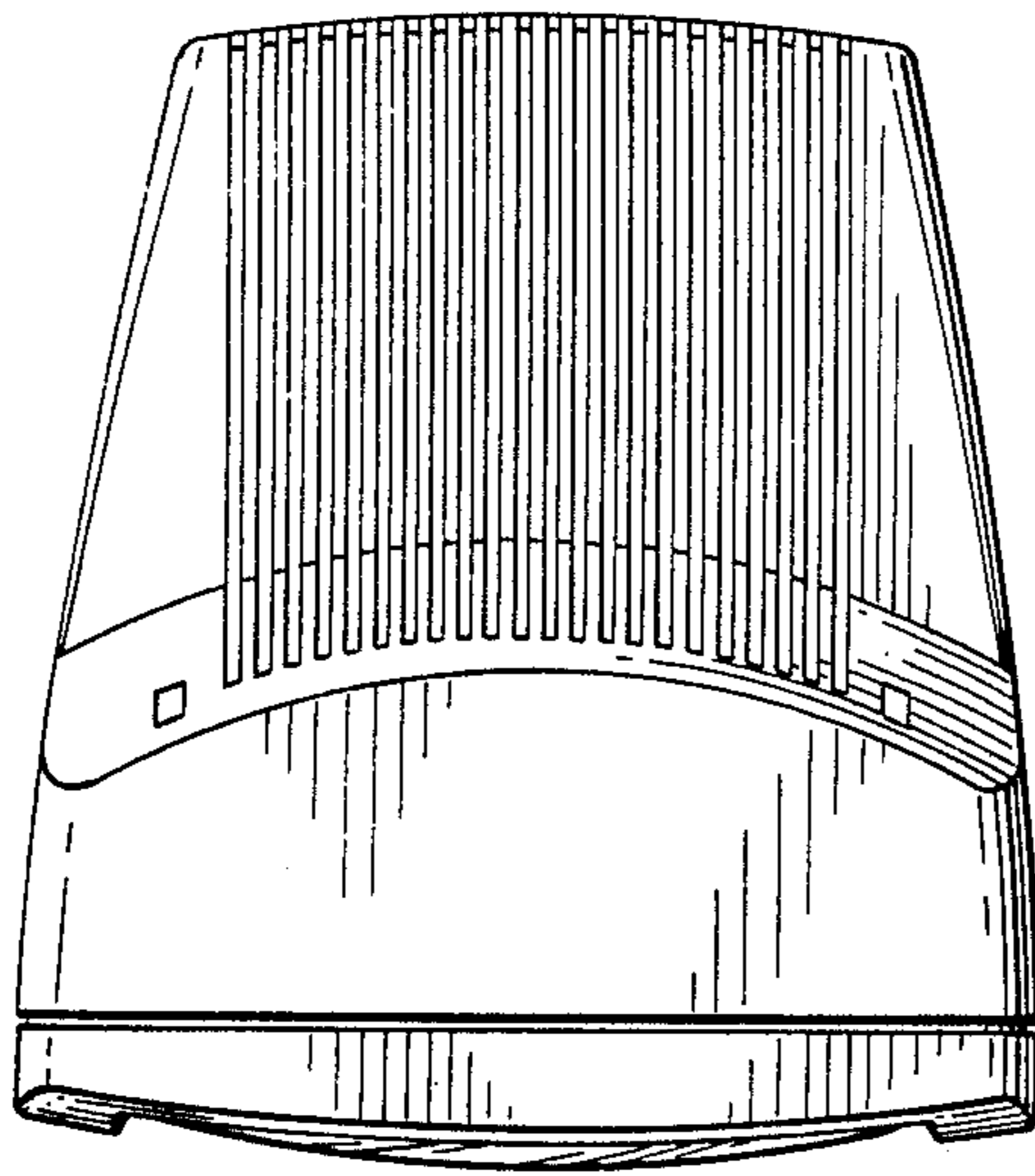


FIG. 6

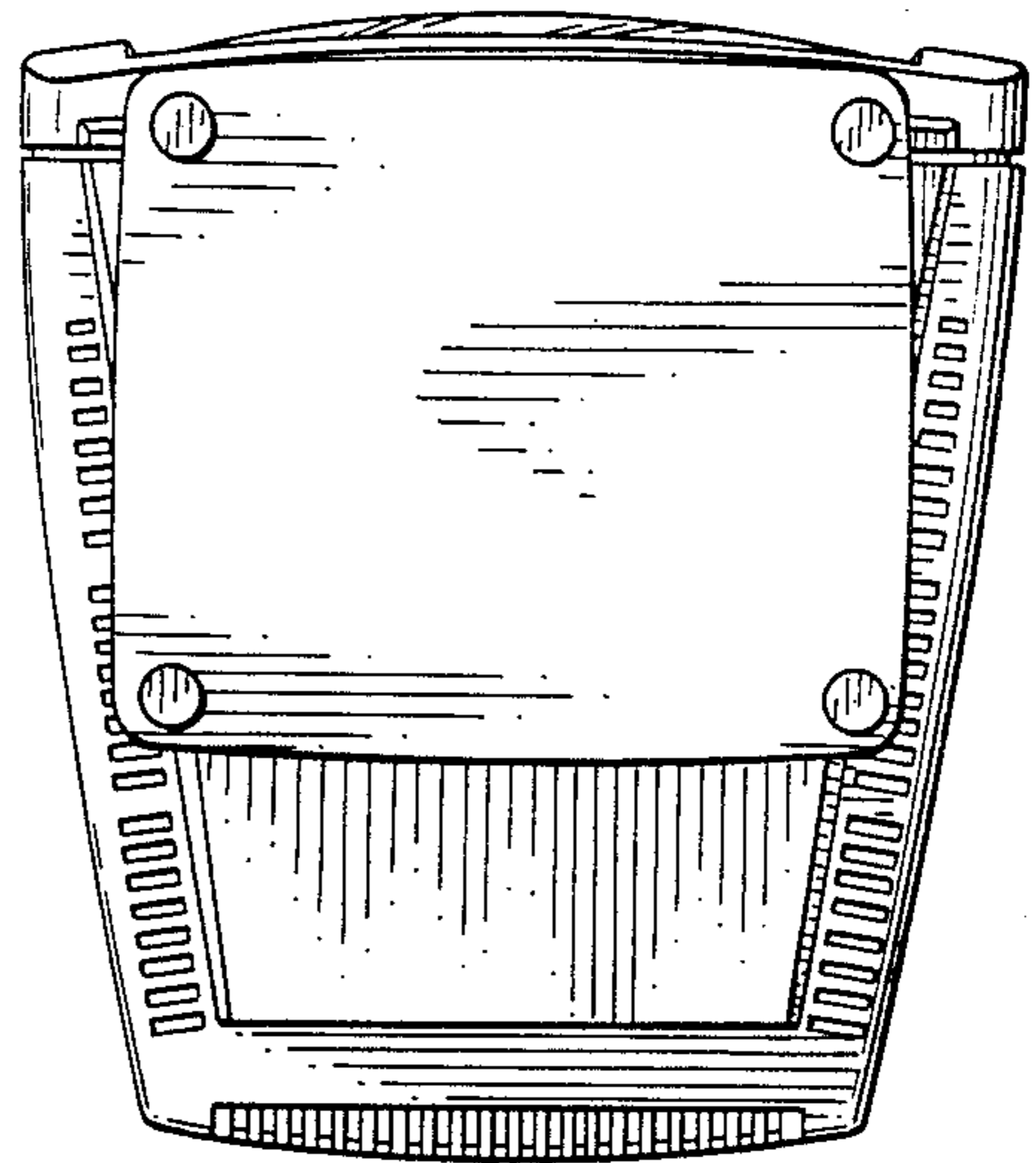
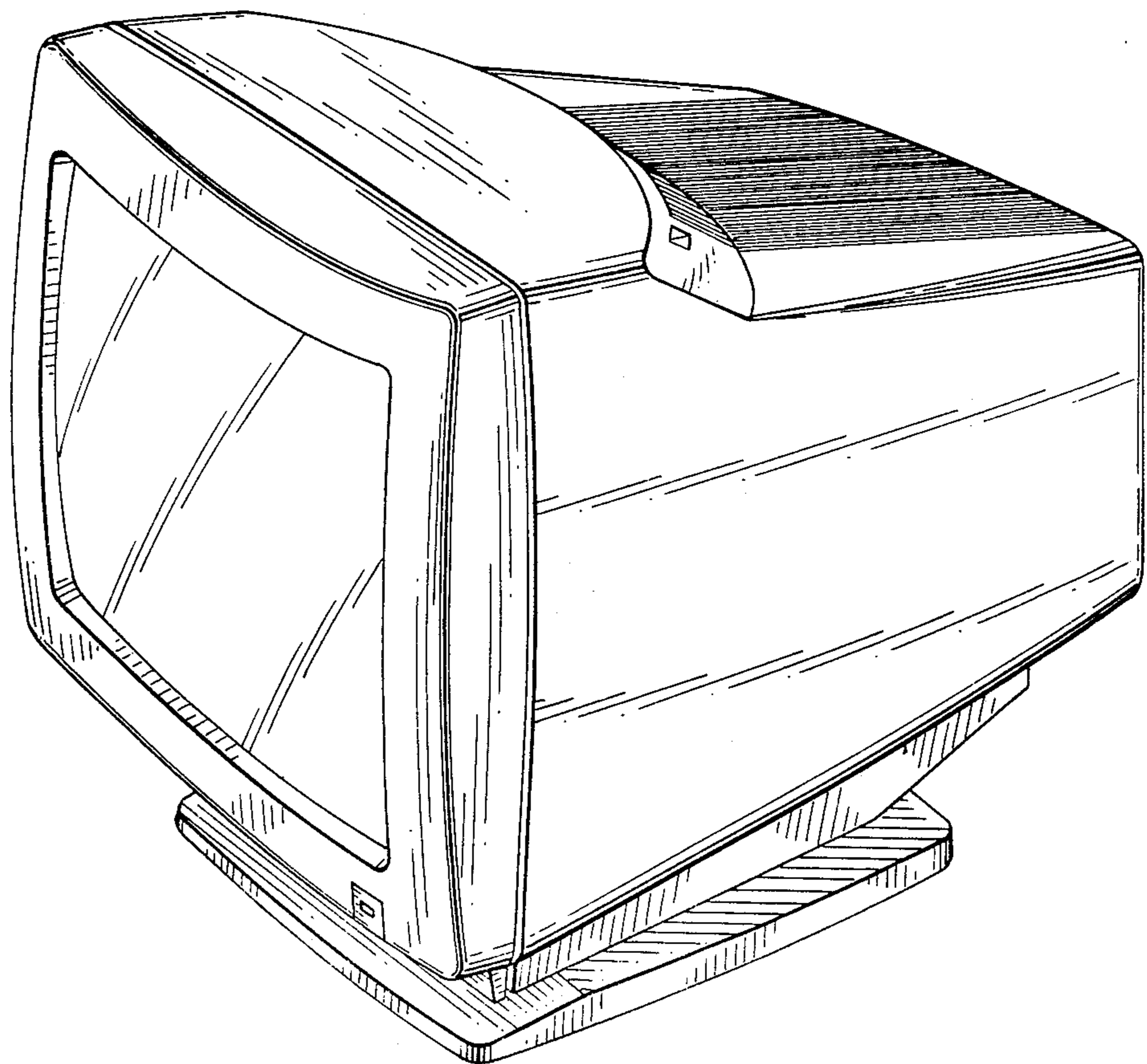


FIG. 7



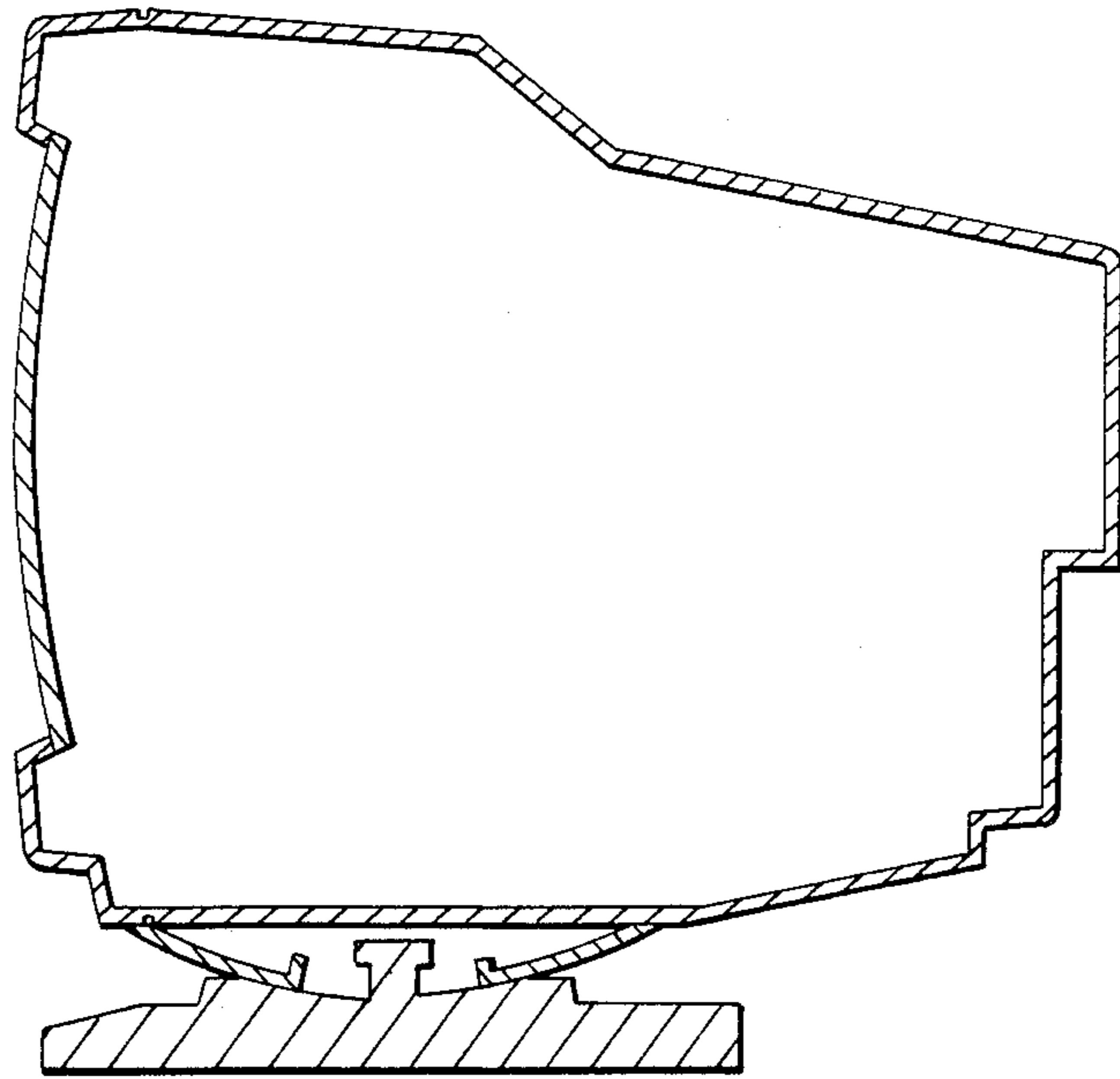


FIG. 8