

[54] CREDIT CARD INPUT/OUTPUT TERMINAL

[75] Inventor: Masami Suda, Tokyo, Japan

[73] Assignee: Oki Electric Industry Co., Ltd., Tokyo, Japan

[\*\*] Term: 14 Years

[21] Appl. No.: 141,311

[22] Filed: Dec. 31, 1987

[52] U.S. Cl. .... D14/105

[58] Field of Search ..... D14/100, 105, 107, 114, D14/115, 116, 106; 235/454, 462, 470, 471, 472, 473, 475, 479, 379, 380-382, 482; 250/203 R, 566, 568, 569, 239; 358/408, 473, 474, 497; 354/80, 81, 82; 355/231, 233; 382/58, 59, 62, 63, 65

[56] References Cited

U.S. PATENT DOCUMENTS

- D. 227,994 7/1973 Keenan ..... D14/105
- D. 232,126 7/1974 Conway et al. .... D14/105
- D. 233,608 11/1974 Conway et al. .... D14/105
- D. 242,469 11/1976 Arnold et al. .... D14/105
- D. 251,872 5/1979 Schultz et al. .... D14/106 X

Primary Examiner—Susan J. Lucas  
Assistant Examiner—Freda S. Nunn  
Attorney, Agent, or Firm—Wenderoth, Lind & Ponack

[57] CLAIM

The ornamental design for a credit card input/output terminal, as shown and described.

DESCRIPTION

FIG. 1 is a top, front, right side perspective view of a credit card input/output terminal showing my new design;

FIG. 2 is a front elevational view thereof;

FIG. 3 is a top plan view thereof;

FIG. 4 is a rear elevational view thereof;

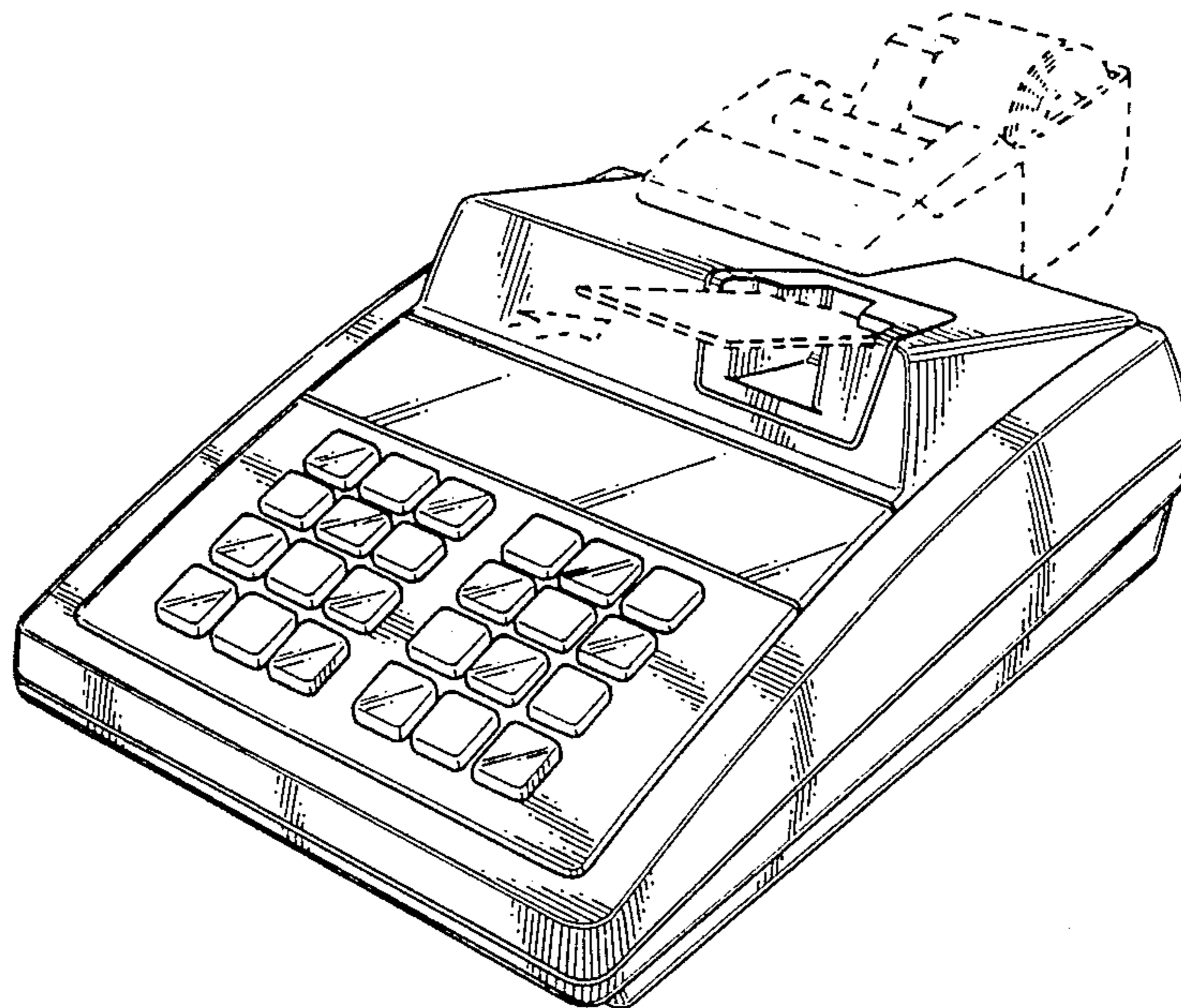
FIG. 5 is a bottom plan view thereof;

FIG. 6 is a right side elevational view thereof;

FIG. 7 is a sectional view taken on line VII—VII in FIG. 2 with the interior construction omitted;

FIG. 8 is a top, front, right side perspective view thereof depicting a work state, a credit card and a printer being shown in broken lines for illustrative purposes only and thus forming no part of the claimed design.

The oblique line shading which appears on the keys in FIGS. 1, 2, 3, 6, and 8 is used to represent a transparent plastic coating over an opaque surface.



*Fig. 1*



Fig. 2

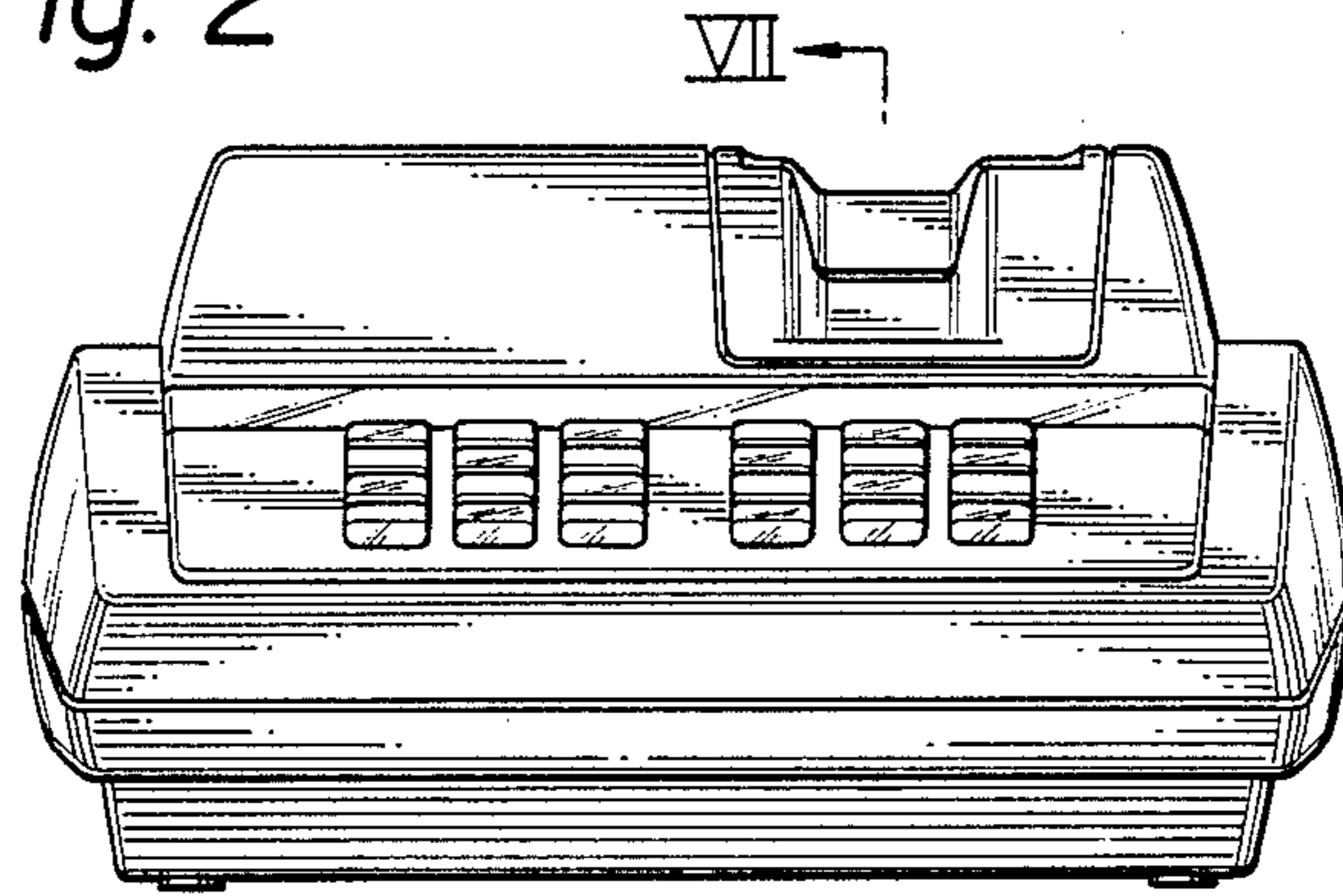
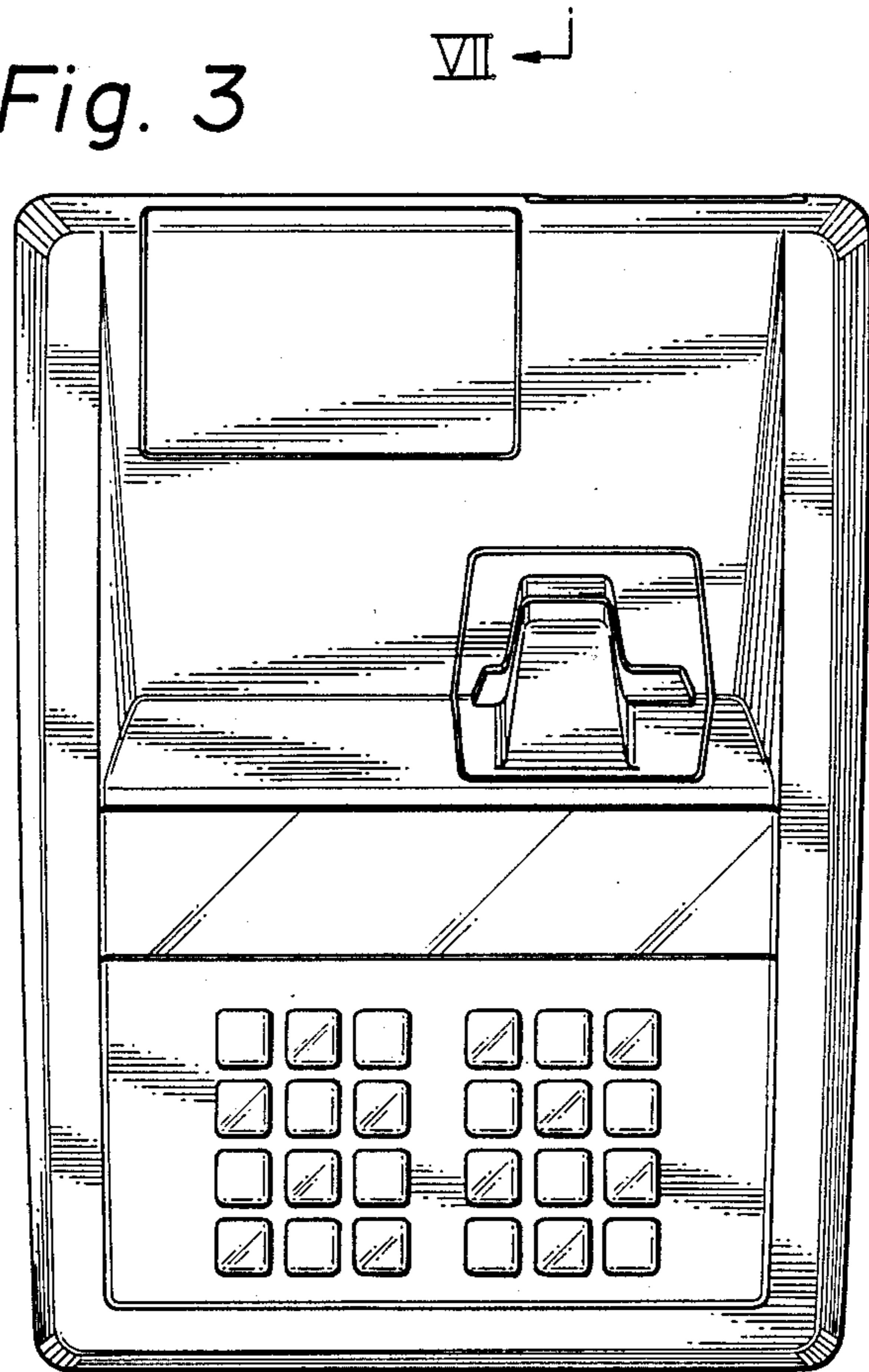
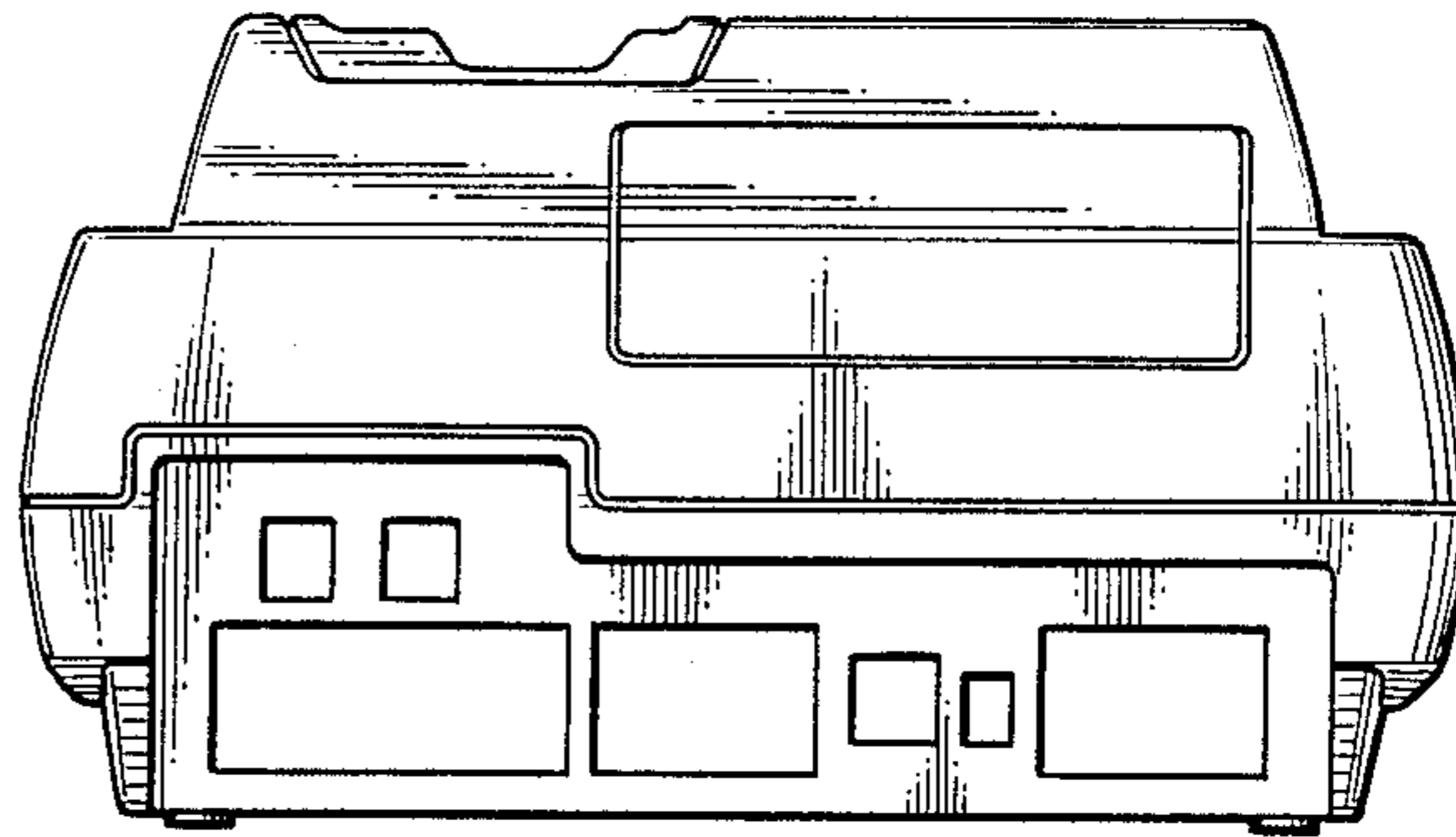


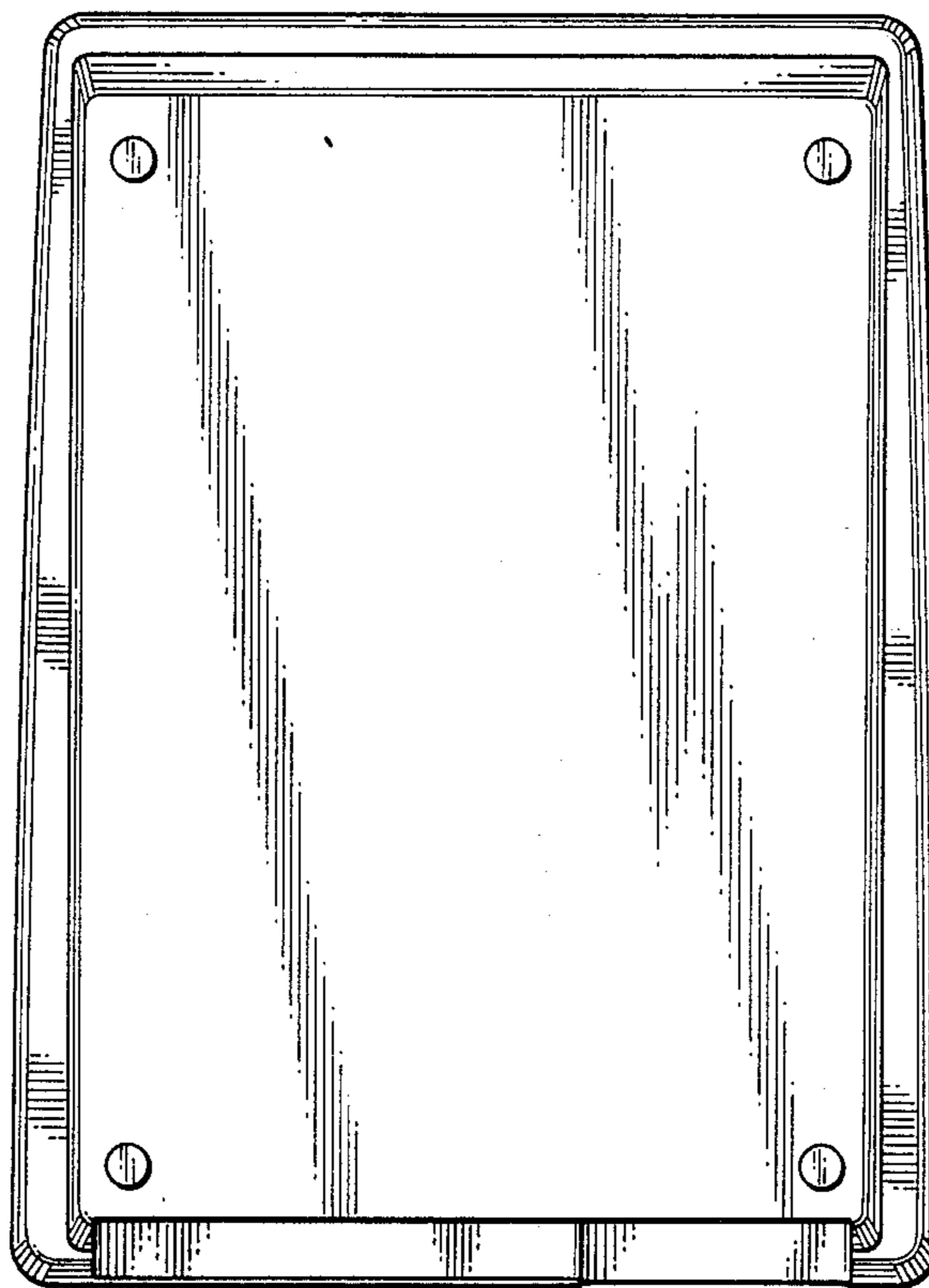
Fig. 3



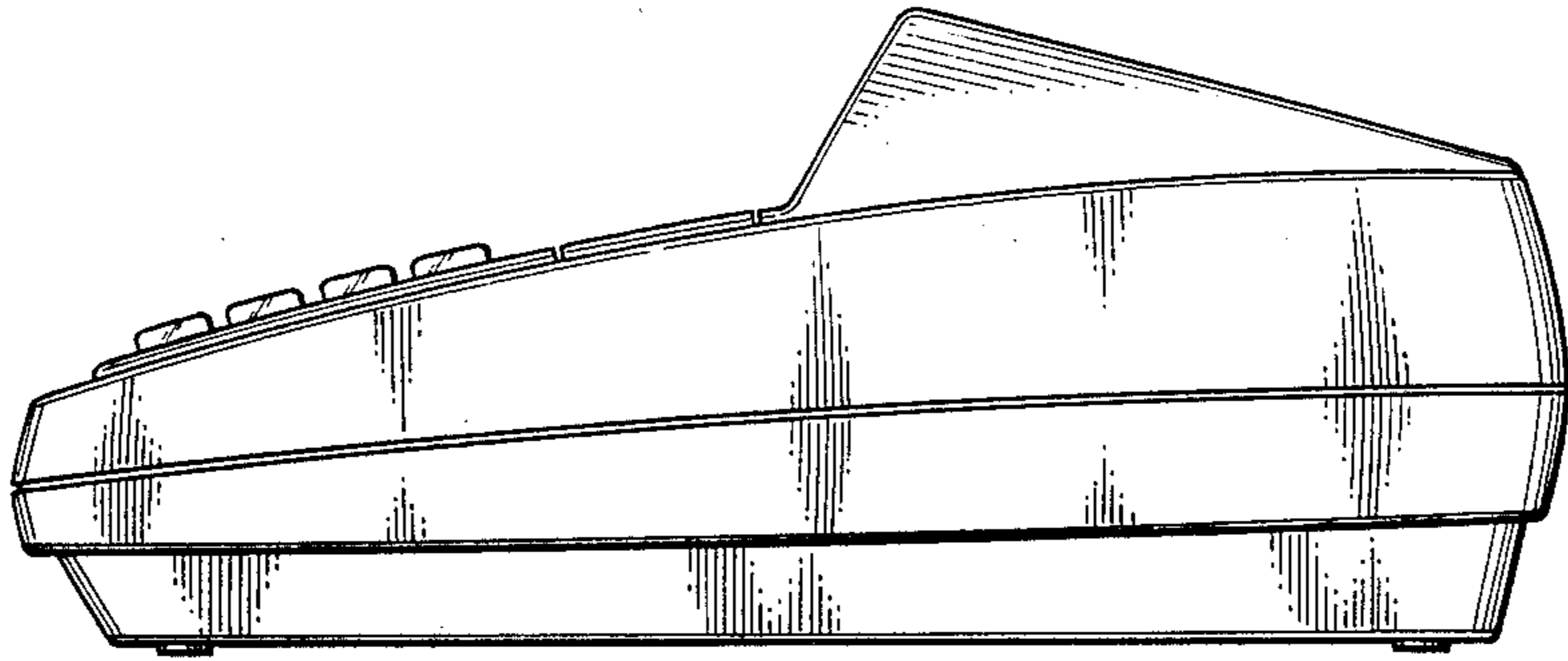
*Fig. 4*



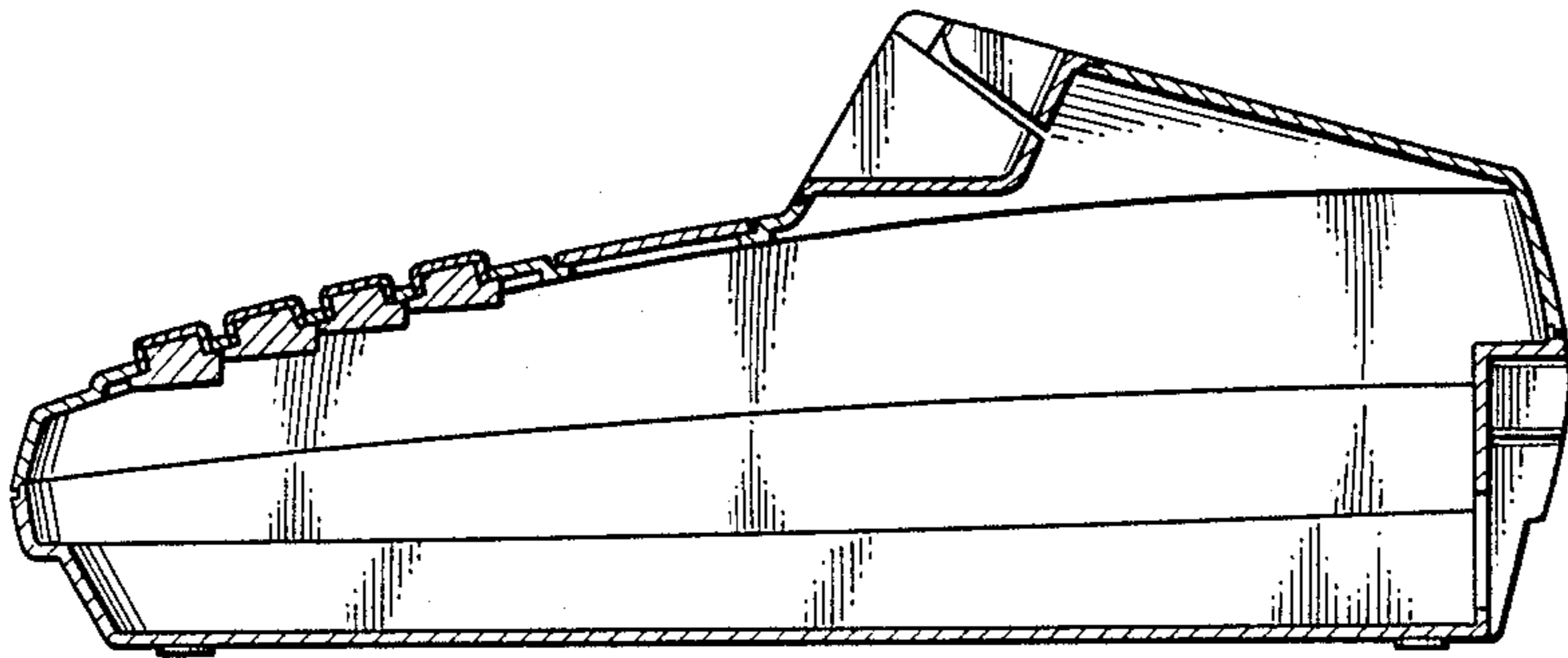
*Fig. 5*



*Fig. 6*



*Fig. 7*



*Fig. 8*

