

[54] **ELECTRICAL TRUNKING, UTILITY BOX**

[75] **Inventor: David E. Layton**, North Wales,
United Kingdom

[73] **Assignee: EGA Limited**, North Wales, United
Kingdom

[**] **Term: 14 Years**

[21] **Appl. No.: 226,988**

[22] **Filed: Aug. 1, 1988**

[30] **Foreign Application Priority Data**

May 9, 1988 [GB] United Kingdom 1050605
[52] **U.S. Cl.** **D13/152; D13/156**
[58] **Field of Search** **D13/13, 35, 40, 133,**
D13/152, 156, 184; 174/66, 72 C, 50, 52.1;
220/4 R, 4 B, 4 E, 223.2

[56] **References Cited**

U.S. PATENT DOCUMENTS

1,882,580 10/1932 Harris 220/4 R
3,056,942 10/1962 Carbaugh et al. 174/52.1

FOREIGN PATENT DOCUMENTS

0068521 7/1951 Netherlands 220/4
0562388 6/1944 United Kingdom 220/4

Primary Examiner—Susan J. Lucas
Assistant Examiner—Joel Sincavage

[57] **CLAIM**

The ornamental design for a electrical trunking, utility box, as shown and described.

DESCRIPTION

FIG. 1 is a perspective view from above, front and one side of the electrical trunking, utility box showing my new design;
FIG. 2 is an elevational view of the opposite side thereof;
FIG. 3 is a front elevational view thereof;
FIG. 4 is a rear elevational view thereof; and
FIG. 5 is a top plan view thereof.

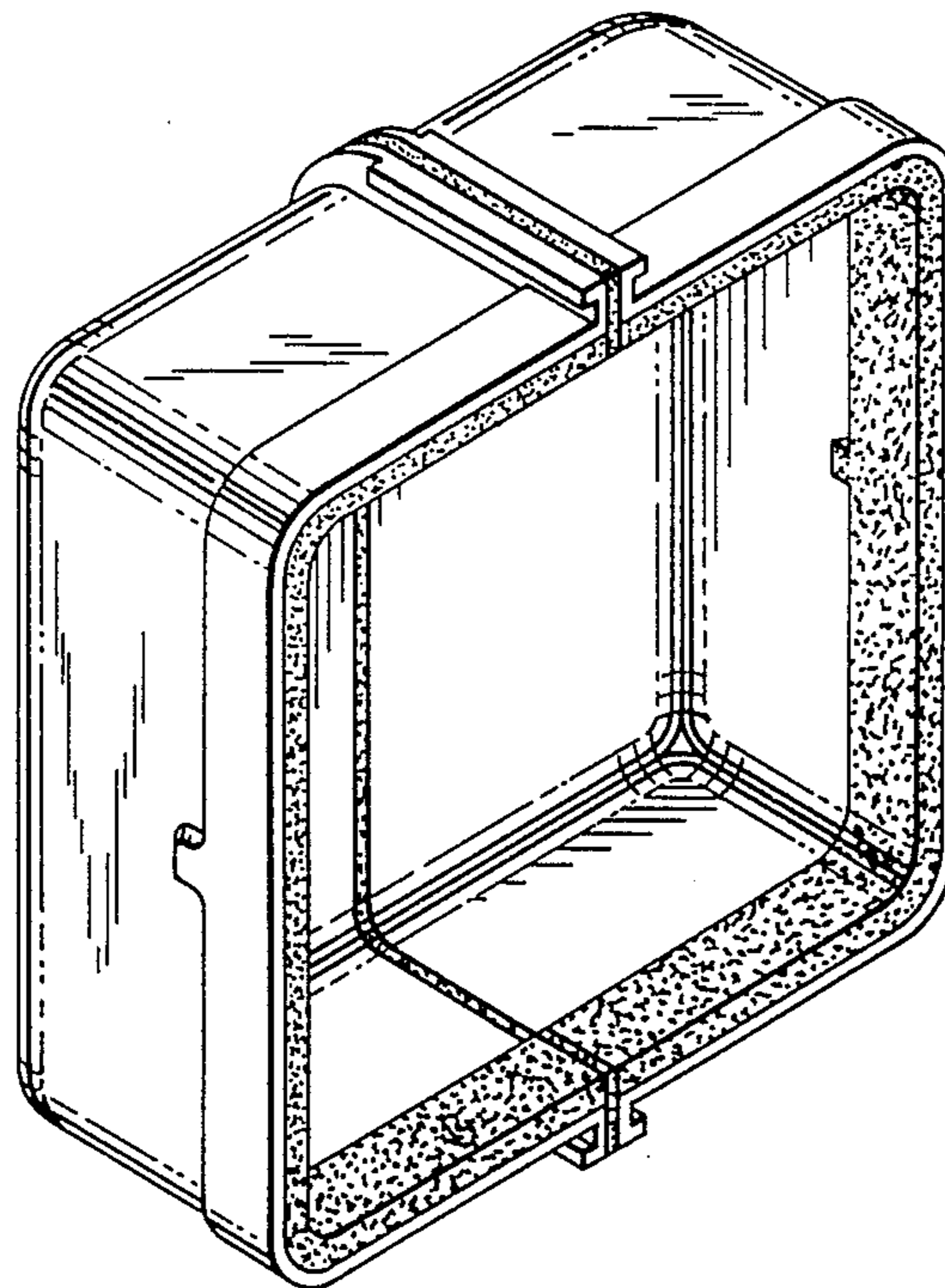


FIG. 1.

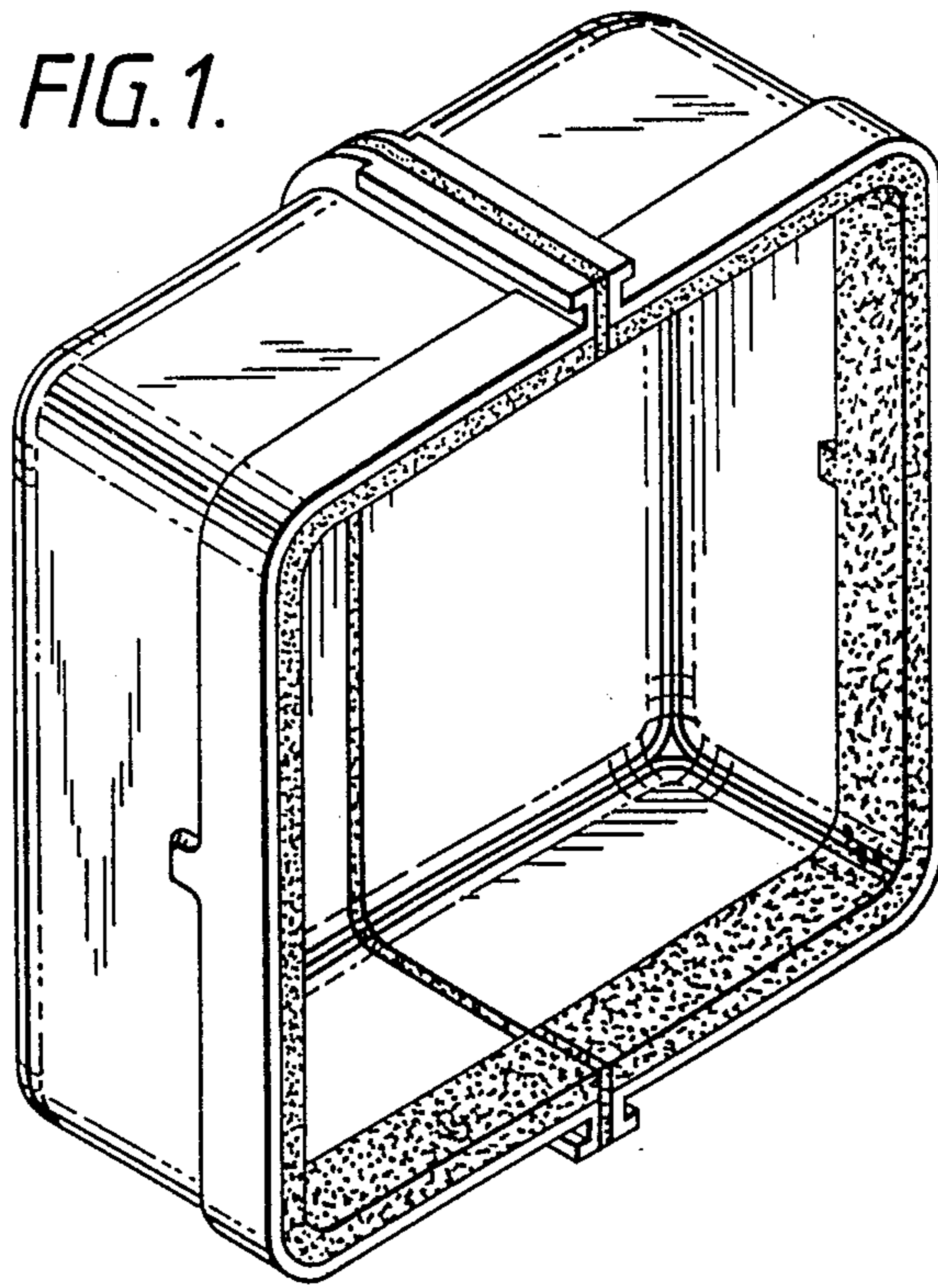


FIG. 2.

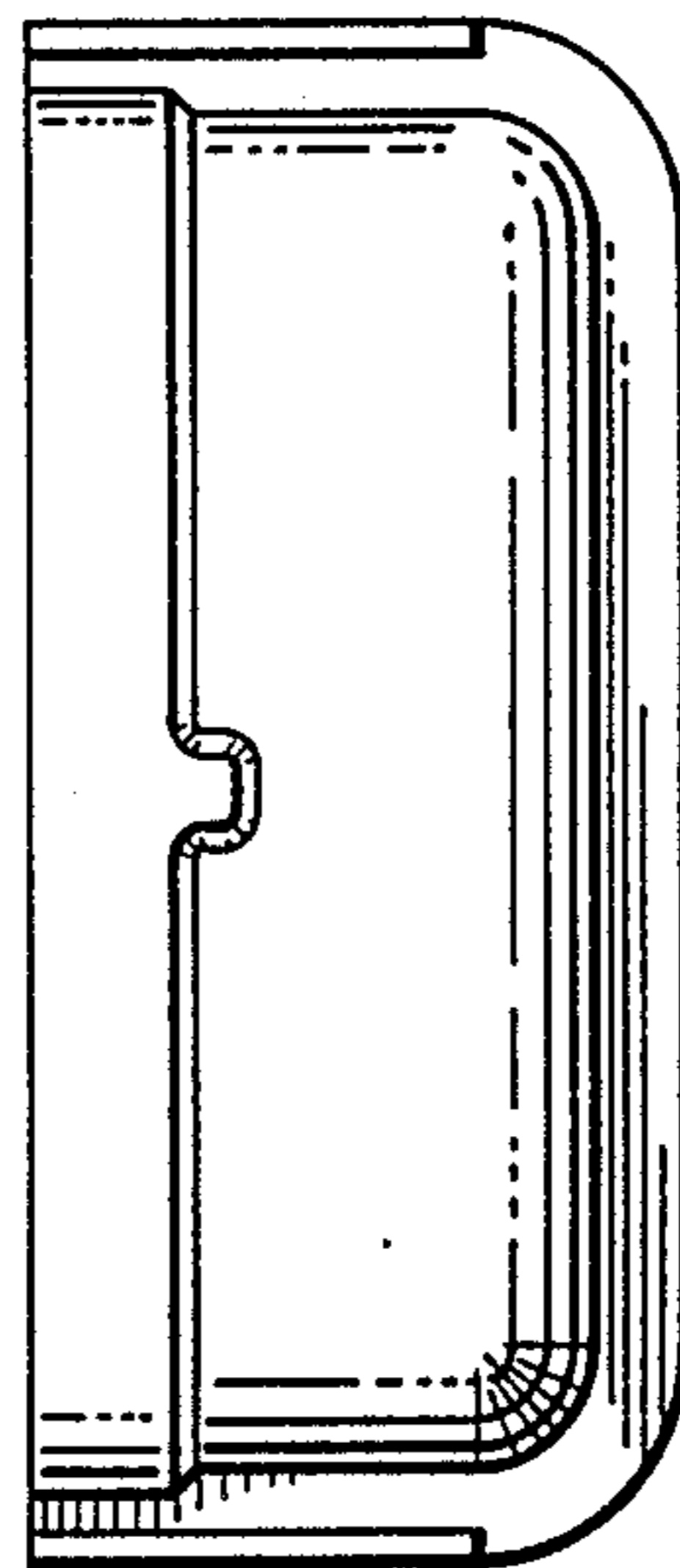


FIG. 3.

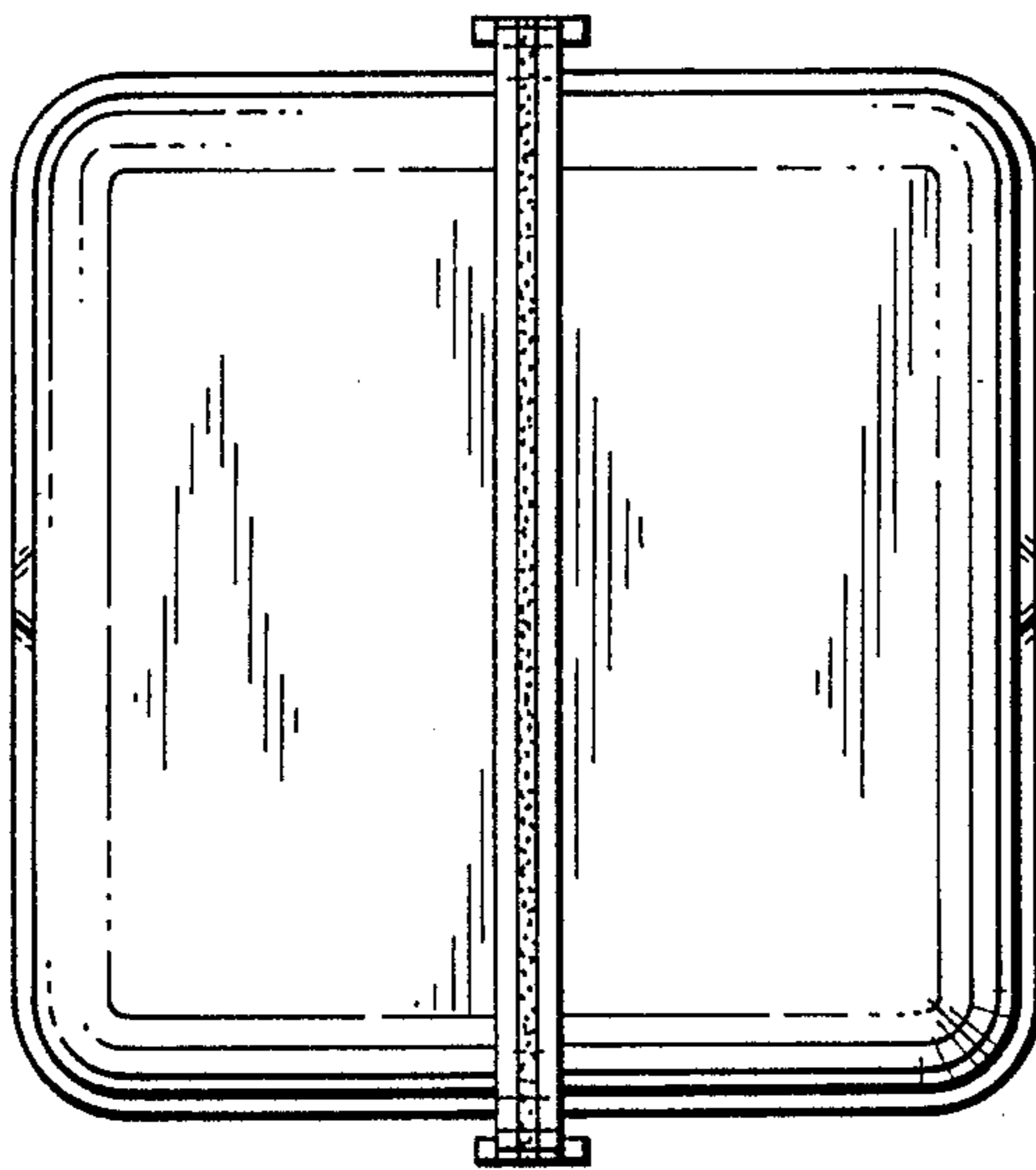


FIG. 4.

FIG. 5.

