

[54] PROGRAMMABLE ELECTRONIC CIRCUIT BREAKER

4,622,444 11/1986 Kamdatsu et al. 335/132 X
4,786,885 11/1988 Morris et al. 335/202

[75] Inventor: Robert J. Danek, Andover, Conn.

Primary Examiner—Susan J. Lucas
Assistant Examiner—Joel Sincavage
Attorney, Agent, or Firm—Richard A. Menelly; Walter C. Bernkopf; Fred Jacob

[73] Assignee: General Electric Company, New York, N.Y.

[**] Term: 14 Years

[57] CLAIM

[21] Appl. No.: 211,189

The ornamental design for a programable electronic circuit breaker, as shown and described.

[22] Filed: Jun. 24, 1988

[52] U.S. Cl. D13//160

[58] Field of Search D13/34, 32, 33; 337/6; 361/102, 42, 56, 91, 93, 111, 117, 118, 103, 105, 394, 399; 355/17, 128, 132, 202, 203; 200/307, 308, 331, 332.1, DIG. 27, DIG. 28

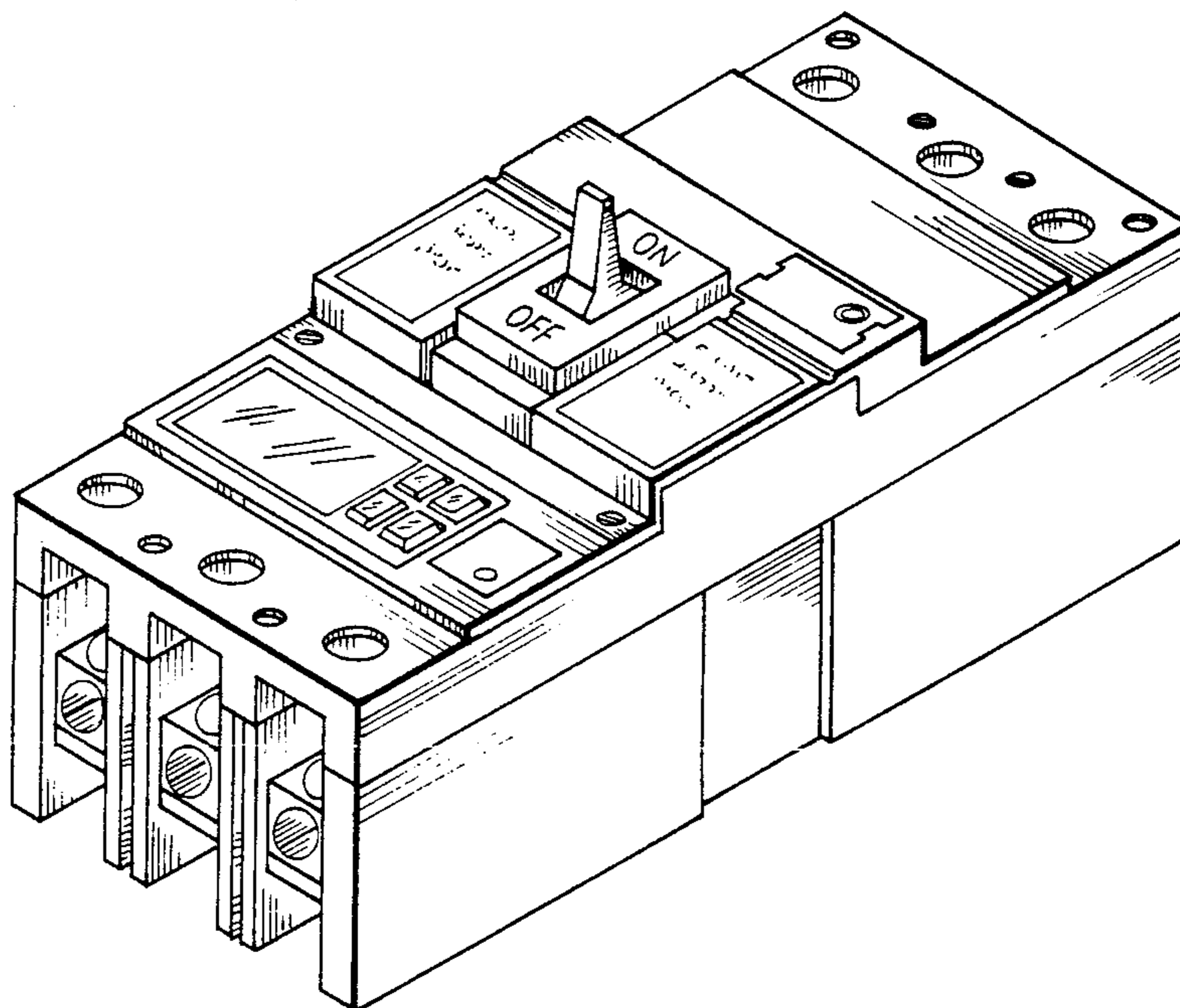
DESCRIPTION

FIG. 1 is a top perspective view of a programmable electric circuit breaker showing my new design; FIG. 2 is a side elevational view thereof, the opposite side elevational view being a mirror image; FIG. 3 is a left end elevational view thereof, the right end elevational view being a mirror image except for the exposed portion of the key pad; and FIG. 4 is a top plan view thereof.

[56] References Cited

U.S. PATENT DOCUMENTS

4,266,209 5/1981 DiMarco et al. 335/17 X



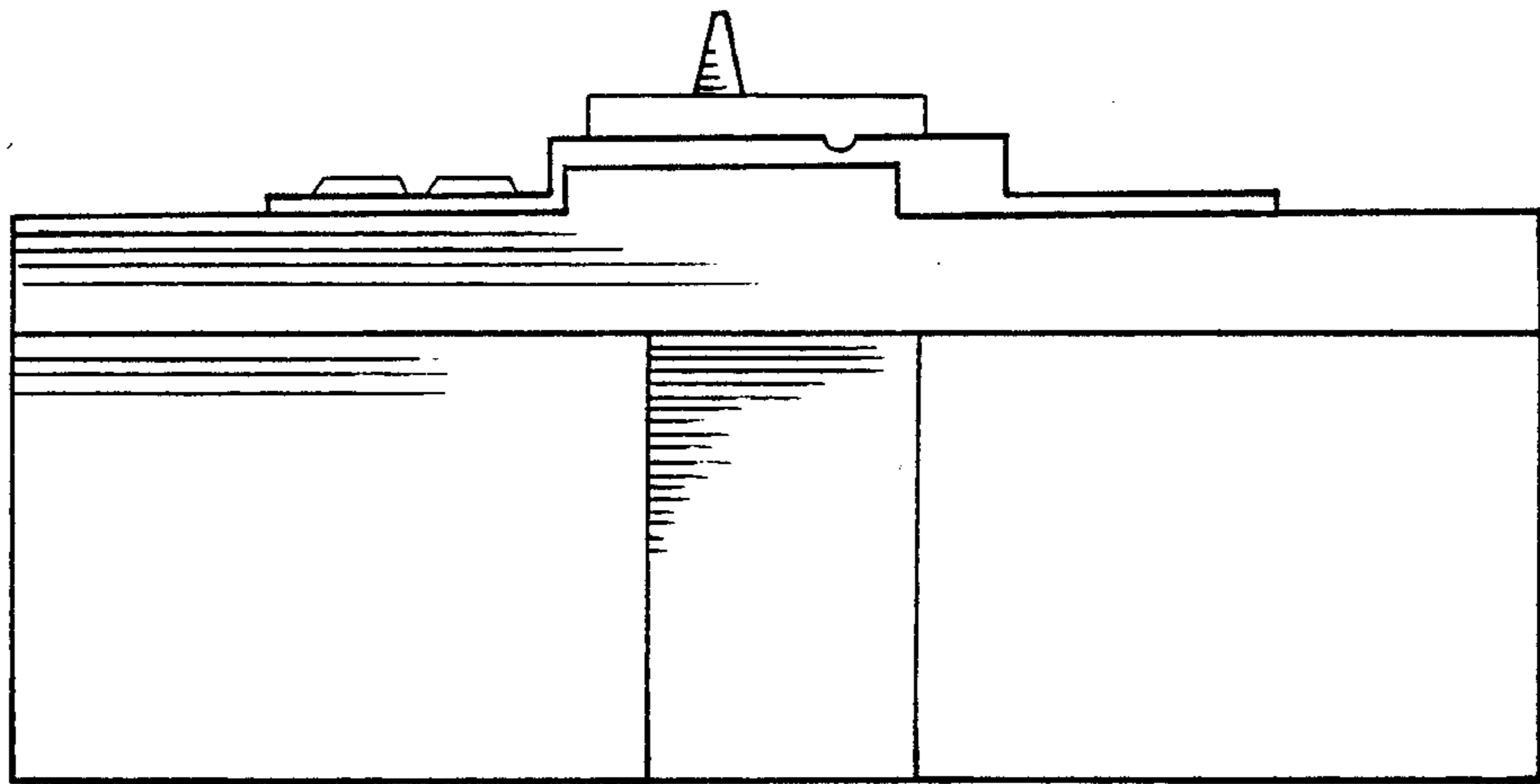


FIG. 2

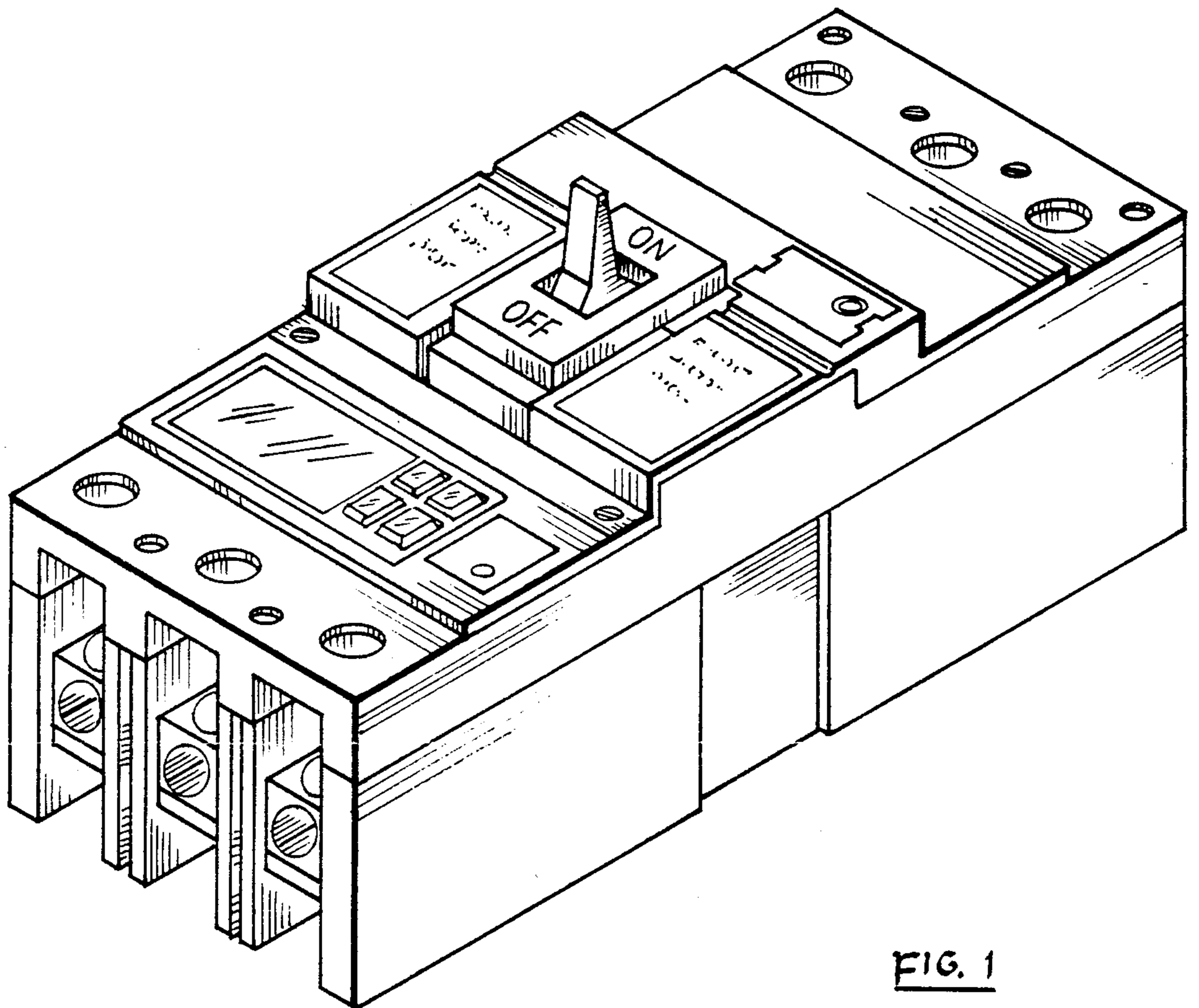


FIG. 1

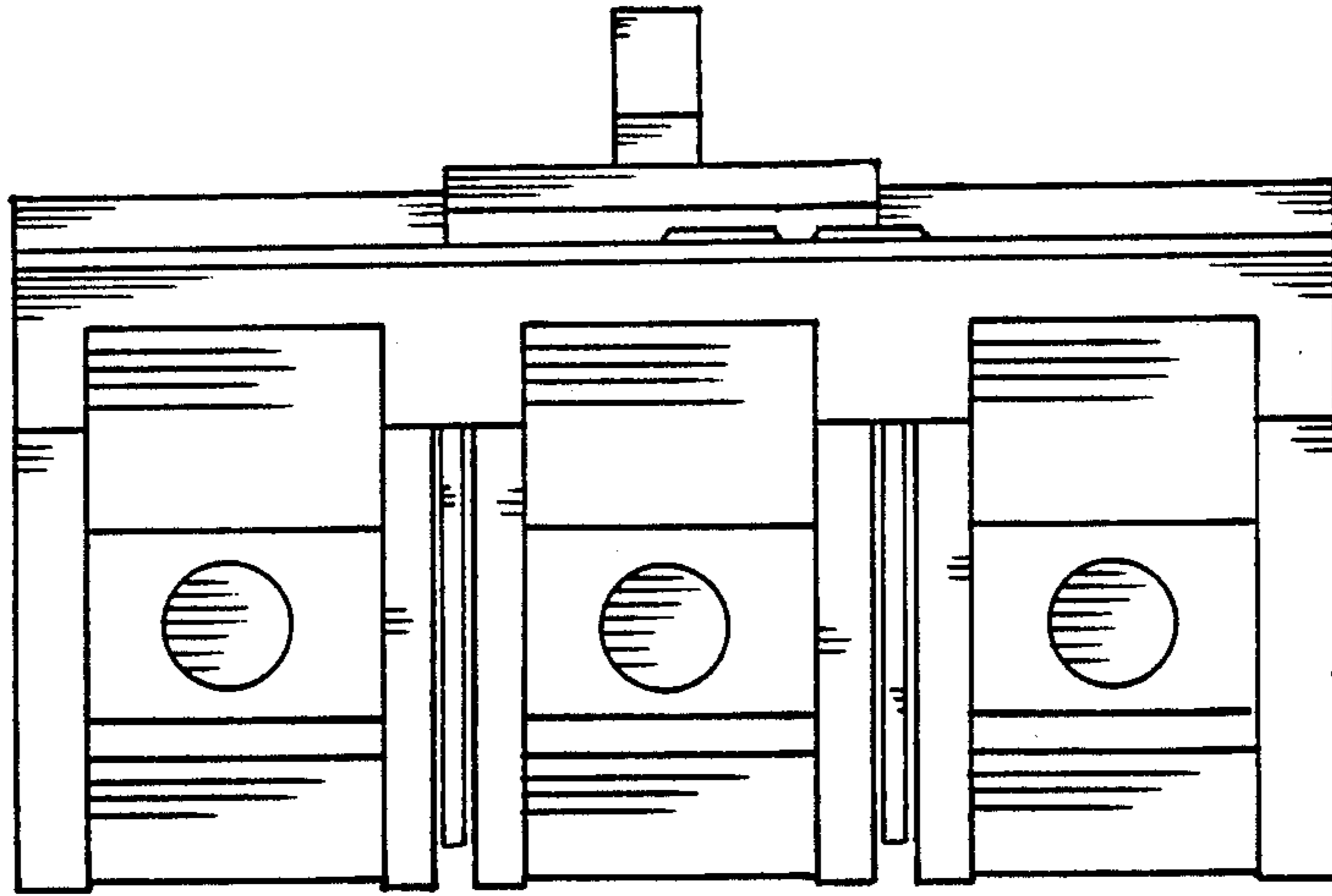


FIG. 3

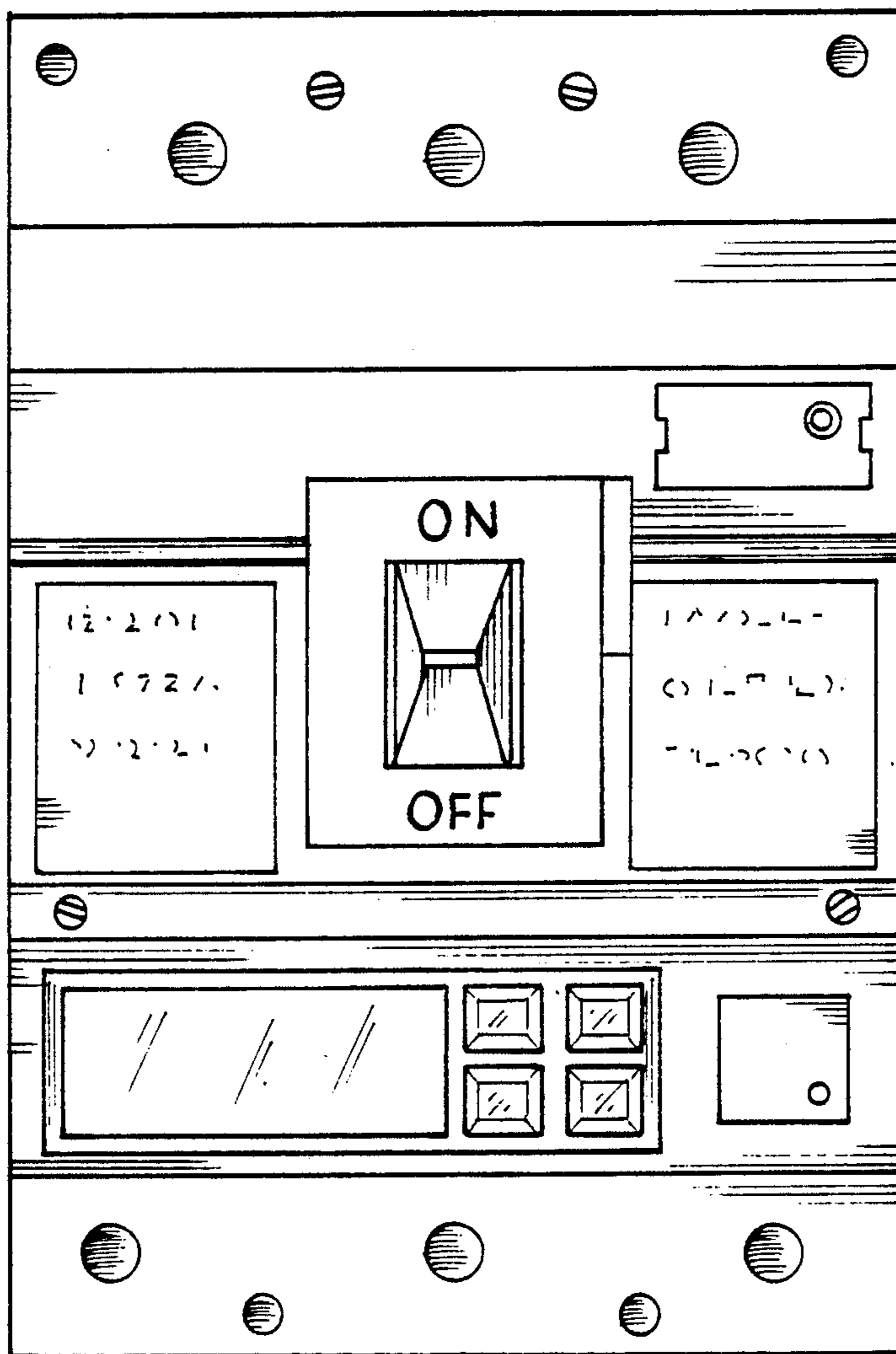


FIG. 4