

[54] **COMBINED DIMMER, FAN SPEED CONTROL SWITCHES AND COVER PLATE**

[75] **Inventors: Douglas Watson, Sanford, Conn.; Lester Rivera, Glendale, N.Y.; Joseph G. Justiniano, Bethpage, N.Y.; Saul Rosenbaum, East Meadow, N.Y.; Lawrence Mellyn, Pemaquid Harbor, Me.; Thomas A. Blumberg, New York, N.Y.**

[73] **Assignee: Leviton Manufacturing Co., Inc., Little Neck, N.Y.**

[**] **Term: 14 Years**

[21] **Appl. No.: 230,925**

[22] **Filed: Aug. 11, 1988**

[52] **U.S. Cl. D13/125; D8/353; D13/169; D13/171**

[58] **Field of Search D8/353; D13/32, 37, D13/38; 174/66; 200/5 A, 310, 341; 439/135; 220/241; 323/905**

[56] **References Cited**

U.S. PATENT DOCUMENTS

D. 221,083 7/1971 Kahn D13/37
D. 297,508 9/1988 Yandek et al. D8/353
3,371,181 2/1968 Van Mastrigt 200/330

FOREIGN PATENT DOCUMENTS

1585760 3/1981 United Kingdom 174/66
2098011 11/1982 United Kingdom 439/135

Primary Examiner—B. J. Bullock
Attorney, Agent, or Firm—Paul J. Sutton

[57] **CLAIM**

The ornamental design for a combined dimmer, fan speed control switches and cover plate, as shown and described.

DESCRIPTION

FIG. 1 is a perspective view of combined dimmer, fan speed control switches and cover plate showing our new design, the broken line showing of the switch housing being for illustrative purposes only;
FIG. 2 is a front elevational view thereof;
FIG. 3 is a left side elevational view thereof, the right side being a mirror image;
FIG. 4 is a top plan view thereof;
FIG. 5 is a bottom plan view thereof;
FIG. 6 is a rear elevational view thereof.

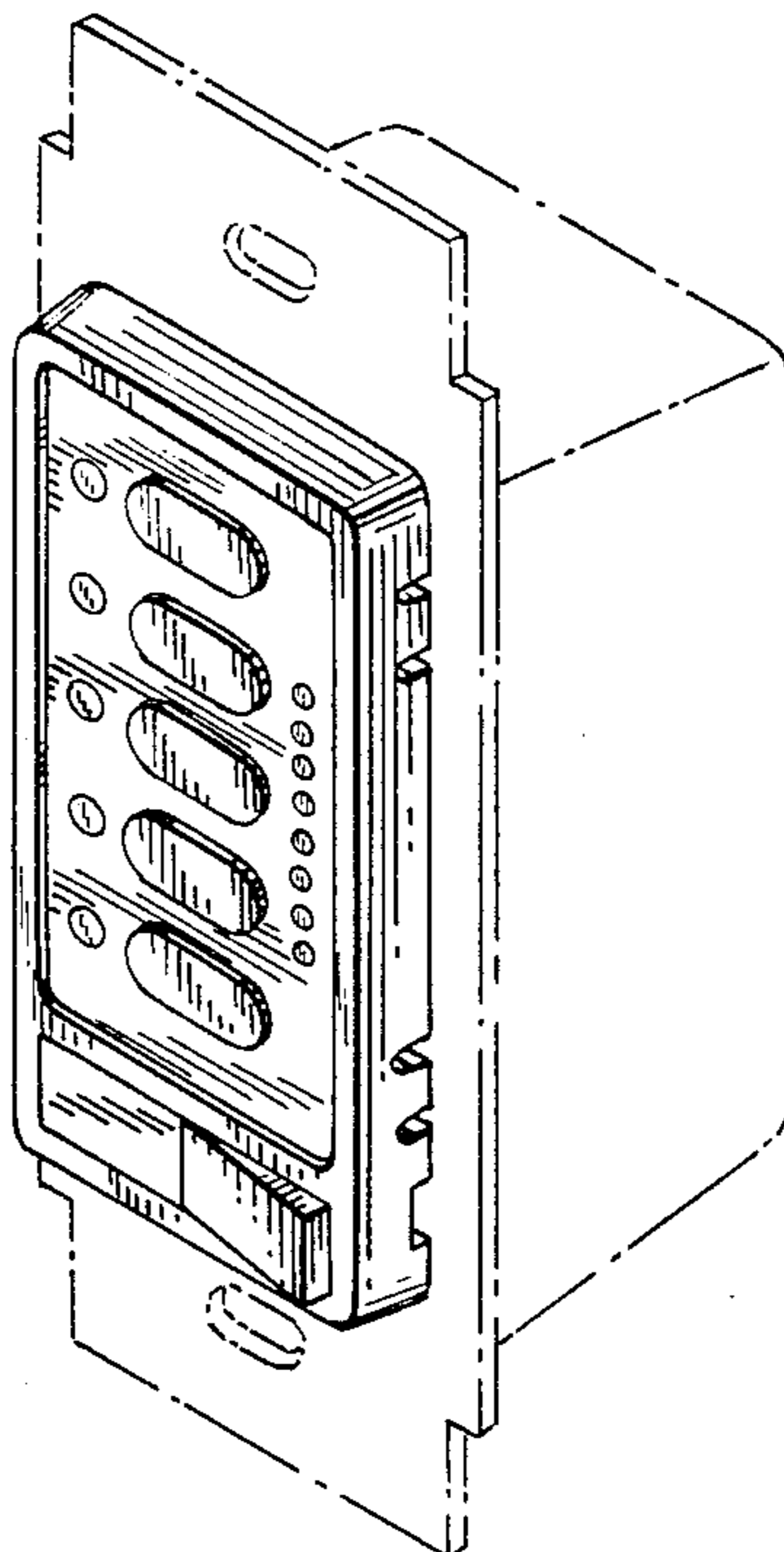


FIG. 1

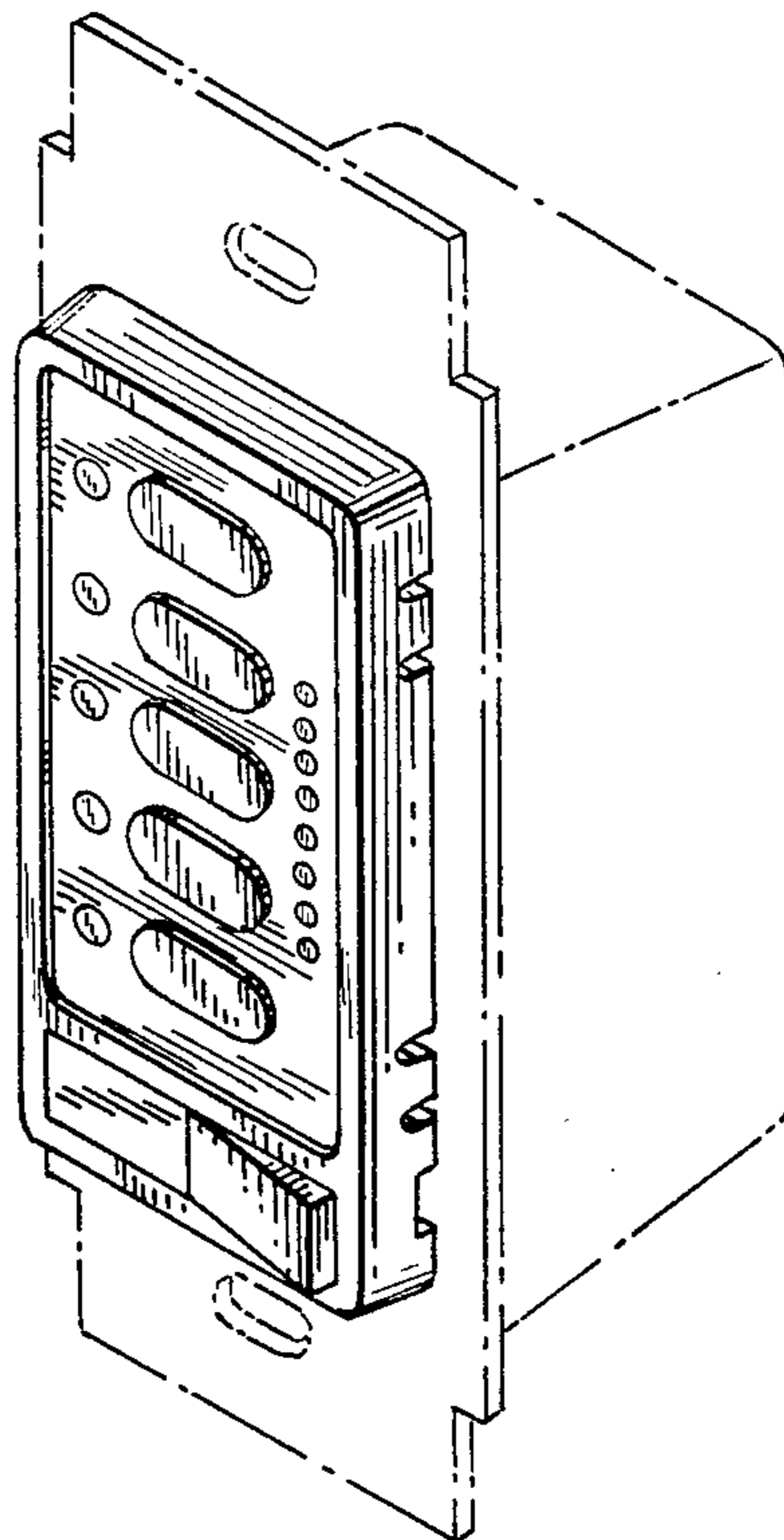


FIG. 2

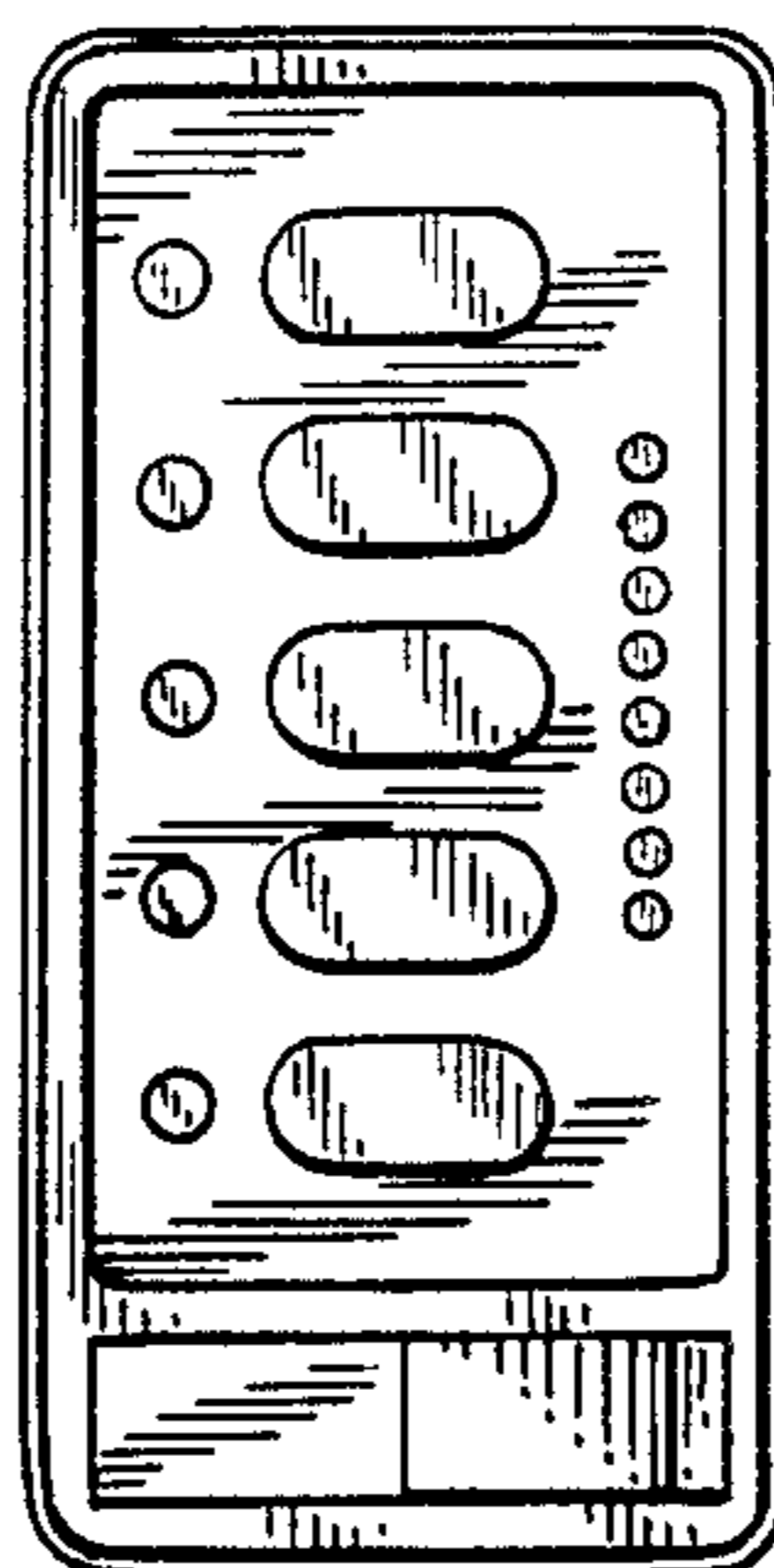


FIG. 4

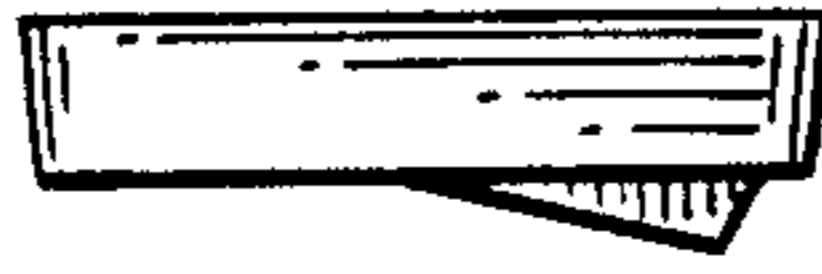


FIG. 3

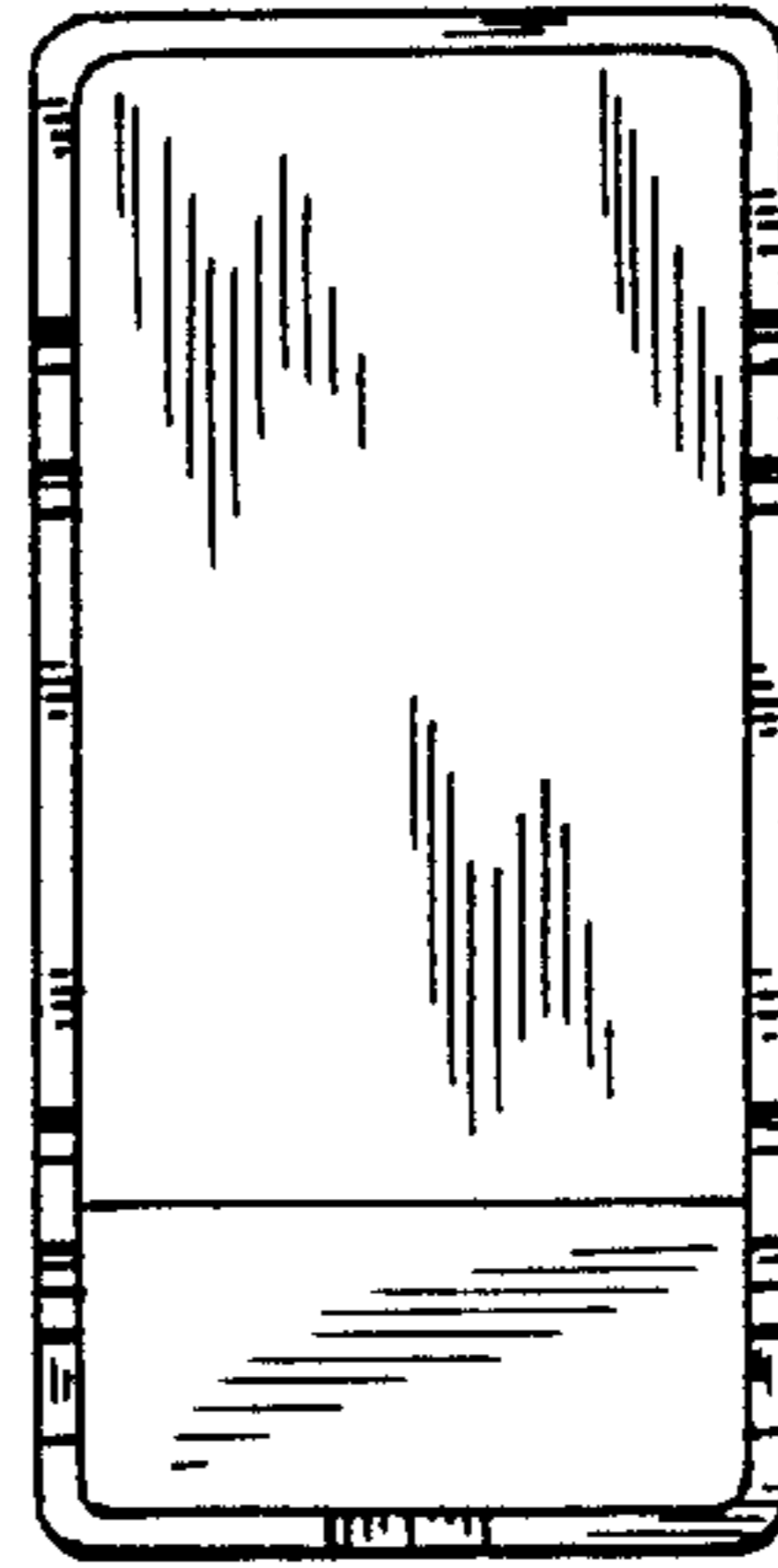


FIG. 5



FIG. 6