

[54] ELECTRIC MOTOR WITH HINGED MOUNTING BRACKET

[75] Inventors: Tatsuya Sawato; Takashi Nakamura; Hiroshi Kumatani, all of Nagoya, Japan

[73] Assignee: Mitsubishi Denki Kabushiki Kaisha, Tokyo, Japan

[**] Term: 14 Years

[21] Appl. No.: 57,977

[22] Filed: Jun. 4, 1987

[30] Foreign Application Priority Data

Jan. 26, 1987 [JP] Japan 62-2610
[52] U.S. Cl. D13/112; D13/122
[58] Field of Search D13/1, 2, 3, 112, 122; D15/72; 310/47, 50, 89; 112/220, 217.3

[56] References Cited

U.S. PATENT DOCUMENTS

D. 205,662 9/1966 Bluemink D13/1
D. 223,495 4/1972 Martin D13/1

4,570,555 2/1986 Reinke et al. 112/220

FOREIGN PATENT DOCUMENTS

1924420 11/1969 Fed. Rep. of Germany 112/220
57-1205 11/1981 Japan .
1052898 3/1986 Japan 112/220

Primary Examiner—Susan J. Lucas
Assistant Examiner—Joel Sincavage
Attorney, Agent, or Firm—Wenderoth, Lind & Ponack

[57] CLAIM

The ornamental design for an electric motor with hinged mounting bracket, as shown.

DESCRIPTION

FIG. 1 is a front elevational view of an electric motor with hinged mounting bracket, showing our new design;
FIG. 2 is a rear elevational view thereof;
FIG. 3 is a left side elevational view thereof;
FIG. 4 is a right side elevational view thereof;
FIG. 5 is a top plan view thereof;
FIG. 6 is a bottom plan view thereof; and
FIG. 7 is a front perspective view thereof.

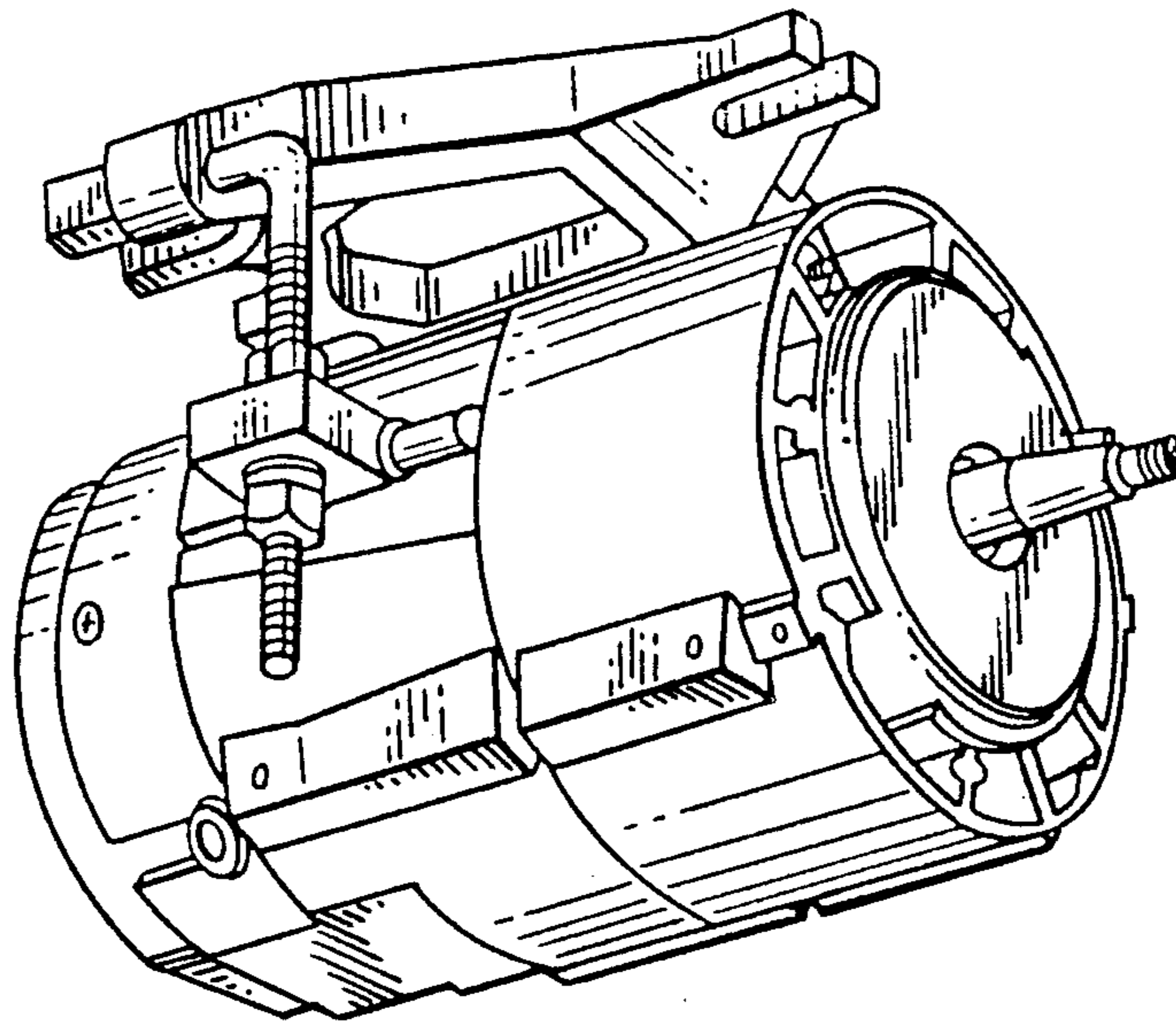


FIG. 1

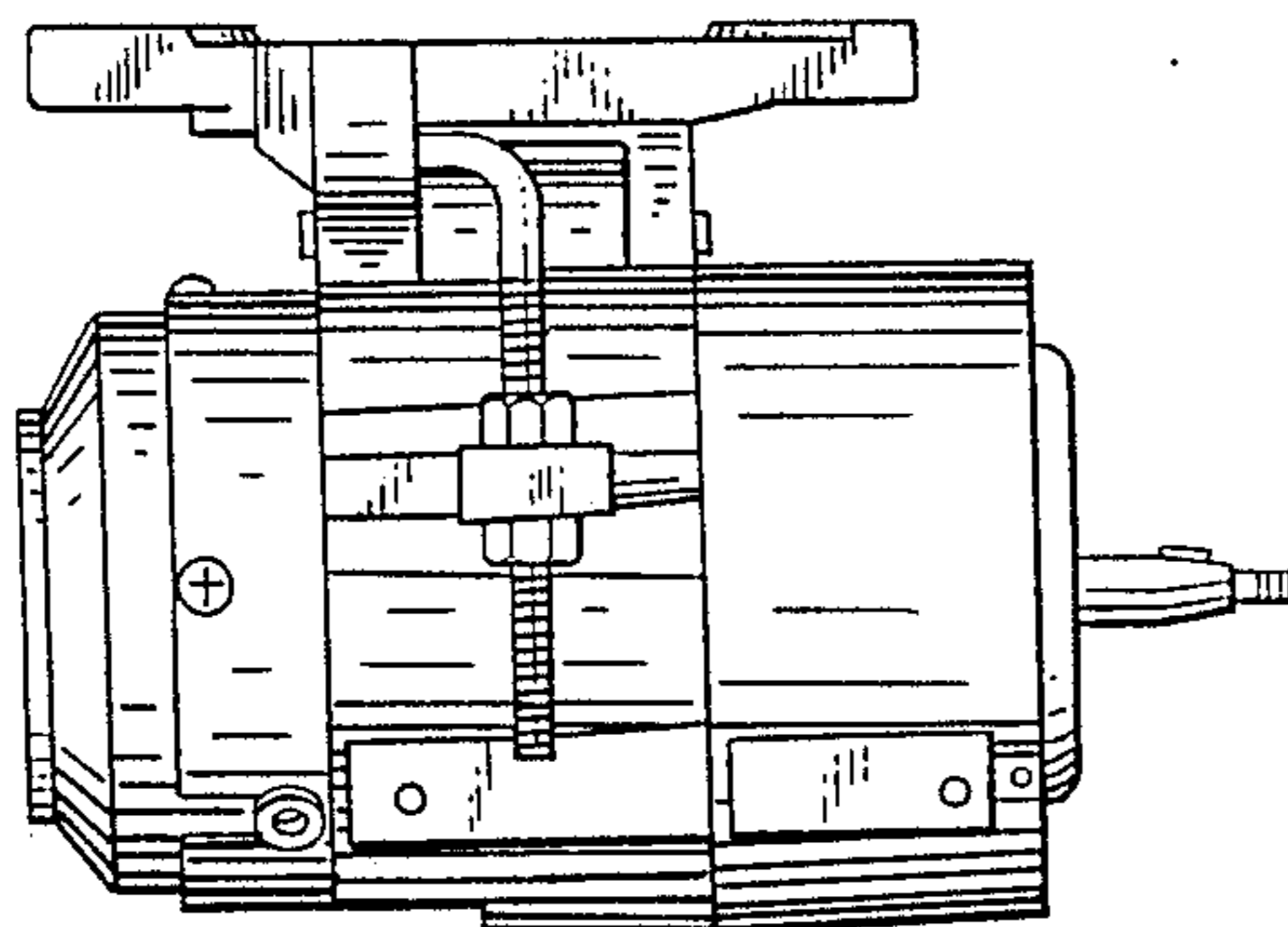


FIG. 2

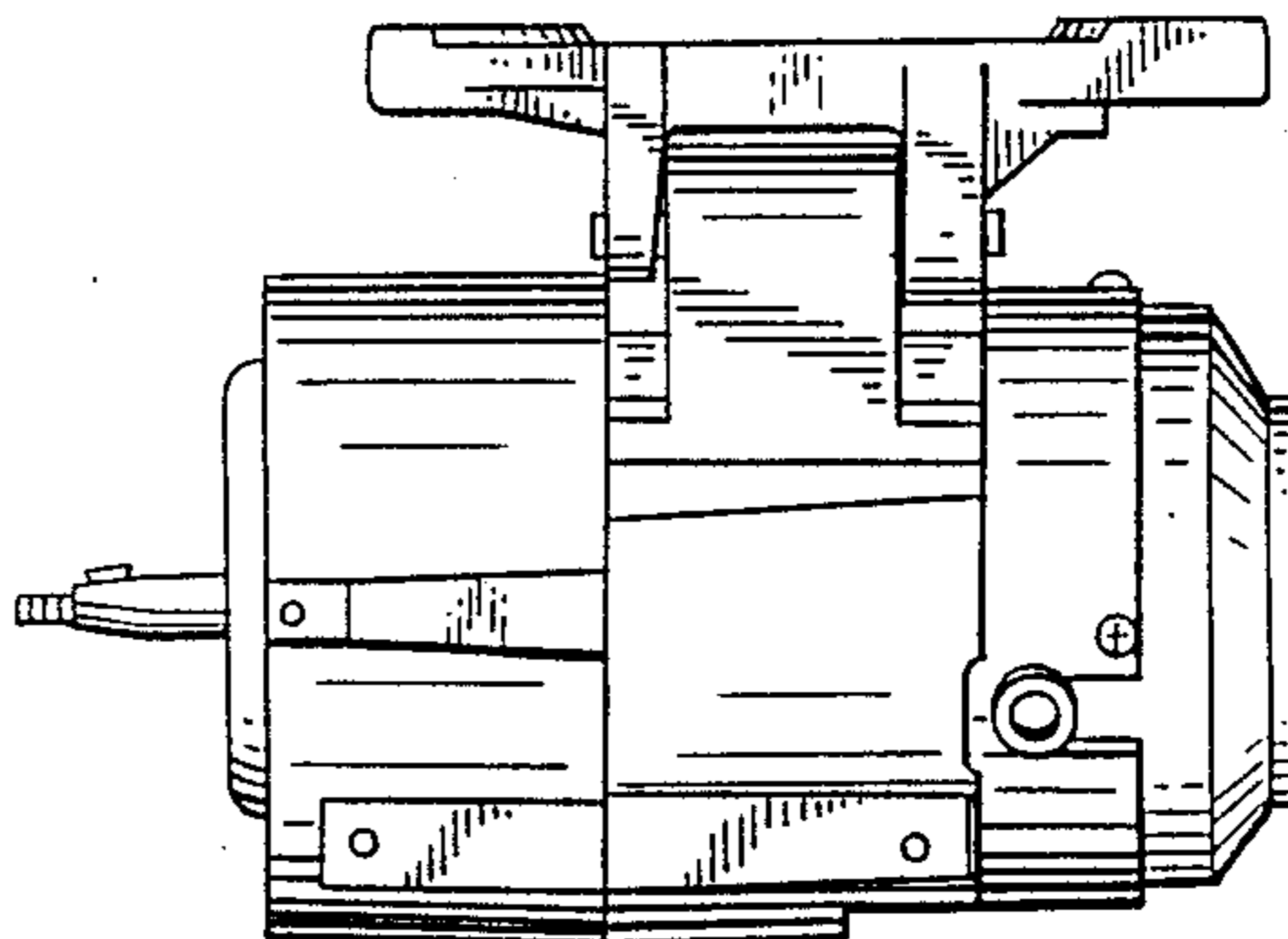


FIG. 3

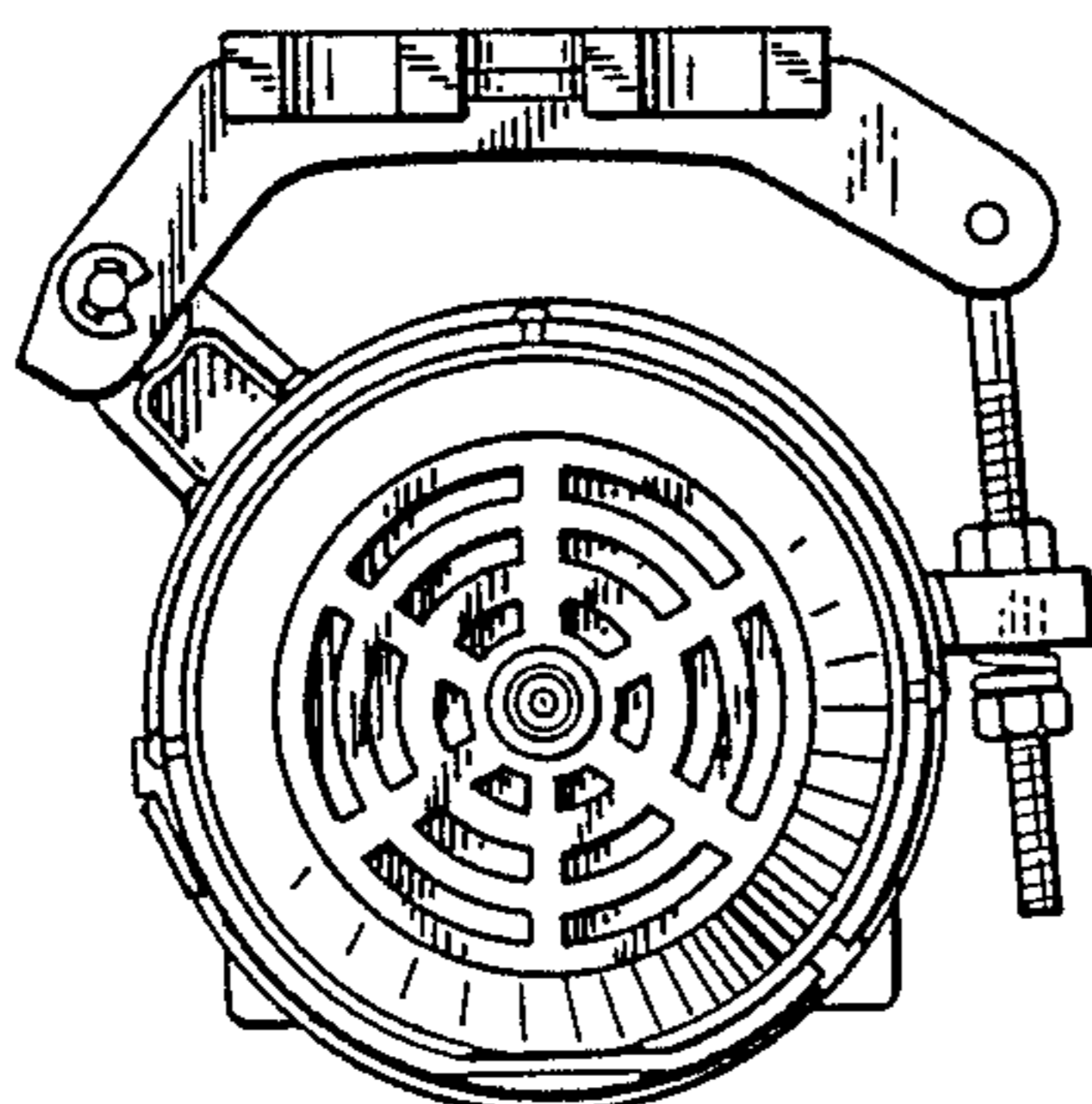


FIG. 4

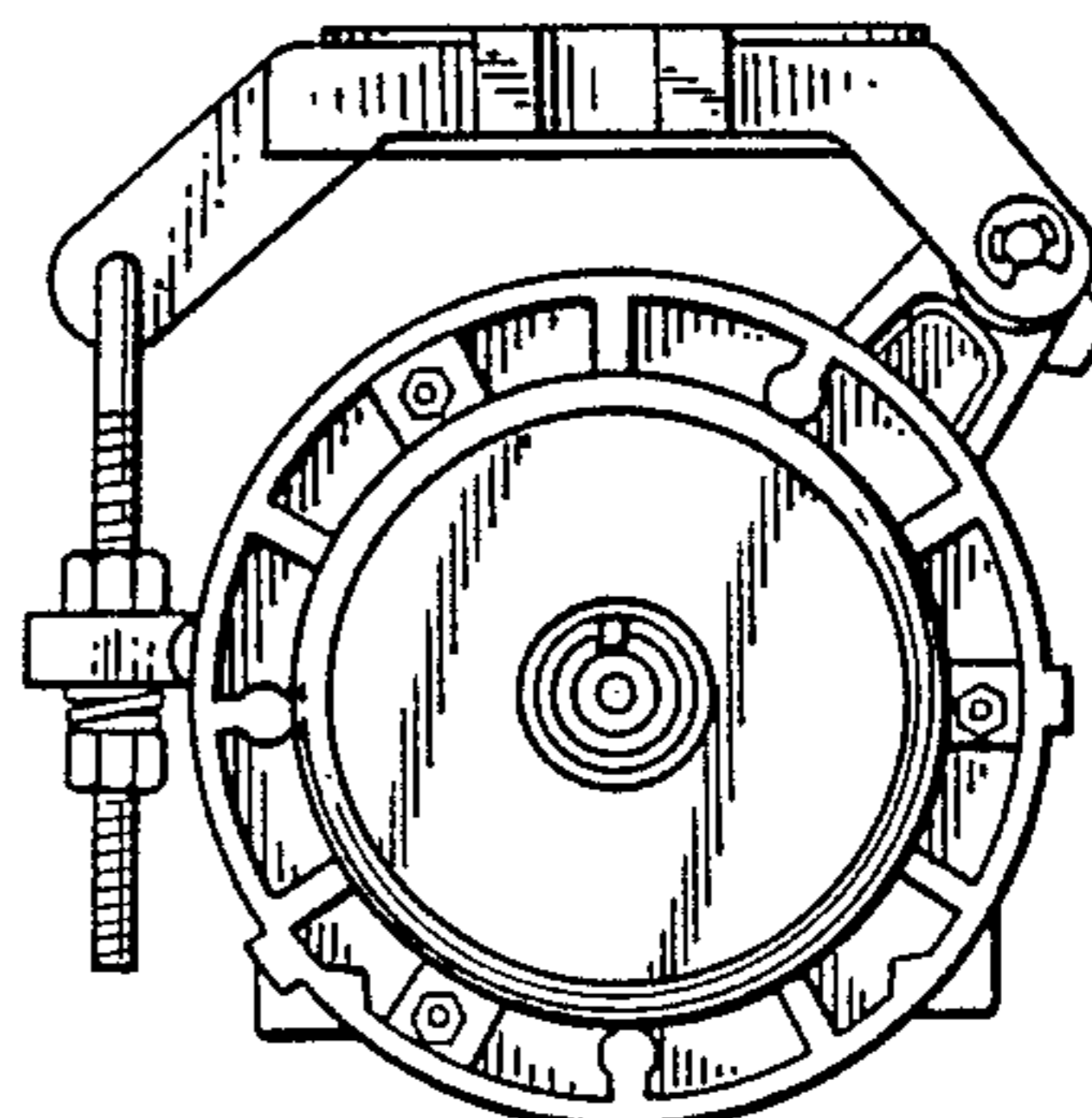


FIG. 5

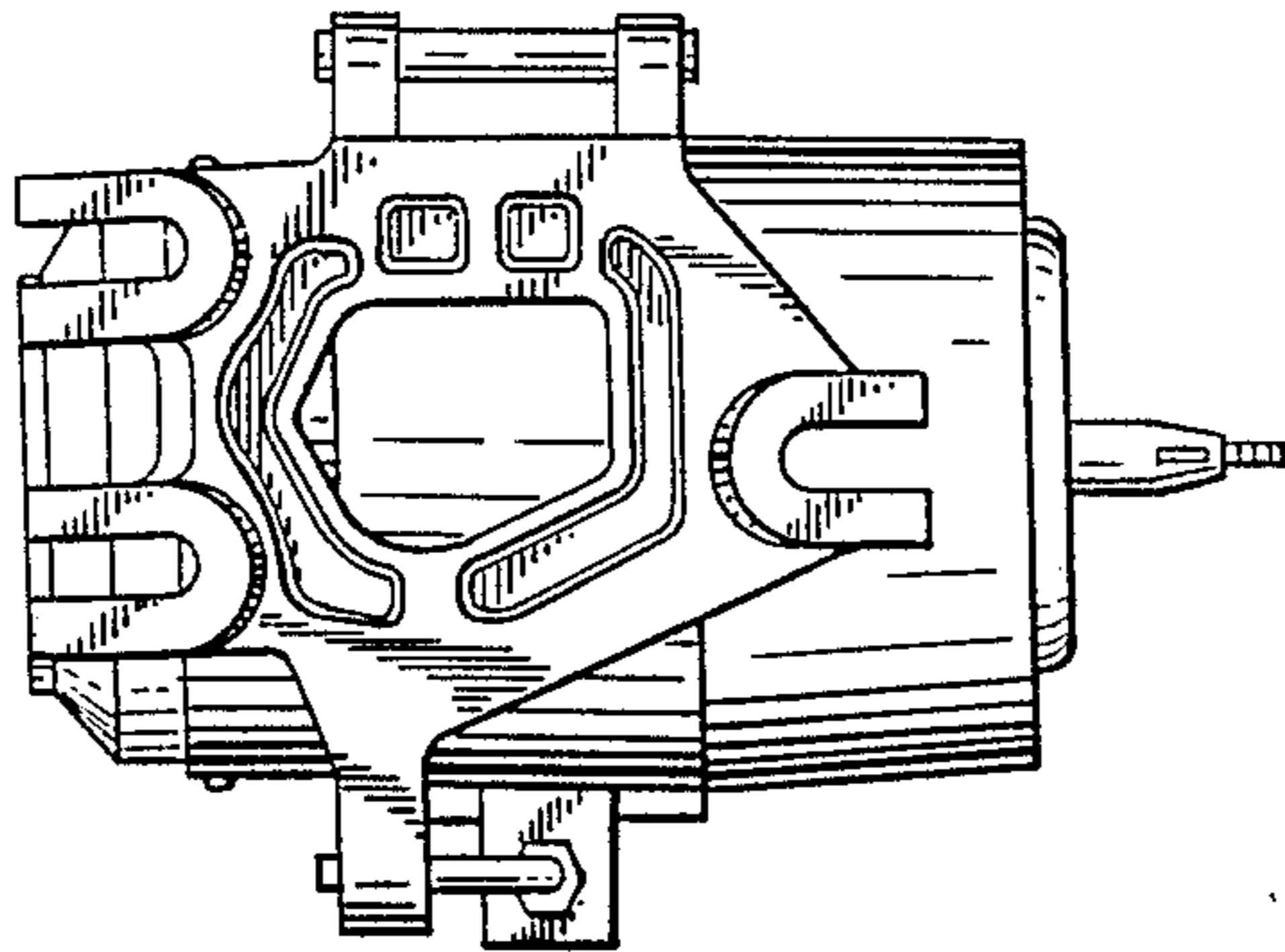


FIG. 6

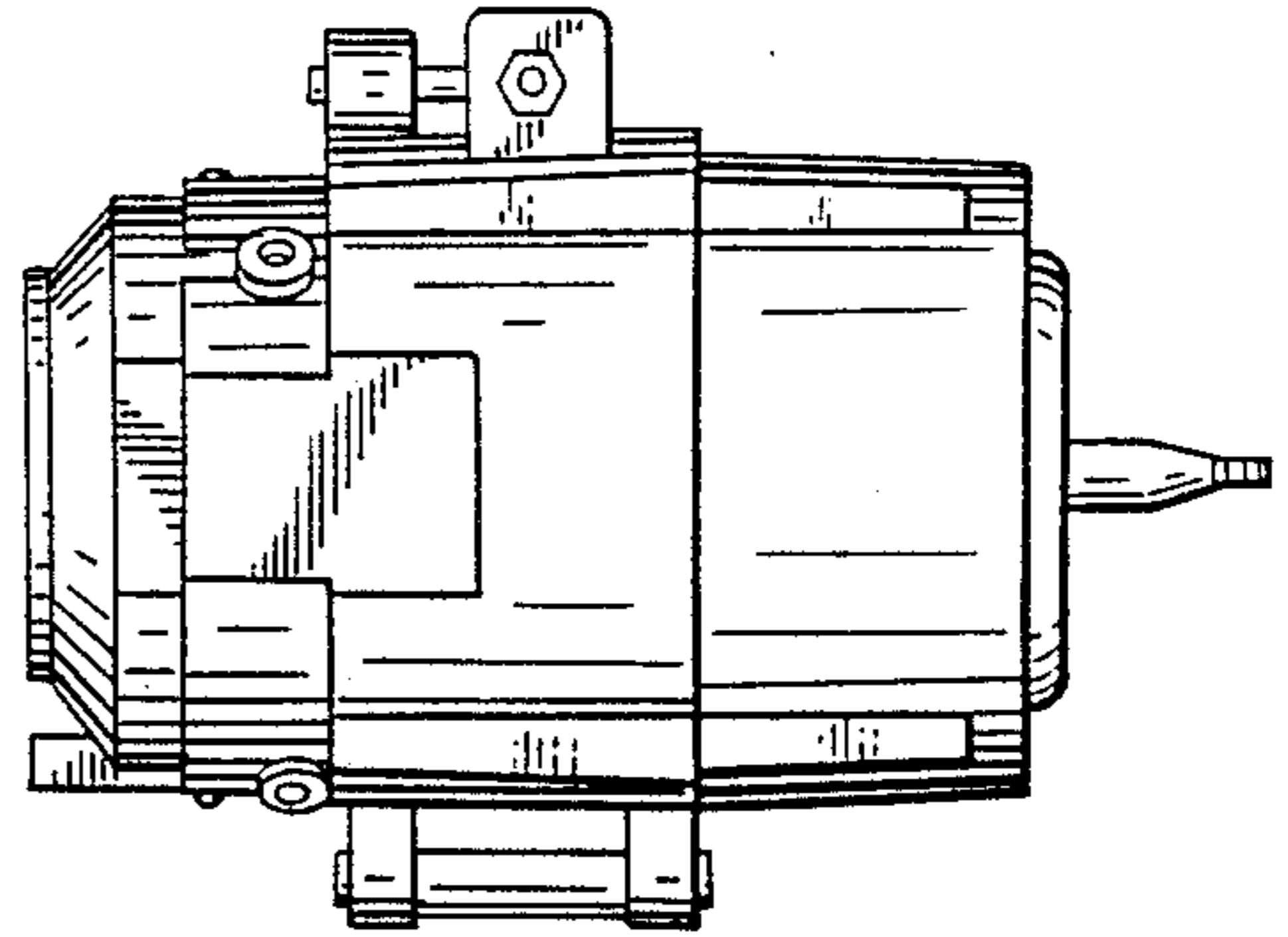


FIG. 7

