

[54] **BICYCLE RACK**

[76] **Inventor: Irving W. Kosecoff, 2852 Sawtelle Blvd., No. 25, Los Angeles, Calif. 90064**

[**] **Term: 14 Years**

[21] **Appl. No.: 265,924**

[22] **Filed: Nov. 2, 1988**

[52] **U.S. Cl. D12/158**

[58] **Field of Search D12/158; 224/32 R, 32 A, 224/35, 39**

[56] **References Cited**

U.S. PATENT DOCUMENTS

- D. 276,991 1/1985 Blackburn D12/158
- D. 285,426 9/1986 Blackburn et al. D12/158

- D. 299,818 2/1989 Blackburn D12/158
- 4,429,818 2/1984 Patterson et al. 224/39
- 4,760,943 8/1988 Bass et al. 224/39

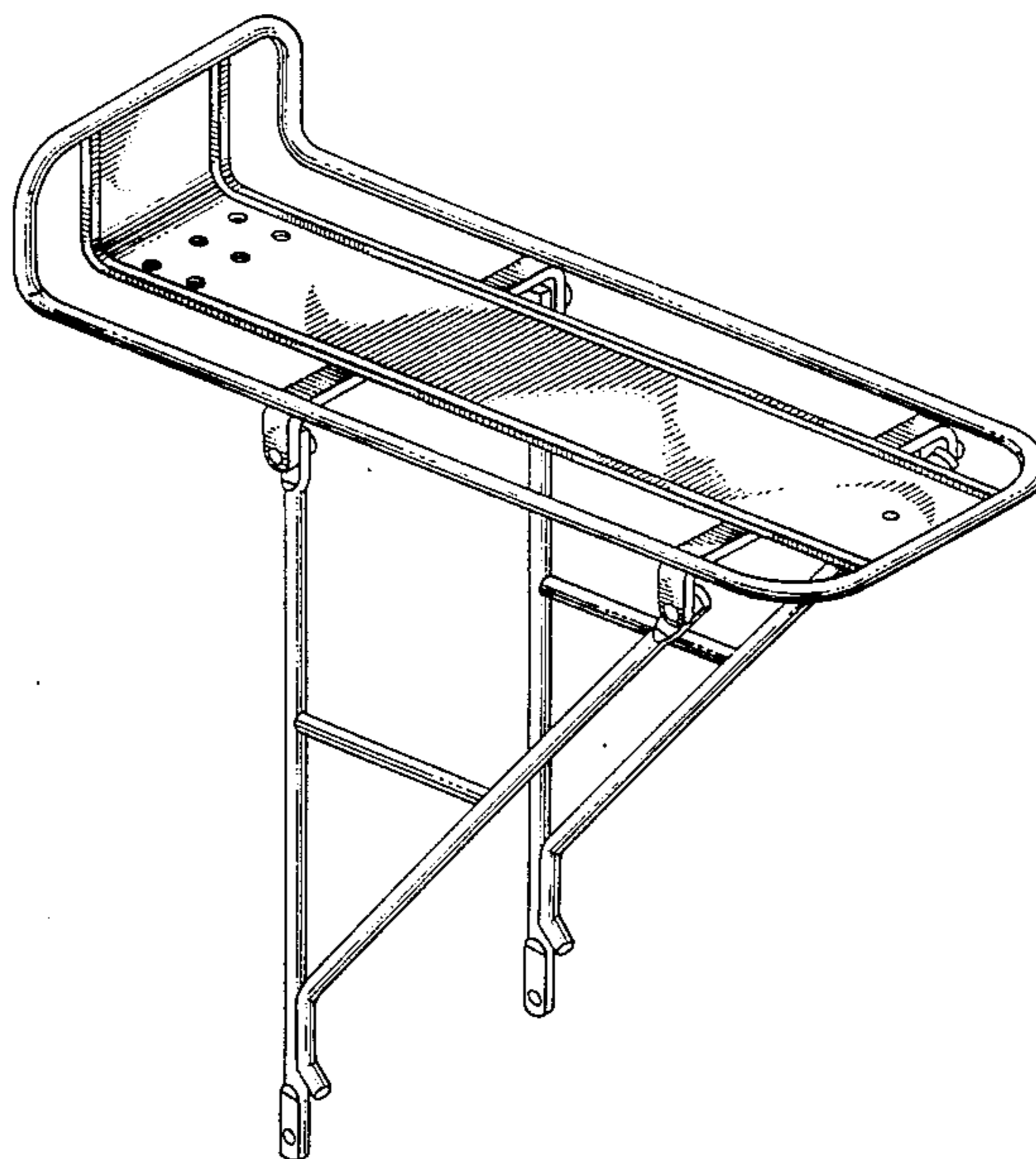
Primary Examiner—James M. Gandy
Assistant Examiner—Melody Brown
Attorney, Agent, or Firm—Pretty, Schroeder, Brueggemann & Clark

[57] **CLAIM**

The ornamental design for a bicycle rack, as shown.

DESCRIPTION

FIG. 1 is a front perspective view of a bicycle rack showing my new design;
FIG. 2 is a top plan view thereof;
FIG. 3 is a side elevation view thereof;
FIG. 4 is a rear elevation view thereof; and
FIG. 5 is a front elevation view thereof.



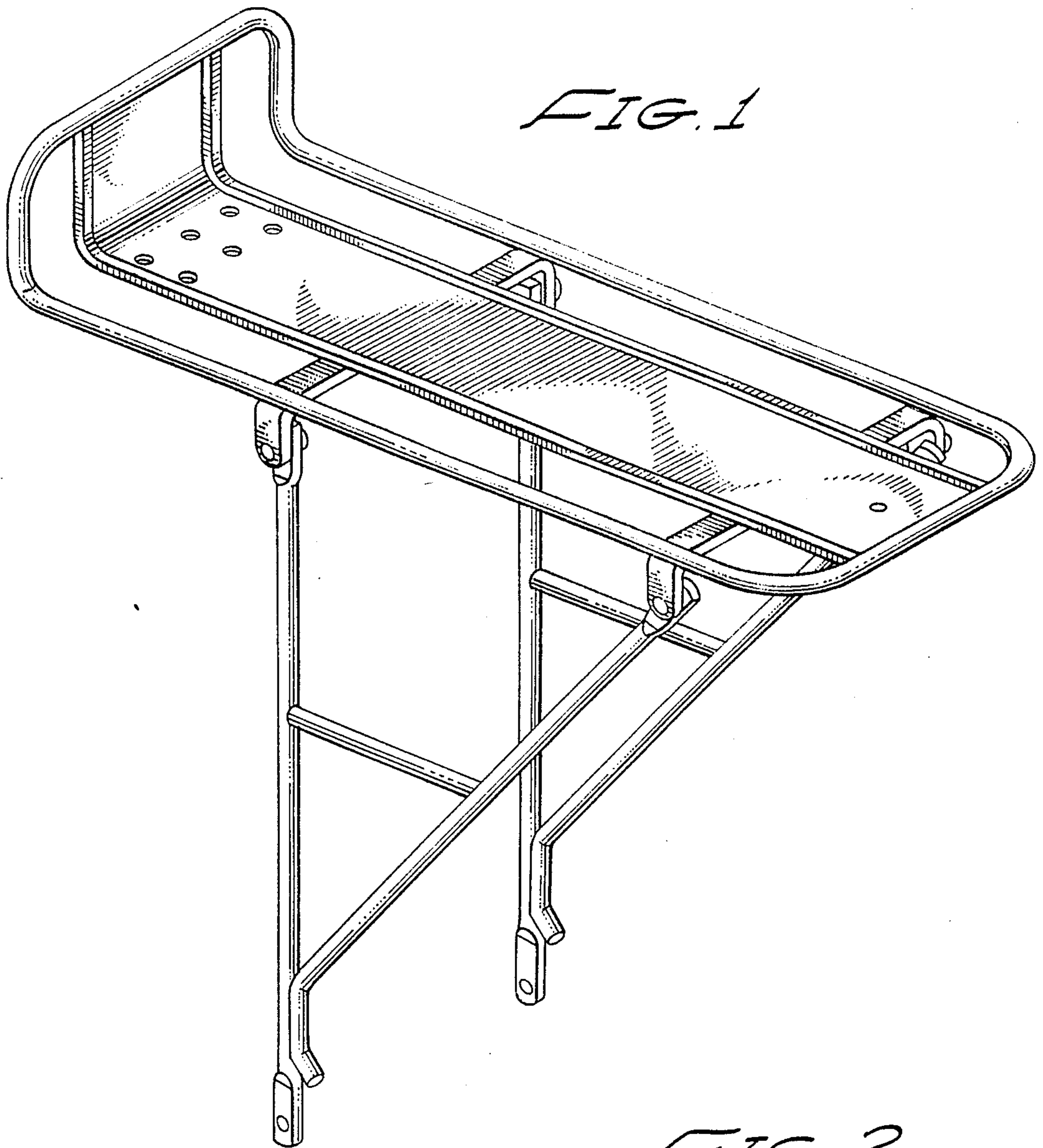


FIG. 2

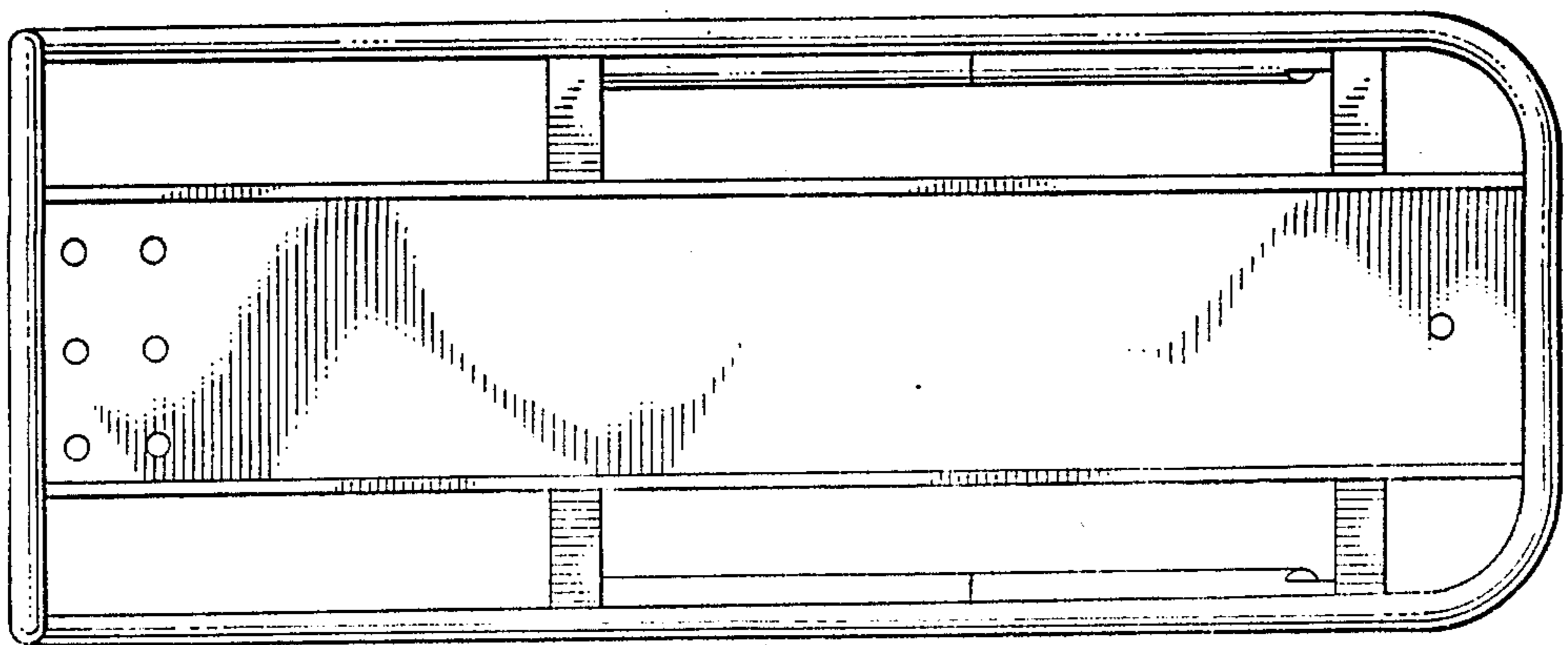


FIG. 3

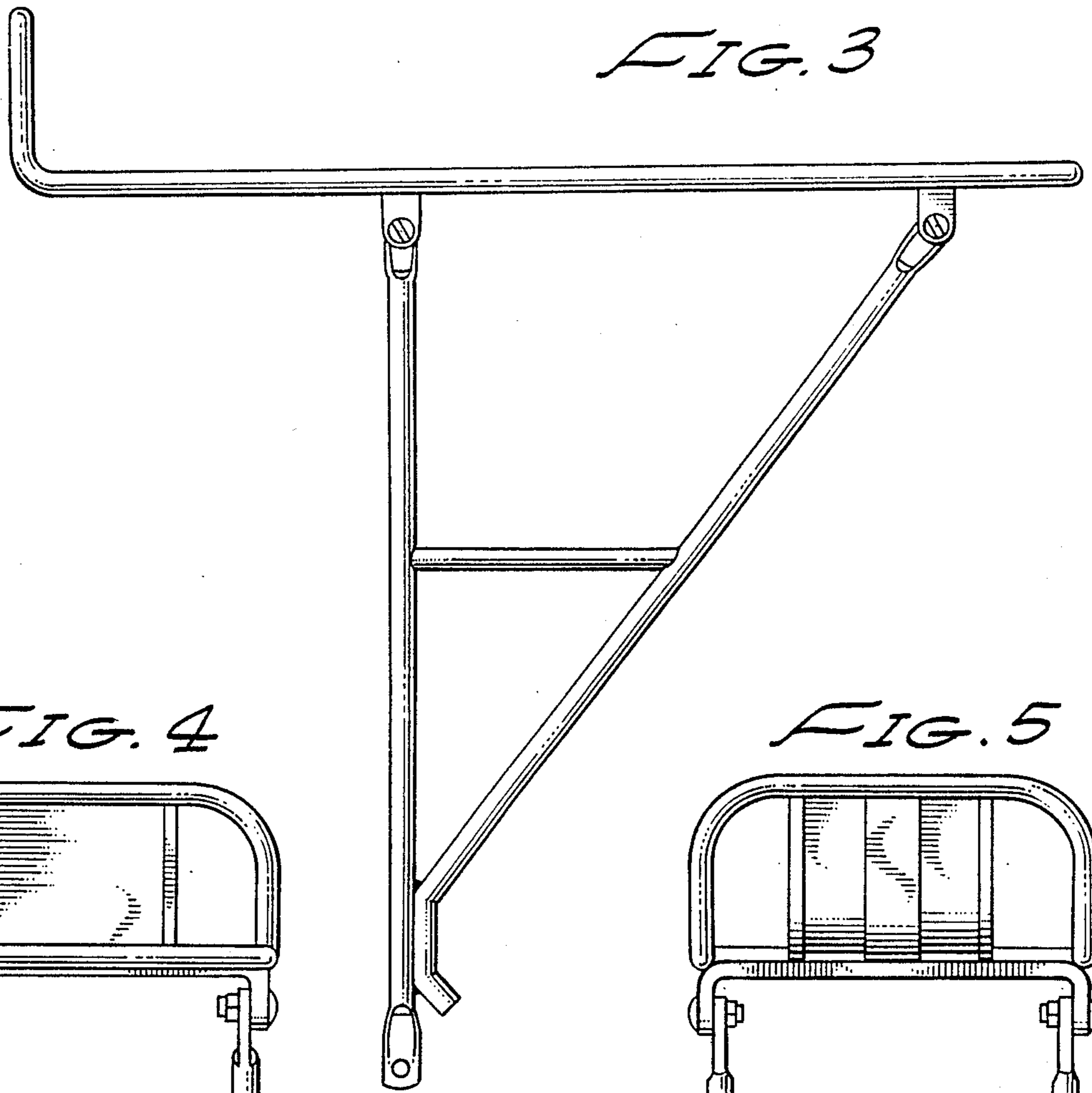


FIG. 4

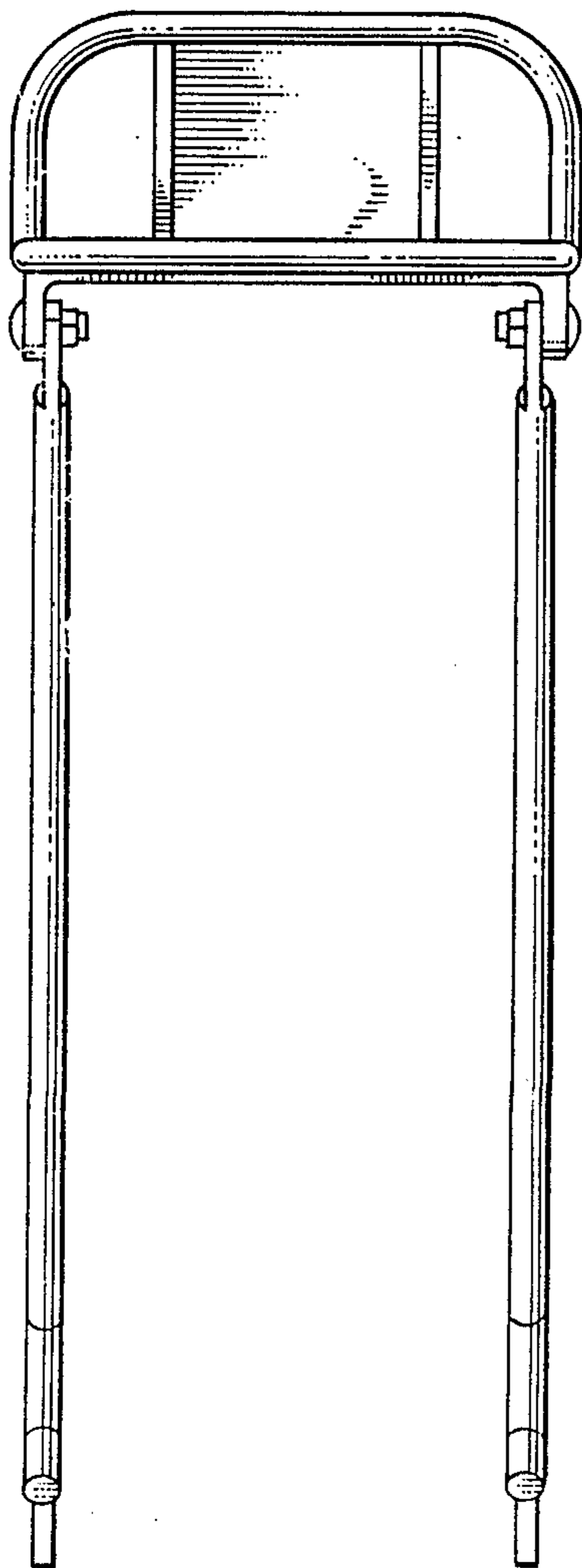


FIG. 5

