

[54] TELESCOPIC CAMPER CAP

4,784,429 11/1988 Hodges 296/100
4,813,735 3/1989 Avitable 296/100

[75] Inventors: William E. Hertzberg, Santa Barbara;
Michael J. Botich, Ventura; Mark
Murphy, Thousand Oaks, all of Calif.

Primary Examiner—James M. Gandy
Attorney, Agent, or Firm—Blakely, Sokoloff, Taylor &
Zafman

[73] Assignee: Zipper Project, Inc., Santa Barbara,
Calif.

[57] CLAIM

[**] Term: 14 Years

The ornamental design for a telescopic camper cap, as
shown.

[21] Appl. No.: 261,471

DESCRIPTION

[22] Filed: Oct. 24, 1988

[52] U.S. Cl. D12/156

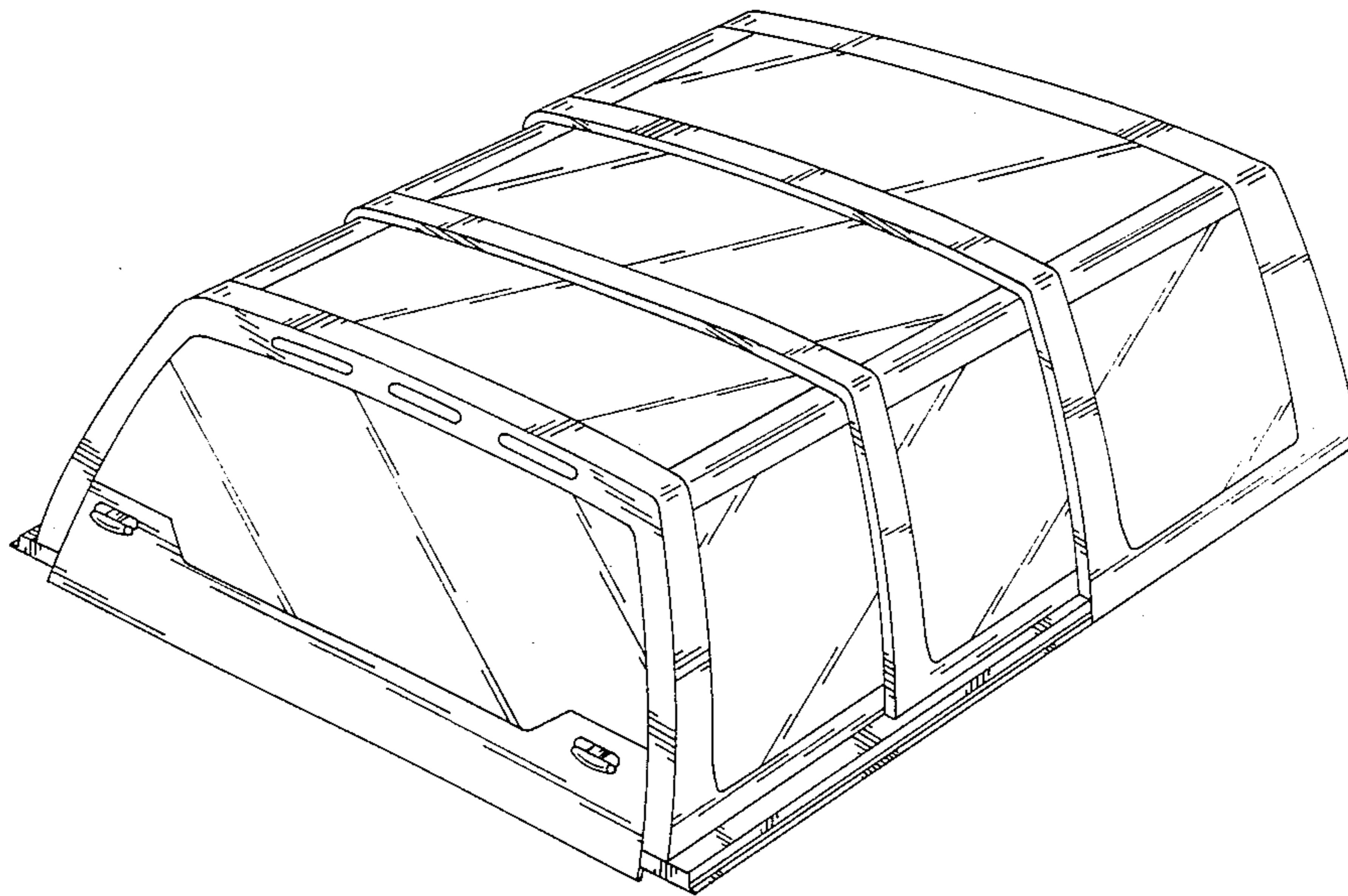
[58] Field of Search D12/156; 296/99.1, 100,
296/102, 104, 105, 156, 165, 175, 26, 27, 10

FIG. 1 is a perspective view of the telescopic camper
cap;
FIG. 2 is a top plan view thereof;
FIG. 3 is a side elevation view from the right side
thereof;
FIG. 4 is an elevation view from the rear end thereof;
FIG. 5 is a side elevation view from the left side thereof;
and
FIG. 6 is an elevation view from the front end thereof.

[56] References Cited

U.S. PATENT DOCUMENTS

4,659,136 4/1987 Martin et al. 296/100



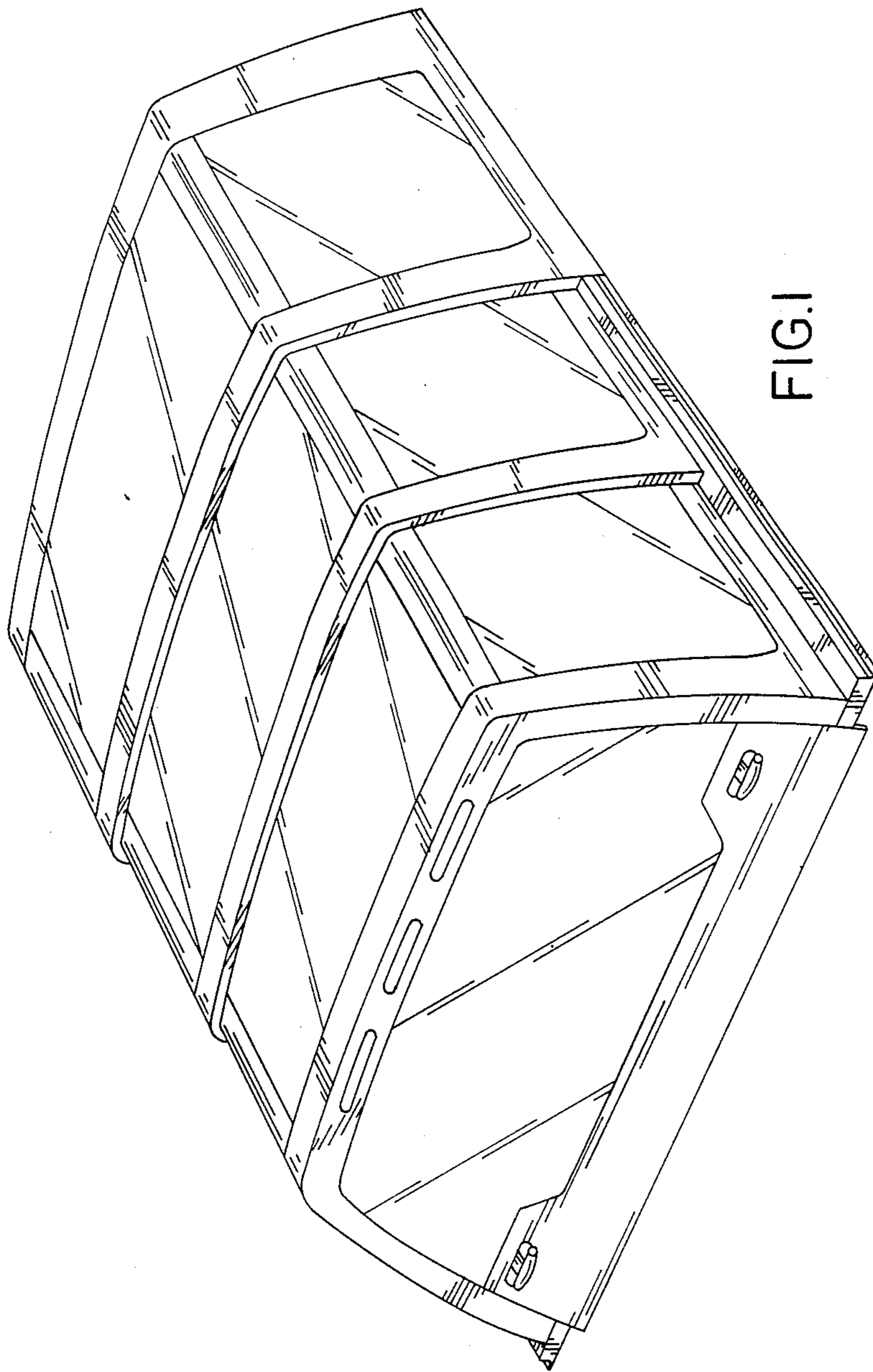


FIG. 1

FIG. 2

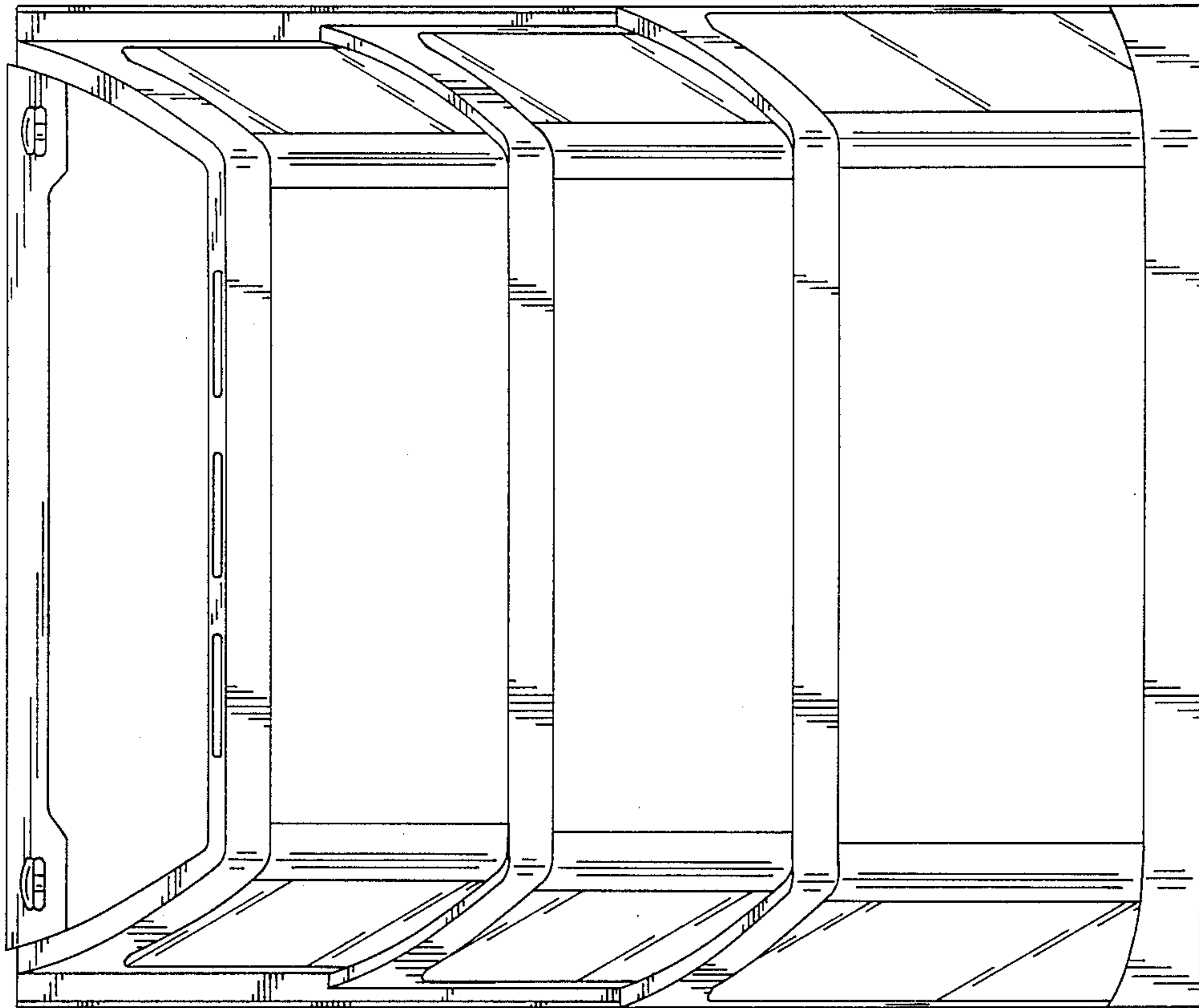
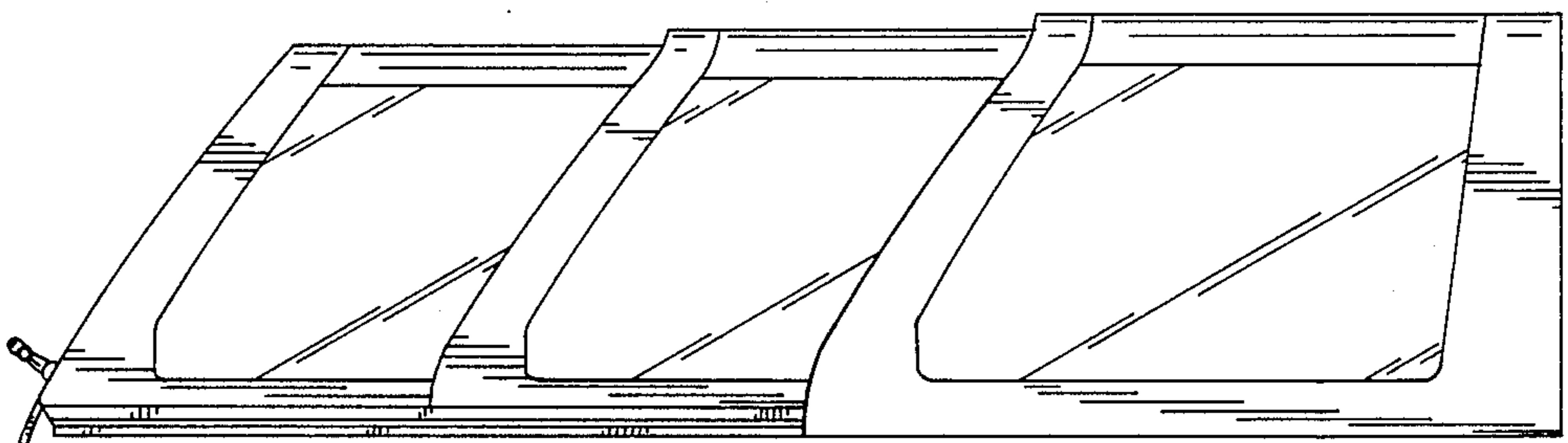


FIG. 3



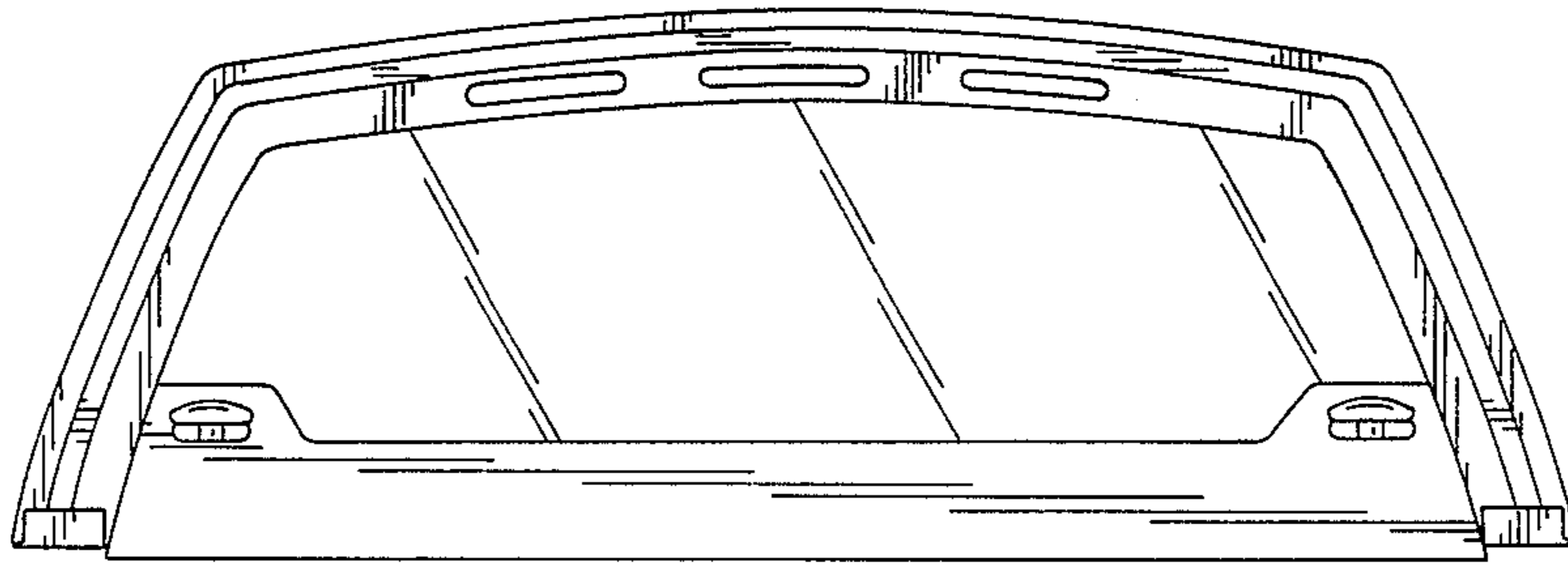


FIG. 4

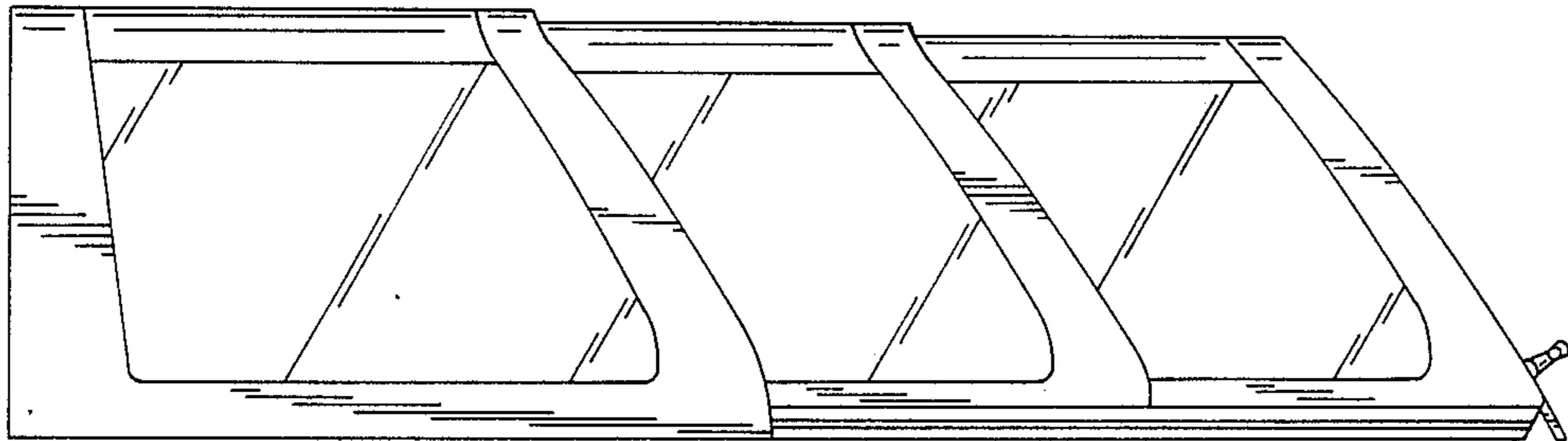


FIG. 5

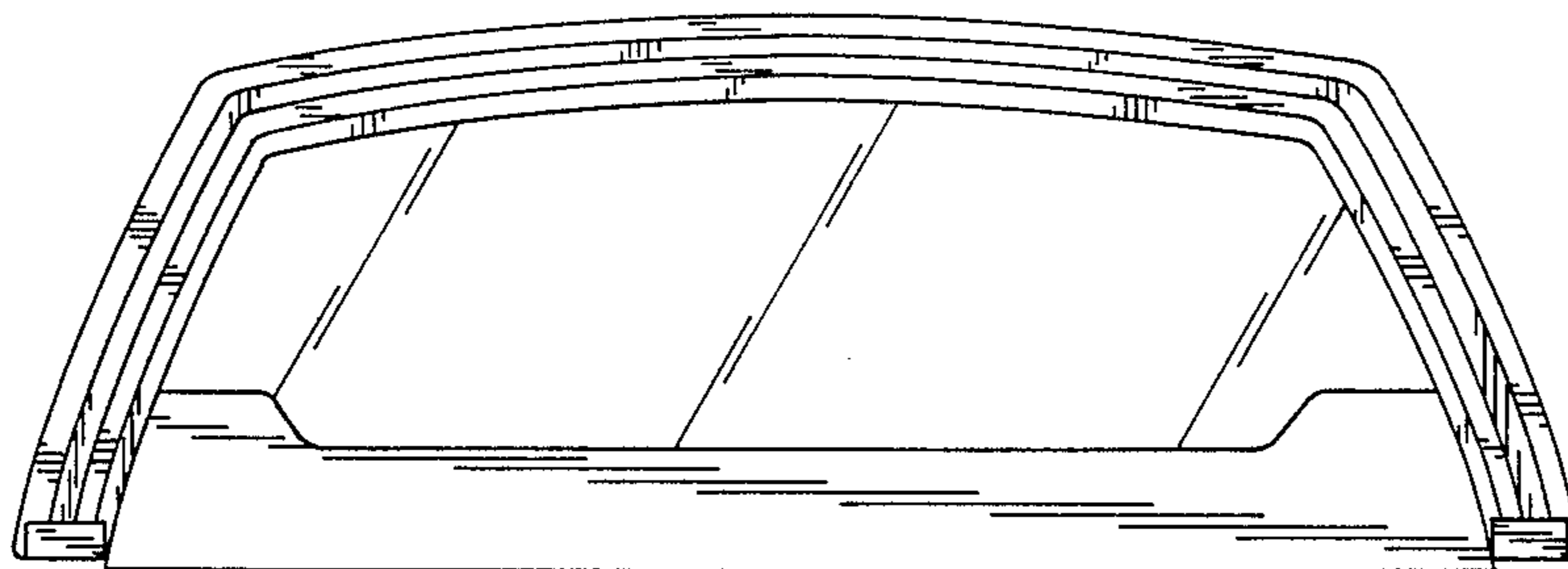


FIG. 6