

[54] **AUTOMOBILE TIRE**

[75] **Inventor: Hirotugu Hasegawa, Hyogo, Japan**

[73] **Assignee: Sumitomo Rubber Industries, Ltd., Hyogo, Japan**

[\*\*] **Term: 14 Years**

[21] **Appl. No.: 123,648**

[22] **Filed: Nov. 20, 1987**

[30] **Foreign Application Priority Data**

May 20, 1987 [JP] Japan ..... 62-19757

[52] **U.S. Cl. .... D12/147**

[58] **Field of Search ..... D12/136, 140, 145-151; 152/209 R, 209 B, 209 D**

[56] **References Cited**

**U.S. PATENT DOCUMENTS**

D. 301,855 6/1989 Ono ..... D12/147

**OTHER PUBLICATIONS**

1987 Tread Design Guide, ©1/87, p. 81, Yokohama

AVS-V152 Tire, second row down from top, right side of page.  
Tire Review, 11/86, p. 91, Uniroyal Rallye GT Tire, lower center of page.

*Primary Examiner*—James M. Gandy  
*Attorney, Agent, or Firm*—Birch, Stewart, Kolasch & Birch

[57] **CLAIM**

The ornamental design for an automobile tire, as shown and described.

**DESCRIPTION**

FIG. 1 is a perspective view of an automobile tire showing my new design: it being understood that the tread pattern is repeated uniformly throughout the circumference of the tire and the opposite side is the same as that shown

FIG. 2 is a front elevational view thereof; and FIG. 3 is a side elevational view thereof.

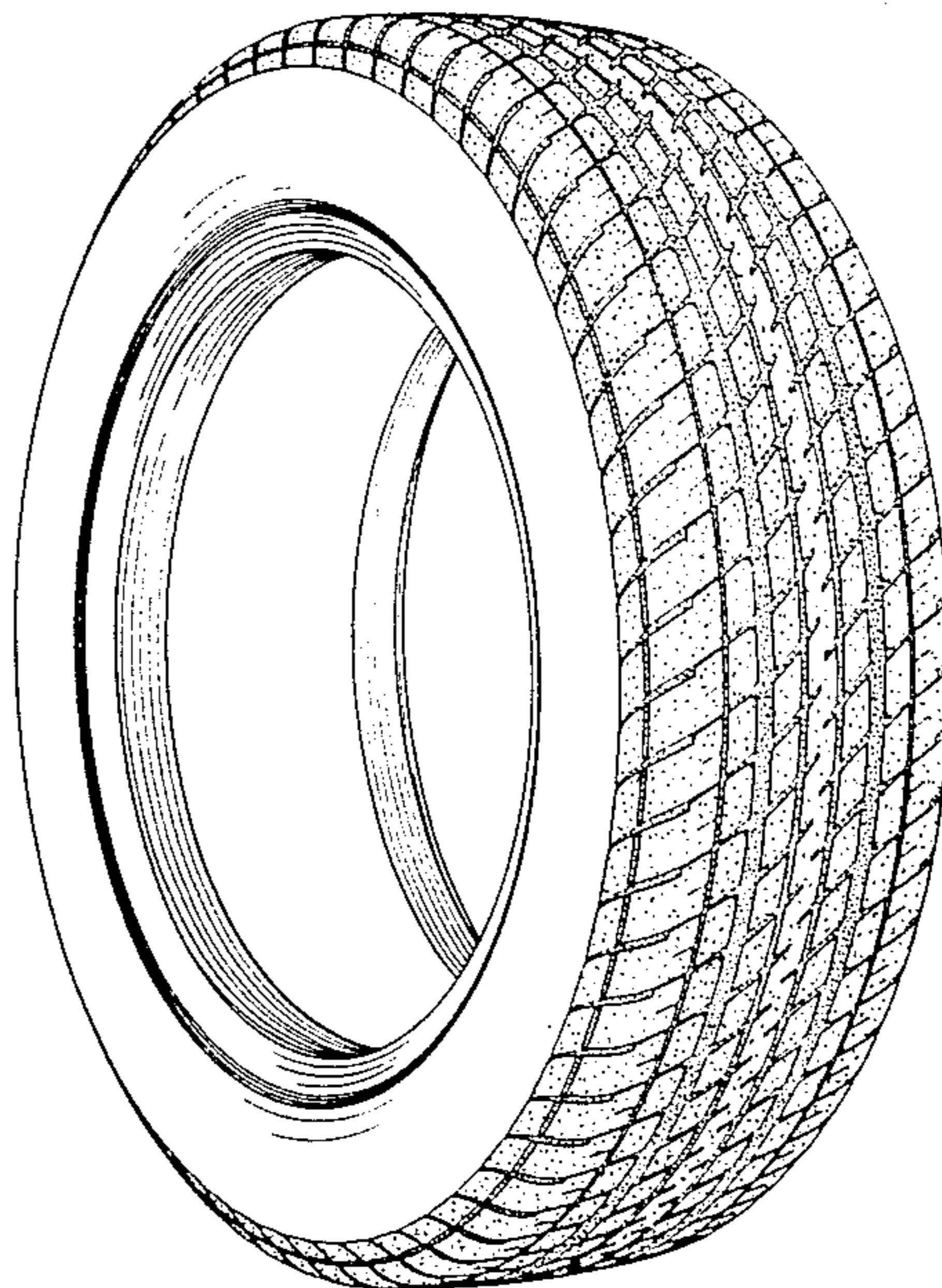


FIG. 1

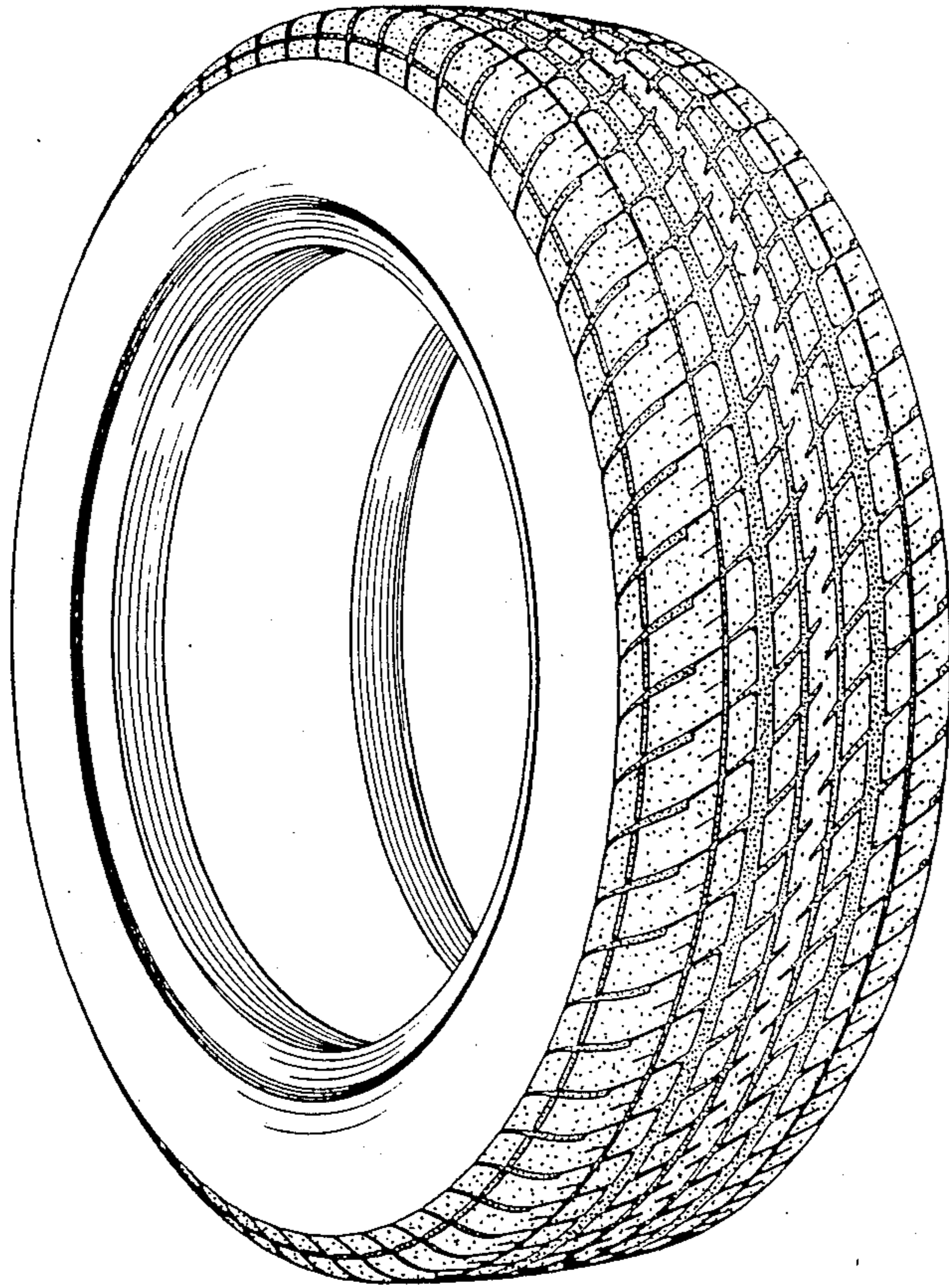


FIG. 2

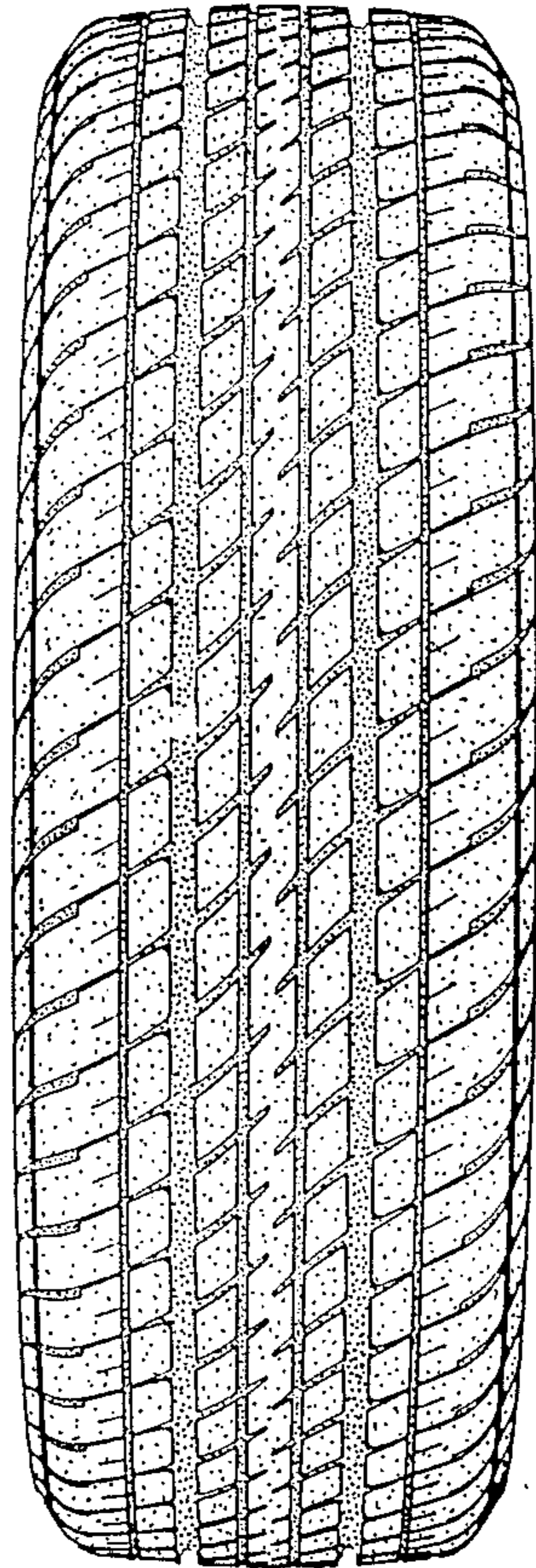


FIG. 3

