

[54] TRAILER STAND

497338 12/1938 United Kingdom 280/475
497390 12/1938 United Kingdom 280/475

[76] Inventors: **Jacobus C. van der Merwe**, 801 Beechwood Dr., Kingsport, Tenn. 37663; **Lucas C. van der Merwe**, 113 Dover La., Bristol, Tenn. 37620

OTHER PUBLICATIONS

E. Z. Loader Boat Trailer Magazine, Sep. 1986, p. 19, trailer stand.

[**] Term: 14 Years

Primary Examiner—James M. Gandy

Assistant Examiner—Melody Brown

[21] Appl. No.: 221,239

Attorney, Agent, or Firm—Fleit, Jacobson, Cohn, Price, Holman & Stern

[22] Filed: Jul. 19, 1988

[52] U.S. Cl. D12/106

[57] CLAIM

[58] Field of Search D12/106; 280/475; 248/351

The ornamental design for a trailer stand, as shown and described.

[56] References Cited

DESCRIPTION

U.S. PATENT DOCUMENTS

D. 248,291	6/1978	Boldt	D12/102
D. 269,420	6/1983	McClure, Jr.	D12/106
D. 279,661	7/1985	Heard	D12/106
D. 291,017	7/1987	Magness	D12/106
3,434,735	3/1969	Bernard	280/406
3,779,579	12/1973	Ostwald	280/475
3,841,663	10/1974	Proffit	280/475
4,372,568	2/1983	Campbell	280/63

FIG. 1 is a perspective view of a trailer stand showing my new design in extended condition it being understood that the broken lines are for illustrative purposes only and forms no part of the claimed design;

FIG. 2 is a perspective view thereof in retracted condition;

FIG. 3 is a top plan view thereof with the wheel slightly pivoted;

FIG. 4 is a bottom plan view thereof;

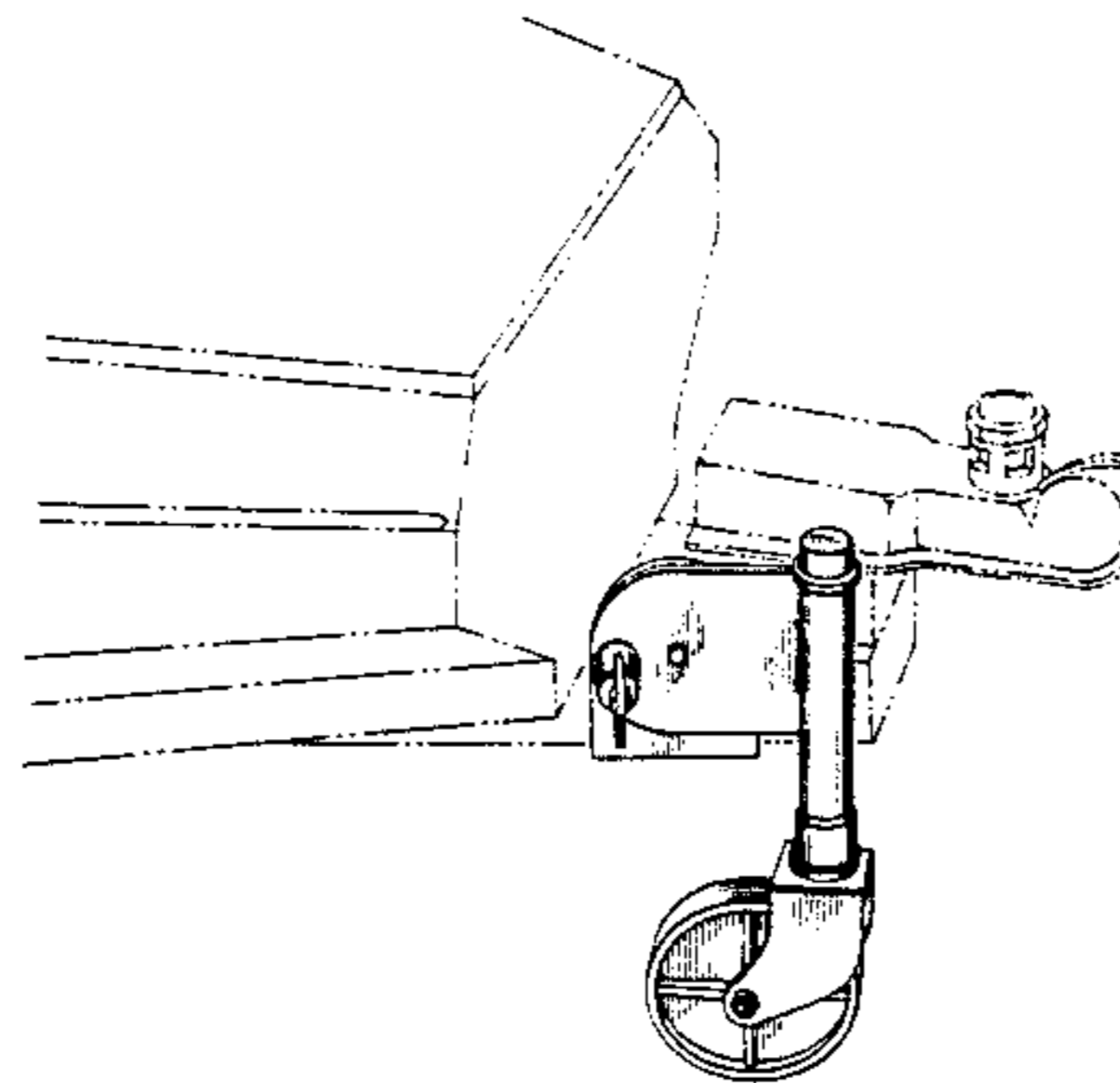
FIG. 5 is a side elevation view thereof;

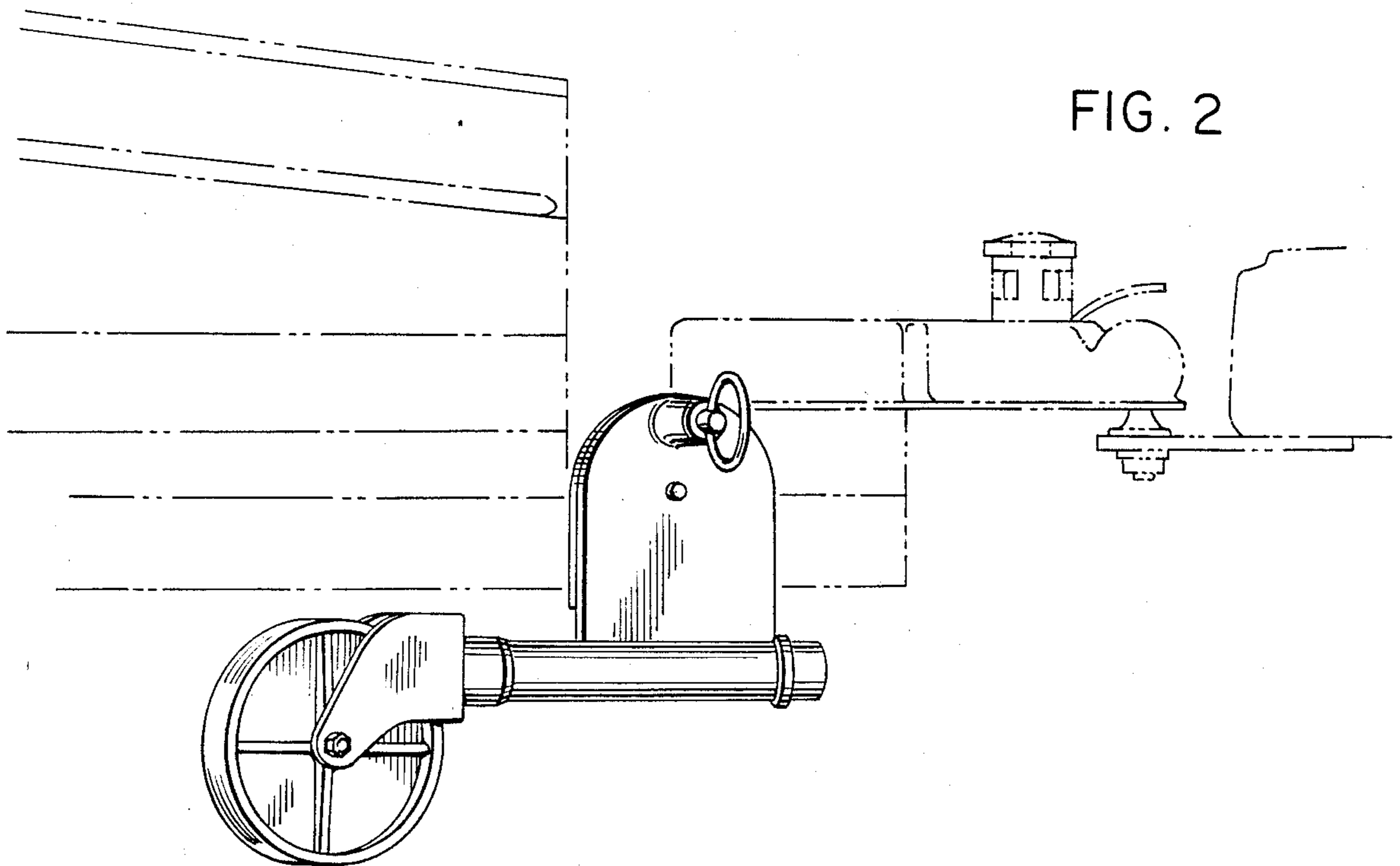
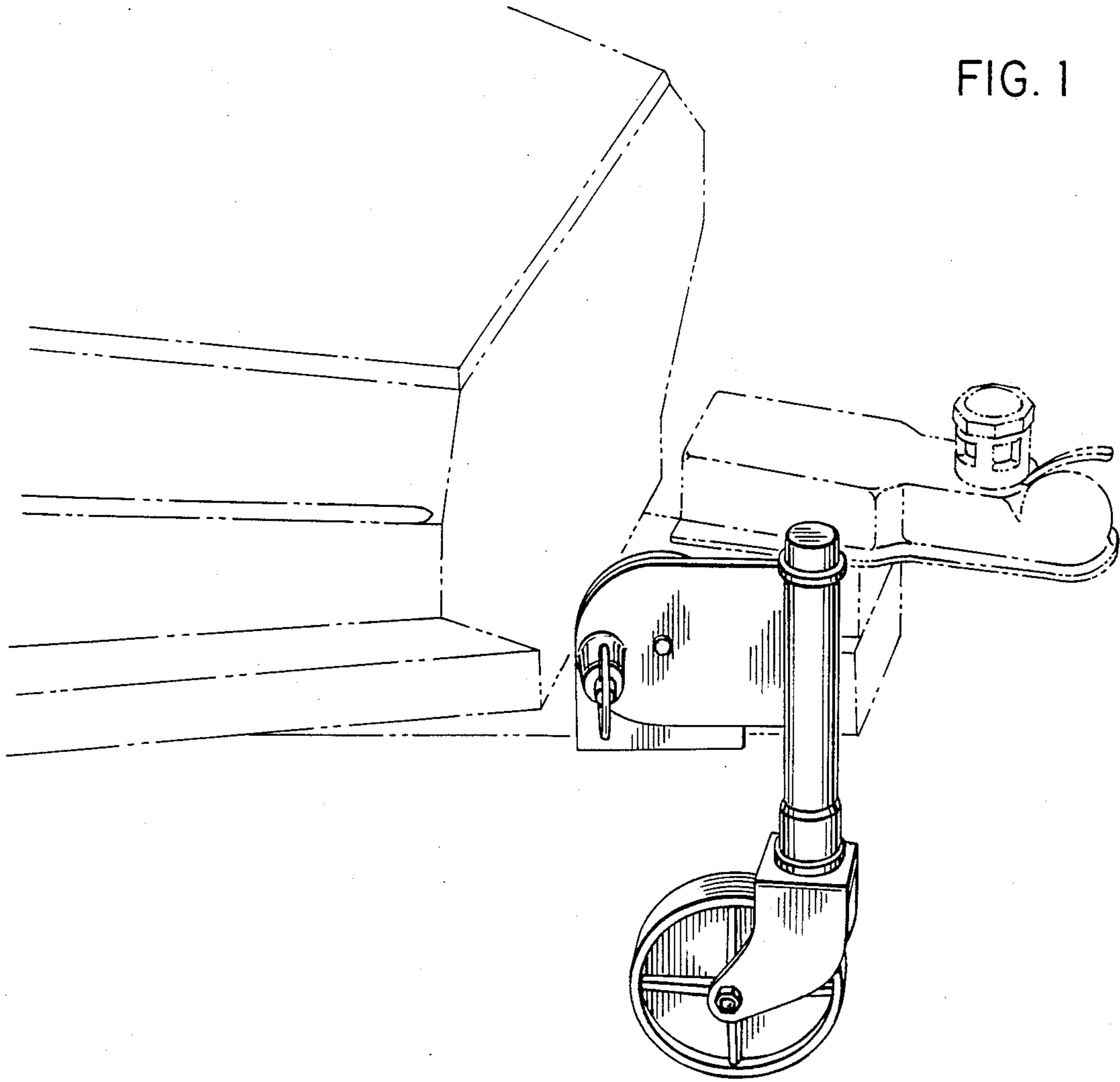
FIG. 6 is a rear elevation view thereof; and

FIG. 7 is a front elevation view thereof.

FOREIGN PATENT DOCUMENTS

1346661	11/1963	France	280/475
---------	---------	--------	-------	---------





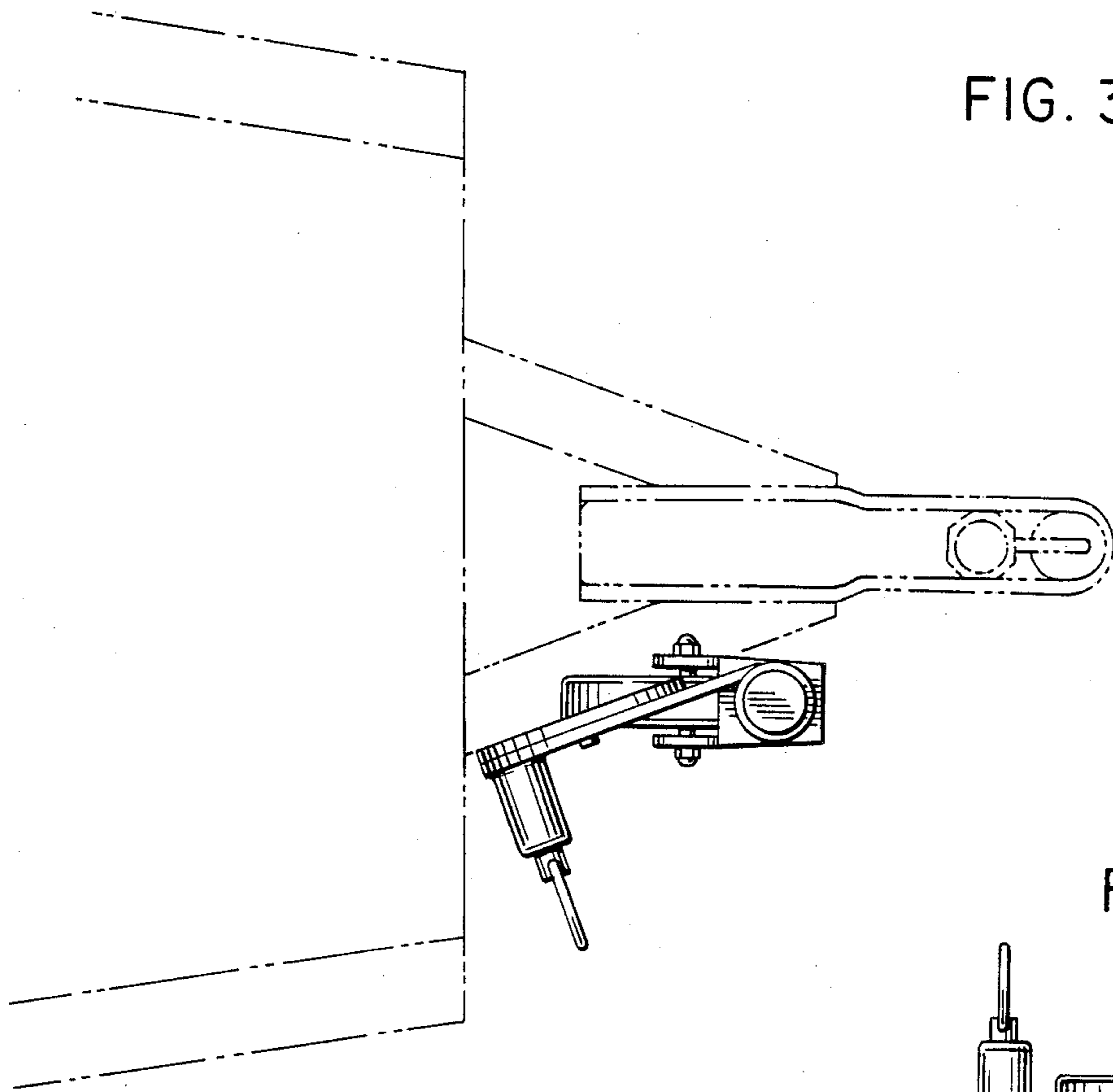


FIG. 3

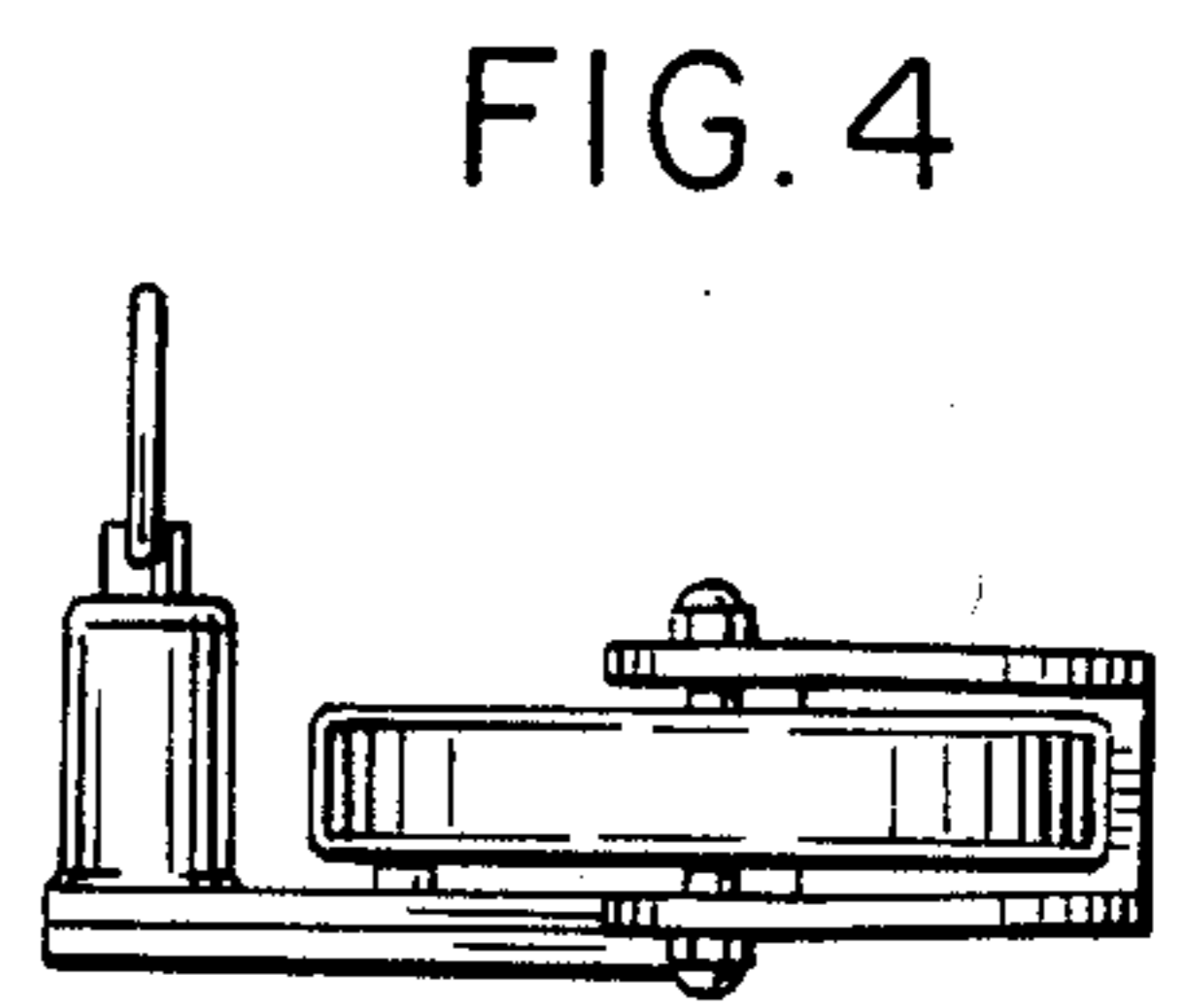


FIG. 4

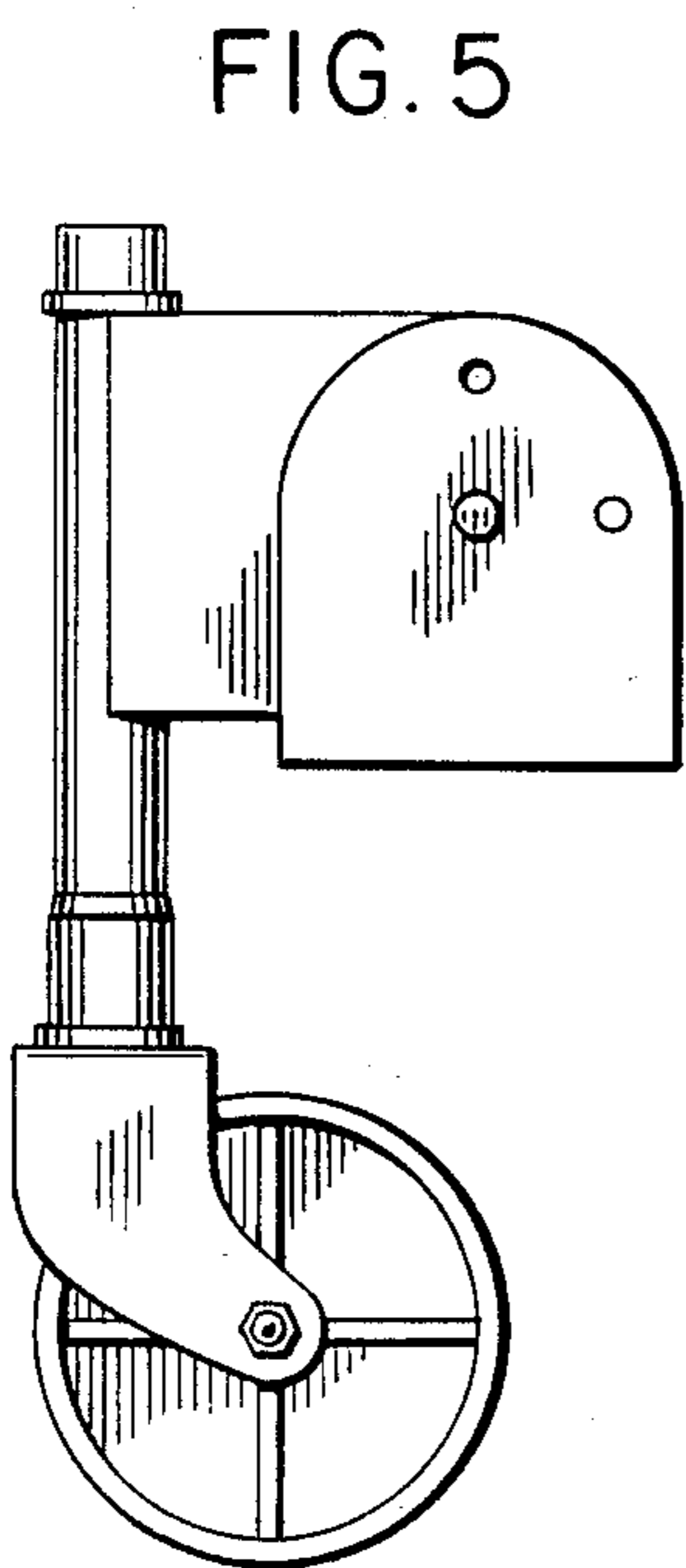


FIG. 5

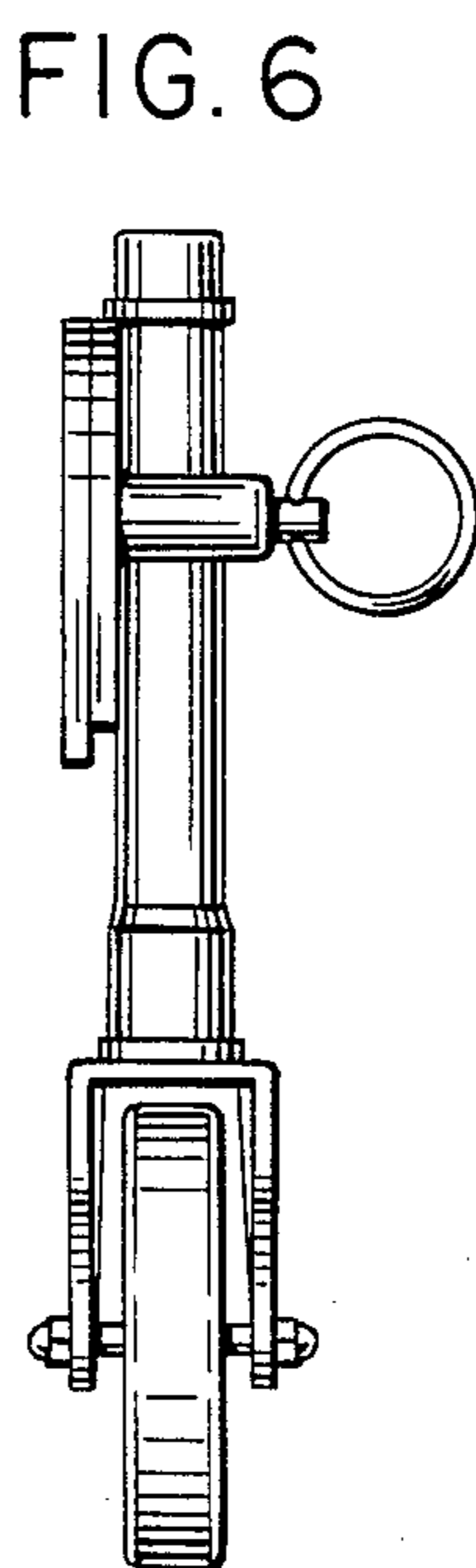


FIG. 6

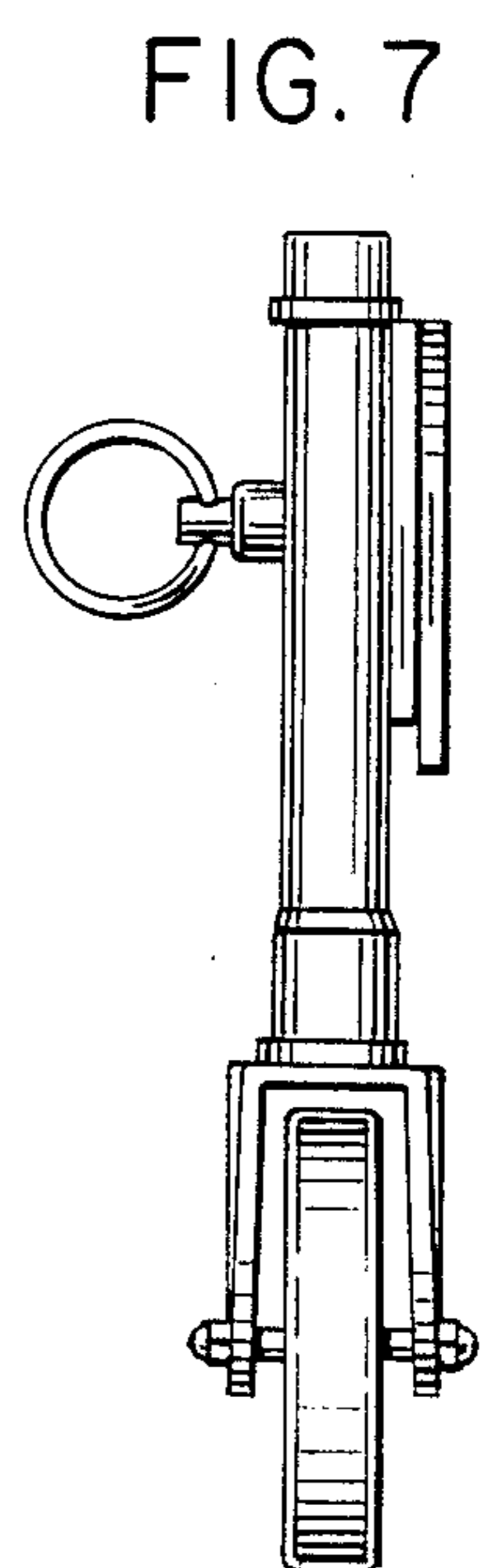


FIG. 7