

United States Patent [19]

Stake et al.

[11] Patent Number: Des. 310,798

[45] Date of Patent: ** Sep. 25, 1990

[54] **ROLLTRANSPORT CONTAINER**

[75] Inventors: **Esbrörn Stake, Hudiksvall; Lennart Magnusson, Iggesund, both of Sweden**

[73] Assignee: **Mecania HB, Hudiksvall, Sweden**

[**] Term: **14 Years**

[21] Appl. No.: **74,912**

[22] Filed: **Jul. 17, 1987**

[30] **Foreign Application Priority Data**

Jan. 19, 1987 [SE] Sweden 87-0080

[52] U.S. Cl. **D12/97**

[58] Field of Search D12/95, 97; 280/837, 280/839; 296/181; 220/1 V, 1.5

[56] **References Cited**

U.S. PATENT DOCUMENTS

D. 274,802 7/1984 Fossey et al. D12/95
D. 286,030 10/1986 Short D12/95

2,307,250 1/1943 Winchell 206/59
3,912,103 10/1975 Gerhard 220/1.5
4,060,174 11/1977 Gerhard 220/1.5
4,613,182 9/1986 Stone 296/181
4,615,453 10/1986 Taquoi 220/71

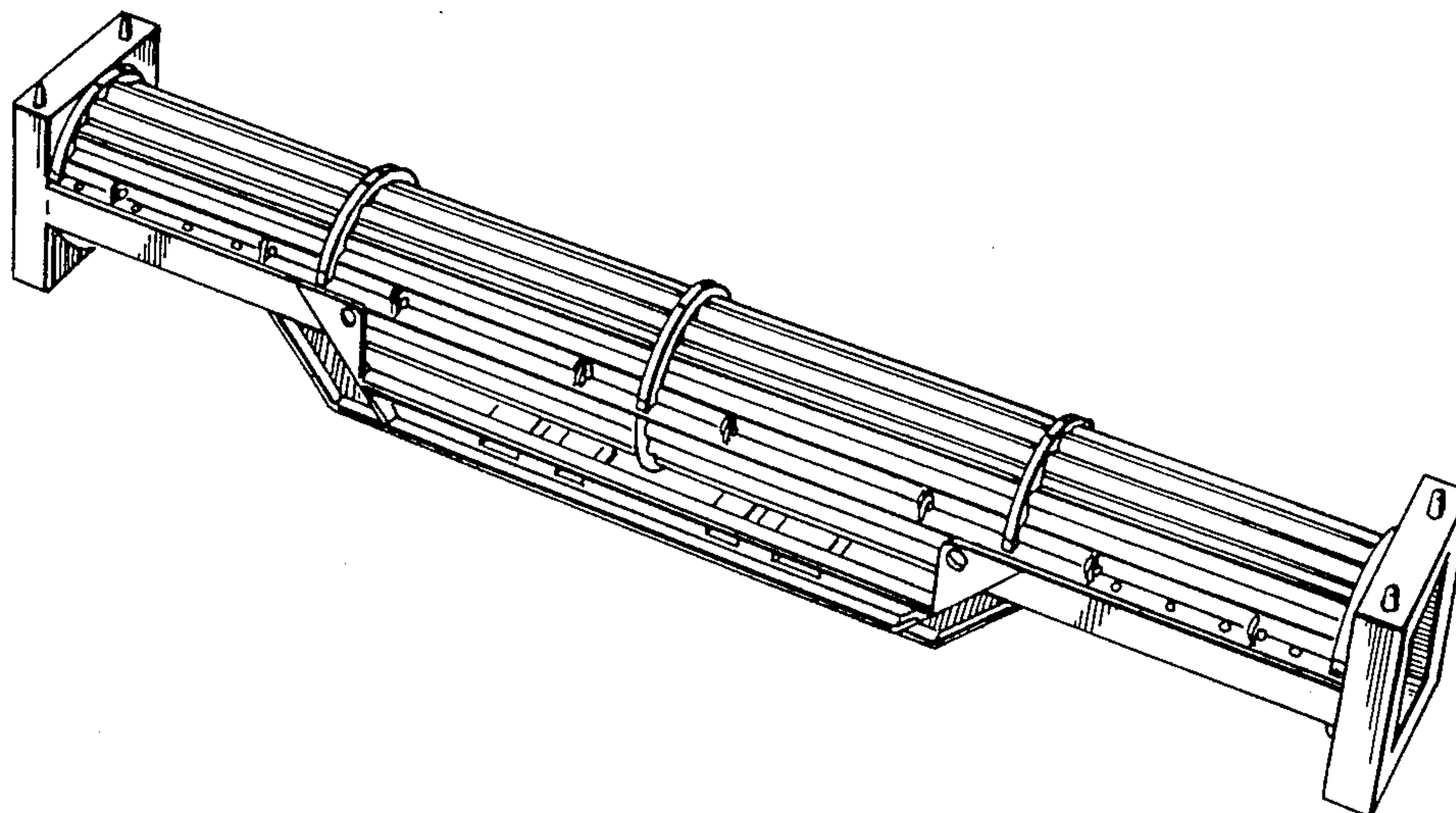
Primary Examiner—James M. Gandy
Attorney, Agent, or Firm—McFadden, Fincham, Marcus & Allen

[57] **CLAIM**

The ornamental design for a rolltransport container, as shown.

DESCRIPTION

FIG. 1 is a perspective view of the rollertransport container as seen obliquely from above;
FIG. 2 is a perspective view of the design as seen obliquely from below;
FIG. 3 is a side elevational view of the design the opposite side being the same, and
FIG. 4 is an end elevational view of the design the opposite end being the same.



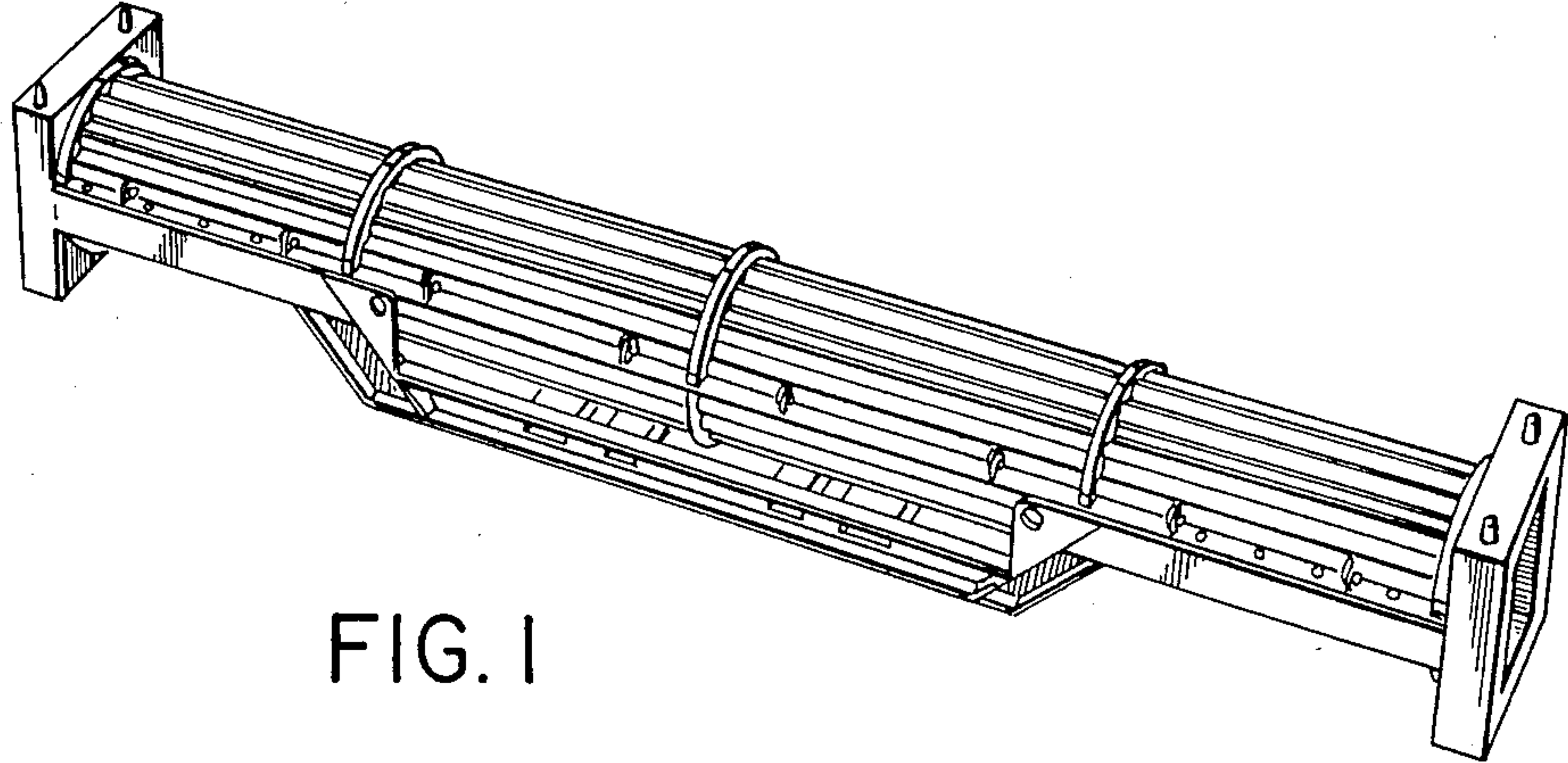


FIG. 1

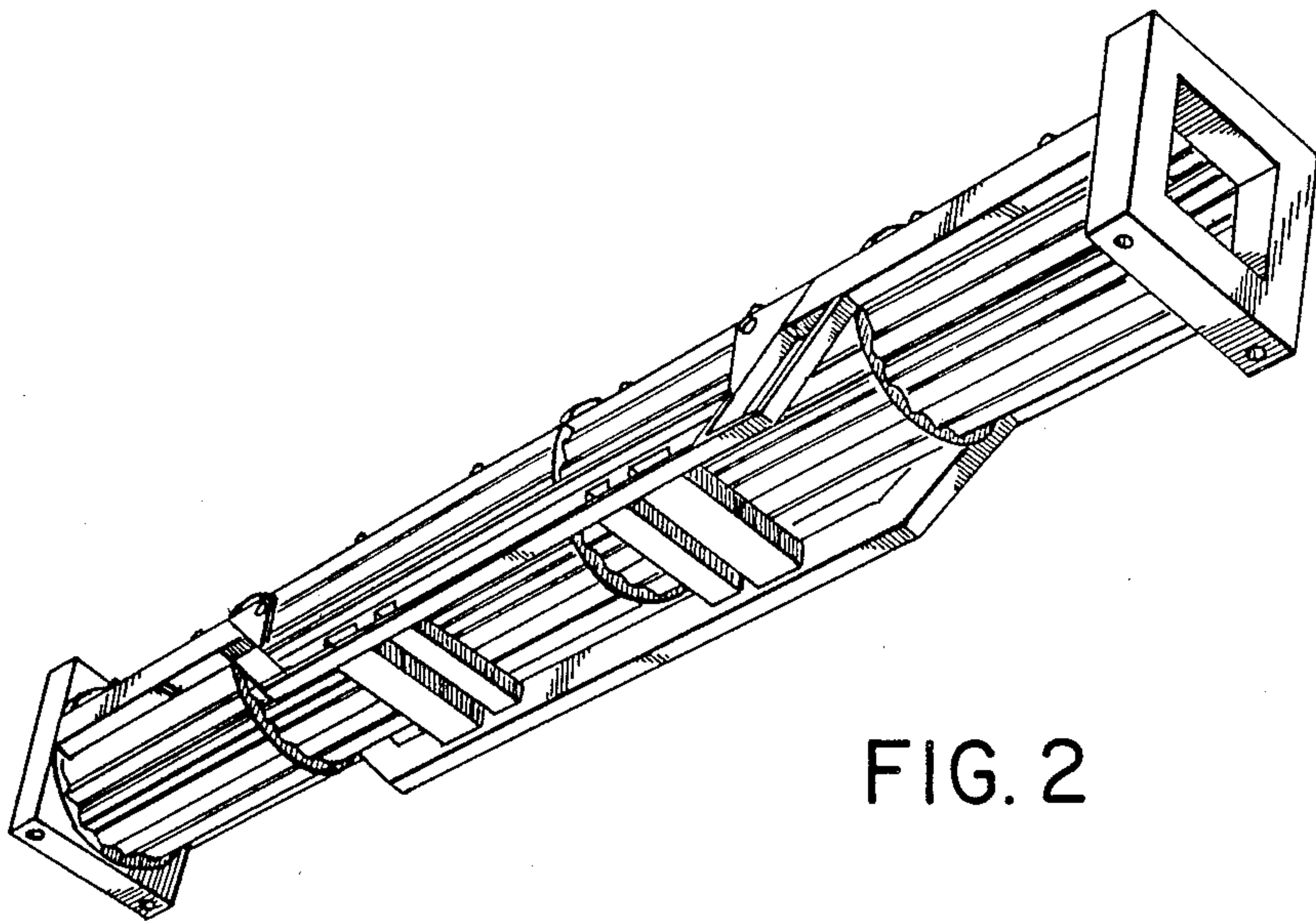


FIG. 2

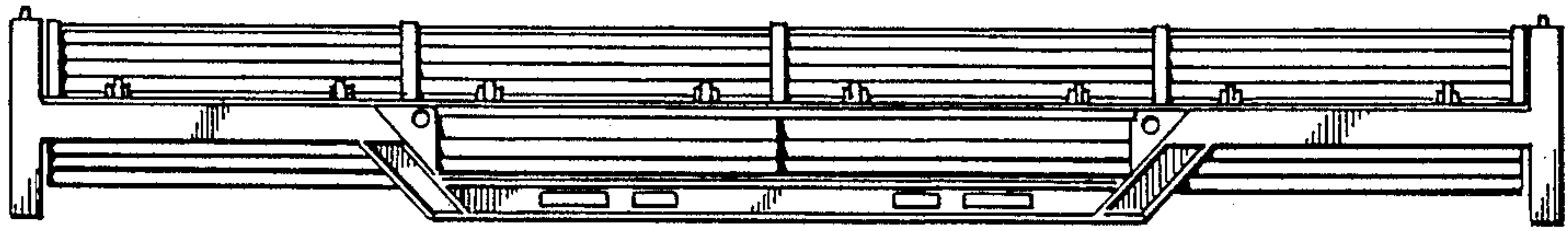


FIG. 3

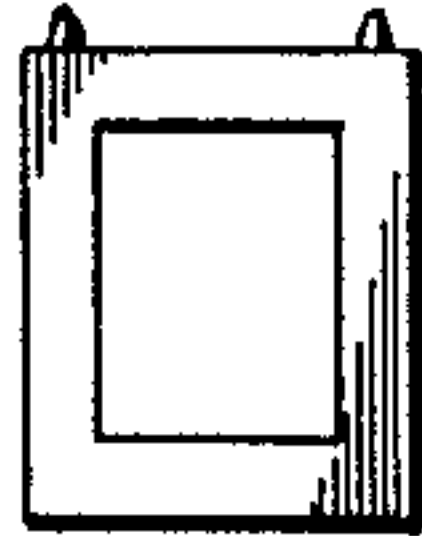


FIG. 4

UNITED STATES PATENT AND TRADEMARK OFFICE
CERTIFICATE OF CORRECTION

PATENT NO. : Des. 310,798

DATED : Sep. 25, 1990

INVENTOR(S) : Esbjörn Stake; Lennart Magnusson

It is certified that error appears in the above-identified patent and that said Letters Patent is hereby corrected as shown below:

On the cover page, line 75, the name of the first inventor has been corrected from Esbrörn Stake to --Esbjörn Stake--

Signed and Sealed this
Thirty-first Day of December, 1991

Attest:

Attesting Officer

HARRY F. MANBECK, JR.

Commissioner of Patents and Trademarks