

[54] CLOCK THERMOSTAT

[75] Inventor: N. Thomas Wolfe, Minnetonka, Minn.

[73] Assignee: Honeywell Inc., Minneapolis, Minn.

[**] Term: 14 Years

[21] Appl. No.: 54,167

[22] Filed: May 26, 1987

[52] U.S. Cl. D10/53

[58] Field of Search D10/50, 51, 52, 53, D10/60; 165/11, 12, 13, 14, 24, 25, 27; 236/46 R, 47; 337/112, 327, 360, 380, 381, 414

[56] References Cited

U.S. PATENT DOCUMENTS

- D. 248,455 7/1978 Cunnie D10/60
- D. 256,335 8/1980 Pasqualette .
- D. 256,336 8/1980 Odom .
- D. 268,252 3/1983 Chambers D10/60
- D. 270,815 10/1983 Odom D10/50
- D. 271,086 10/1983 Odom .
- D. 273,466 4/1984 Lawrence et al. D10/50
- D. 297,419 8/1988 Bonnema et al. D10/50

- D. 301,119 5/1989 Arnott D10/50
- 4,264,034 4/1981 Hyltin et al. 236/46 R
- 4,277,784 7/1981 Hyltin 236/47 X
- 4,319,711 3/1982 Barker et al. 236/46 X
- 4,557,317 12/1985 Harmon, Jr. 236/46 R X
- 4,621,336 11/1986 Brown 236/46 R X

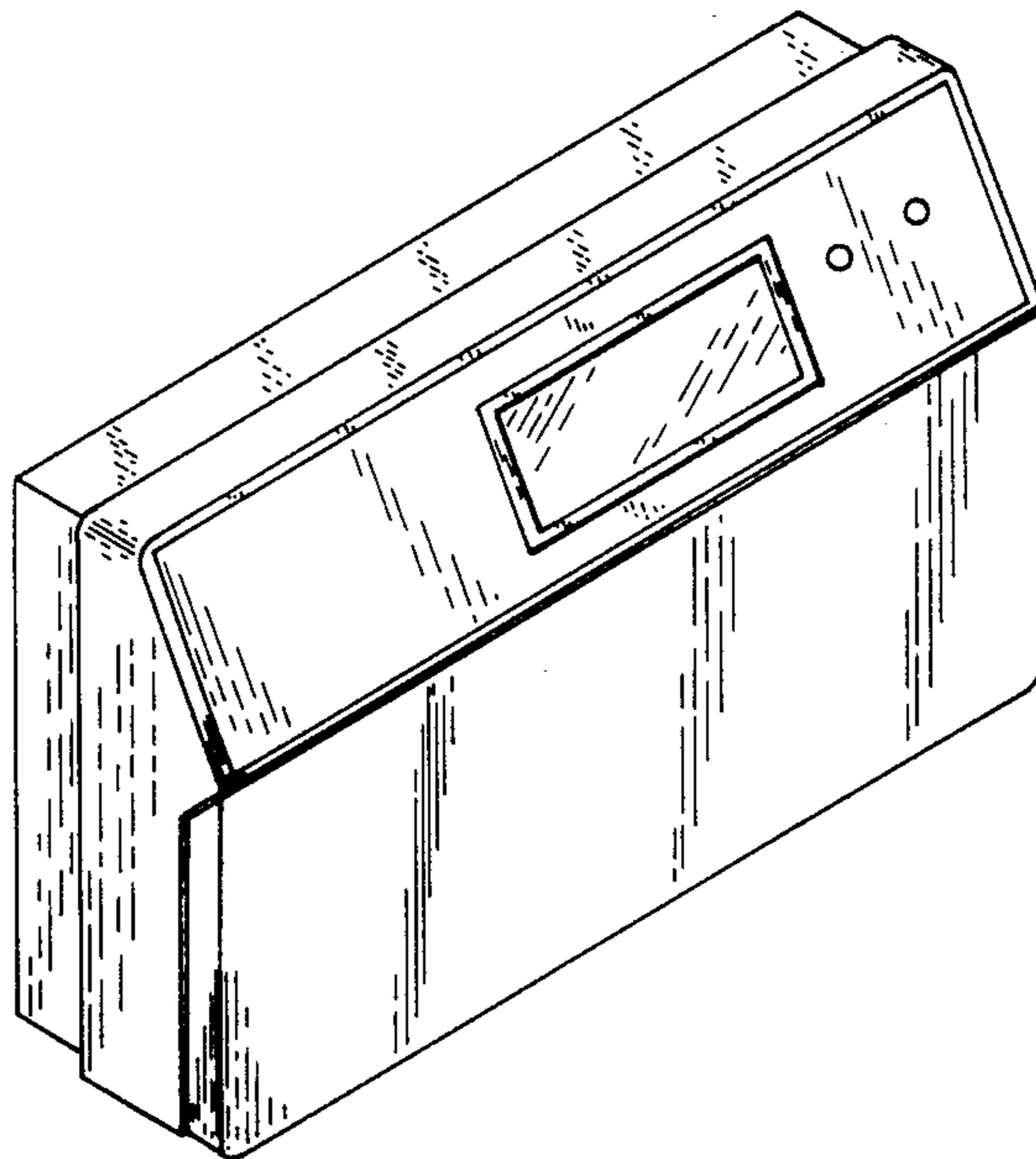
Primary Examiner—Nelson C. Holtje
Assistant Examiner—Antoine D. Davis
Attorney, Agent, or Firm—Clyde C. Blinn

[57] CLAIM

The ornamental design for a clock thermostat, as shown and described.

DESCRIPTION

FIG. 1 is a top, front, and left side perspective view of a clock thermostat showing my new design;
FIG. 2 is a front elevational view;
FIG. 3 is a right side elevational view;
FIG. 4 is a bottom plan view;
FIG. 5 is a front elevational view with the front cover in an open position;
FIG. 6 is a top plan view;
FIG. 7 is a bottom plan view of FIG. 5; and
FIG. 8 is a right side elevational view of FIG. 5.



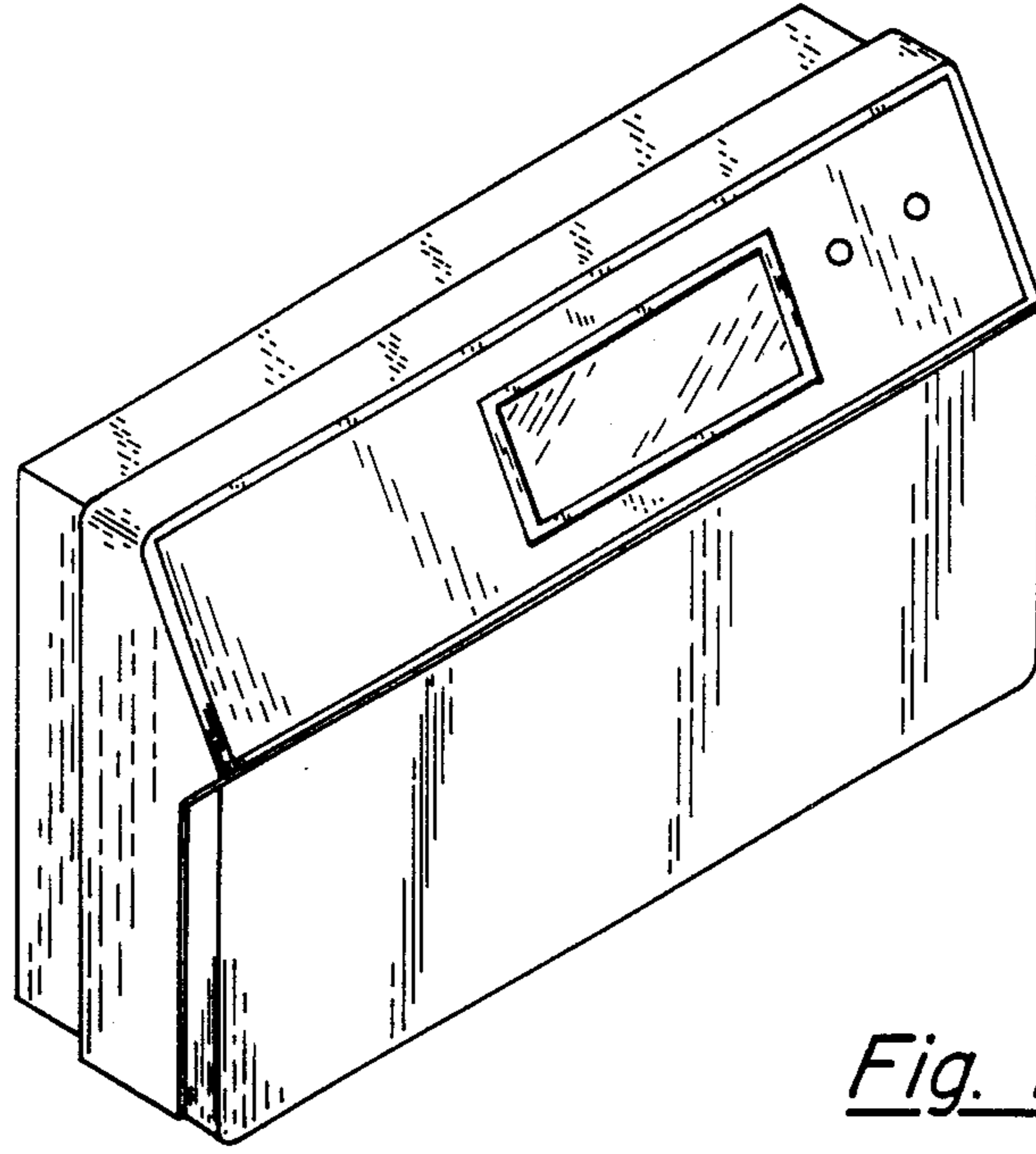


Fig. 1

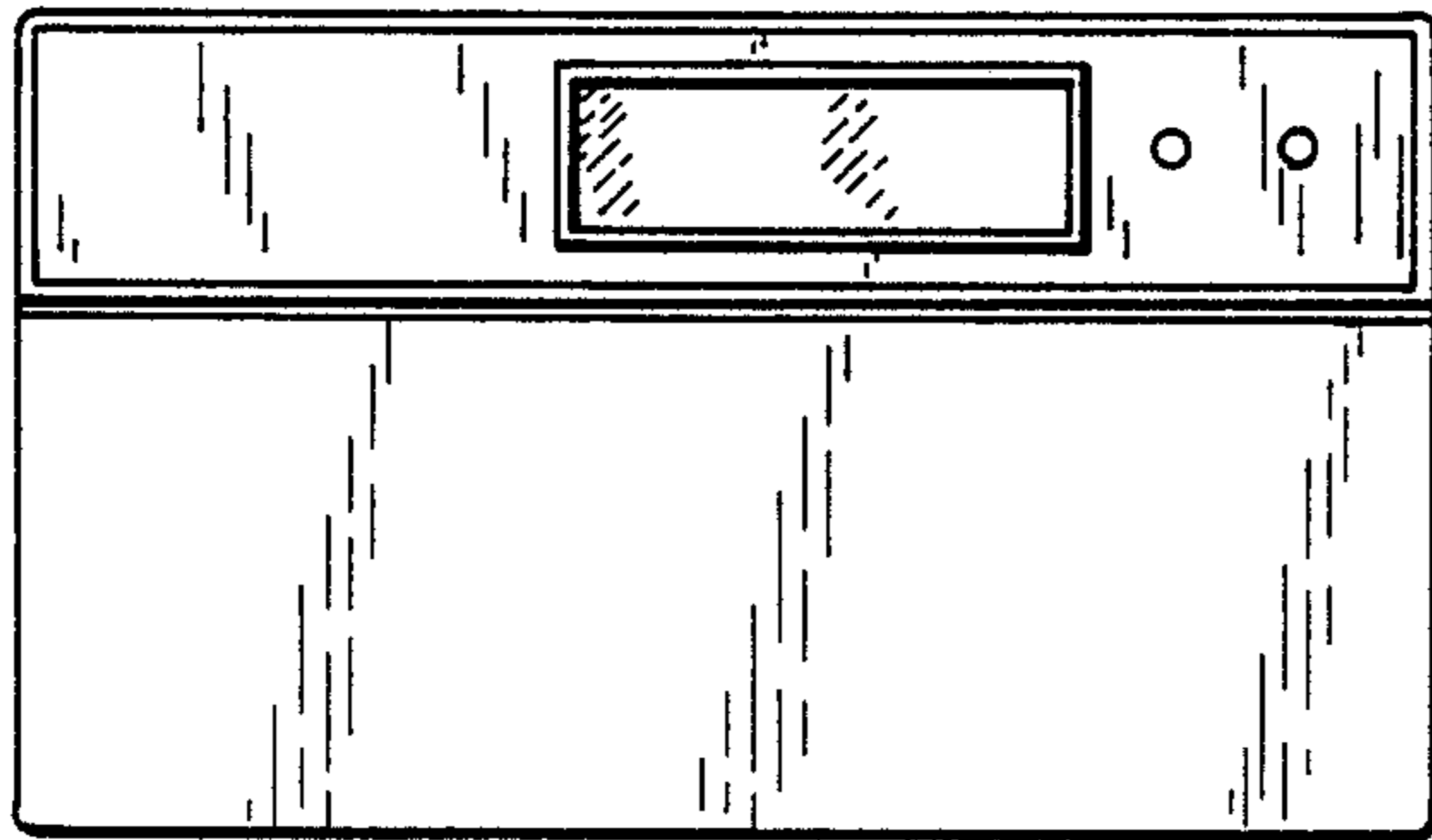


Fig. 2

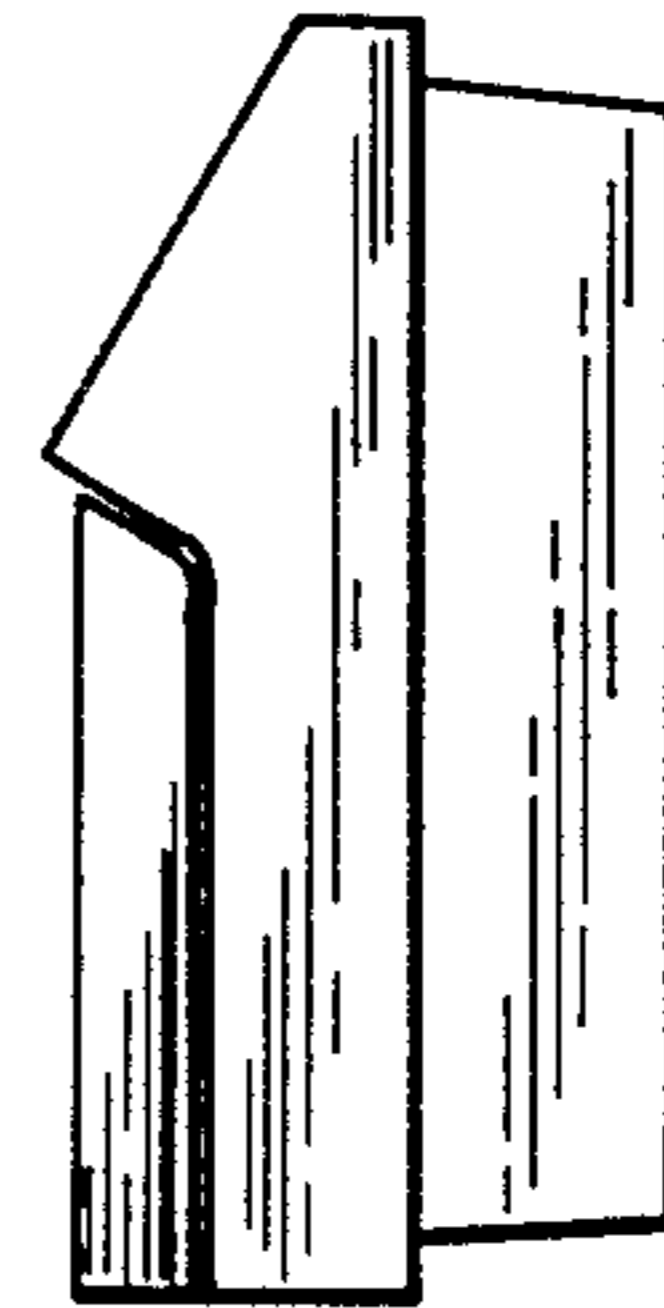


Fig. 3

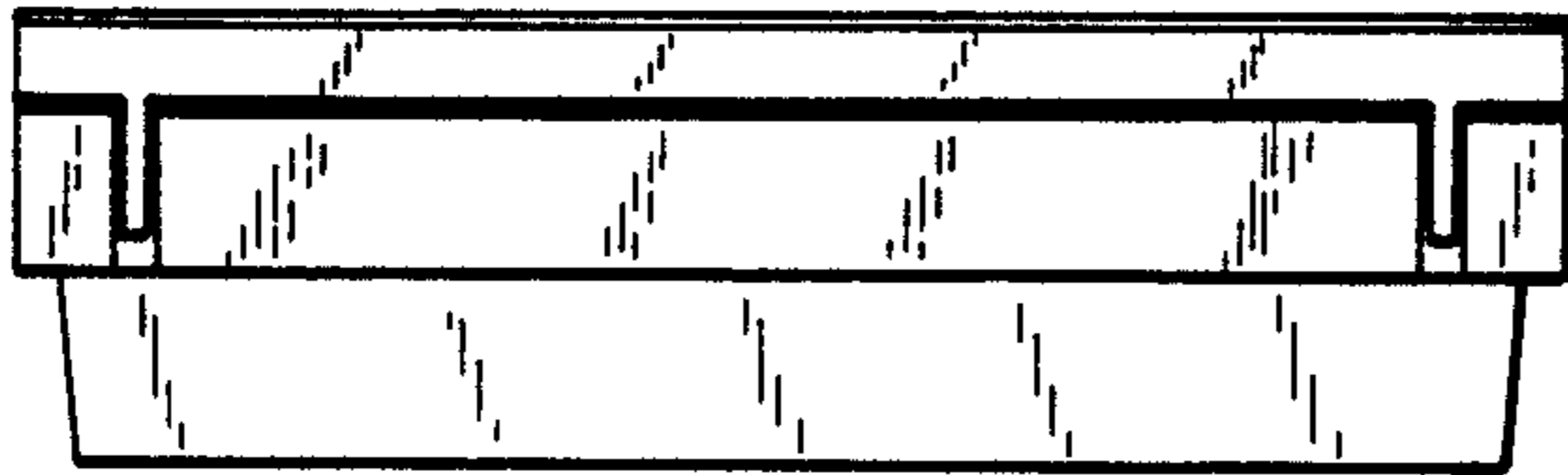


Fig. 4

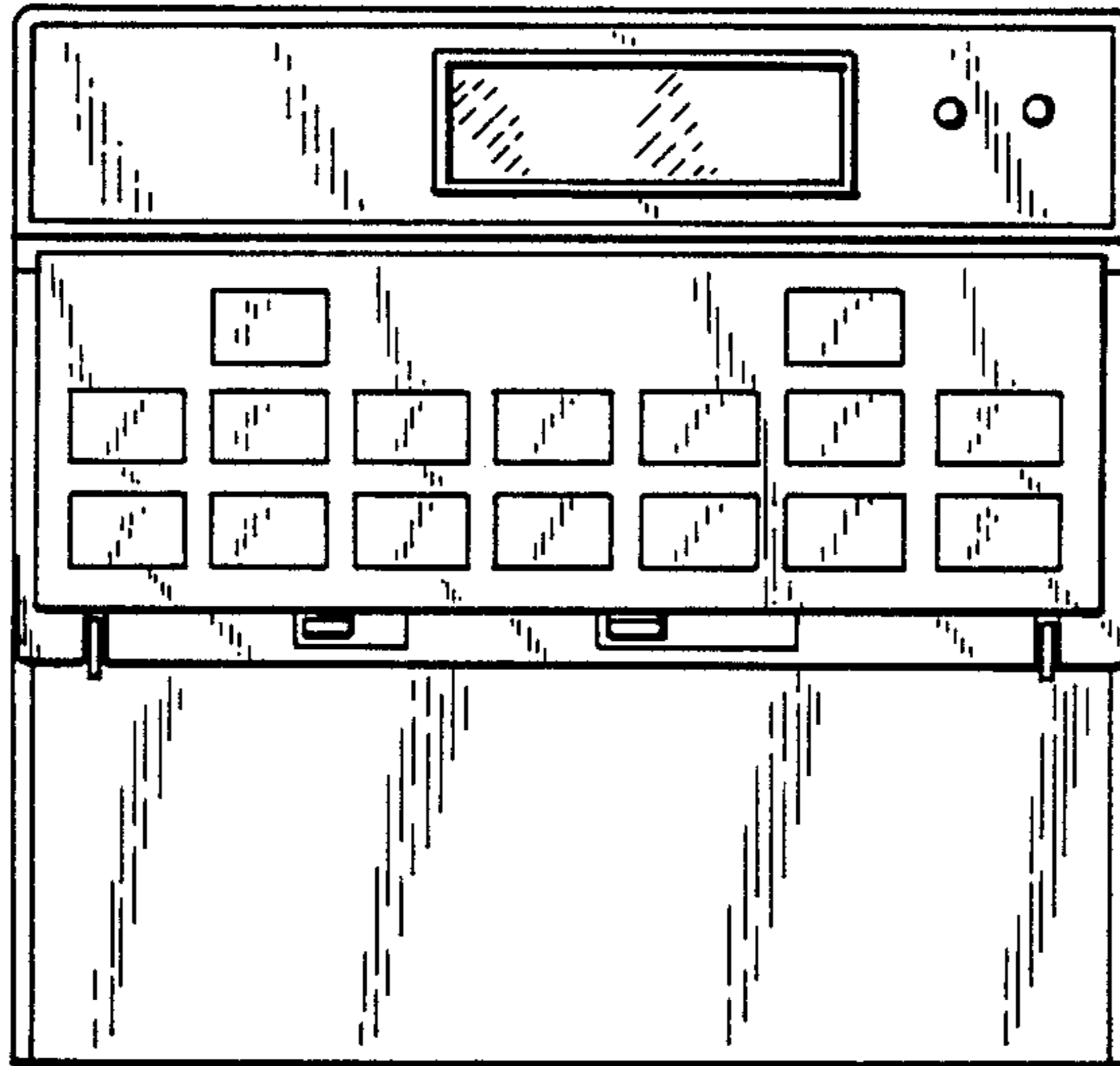


Fig. 5

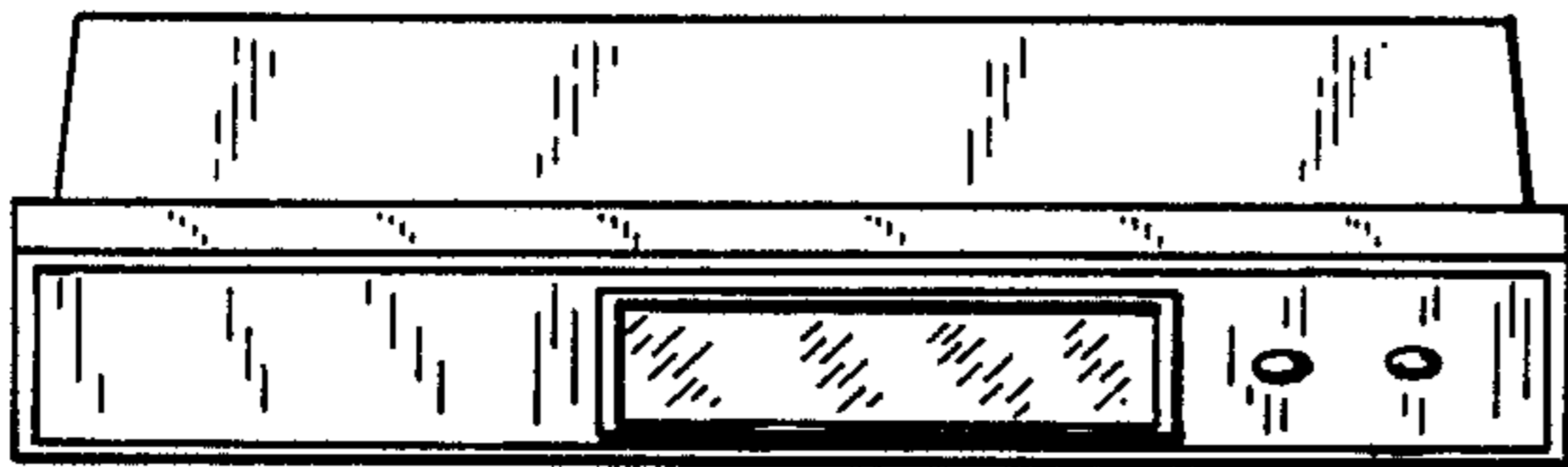


Fig. 6

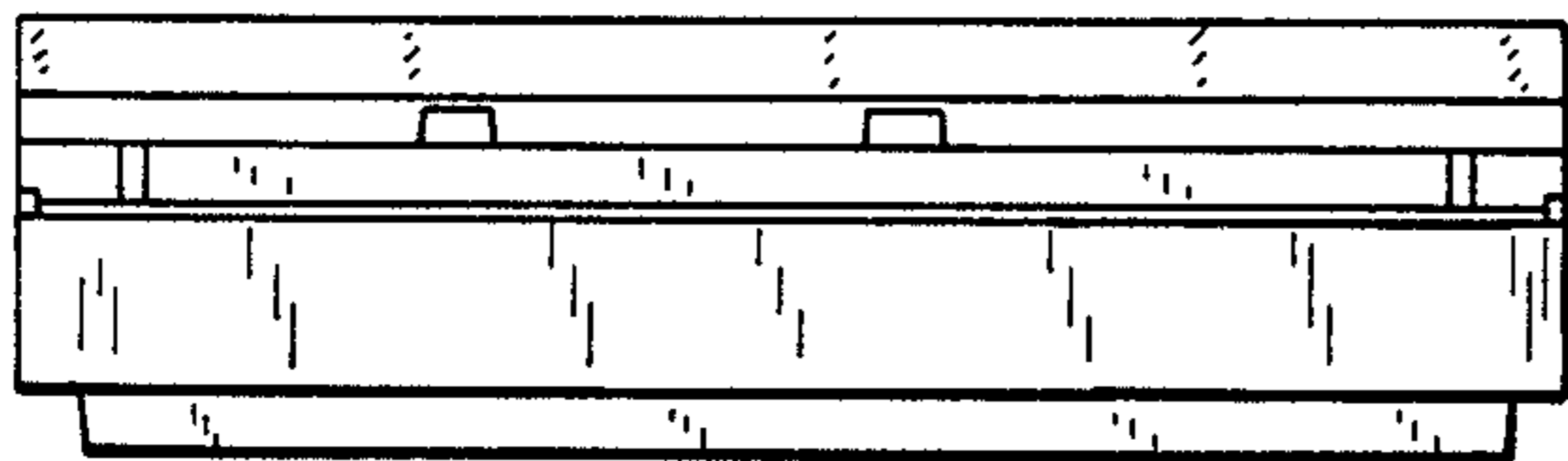


Fig. 7

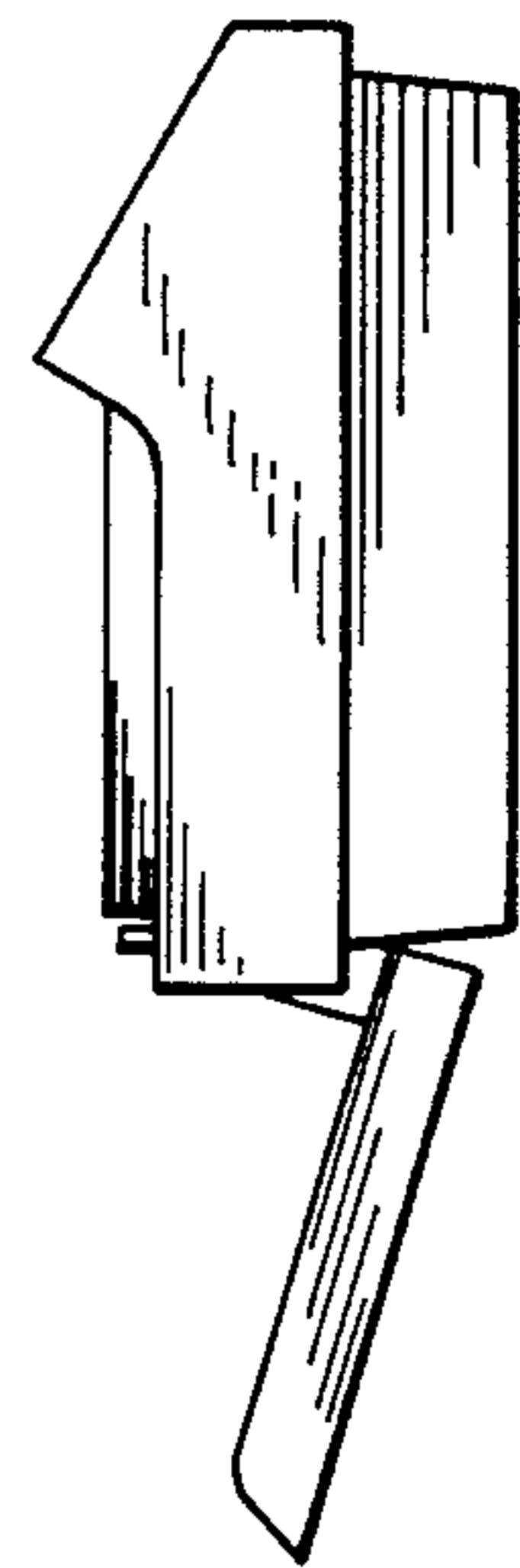


Fig. 8