

[54] COMBINED COMPASS AND THERMOMETER

[75] Inventor: Marlin D. Iden, Riverton, Wyo.

[73] Assignee: The Brunton Company, Riverton, Wyo.

[**] Term: 14 Years

[21] Appl. No.: 14,645

[22] Filed: Feb. 13, 1987

[52] U.S. Cl. D10/53

[58] Field of Search D10/46, 52, 53, 66, D10/68; D19/37, 38; D3/62; 33/272, 273, 354, 355 R, 364, 365; 200/302.2; 206/37.1, 305; 374/100, 142, 141, 156

[56] References Cited

U.S. PATENT DOCUMENTS

- D. 273,847 5/1984 Yusa D10/68
- D. 283,683 5/1986 Raitmaa D10/68

- D. 290,093 6/1987 Kramer et al. D10/68
- 1,571,697 2/1926 Bernegau 33/273
- 2,358,589 9/1944 Piffath 33/273
- 4,438,568 3/1984 Kramer et al. 33/355 R X

Primary Examiner—Nelson C. Holtje
Assistant Examiner—Antoine D. Davis
Attorney, Agent, or Firm—John E. Reilly

[57] CLAIM

The ornamental design for a combined compass and thermometer, as shown and described.

DESCRIPTION

FIG. 1 is a top, front and right side perspective view of a combined compass and thermometer showing my new design;

FIG. 2 is a top plan view;

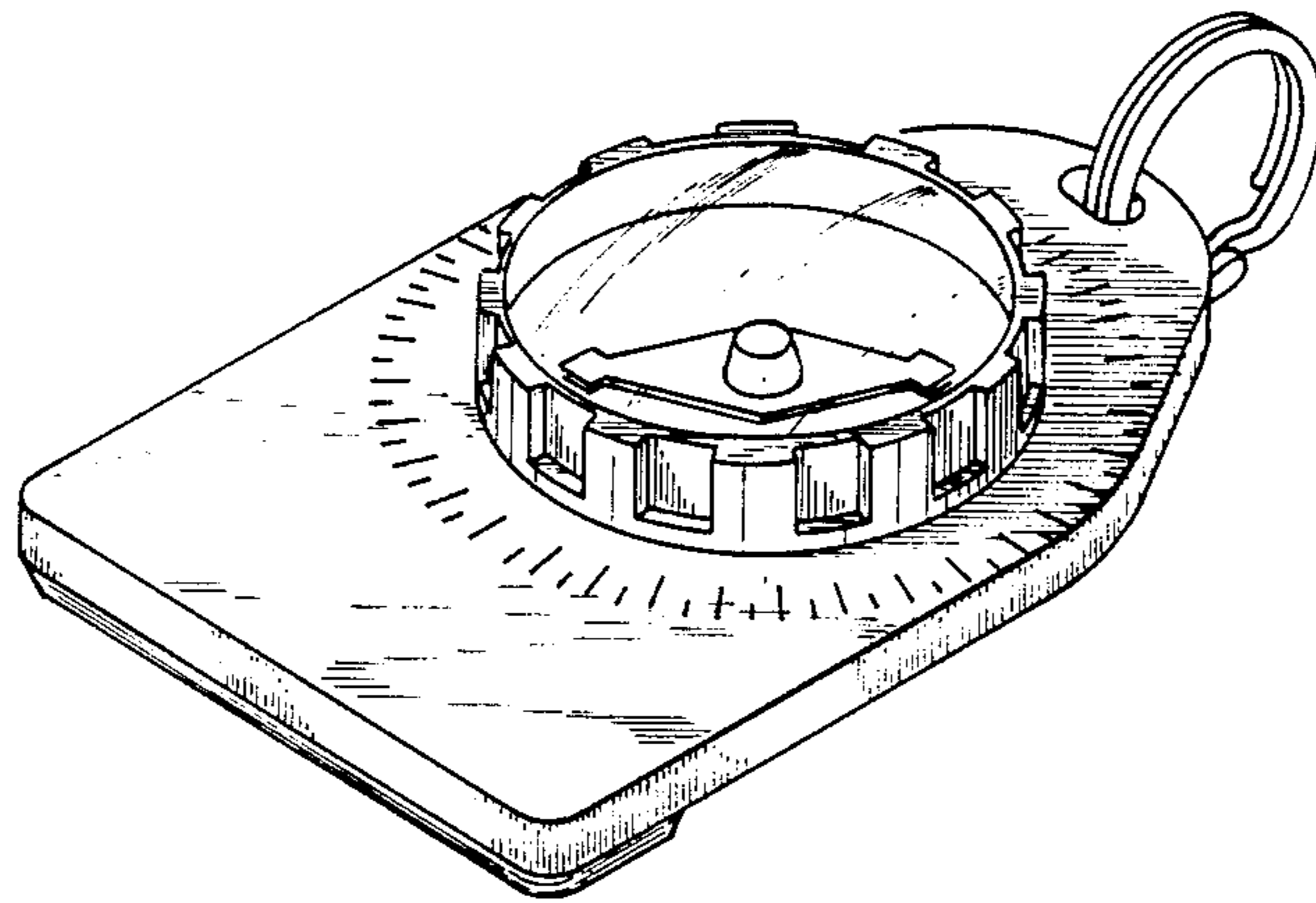
FIG. 3 is a bottom plan view;

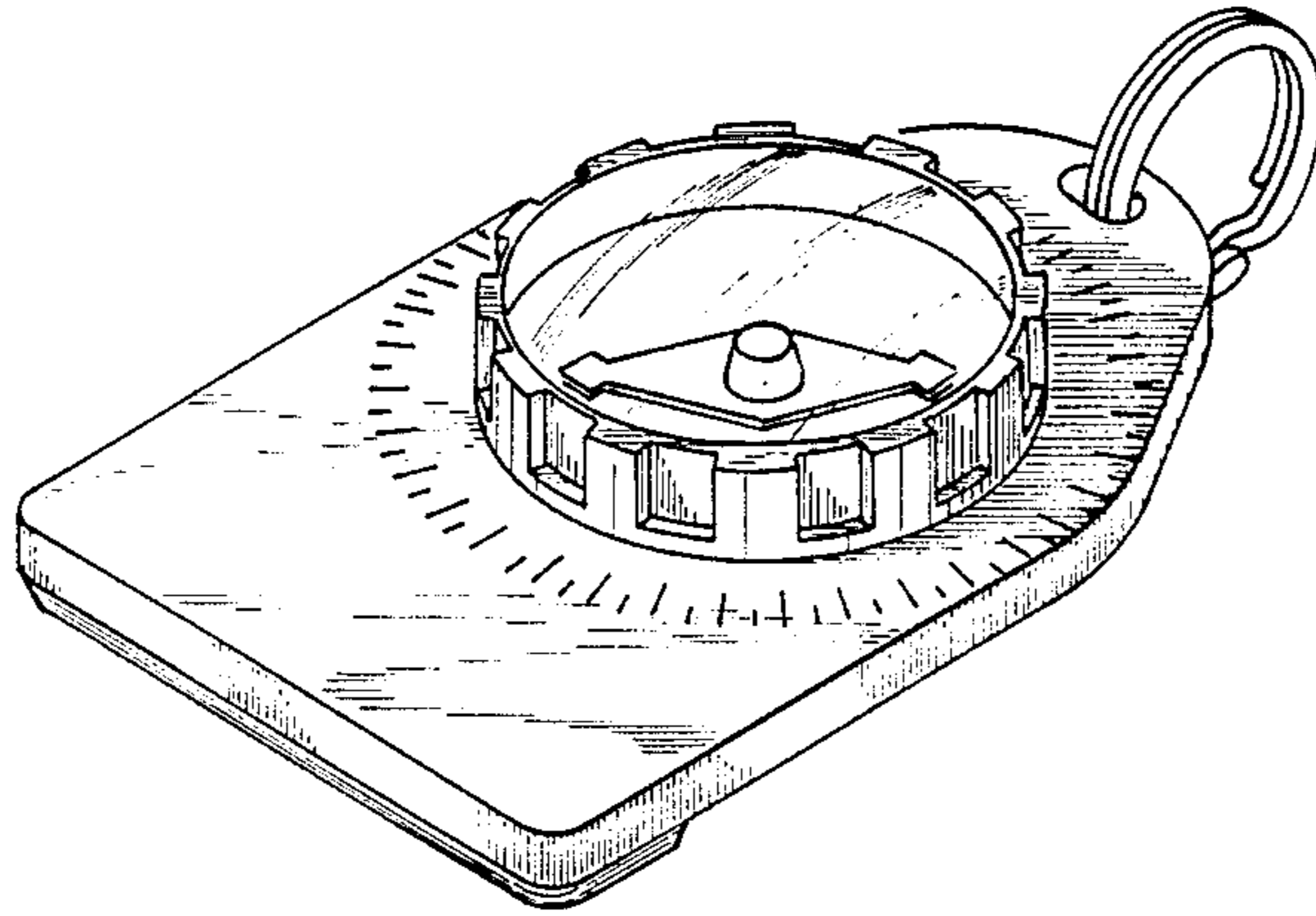
FIG. 4 is a right side elevational view;

FIG. 5 is a left side elevational view;

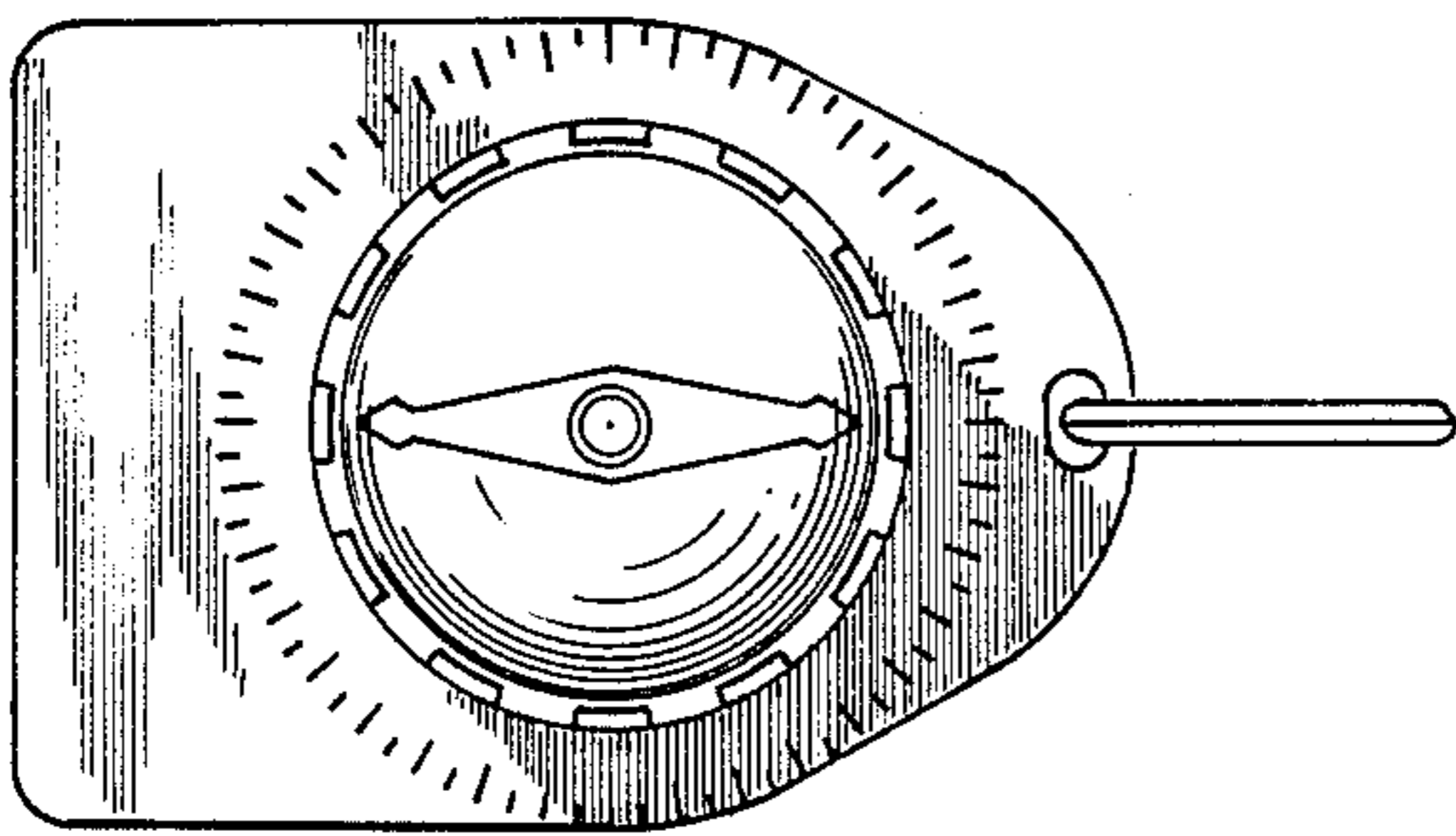
FIG. 6 is a rear elevational view; and

FIG. 7 is a front elevational view thereof.

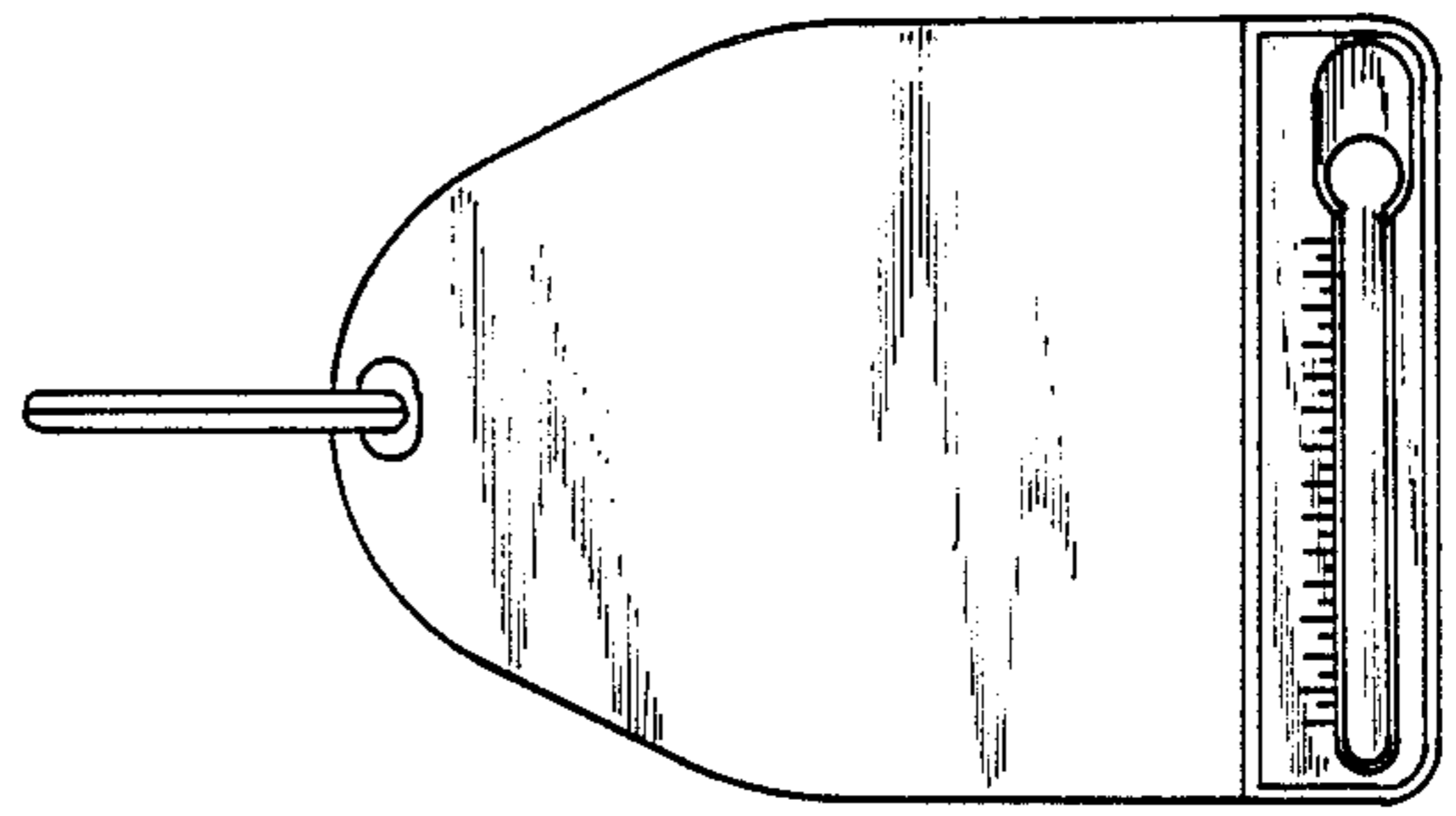




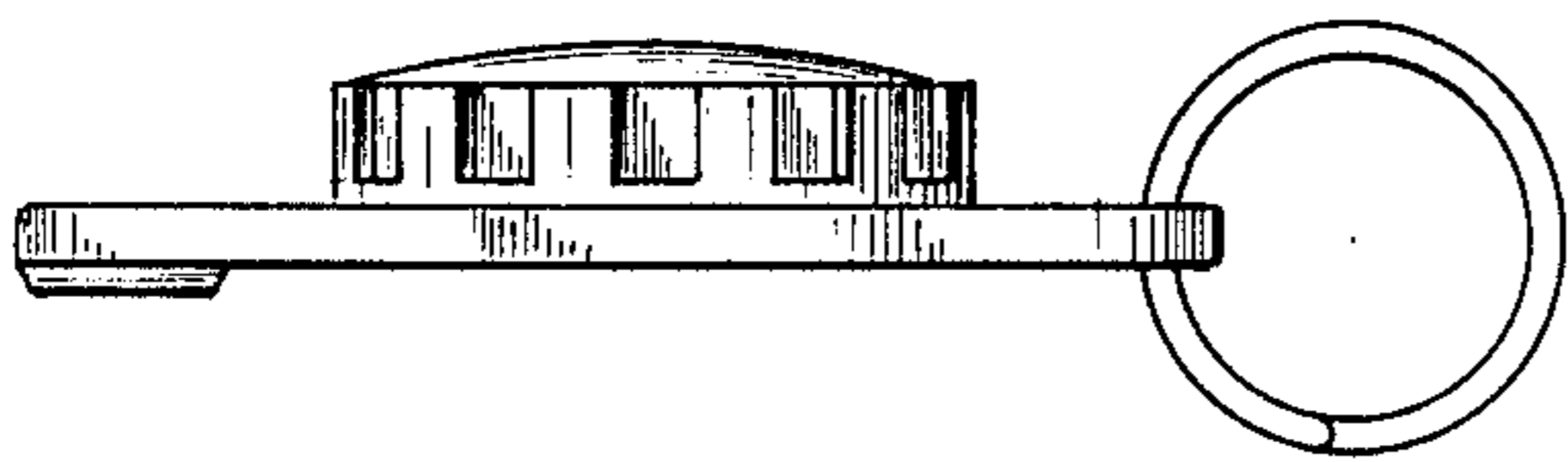
1



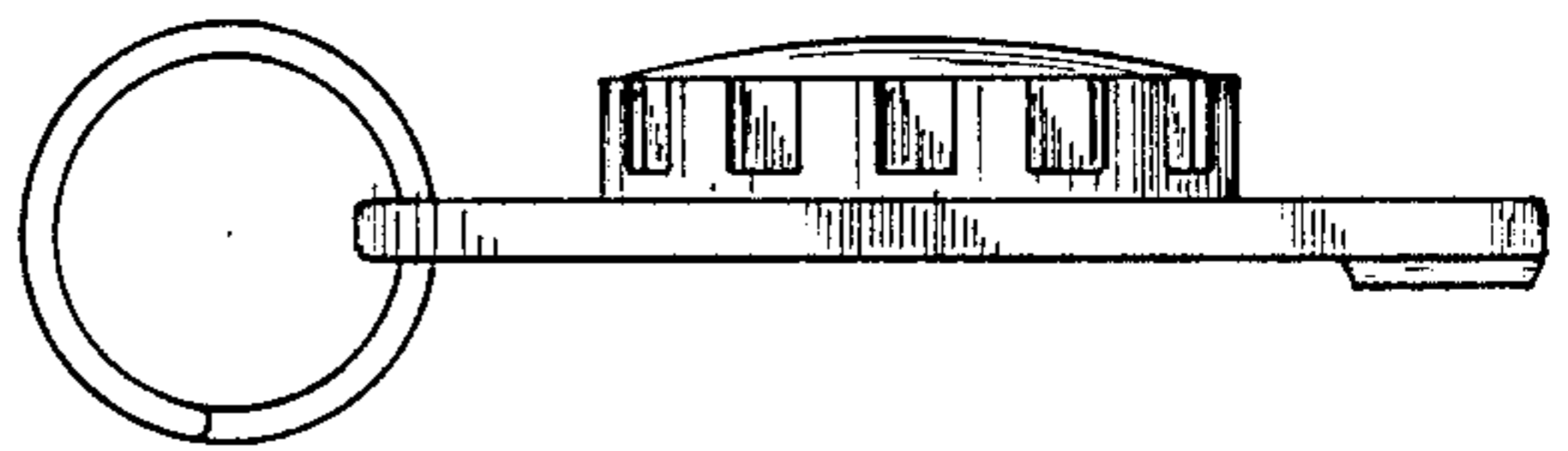
2



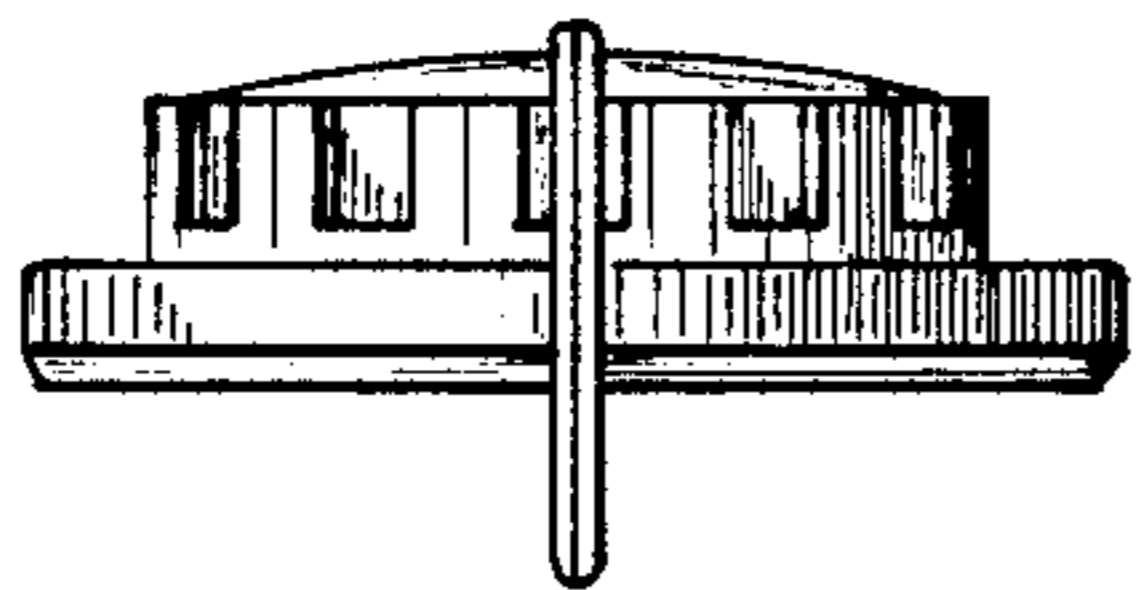
3



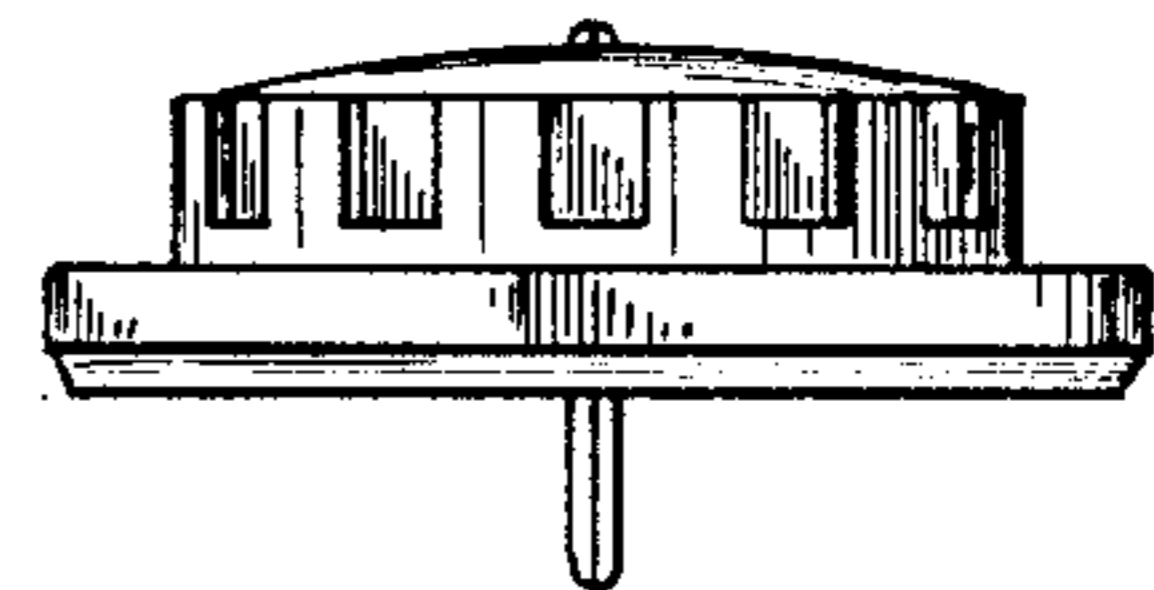
4



5



6



7