

[54] **TEAR STRIP CARTON**

[75] **Inventor: Hampton E. Forbes, Jr., Newark, Del.**

[73] **Assignee: Westvaco Corporation, New York, N.Y.**

[*] **Notice:** The portion of the term of this patent subsequent to Sep. 25, 2004 has been disclaimed.

[**] **Term: 14 Years**

[21] **Appl. No.: 46,629**

[22] **Filed: May 7, 1987**

[52] **U.S. Cl. D9/416**

[58] **Field of Search D9/416, 419, 423, 432, D9/435, 414, 346, 368, 438; 206/601, 604, 605, 608, 613, 620, 631, 633, 611, 607, 804; 229/145, 190, 905; D5/1, 3, 7, 53, 54, 56, 59, 60**

[56] **References Cited**

U.S. PATENT DOCUMENTS

D. 196,883 11/1963 Robinson D9/416

D. 212,684	11/1968	Roccaforte et al.	D9/416
D. 215,414	9/1969	Roccaforte et al.	D9/416
D. 293,211	12/1987	DePaul et al.	D9/416
2,534,543	7/1944	Ratcliff	206/611 X
3,206,103	9/1965	Bixler	D9/416 X
3,265,285	8/1966	Fanter	206/611
3,454,212	7/1969	Elward	206/626
3,506,184	4/1970	Barnes	229/190 X
3,758,023	9/1973	Meyers	206/611
3,833,165	9/1974	Hoiles	229/190 X

OTHER PUBLICATIONS

Pattern Design Publication, 1903, p. 226, Pattern No. 259, Wave Pattern.

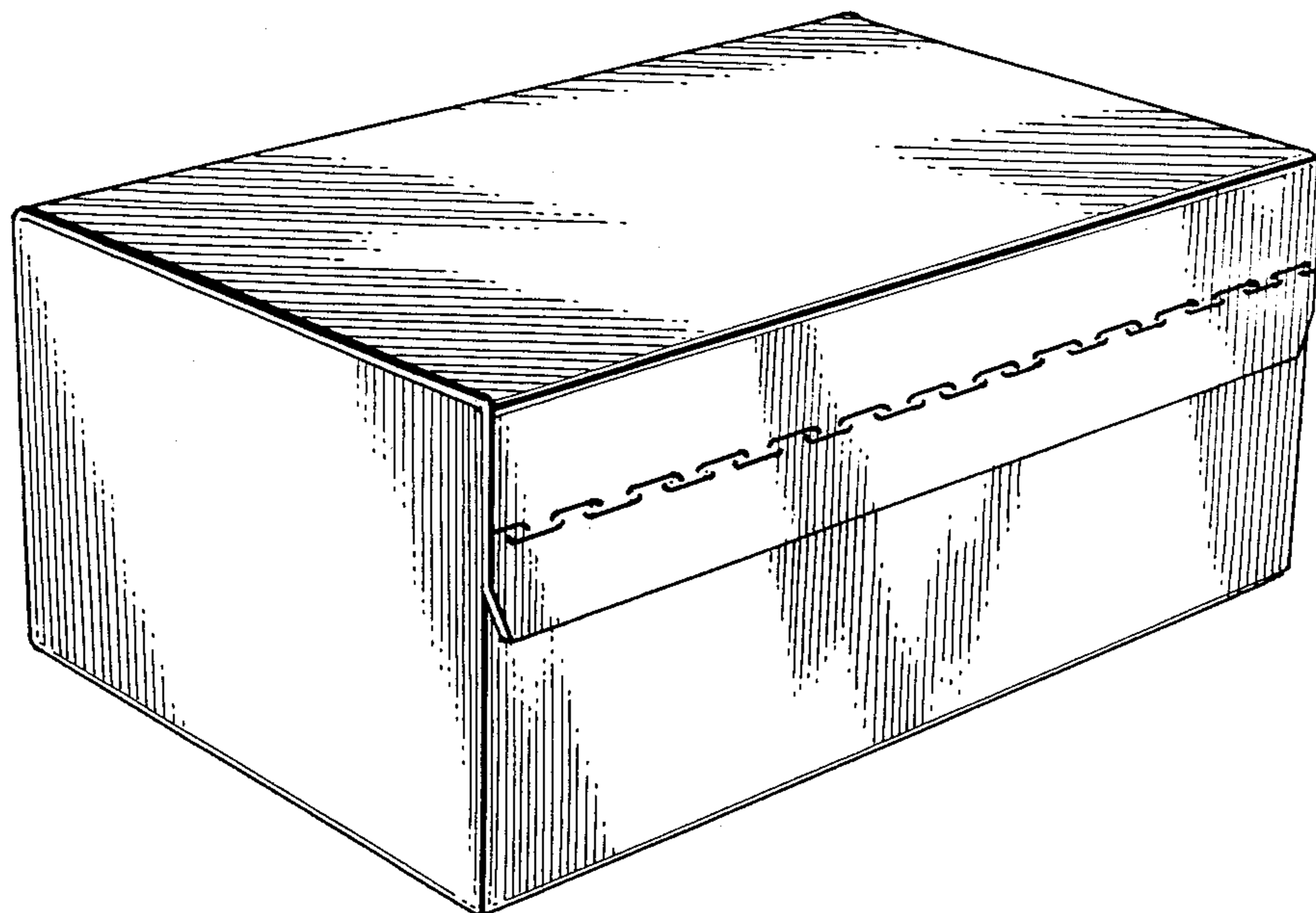
Primary Examiner—Bernard Ansher
Assistant Examiner—Prabhakar Deshmukh

[57] **CLAIM**

The ornamental design for a tear strip carton, as shown and described.

DESCRIPTION

The single FIGURE is a front perspective view of a tear strip carton showing my new design.



U.S. Patent

Sep. 25, 1990

D310,785

