

[54] **TEAR STRIP CARTON**

[75] Inventor: **Hampton E. Forbes, Jr.**, Newark, Del.

[73] Assignee: **Westvaco Corporation**, New York, N.Y.

[ \* ] Notice: The portion of the term of this patent subsequent to Sep. 25, 2004 has been disclaimed.

[\*\*] Term: **14 Years**

[21] Appl. No.: **46,628**

[22] Filed: **May 7, 1987**

[52] U.S. Cl. .... **D9/416**

[58] Field of Search ..... D9/416, 419, 423, 432, D9/433, 414, 346, 368, 438; 206/601, 604, 605, 608, 613, 620, 631, 633, 611, 607, 806; 229/145, 190, 905; D5/1, 3, 7, 53, 54, 56, 59, 60

3,265,285 8/1966 Fanter ..... 206/611  
 3,454,212 7/1969 Elward ..... 206/626  
 3,506,184 4/1970 Barnes ..... 229/190 X  
 3,758,023 9/1973 Meyers ..... 206/611  
 3,833,165 9/1974 Hoiles ..... 229/190 X

**OTHER PUBLICATIONS**

Pattern Design Publication, 1963, p. 226, Pattern No. 259, Wave Pattern.  
 The single FIGURE is a front perspective view of a tear strip carton showing my new design.

*Primary Examiner*—Bernard Ansher  
*Assistant Examiner*—Prabhakar Deshmukh

[57] **CLAIM**

The ornamental design for a tear strip carton, as shown and described.

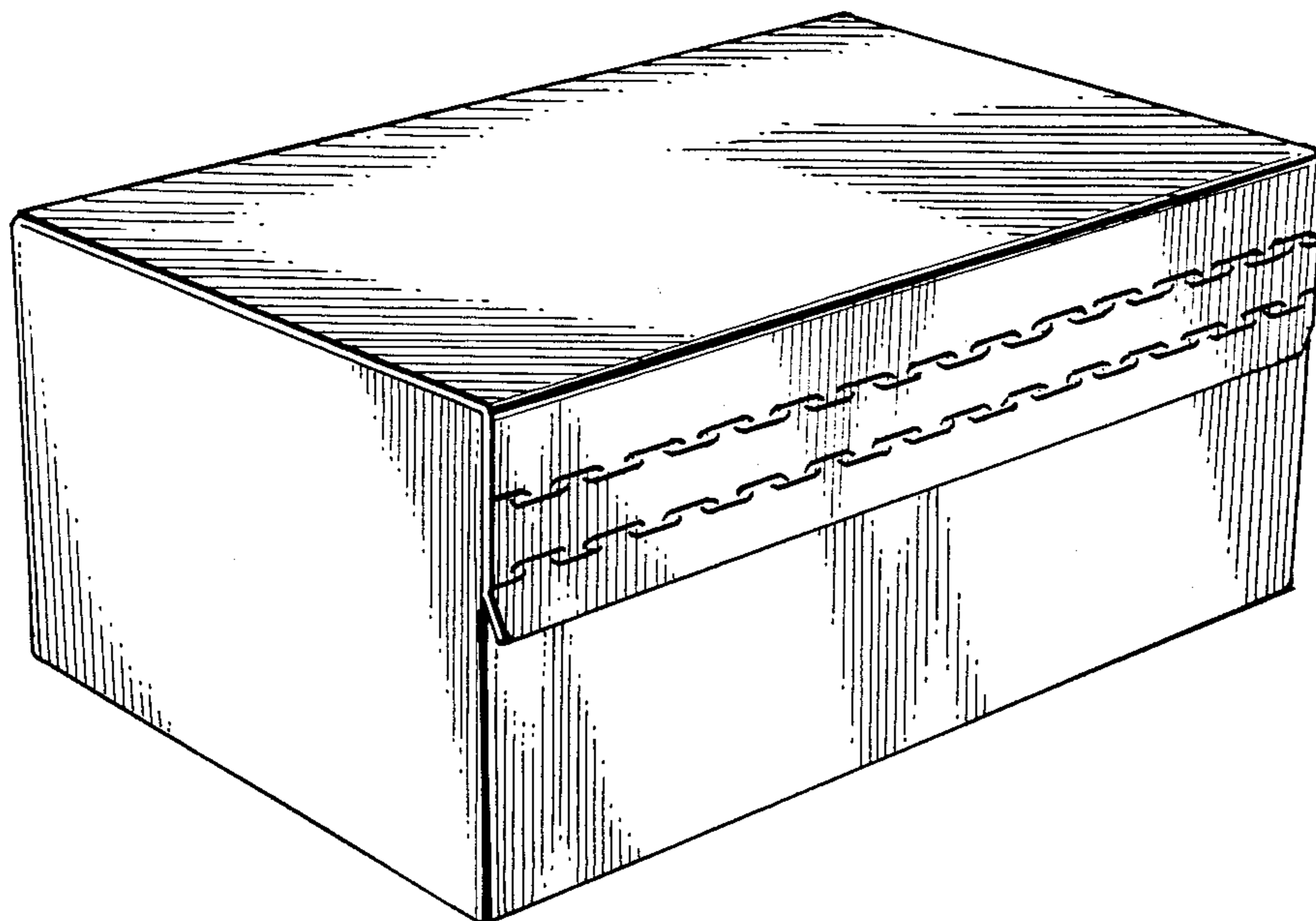
**DESCRIPTION**

FIG. 1 is a perspective view of a bottle showing my new design;  
 FIG. 2 is a top plan view thereof drawn to a scale enlarged from that of FIG. 1;  
 FIG. 3 is a side elevational view thereof, the opposite side being the same in appearance;  
 FIG. 4 is a front elevational view thereof, the rear elevational view being the same in appearance; and  
 FIG. 5 is a bottom plan view thereof.

[56] **References Cited**

**U.S. PATENT DOCUMENTS**

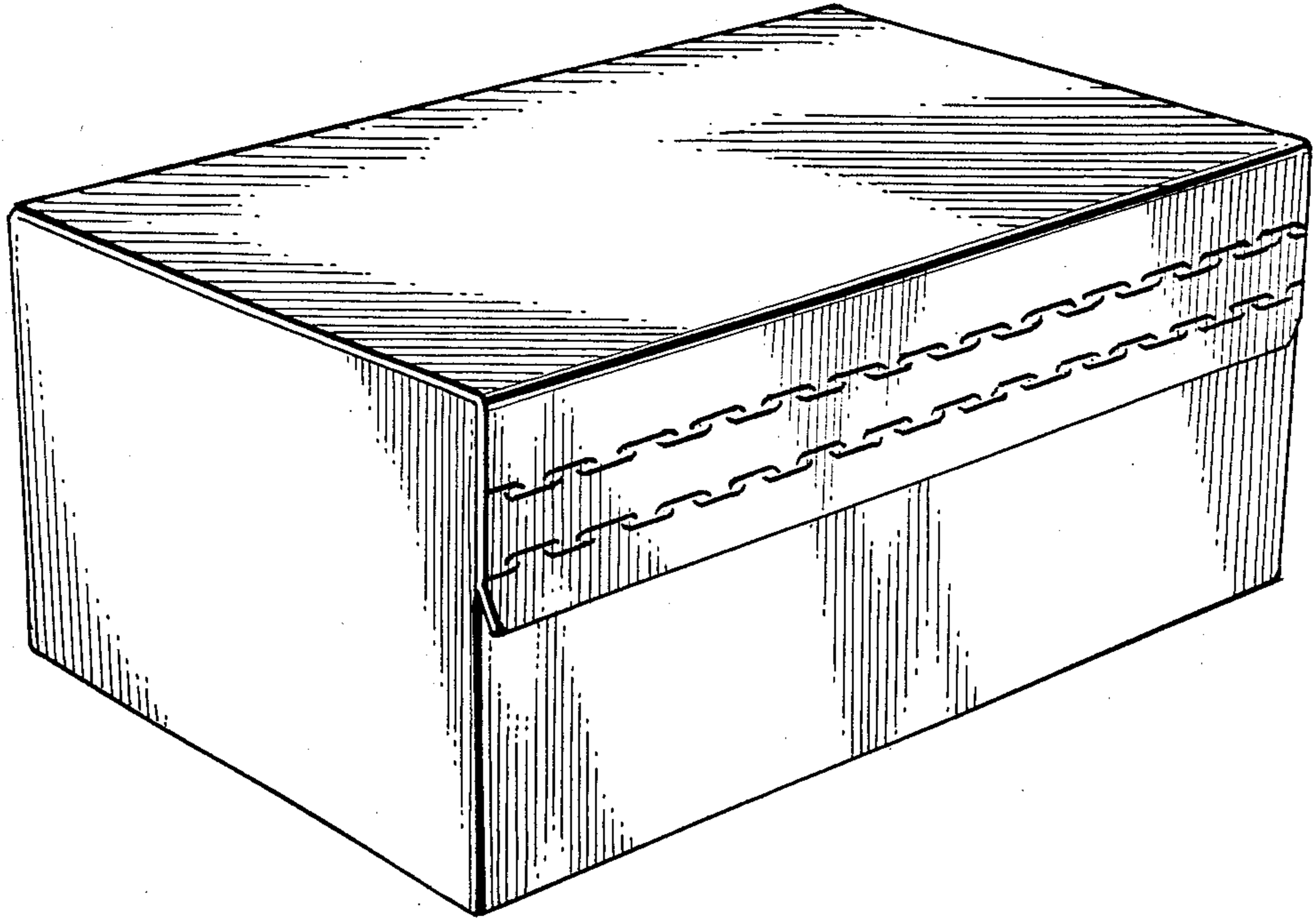
D. 196,883 11/1963 Robinson ..... D9/416  
 D. 212,684 11/1968 Roccaforte et al. .... D9/416  
 D. 215,414 9/1969 Roccaforte et al. .... D9/416  
 D. 293,211 12/1987 DePaul et al. .... D9/416  
 2,534,543 7/1944 Ratcliff ..... 206/611 X  
 3,206,103 9/1965 Bixler ..... D9/416 X



U.S. Patent

Sep. 25, 1990

D310,784



**UNITED STATES PATENT AND TRADEMARK OFFICE  
CERTIFICATE OF CORRECTION**

**PATENT NO.** : DES. 310,784  
**DATED** : September 25, 1990  
**INVENTOR(S)** : Hampton E. Forbes, Jr.

**It is certified that error appears in the above-identified patent and that said Letters Patent is hereby corrected as shown below:**

On title page, under heading OTHER PUBLICATIONS, please cancel  
"The single FIGURE is a front perspective view of a tear  
strip carton showing my new design."

On title page, under heading DESCRIPTION, please cancel beginning,  
"FIG. 1 is a perspective view of a bottle showing my new design;"  
to and including, "FIG. 5 is a bottom plan view thereof.", and  
substitute therefor:

--The single FIGURE is a front perspective view of a tear  
strip carton showing my new design.--

**Signed and Sealed this  
Sixteenth Day of February, 1993**

*Attest:*

STEPHEN G. KUNIN

*Attesting Officer*

*Acting Commissioner of Patents and Trademarks*