

[54] FENCE POST CLIP  
[76] Inventors: Donald W. Kelley, 6205 Glenmoor, Garland, Tex. 75043; Arthur L. Snell, 16650 Jones Maltzburger, San Antonio, Tex. 78247

645,037	3/1900	Kilmer et al. ....	256/54
984,484	2/1911	Kordzikowski .....	256/54
1,206,812	12/1916	Callaway .....	174/158 F
2,805,277	9/1957	Moeller .....	174/158 F
3,531,090	9/1970	Laible .....	256/10
3,684,247	8/1972	Oltmanns .....	174/158 F
3,901,480	8/1975	Basile et al. ....	256/32

[\*\*] Term: 14 Years

Primary Examiner—B. J. Bullock  
Attorney, Agent, or Firm—Donald W. Erickson

[21] Appl. No.: 200,195

[22] Filed: May 31, 1988

[57] CLAIM

[52] U.S. Cl. .... D8/382; D8/356; D8/396

The ornamental design for a fence post clip, as shown and described.

[58] Field of Search ..... D8/382, 394-396, D8/356; 52/721; 24/563; 256/2, 10, 19, 21, 32, 47, 48, 54, DIG. 3; 174/158 F, 161 F

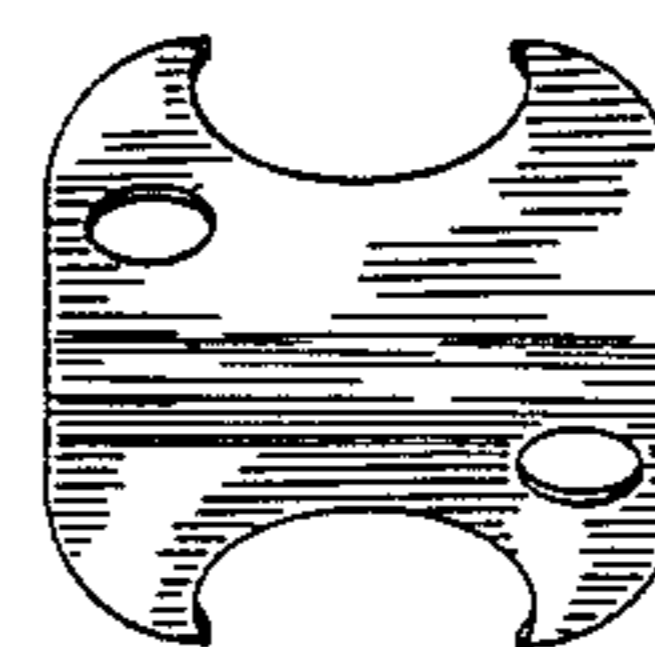
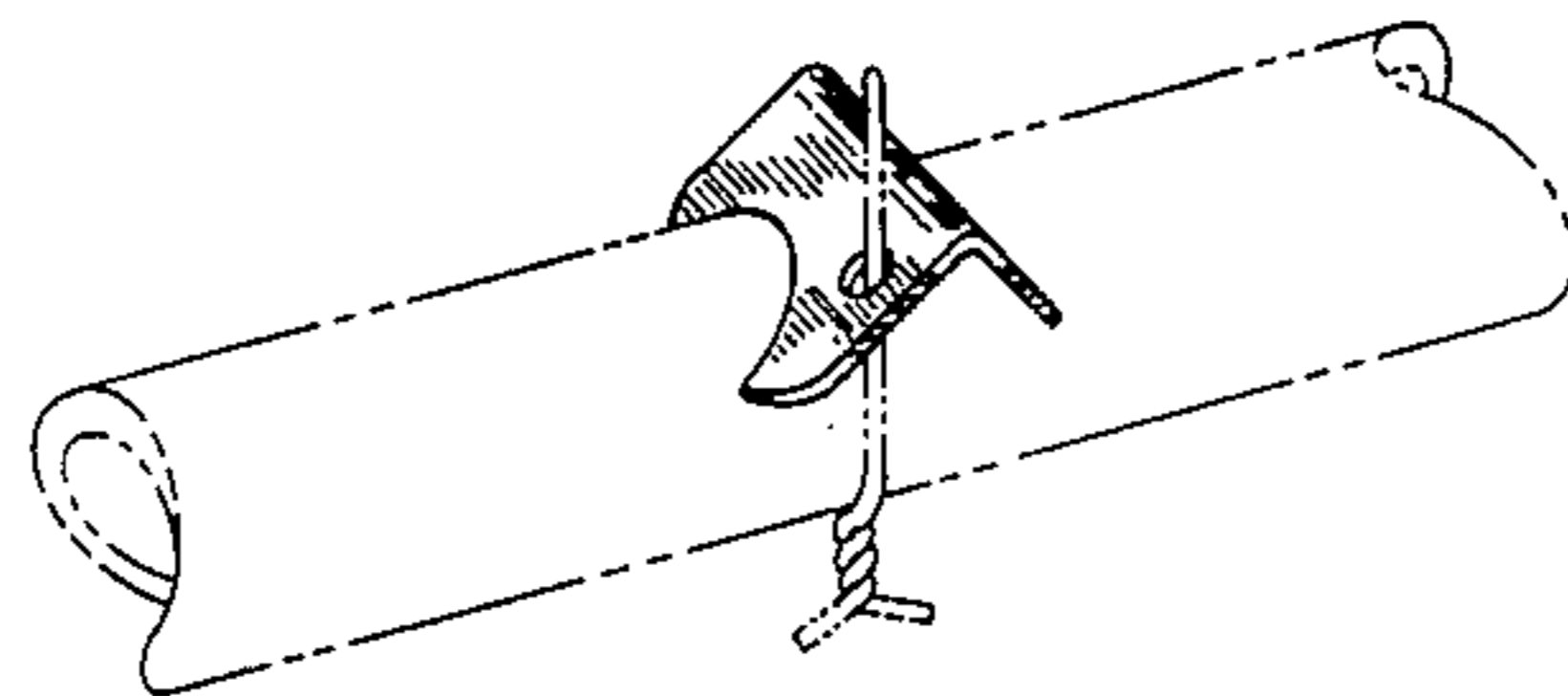
DESCRIPTION

FIG. 1 is a perspective view of a fence post clip showing our new design, the fence post and wire being shown in broken lines for illustrative purposes only; FIG. 2 is an enlarged side view thereof; and FIG. 3 is an enlarged top view thereof, the bottom being unornamented.

[56] References Cited

U.S. PATENT DOCUMENTS

536,488 3/1895 Suter ..... 256/54



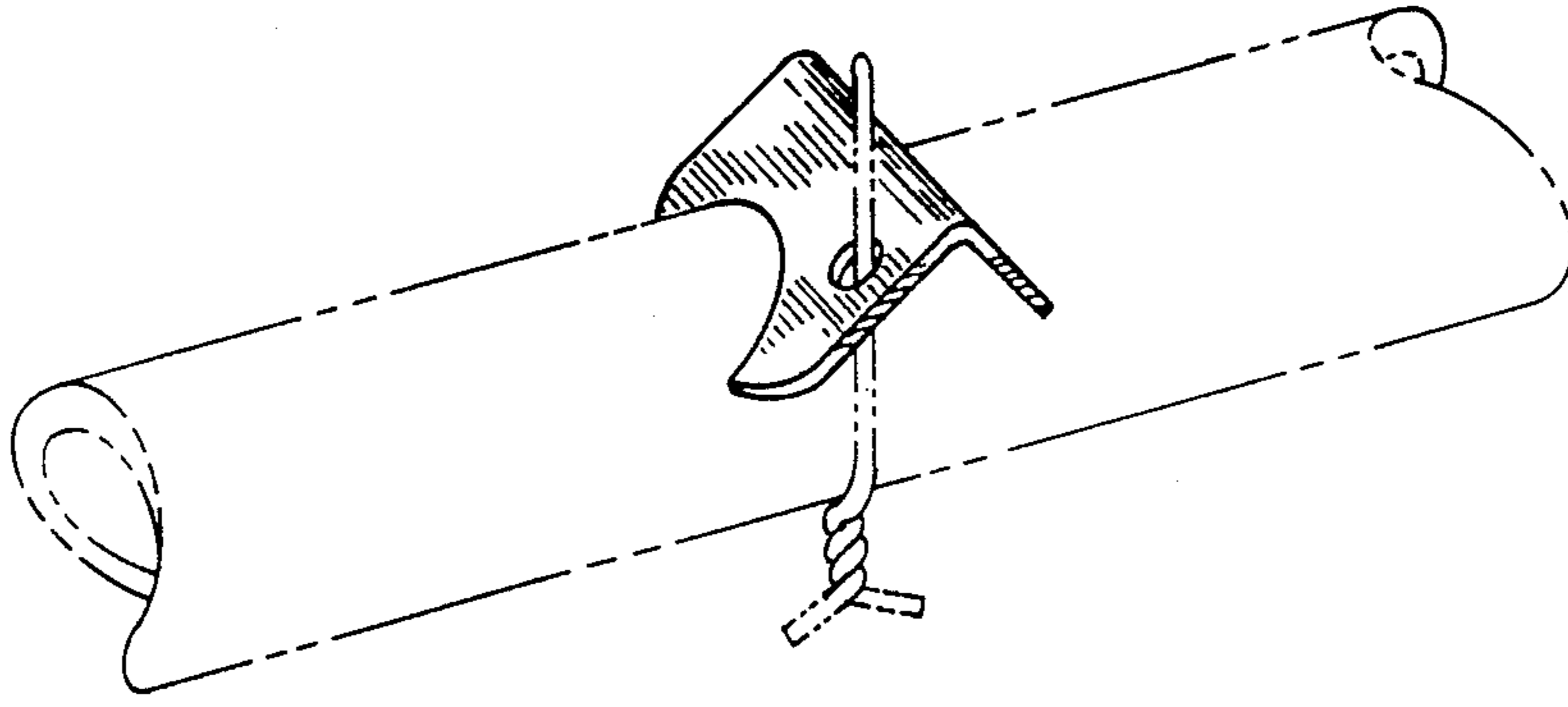


FIG. 1

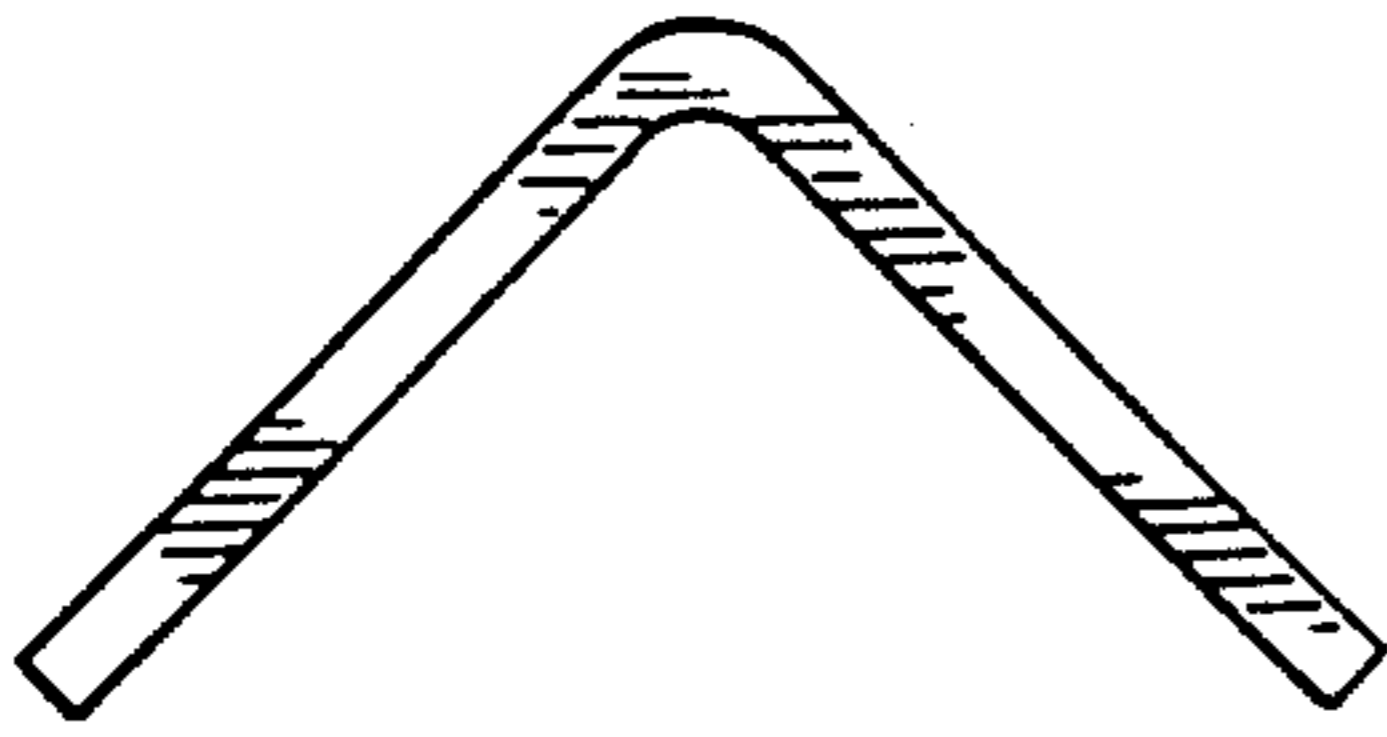


FIG. 2

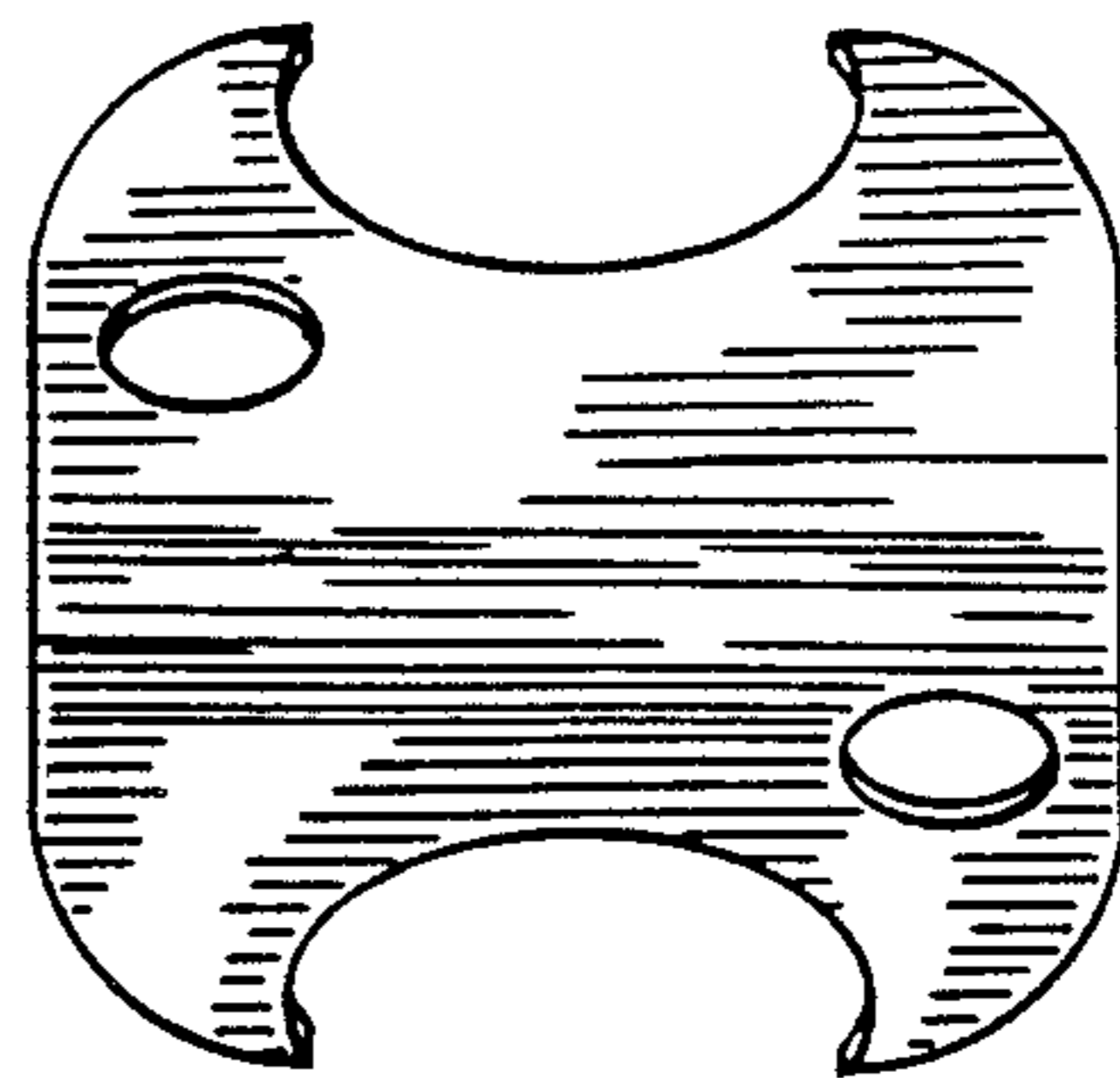


FIG. 3