

[54] **BOTTLE OR SIMILAR ARTICLE**

- [75] Inventor: **Nicholas Williamson, Burlington, Canada**
- [73] Assignee: **Debus, Inc., South Bend, Ind.**
- [**] Term: **14 Years**
- [21] Appl. No.: **21,024**
- [22] Filed: **Mar. 3, 1987**
- [52] U.S. Cl. **D9/367; D9/409**
- [58] Field of Search **D9/367, 370, 403-413; 215/1 R, 1 C; D6/542, 545; D23/225; 222/180, 181, 185, 165, 325; D18/43**

[56] **References Cited**

U.S. PATENT DOCUMENTS

- D. 120,847 5/1940 Ireys D9/408
- D. 269,948 8/1983 Janssen D9/409 X
- D. 278,887 5/1985 Steiner D9/403
- D. 284,742 7/1986 Murukurthy D9/413 X
- 3,610,455 10/1971 Greenhalgh et al. 222/325 X
- 3,912,125 10/1975 Acklin 222/165

OTHER PUBLICATIONS

Plasticware, Fall 1981, p. 14, 2 Quart Wide-Mouth Bottle, top right photo, bottle at right.

Primary Examiner—Melvin B. Feifer
Assistant Examiner—Lucy Lieberman
Attorney, Agent, or Firm—Cushman, Darby & Cushman

[57] **CLAIM**

The ornamental design for a bottle or similar article, as shown and described.

DESCRIPTION

FIG. 1 is a perspective view of a bottle or similar article showing my new design;
FIG. 2 is a front elevational view thereof;
FIG. 3 is a left side elevational view thereof;
FIG. 4 is a top plan view thereof; and
FIG. 5 is a bottom plan view thereof.
A rear elevational view and a right side elevational view of the bottle or similar article would have the same appearance as FIGS. 2 and 3, respectively.

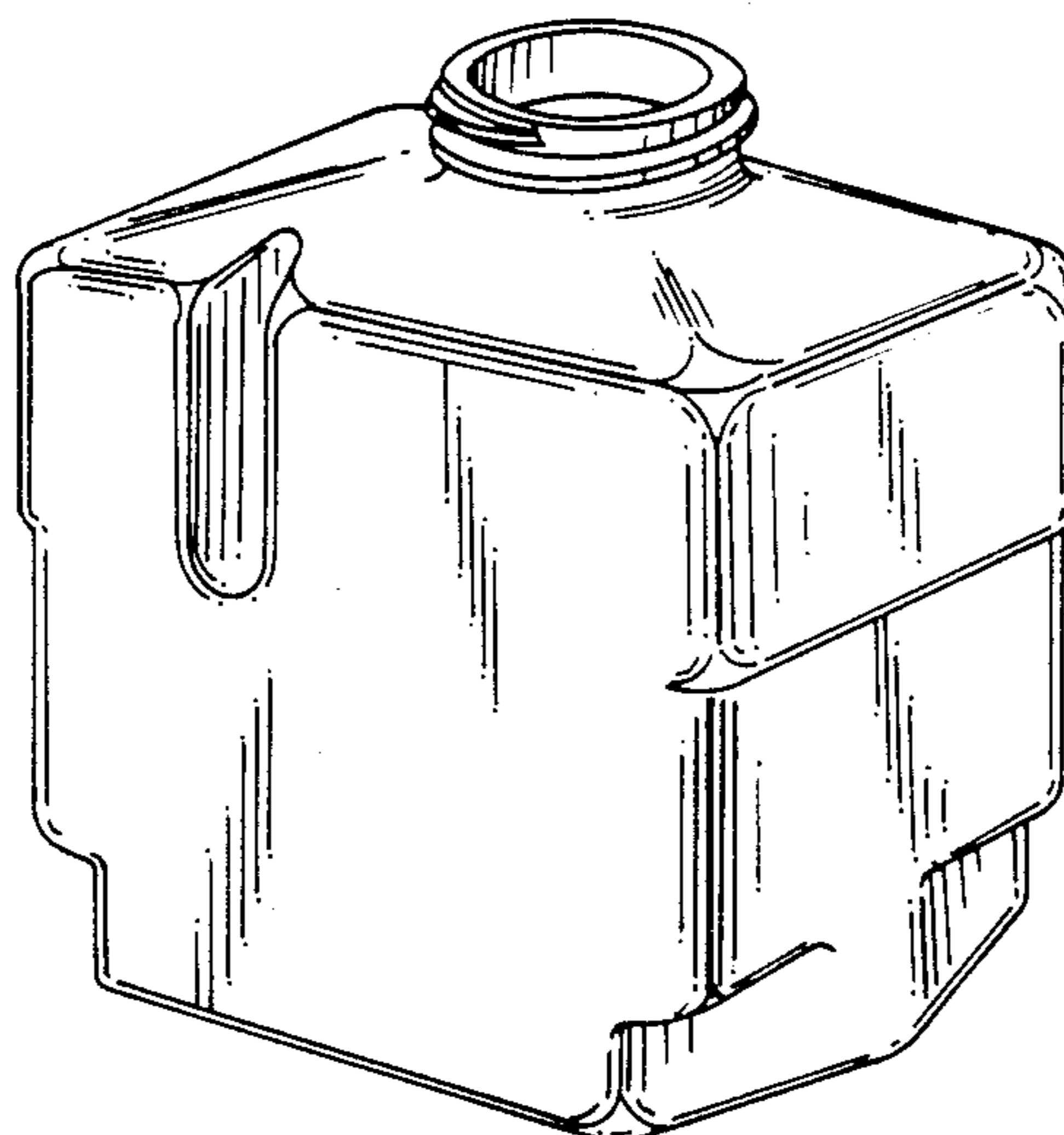


FIG. 1

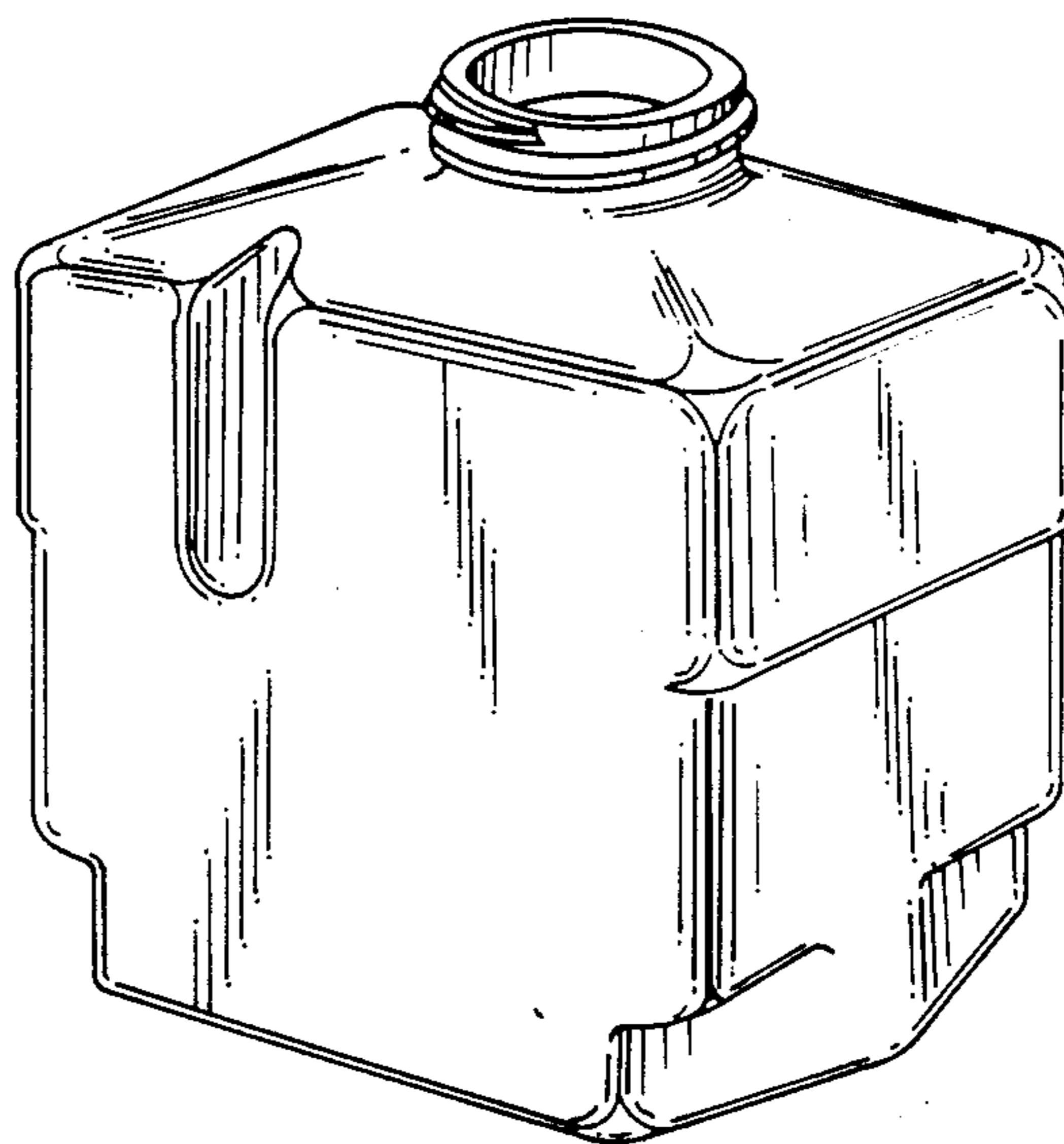


FIG. 3

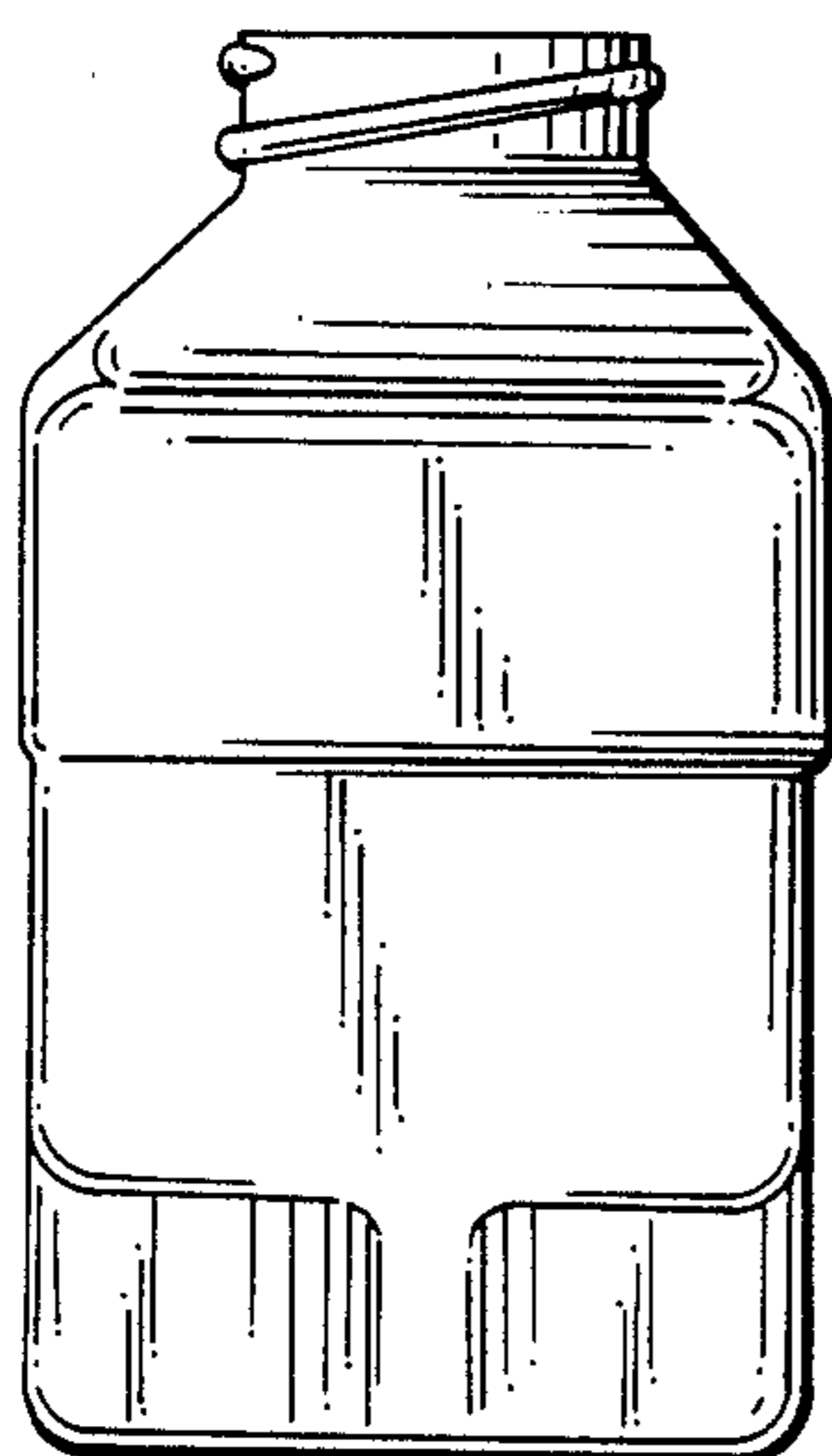


FIG. 2

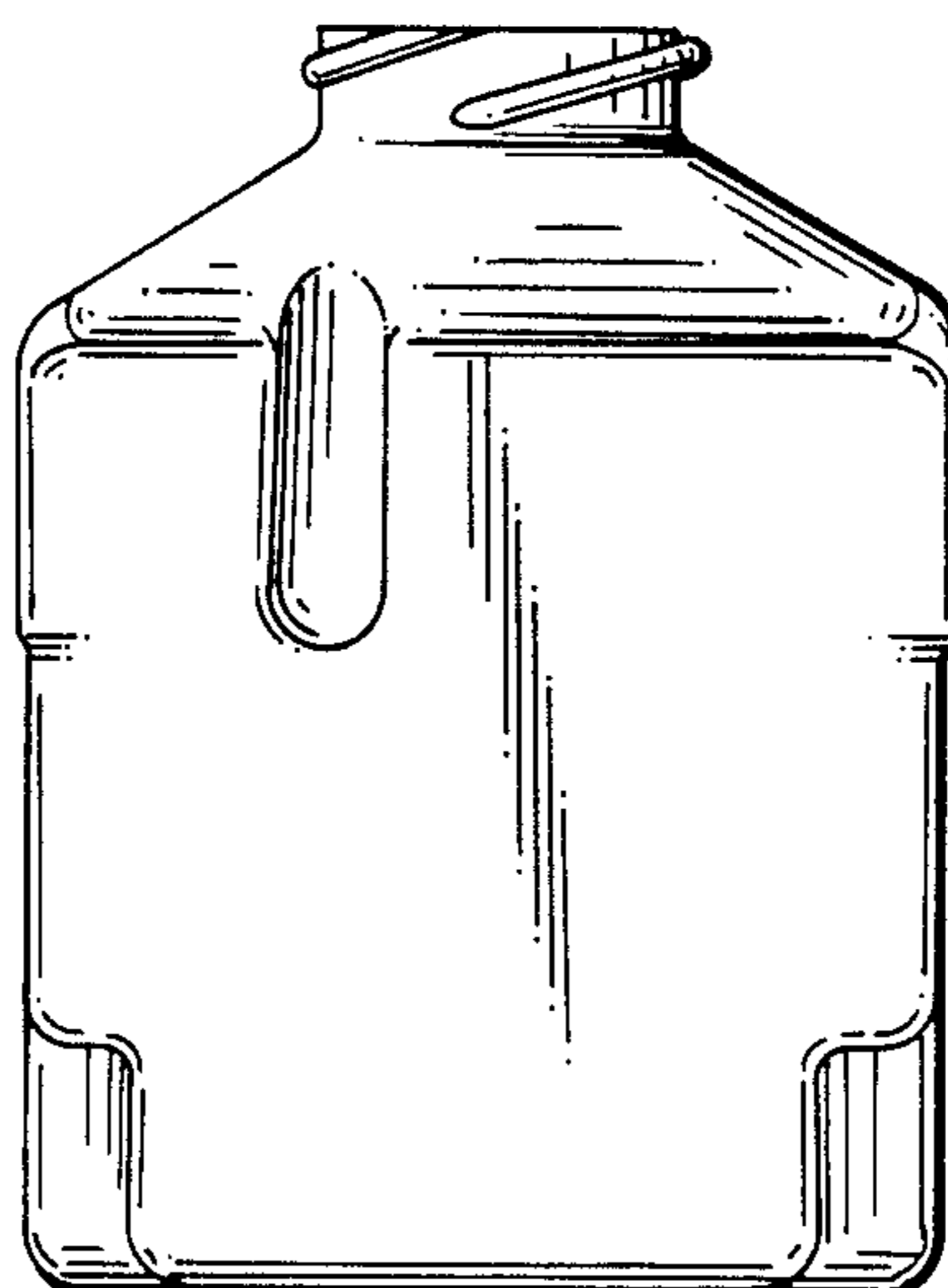


FIG. 4

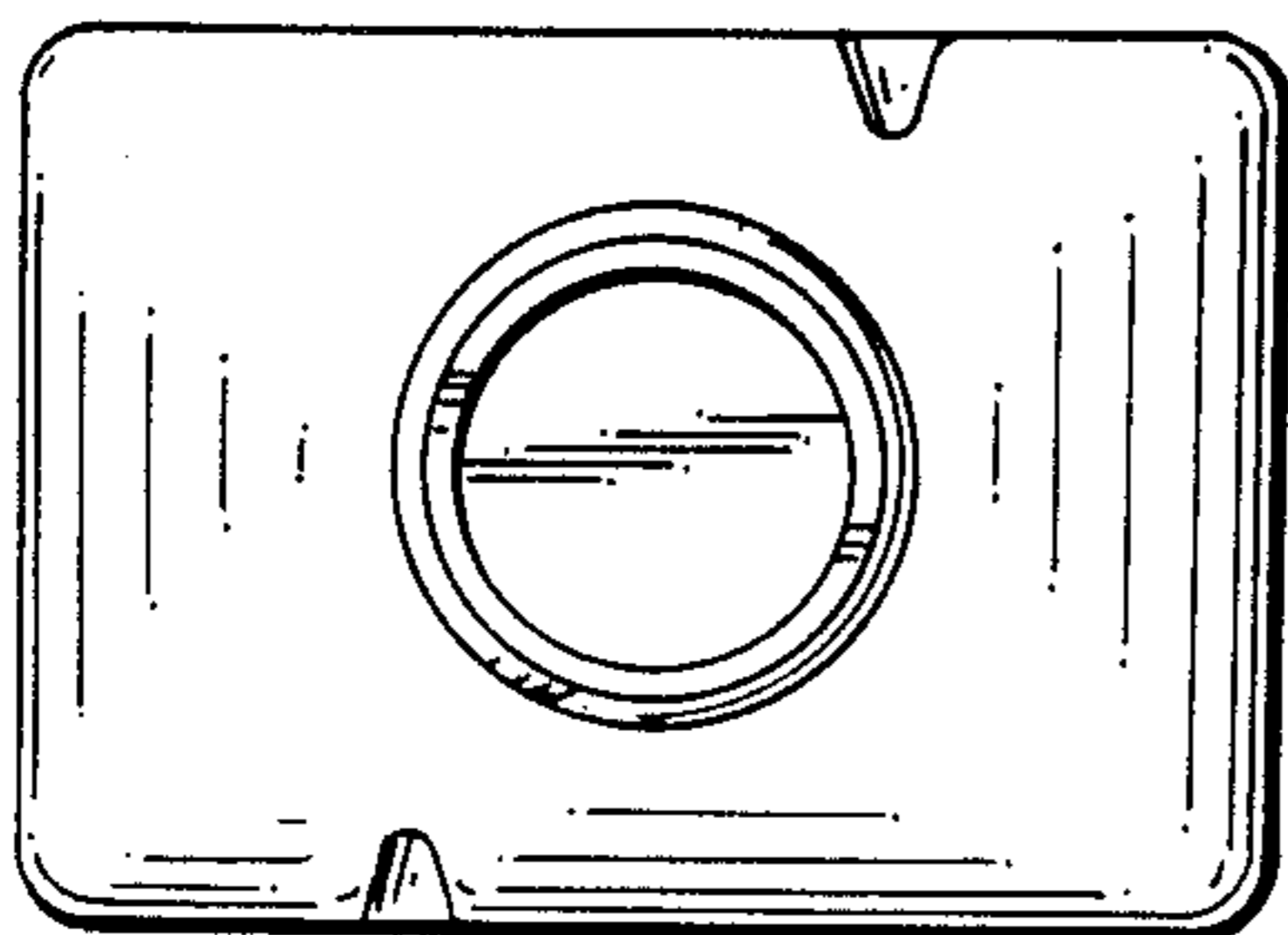


FIG. 5

