

[54] RETRACTABLE SKI ROPE REEL MATE

[76] Inventor: Larry Cason, 3317 Young Forest Dr., Augusta, Ga. 30906

[**] Term: 14 Years

[21] Appl. No.: 164,647

[22] Filed: Mar. 7, 1988

[52] U.S. Cl. D8/358; D8/359; 242/86.5 A

[58] Field of Search D8/358, 359; 242/86 A, 242/96

[56] References Cited

U.S. PATENT DOCUMENTS

3,162,395	12/1964	Bray	242/86.5 A
3,195,831	7/1965	Shriner et al.	242/86.5 A
3,385,252	5/1968	Sekkelsten	D8/358 X
3,494,570	2/1970	Jones, Jr.	D8/359 X
3,813,055	5/1974	Pickrell	242/86.5 A

4,133,496	1/1979	Zetoh	242/86.5 A
4,278,212	7/1981	Wesley	242/86.5 A X
4,304,372	12/1981	Smith et al.	242/86.5 A
4,407,460	10/1983	Khadaurdian	242/86.5 A
4,429,839	2/1984	Wessamine	242/96
4,624,141	11/1986	Soleau	242/86.5 A X

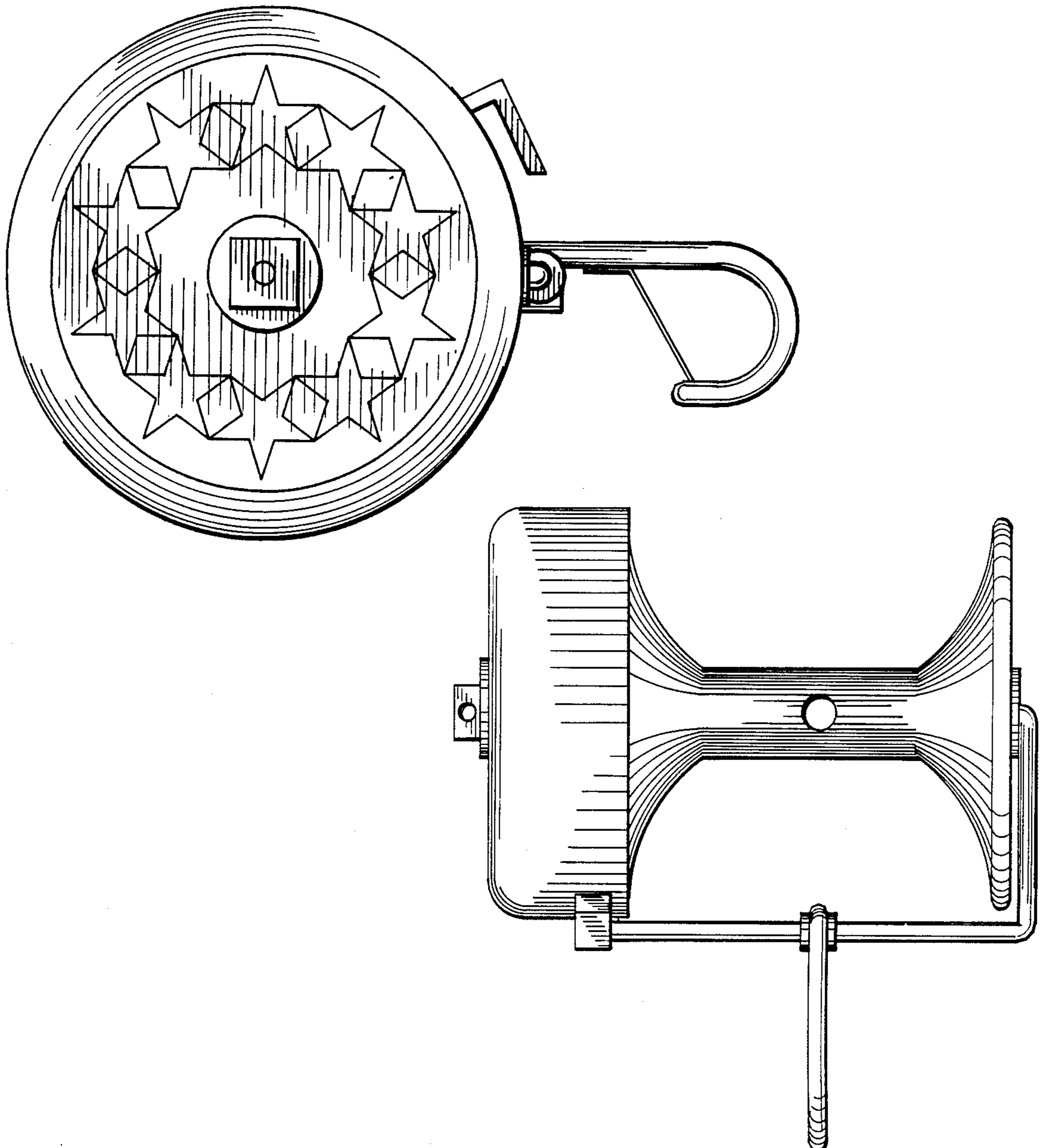
Primary Examiner—Horace B. Fay, Jr.
Attorney, Agent, or Firm—Jerry T. Kearns

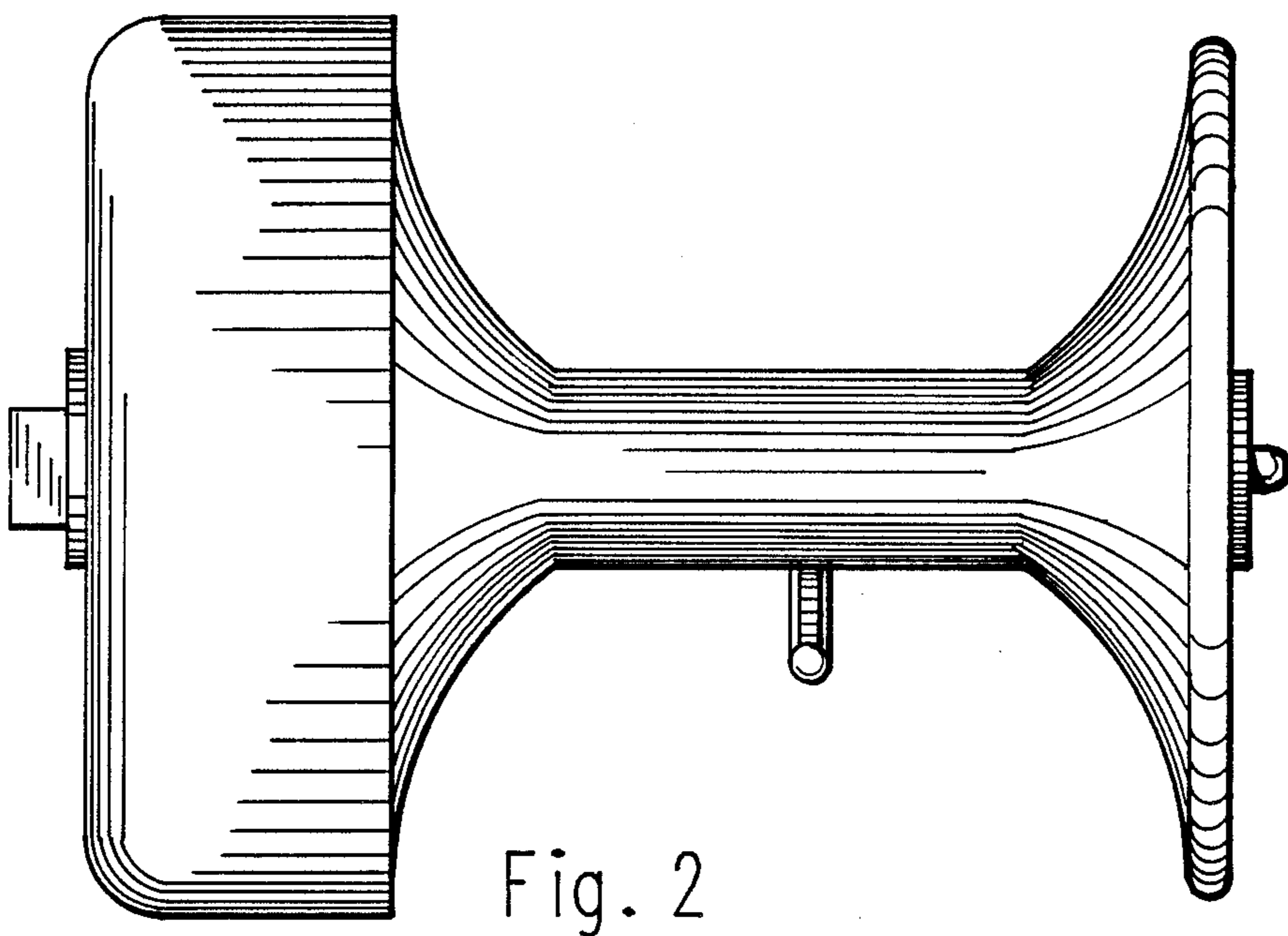
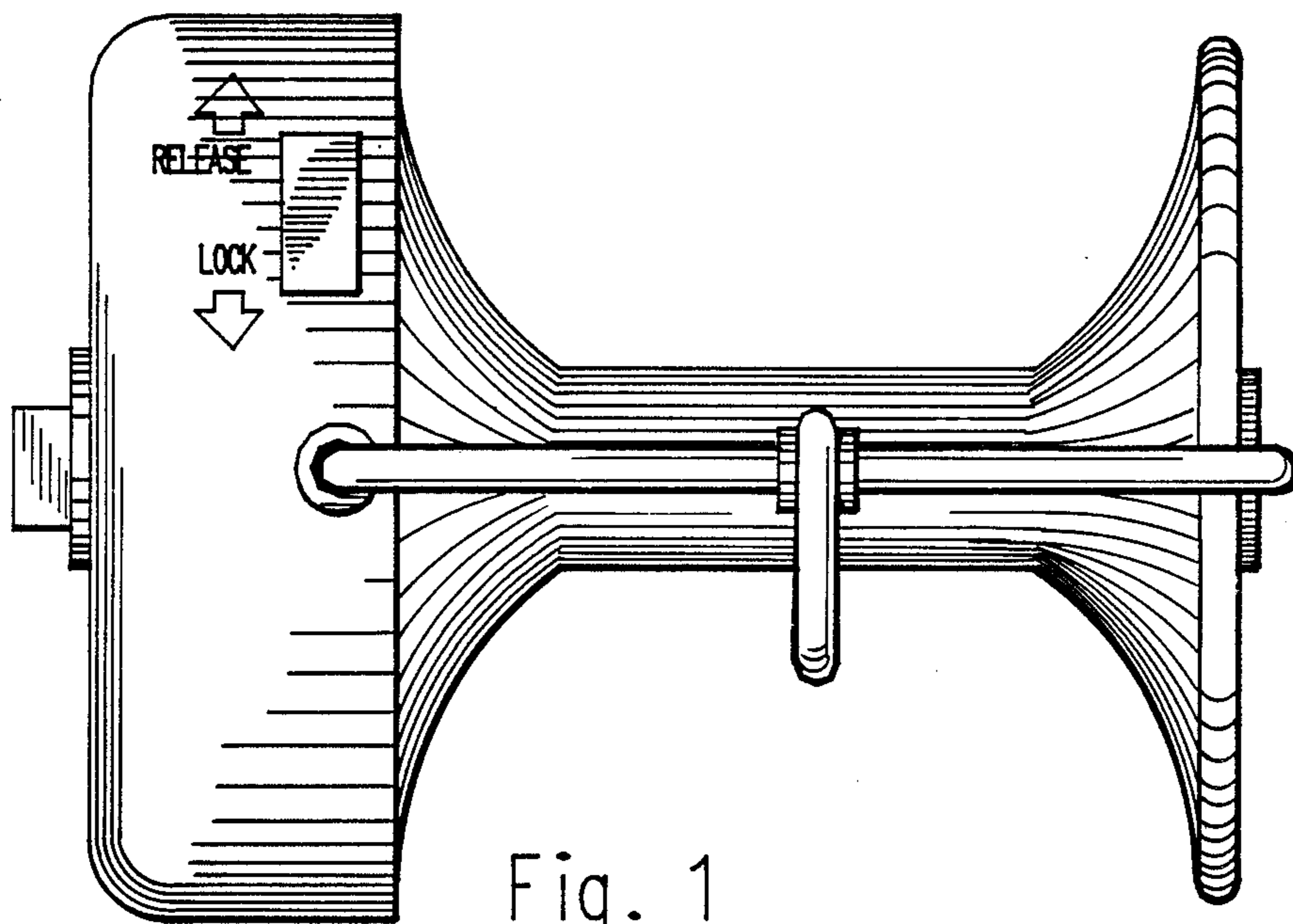
[57] CLAIM

The ornamental design for a retractable ski rope reel mate, as shown and described.

DESCRIPTION

FIGS. 1 and 2 are respectively front and rear elevational views of a retractable ski rope reel mate showing my new design; FIGS. 3 and 4 are respectively left and right side elevational views thereof; and FIGS. 5 and 6 are respectively top and bottom plan views thereof.





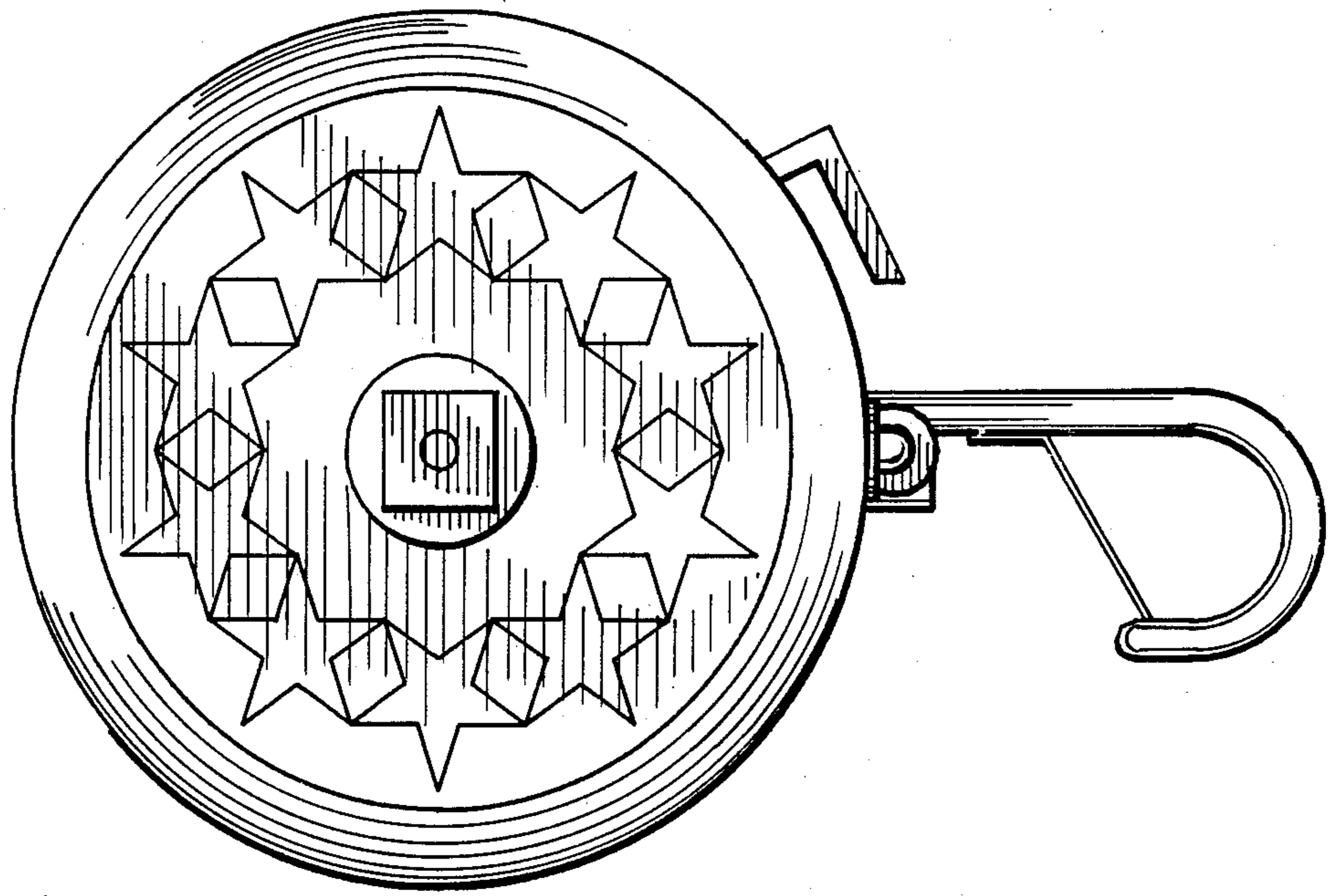


Fig. 3

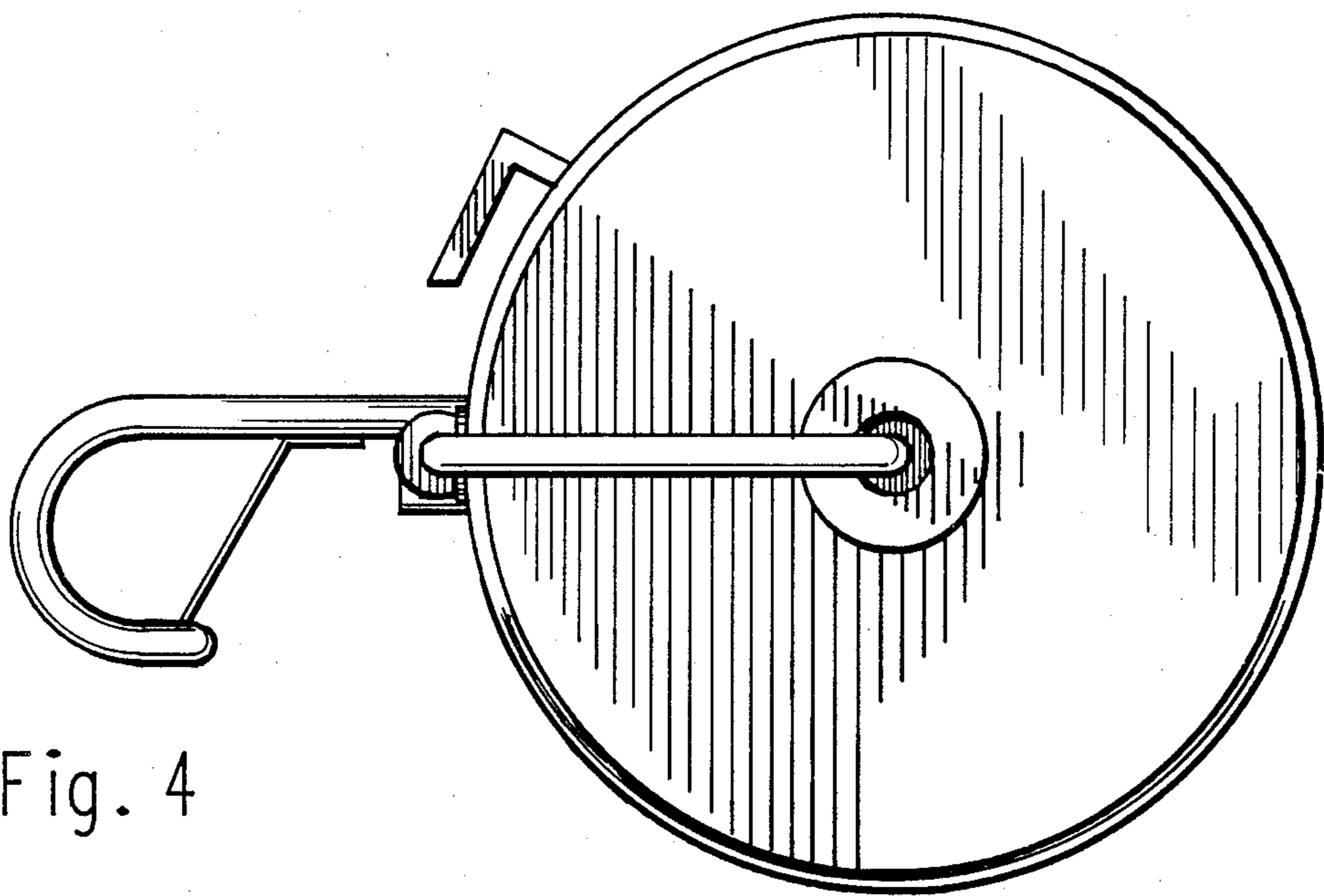


Fig. 4

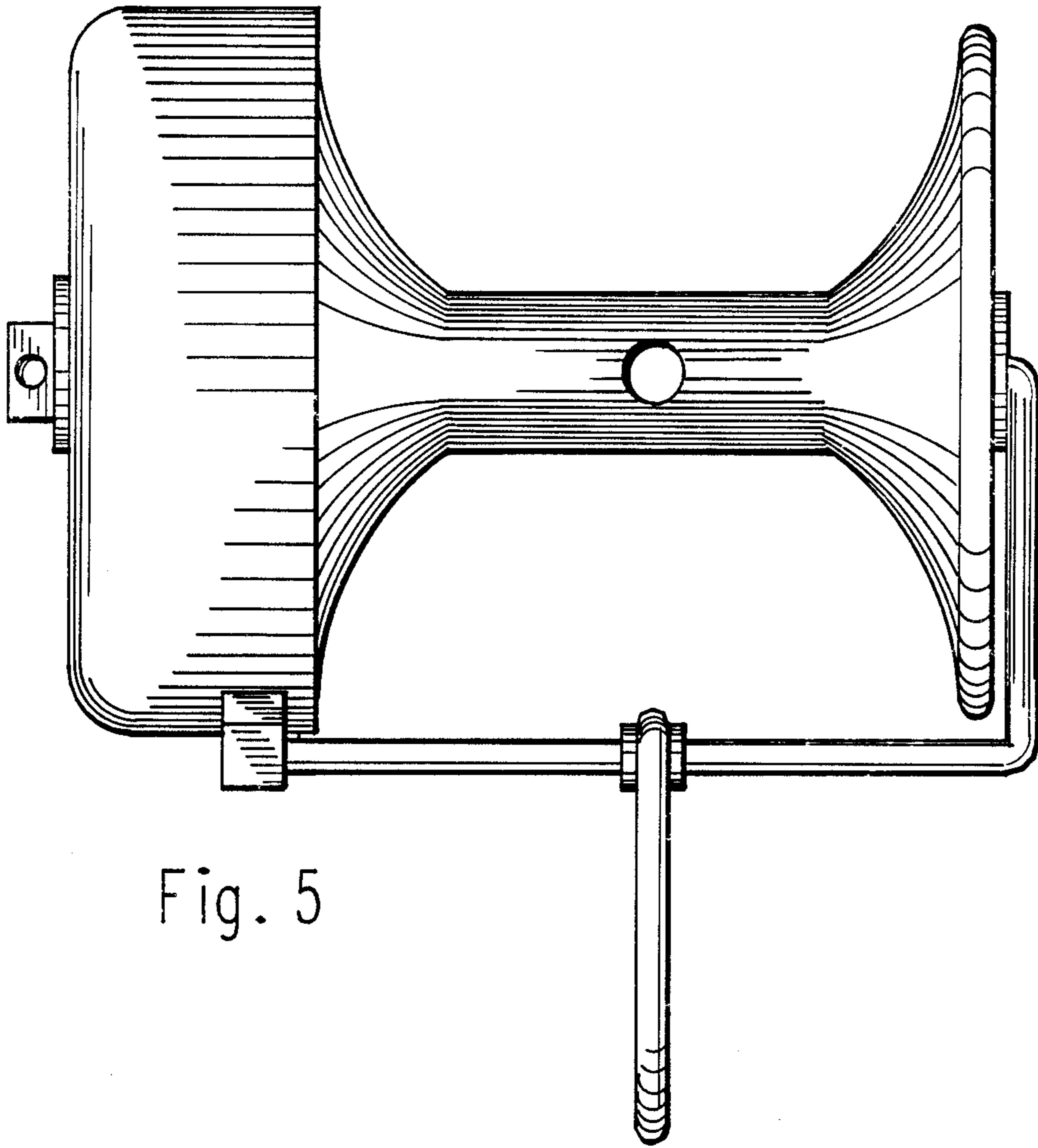


Fig. 5

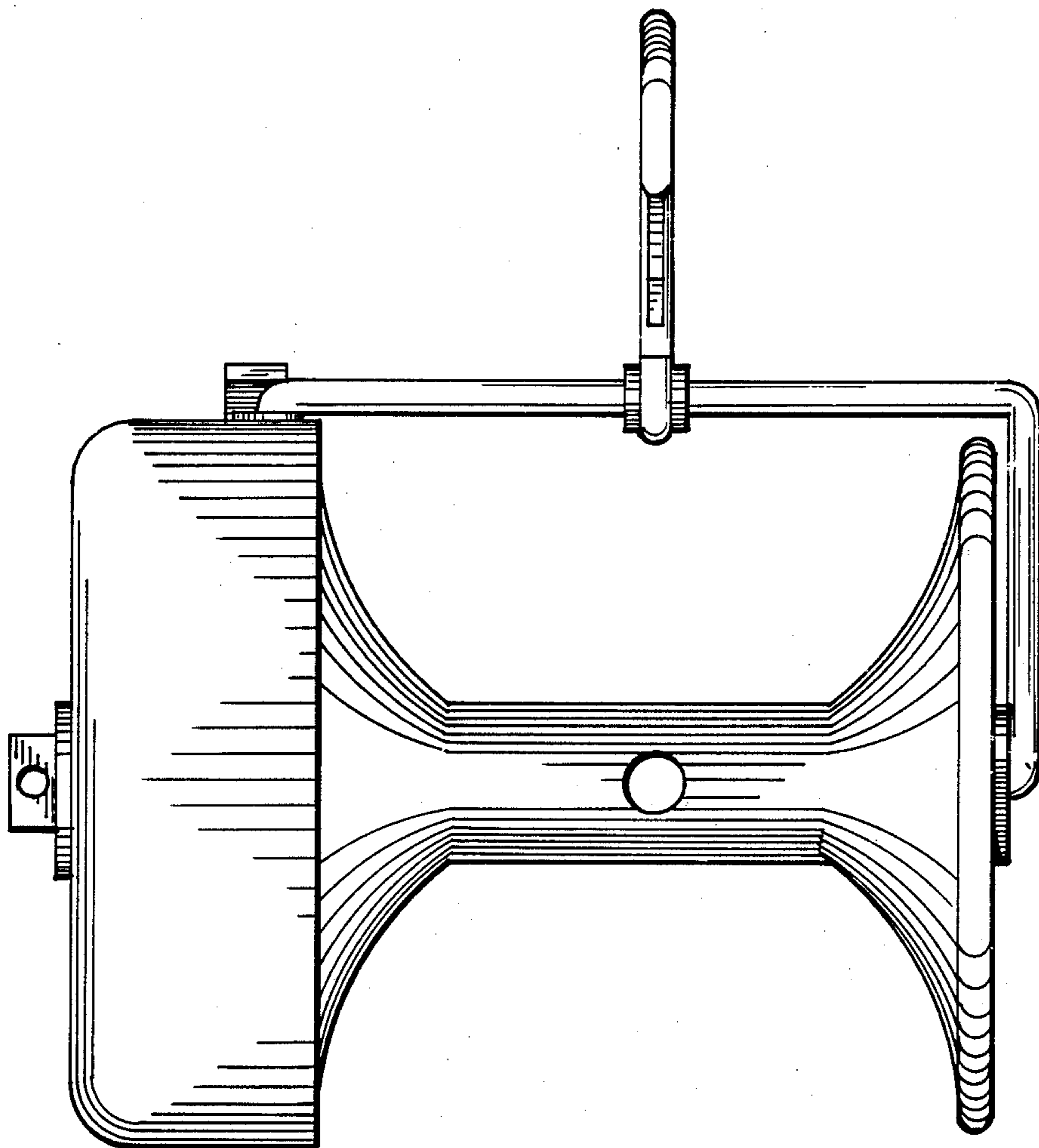


Fig. 6