

[54] **CURTAIN TRACK UNIT**

4,858,668 8/1989 Toti 160/330

[75] Inventor: **Matti Ruonala**, Queensland,
Australia

[73] Assignee: **Uniline Australia Limited**,
Queensland, Australia

[**] Term: **14 Years**

[21] Appl. No.: **141,037**

[22] Filed: **Jan. 5, 1988**

[30] **Foreign Application Priority Data**

Sep. 3, 1987 [AU] Australia 3209/87

[52] **U.S. Cl.** **D8/377**

[58] **Field of Search** D8/376, 377; D25/119,
D25/122, 124; 160/330, 345, 341

[56] **References Cited**

U.S. PATENT DOCUMENTS

D. 237,104 10/1975 Fisher D25/124
D. 261,311 10/1981 Schmidt D25/124
4,166,494 9/1979 Utting 160/330

OTHER PUBLICATIONS

Technical International Brochure 1984, front cover,
panel 2, Extruded Member.

Primary Examiner—James M. Gandy

Assistant Examiner—Melody Brown

Attorney, Agent, or Firm—Roylance, Abrams, Berdo &
Goodman

[57] **CLAIM**

The ornamental design for a curtain track unit, as
shown and described.

DESCRIPTION

FIG. 1 is a fragmentary perspective view of the top and
one side of a curtain track unit showing my new design;
FIG. 2 is a fragmentary perspective view of the bottom
and opposite side thereof; and

FIG. 3 is an end elevation view thereof, the opposite
end being a mirror image of that shown.

The curtain track unit has been broken away at one end
in FIGS. 1 and 2 to indicate indeterminate length.

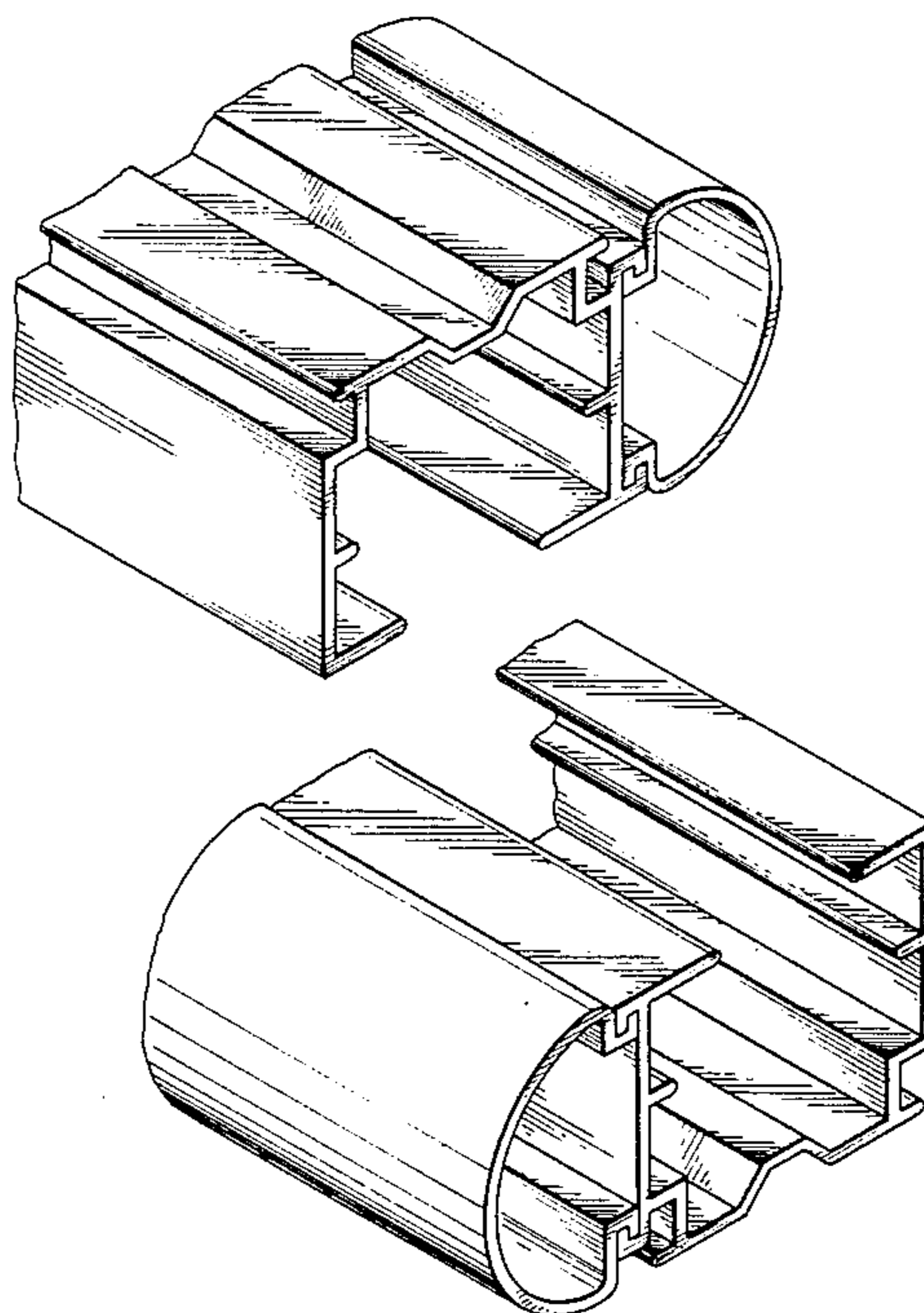


FIG. 1

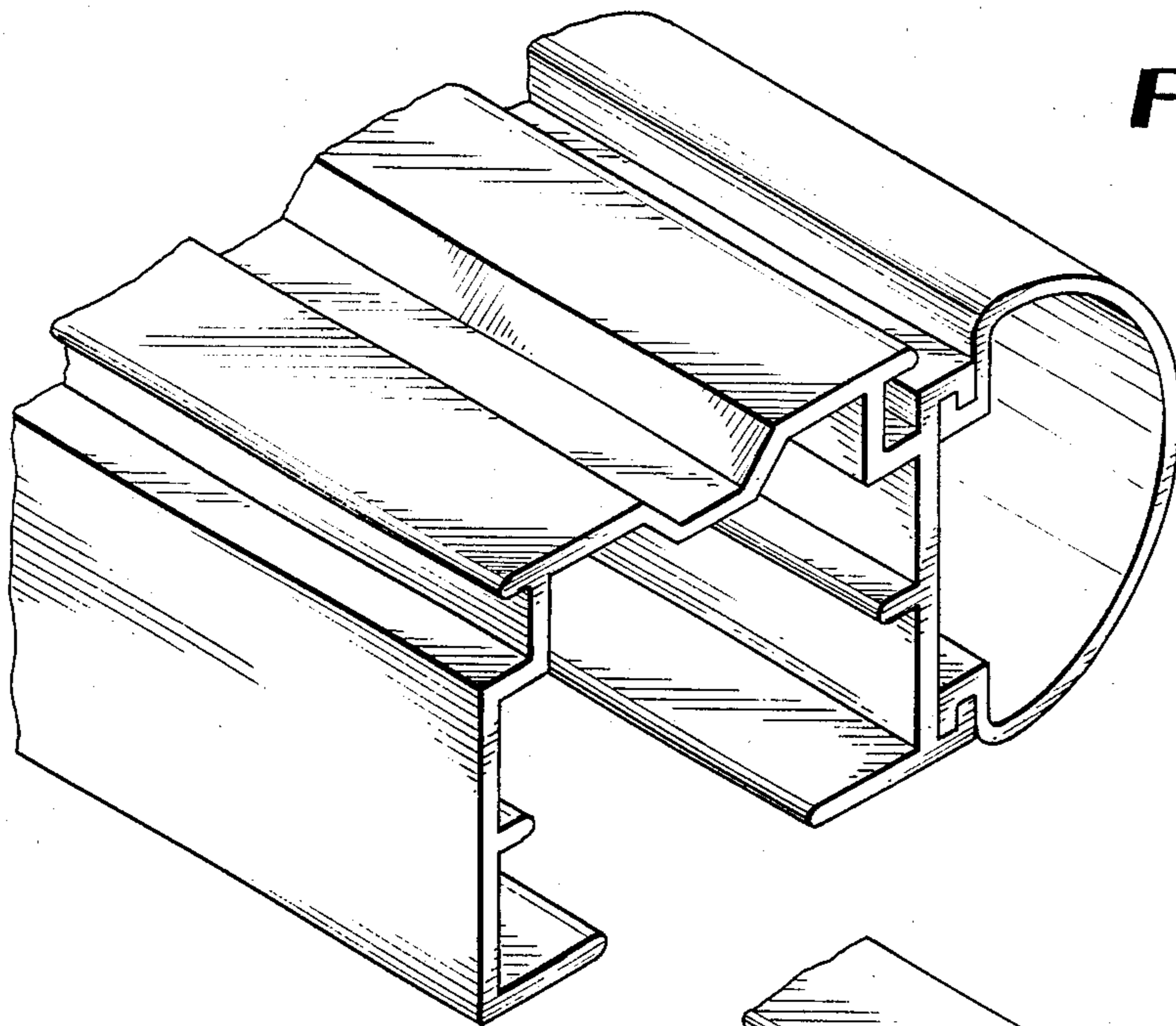


FIG. 2

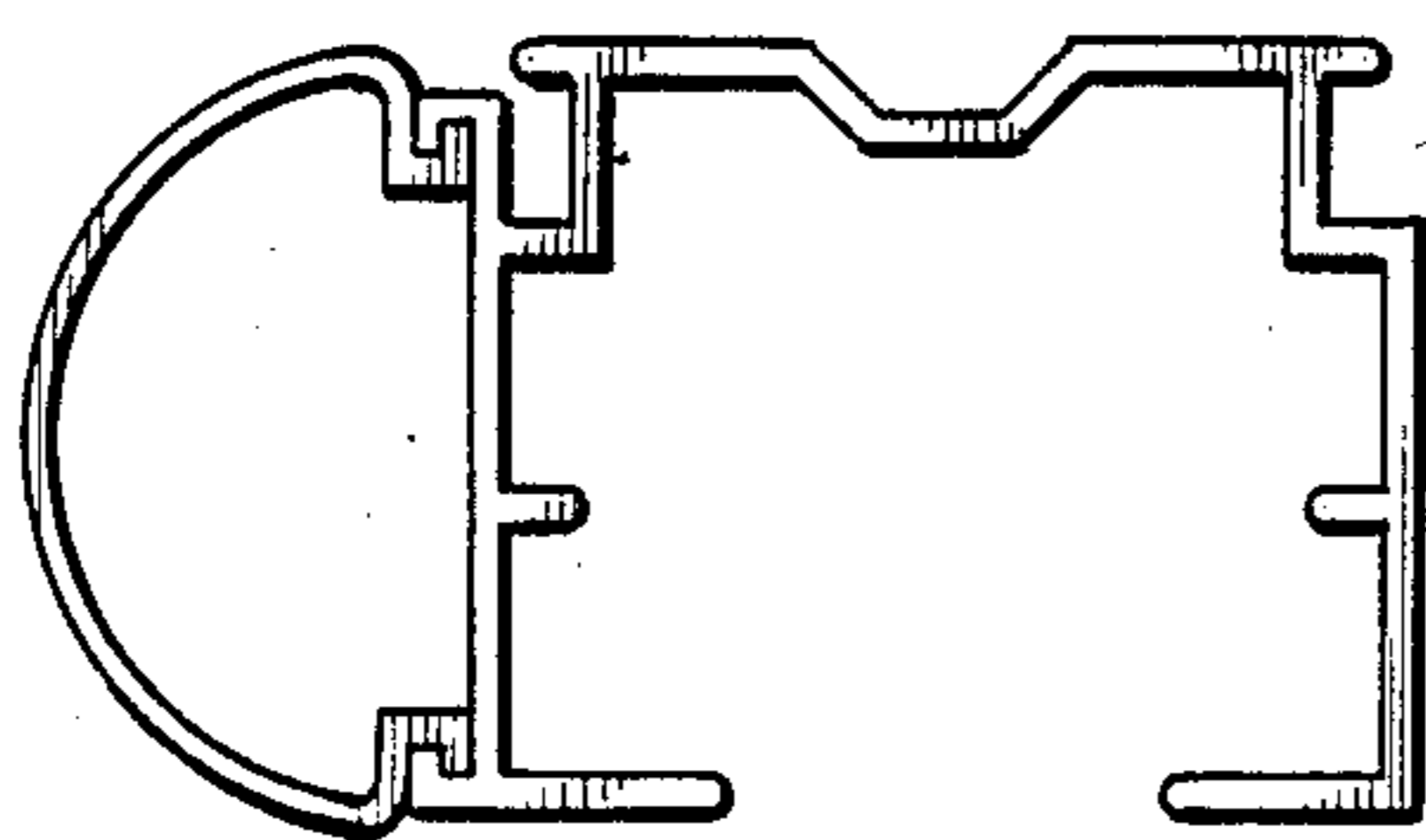
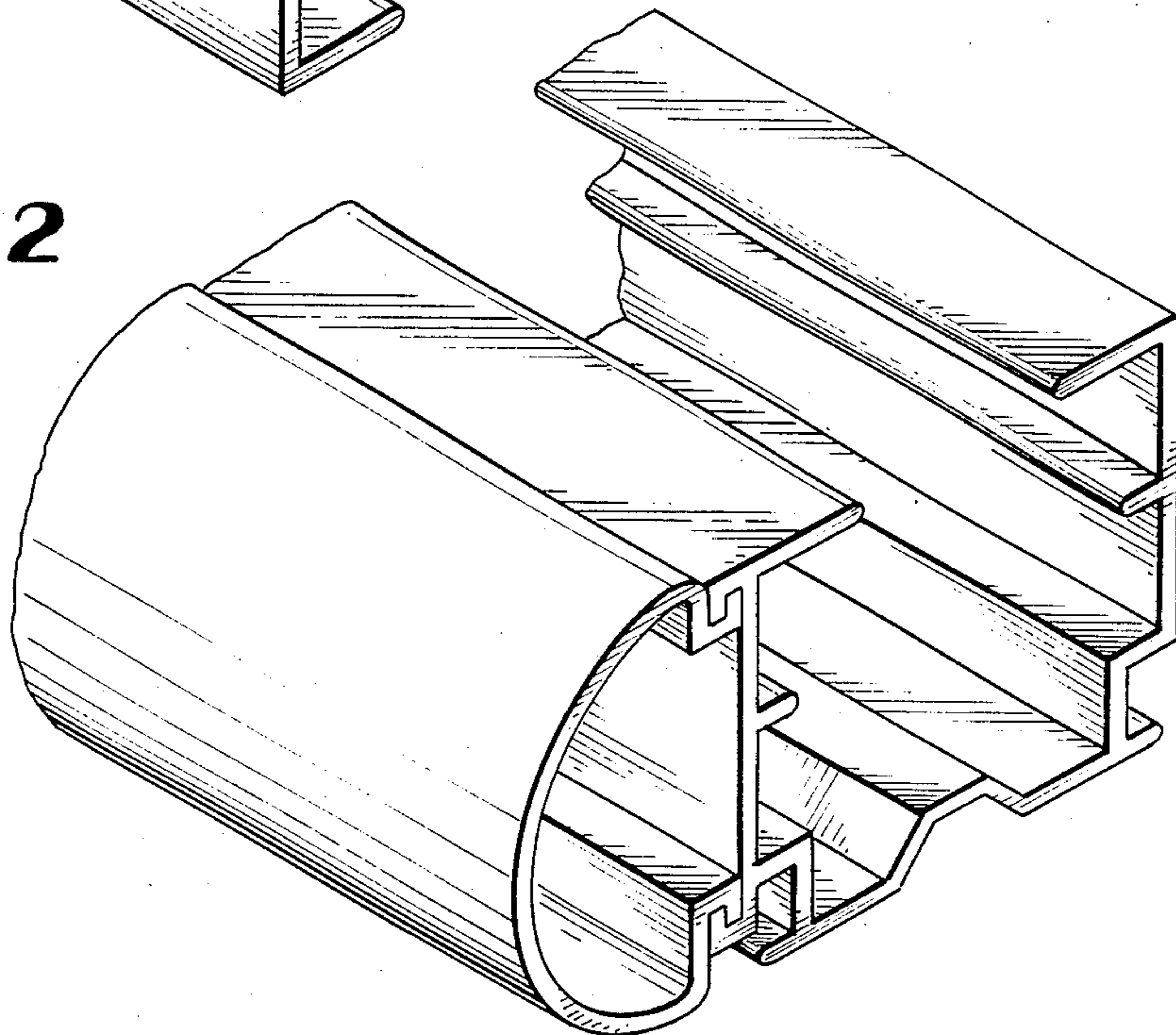


FIG. 3