

[54] MULTI-VIAL LEVEL ATTACHMENT FOR HAND-HELD DRILLS

[76] Inventor: David E. Johnson, 2296 Scenic Dr., Lancaster, Ohio 43130

[**] Term: 14 Years

[21] Appl. No.: 857,619

[22] Filed: Apr. 24, 1986

[52] U.S. Cl. D8/70; D10/69

[58] Field of Search D8/61-70; D16/69, 74; 33/334

[56] References Cited

U.S. PATENT DOCUMENTS

| | | | | |
|------------|---------|-----------------|-------|--------|
| D. 162,841 | 4/1951 | King | | D10/69 |
| D. 255,504 | 6/1980 | Vanderwerf | | D10/69 |
| 1,333,559 | 3/1920 | Moulton | | 33/333 |
| 2,820,302 | 1/1958 | Mitchell | | 33/347 |
| 4,125,944 | 11/1978 | Esposito et al. | | 33/347 |
| 4,141,151 | 2/1979 | Jansky | | 33/334 |
| 4,393,599 | 7/1983 | Sterrenberg | | 33/347 |

FOREIGN PATENT DOCUMENTS

1934717 2/1970 Fed. Rep. of Germany 33/347

OTHER PUBLICATIONS

DeJon Co. Advertising Mailer for the "Drill-Level". Do-It-Yourself-Retailing Aug. 1986 p. 32 "Drill-Level".

Primary Examiner—Bruce W. Dunkins
Assistant Examiner—Clare E. Heflin
Attorney, Agent, or Firm—James C. Simmons

[57] CLAIM

The ornamental design for a multi-vial level attachment for hand-held drills, as shown and described.

DESCRIPTION

FIG. 1 is a front, top and left side perspective view of the multi-vial level attachment for hand-held drills showing my new design, the rear view being plain and unornamented.

FIG. 2 is a front, top and right side perspective view thereof;

FIG. 3 is a left side elevational view thereof.

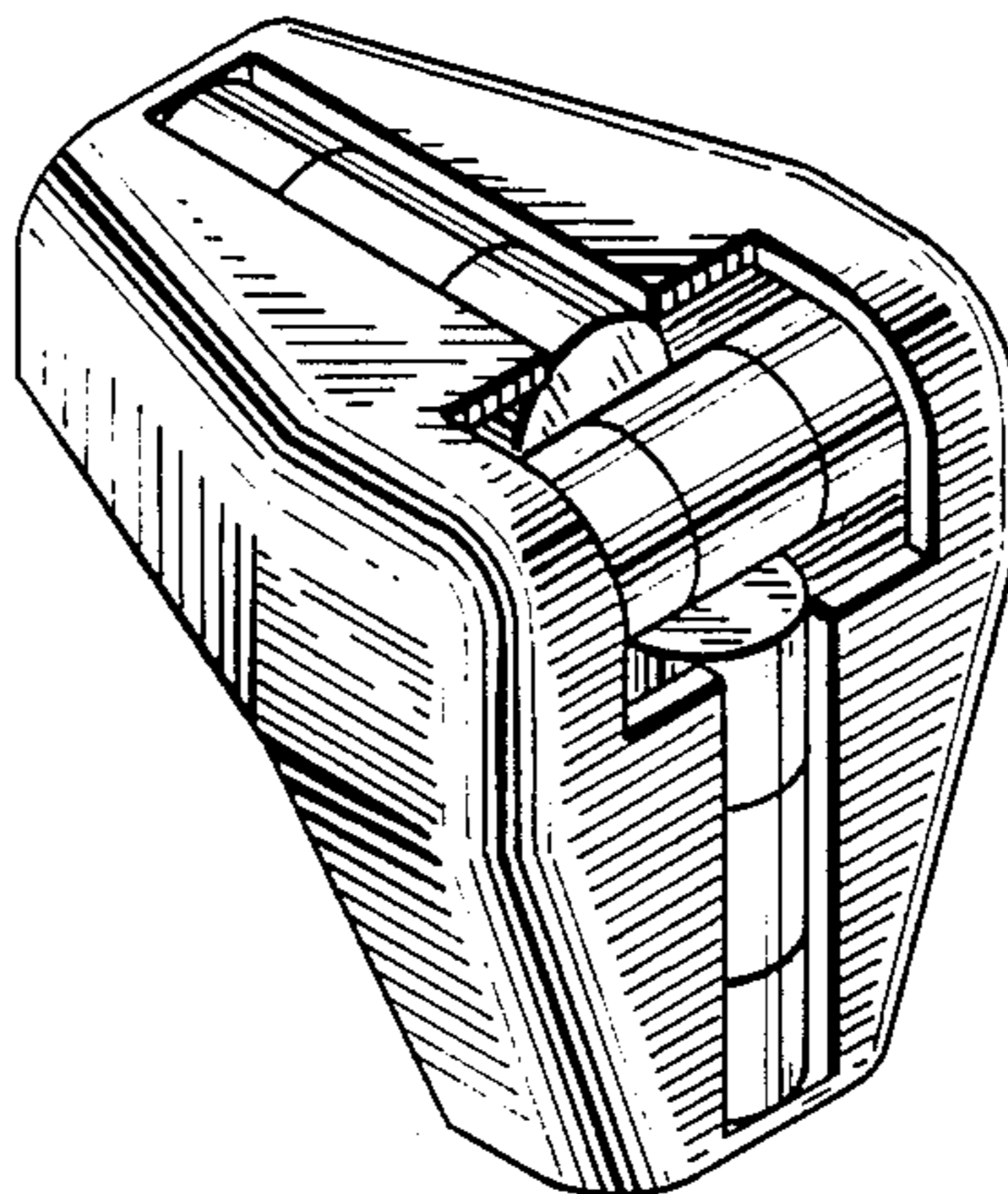


FIG. 1

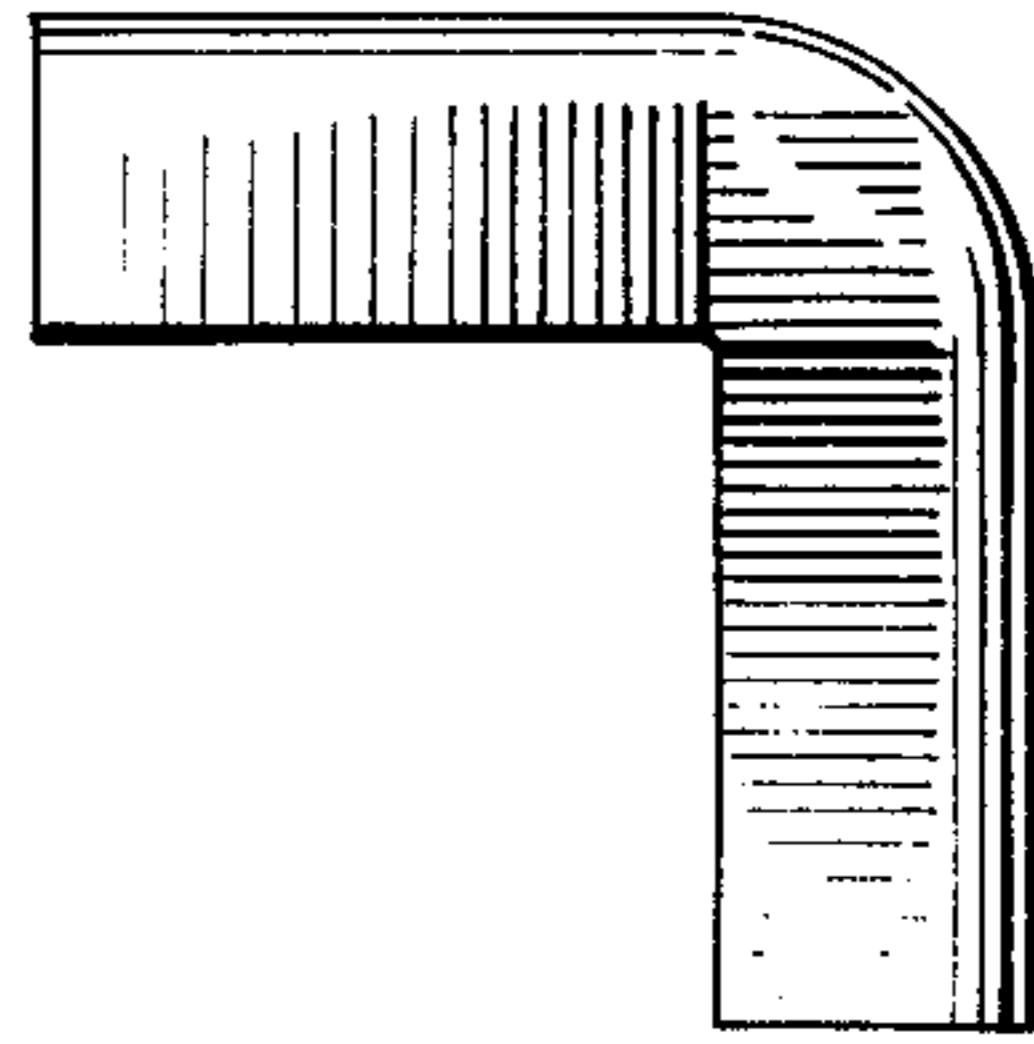
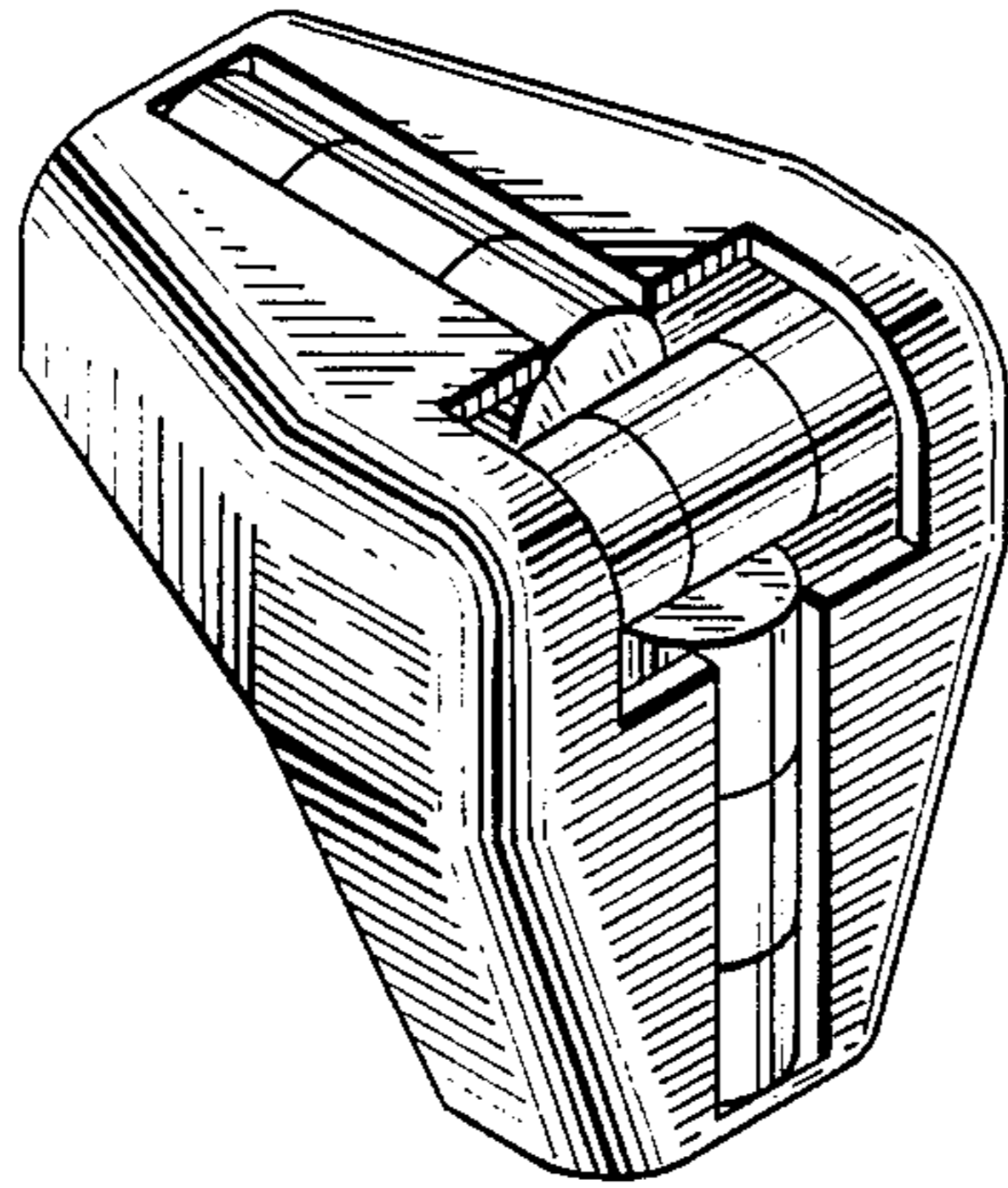


FIG. 3

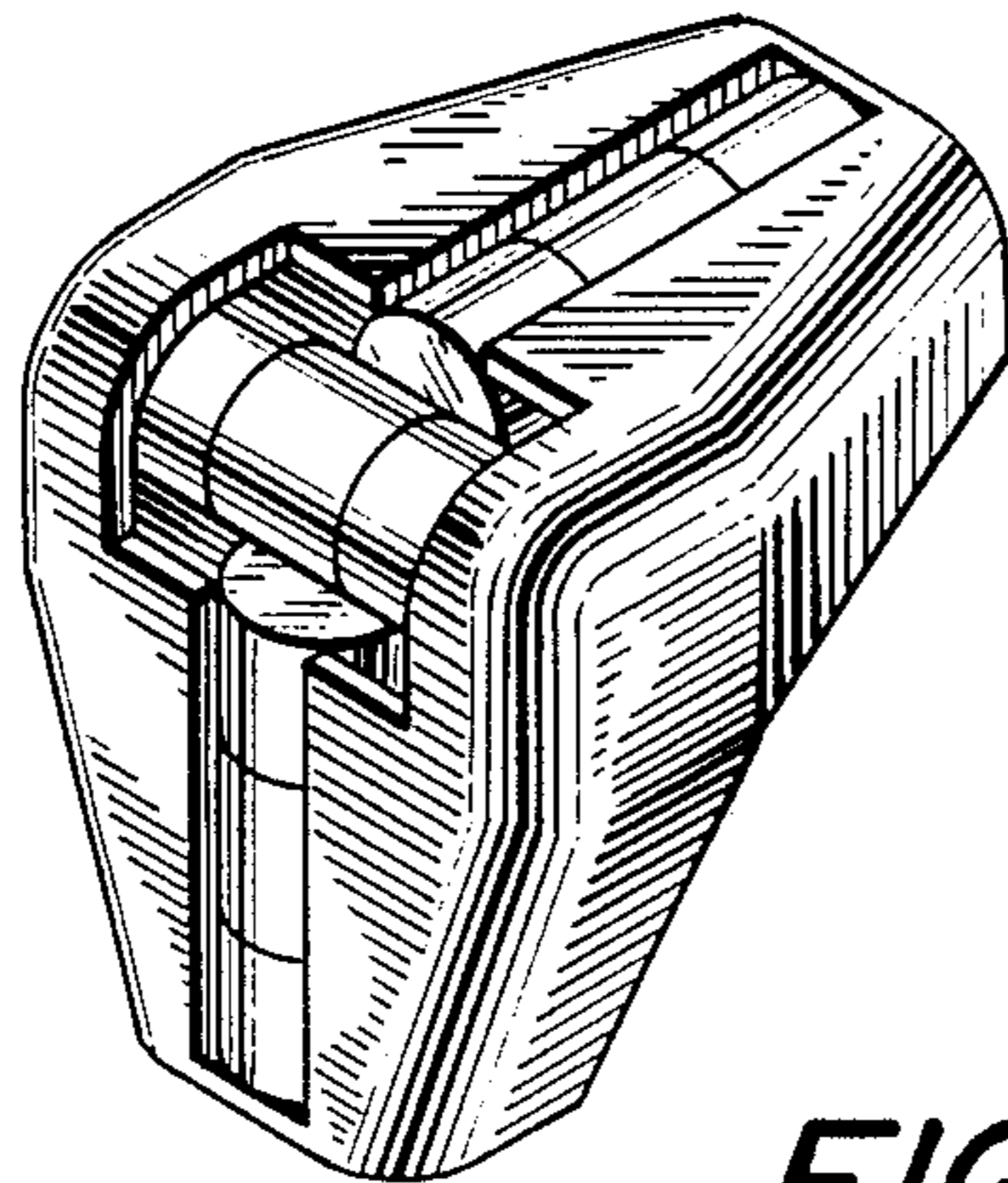


FIG. 2