

[54] MICROWAVE OVEN

[75] Inventor: Hideo Nishikawa, Osaka, Japan

[73] Assignee: Imanishi Kinzoku Kogyo Kabushiki Kaisha, Osaka, Japan

[\*\*] Term: 14 Years

[21] Appl. No.: 230,856

[22] Filed: Aug. 10, 1988

[30] Foreign Application Priority Data

Feb. 10, 1988 [JP] Japan ..... 63-5223

[52] U.S. Cl. .... D7/351

[58] Field of Search ..... D7/347, 348, 349, 350, D7/351; 219/10.55 R, 10.55 M

[56] References Cited

U.S. PATENT DOCUMENTS

- D. 276,784 12/1984 Ohyama et al. .... D7/351
- D. 294,216 2/1988 Choi ..... D7/351

- D. 297,700 9/1988 Nishikawa et al. .... D7/351
- D. 301,430 6/1989 Nishikawa et al. .... D7/351
- D. 304,412 11/1989 Nishibori ..... D7/351

Primary Examiner—A. Hugo Word  
Assistant Examiner—Ruth McInroy

[57] CLAIM

The ornamental design for a microwave oven, as shown and described.

DESCRIPTION

FIG. 1 is a front elevational view of a microwave oven showing my new design;  
 FIG. 2 is a top plan view thereof;  
 FIG. 3 is a right side elevational view thereof;  
 FIG. 4 is a left side elevational view thereof;  
 FIG. 5 is a rear elevational view thereof;  
 FIG. 6 is a bottom plan view thereof;  
 FIG. 7 is a front perspective thereof, and  
 FIG. 8 is a front perspective view of a second embodiment thereof.

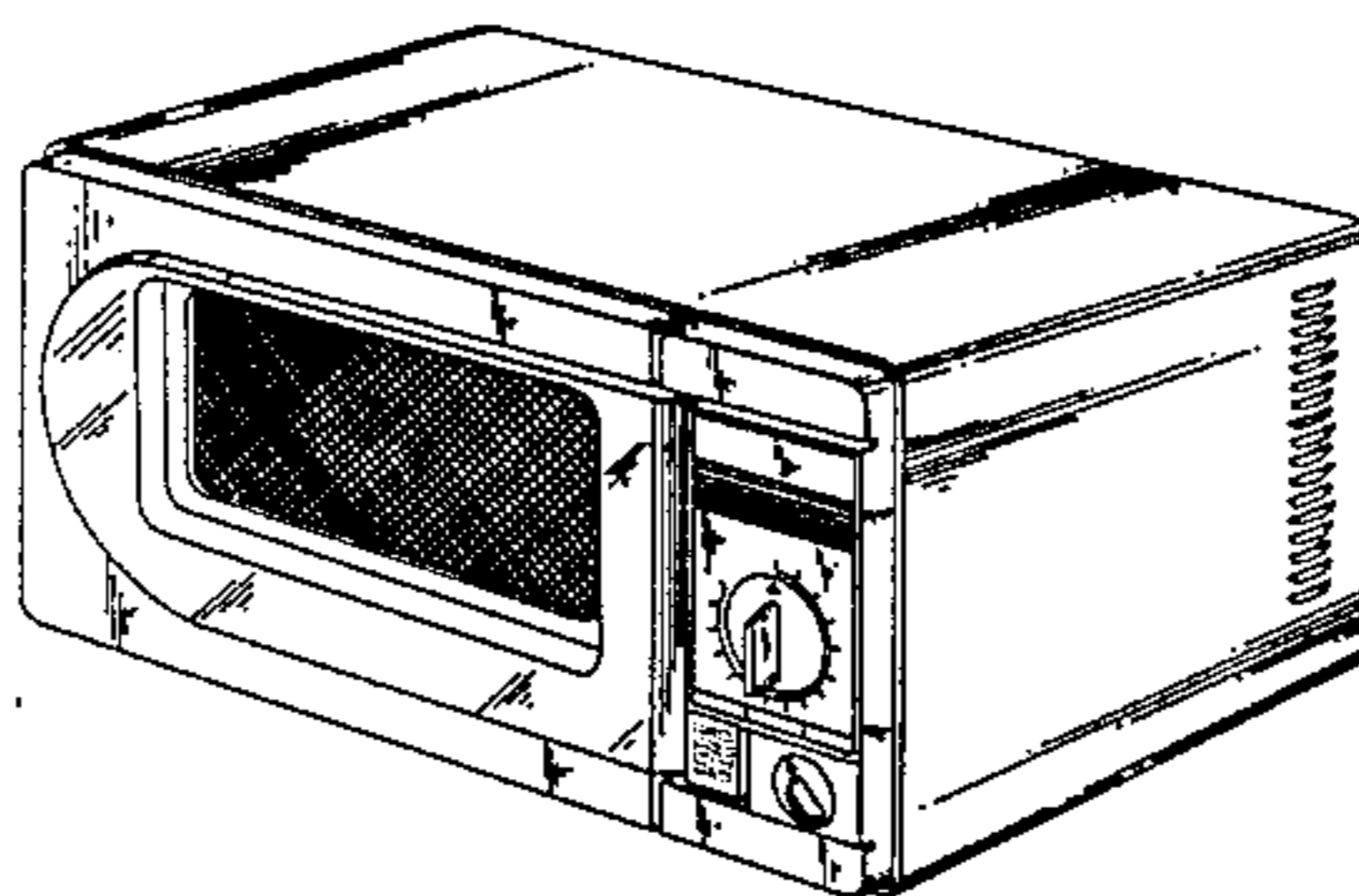
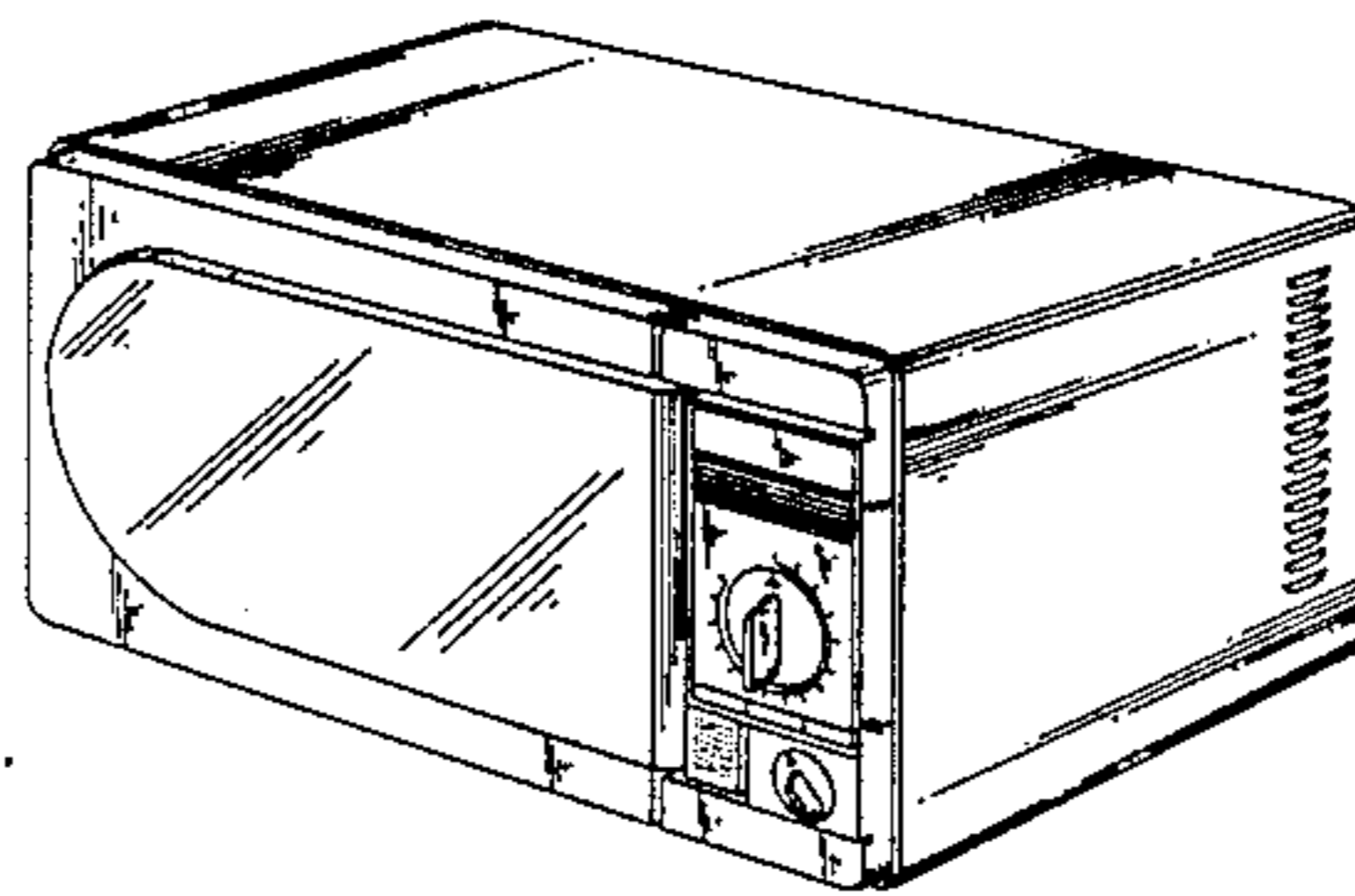


FIG. 1

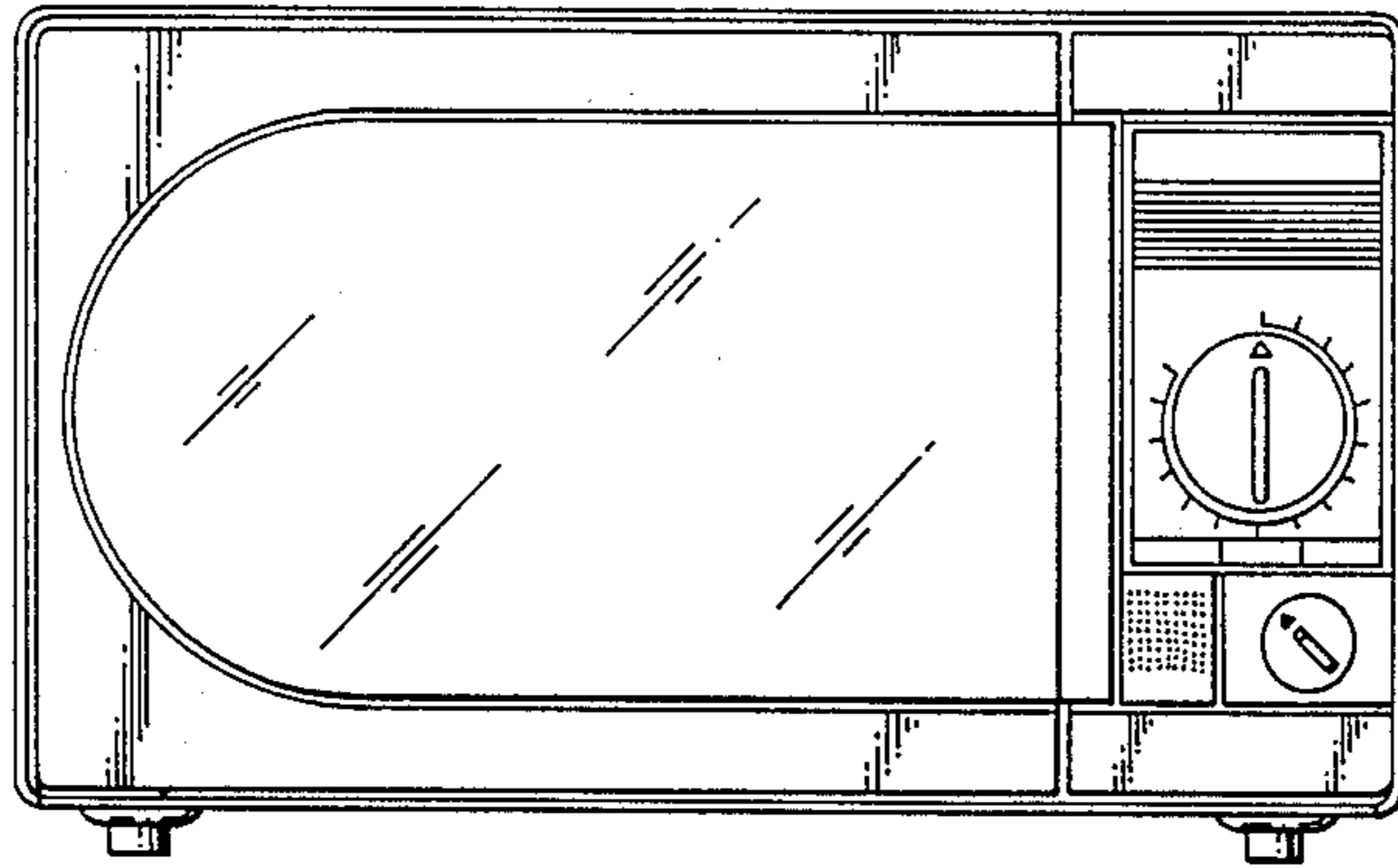


FIG. 2

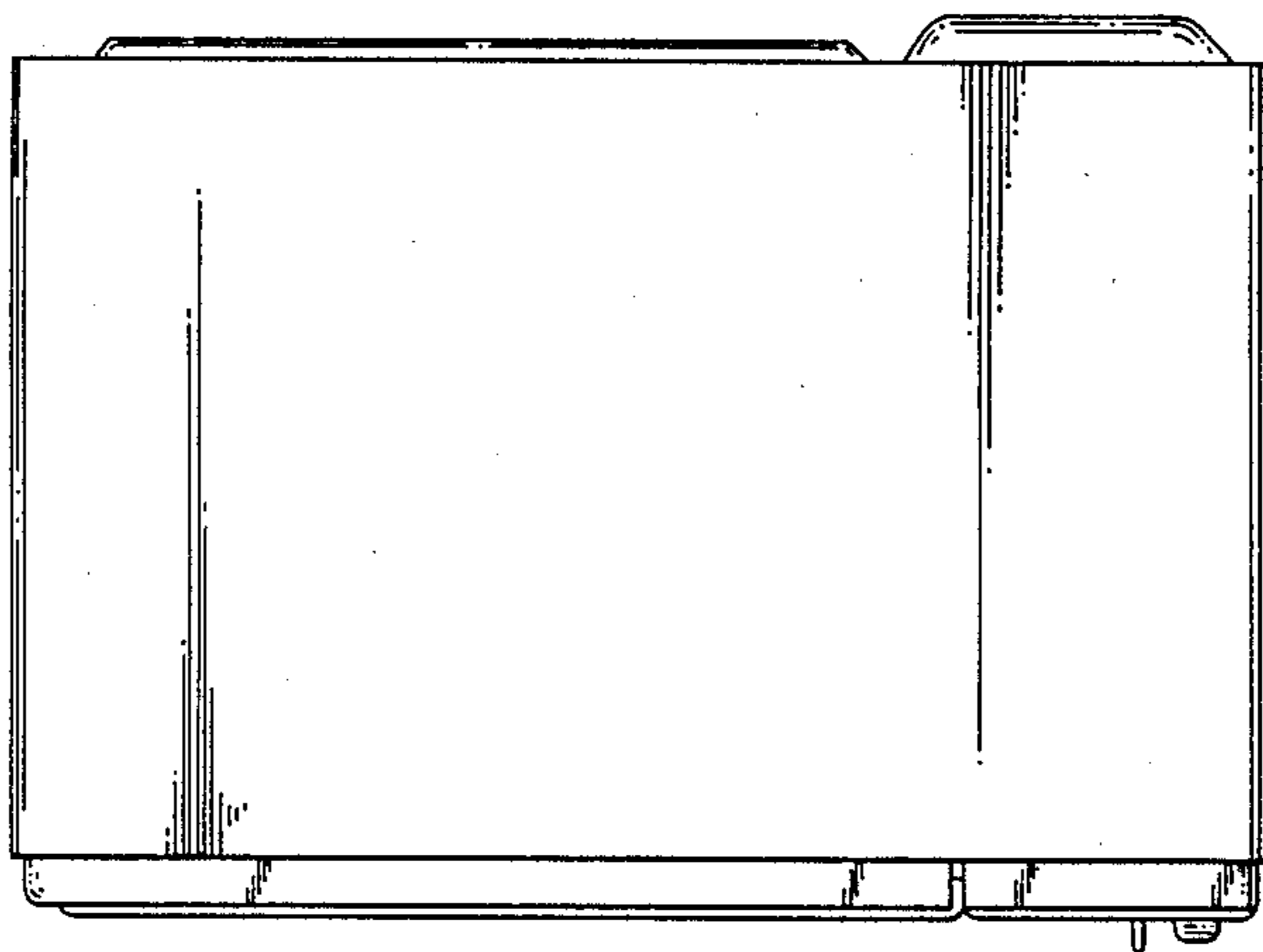


FIG. 3

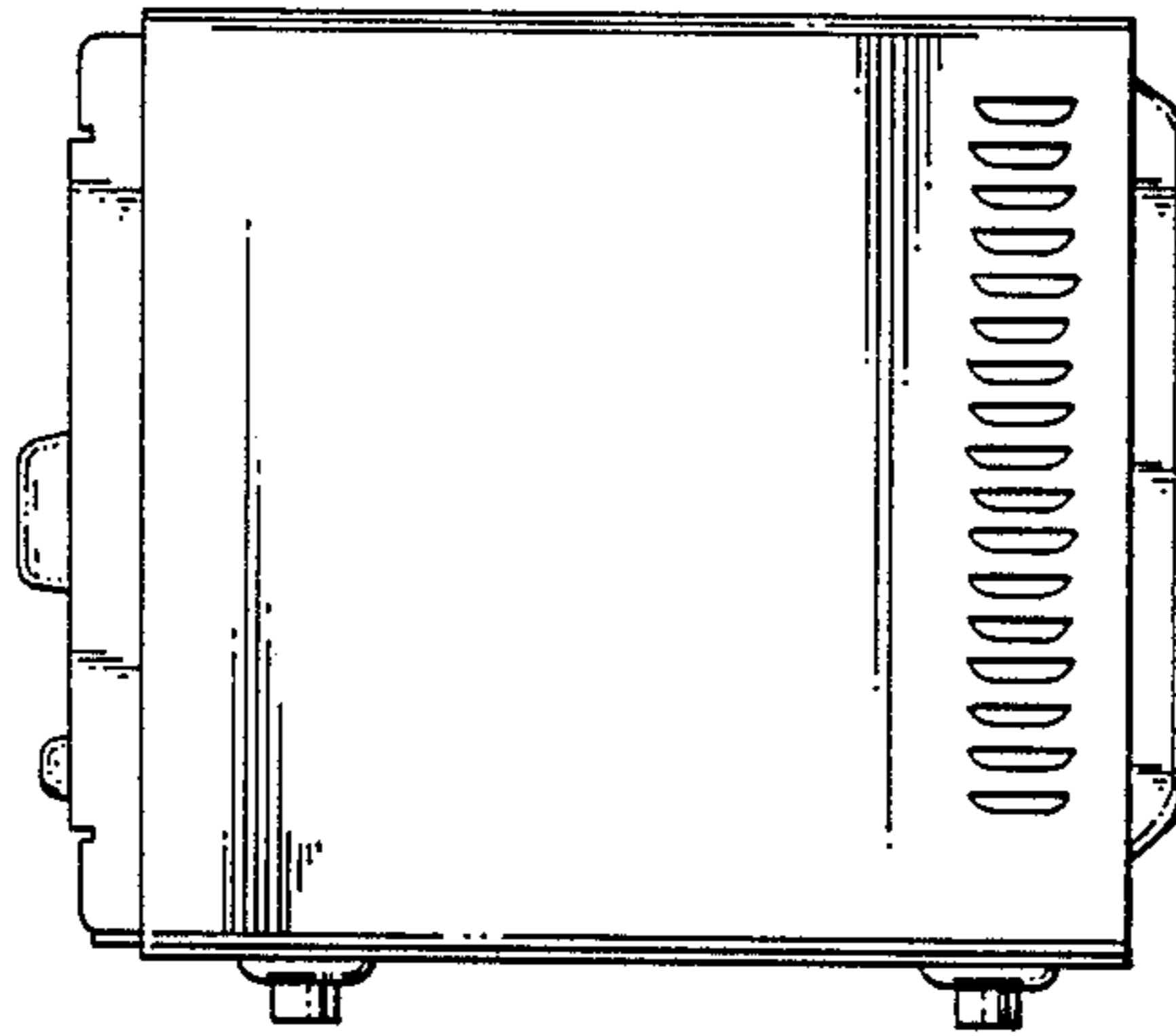


FIG. 4

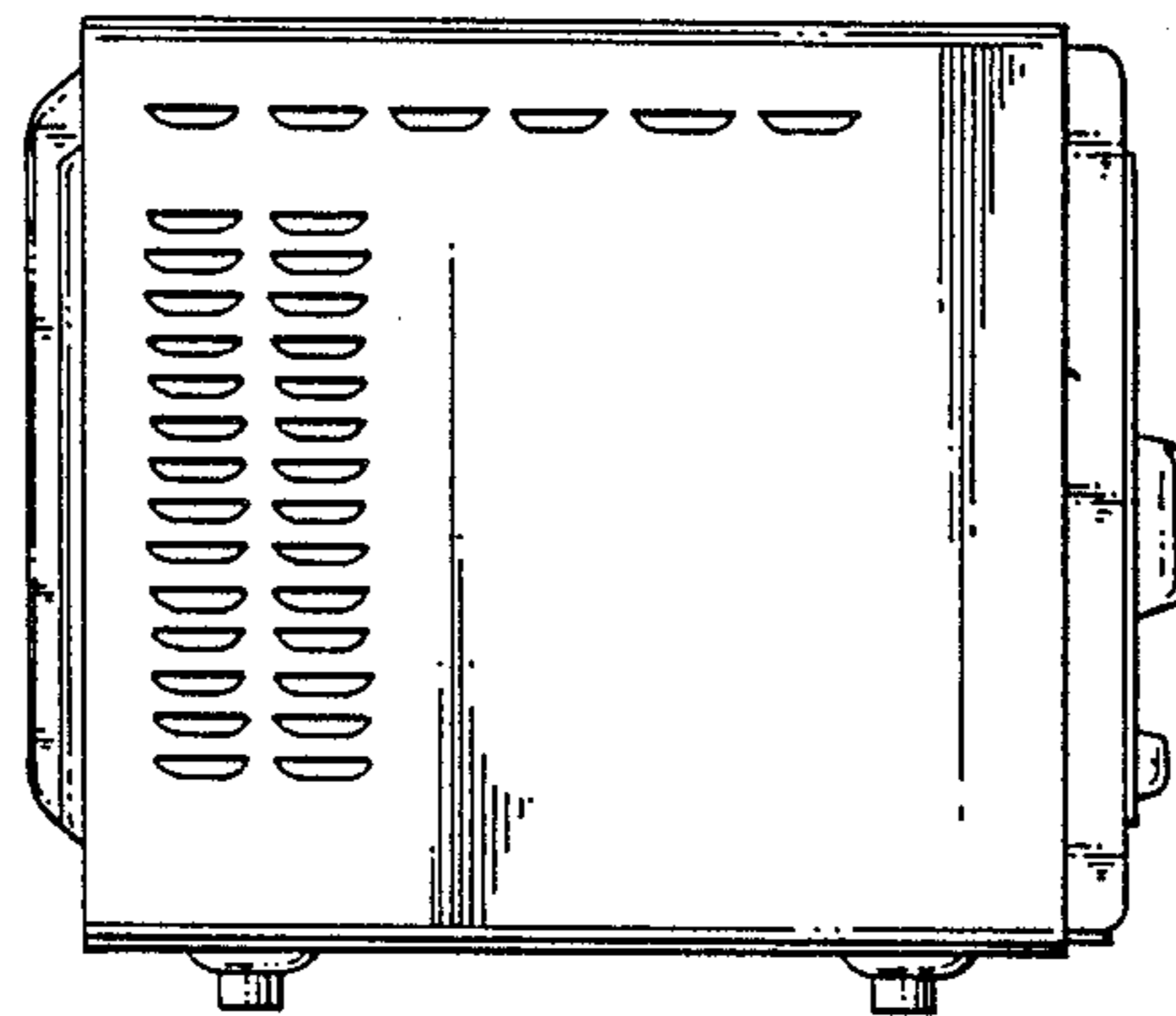


FIG. 5

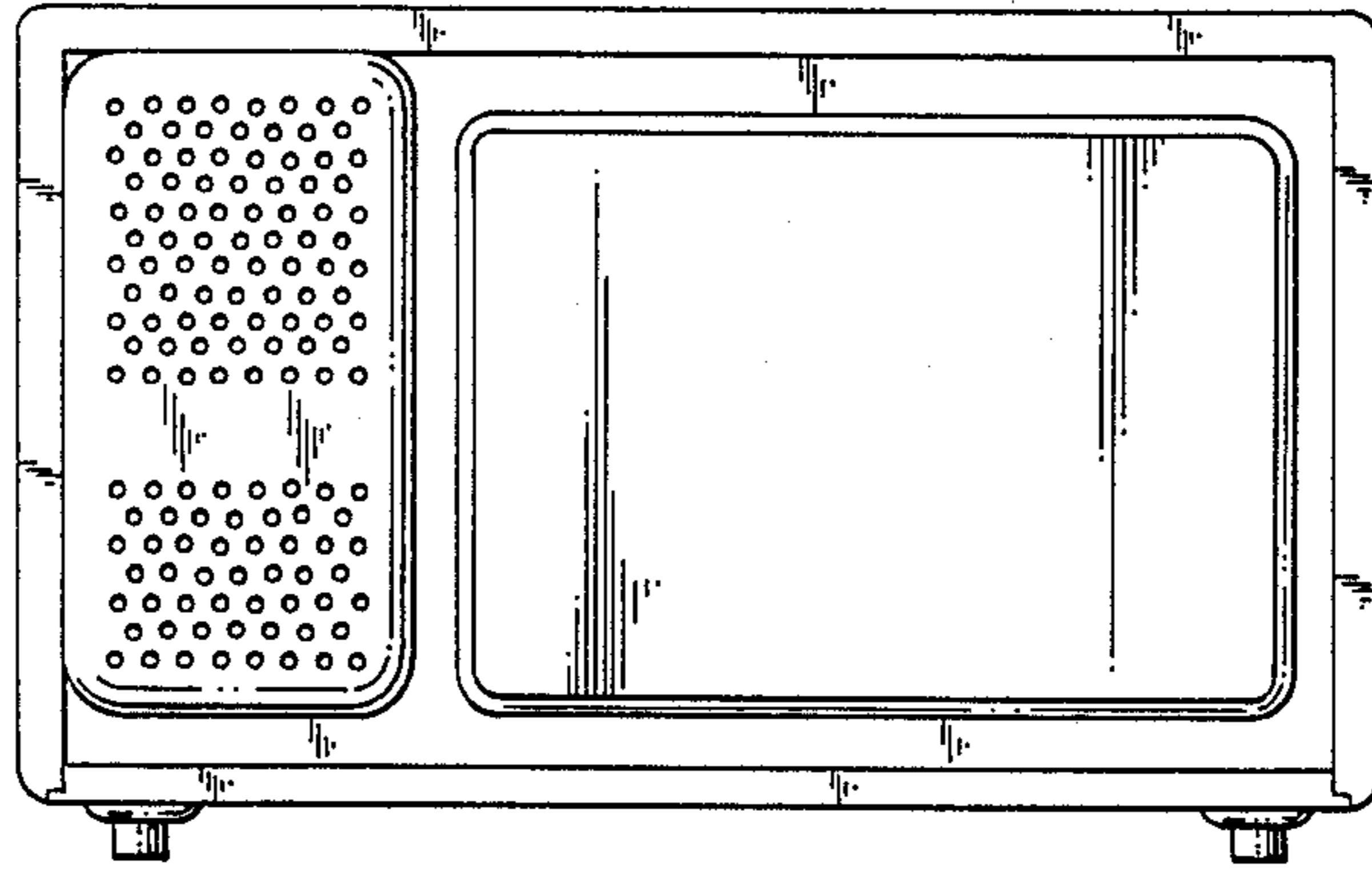


FIG. 6

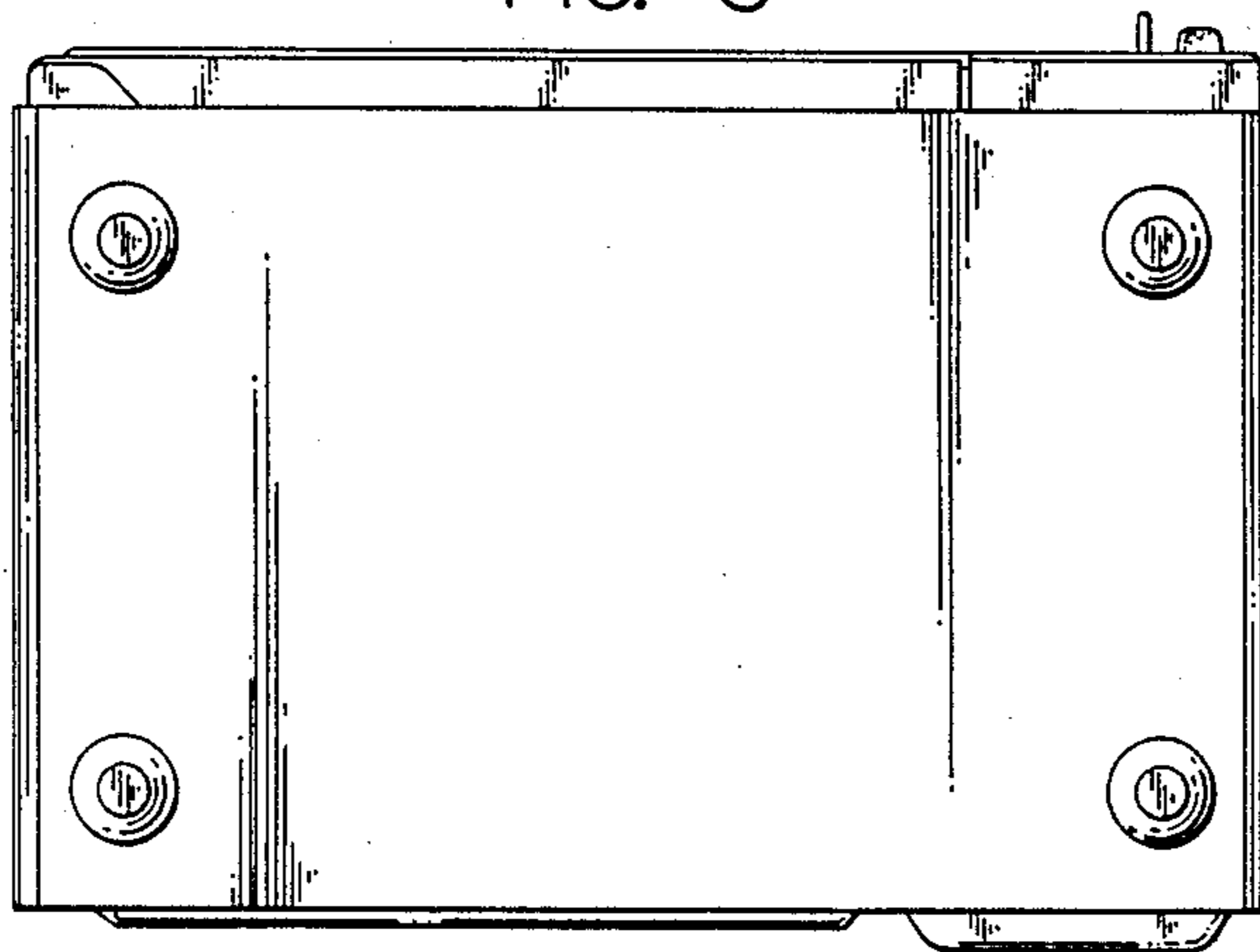


FIG. 7

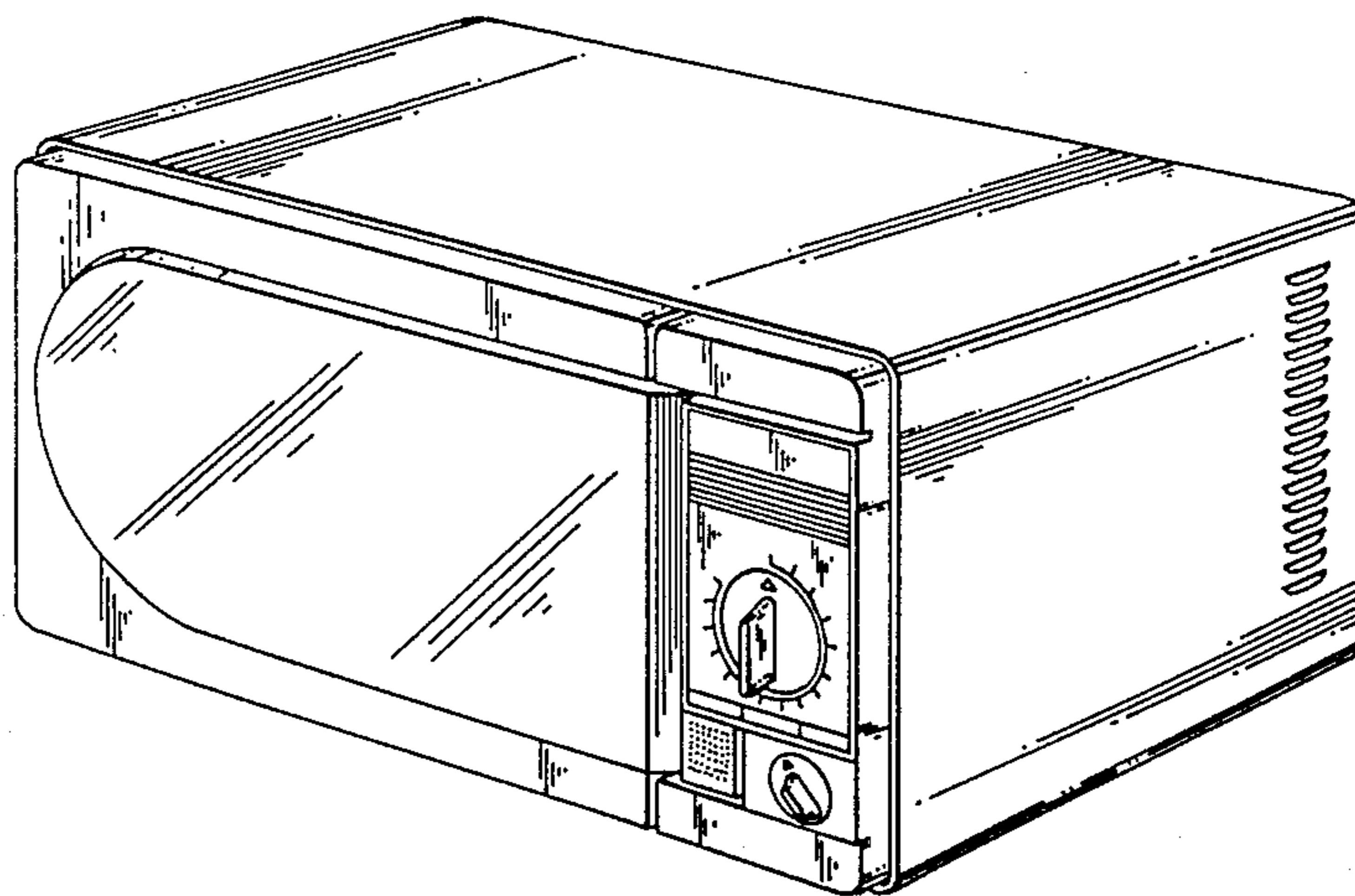


FIG. 8

