

[54] **WRENCH RACK** 4,586,616 5/1986 Cooper et al. 211/87

[75] Inventors: **Donald Embree, Copley; David L. Hamann, Cincinnati, both of Ohio**

[73] Assignee: **Rubbermaid Incorporated, Wooster, Ohio**

[**] Term: **14 Years**

[21] Appl. No.: **232,508**

[22] Filed: **Aug. 15, 1988**

[52] U.S. Cl. **D6/569**

[58] Field of Search **D6/512, 552-553, D6/567, 569, 572; 211/13, 60.1, 65-66, 70.3, 70.5-70.7, 86-87**

4,586,616 5/1986 Cooper et al. 211/87

OTHER PUBLICATIONS

Sell Sheet, Flair, address unknown, publication date unknown.

Sell Sheet, The Hirsh Company, 8051 Central Park Avenue, Skokie, Ill. 60076, publication date 1986.

Primary Examiner—Wallace R. Burke
Assistant Examiner—Brian N. Vinson
Attorney, Agent, or Firm—Richard B. O’Planick

[57] **CLAIM**

The ornamental design for a wrench rack, as shown and described.

DESCRIPTION

FIG. 1 is a top, front, and right side perspective view of a wrench rack showing our new design;

FIG. 2 is a left side elevational view thereof, the right side being a mirror image of that shown;

FIG. 3 is a top plan view thereof;

FIG. 4 is a bottom plan view thereof;

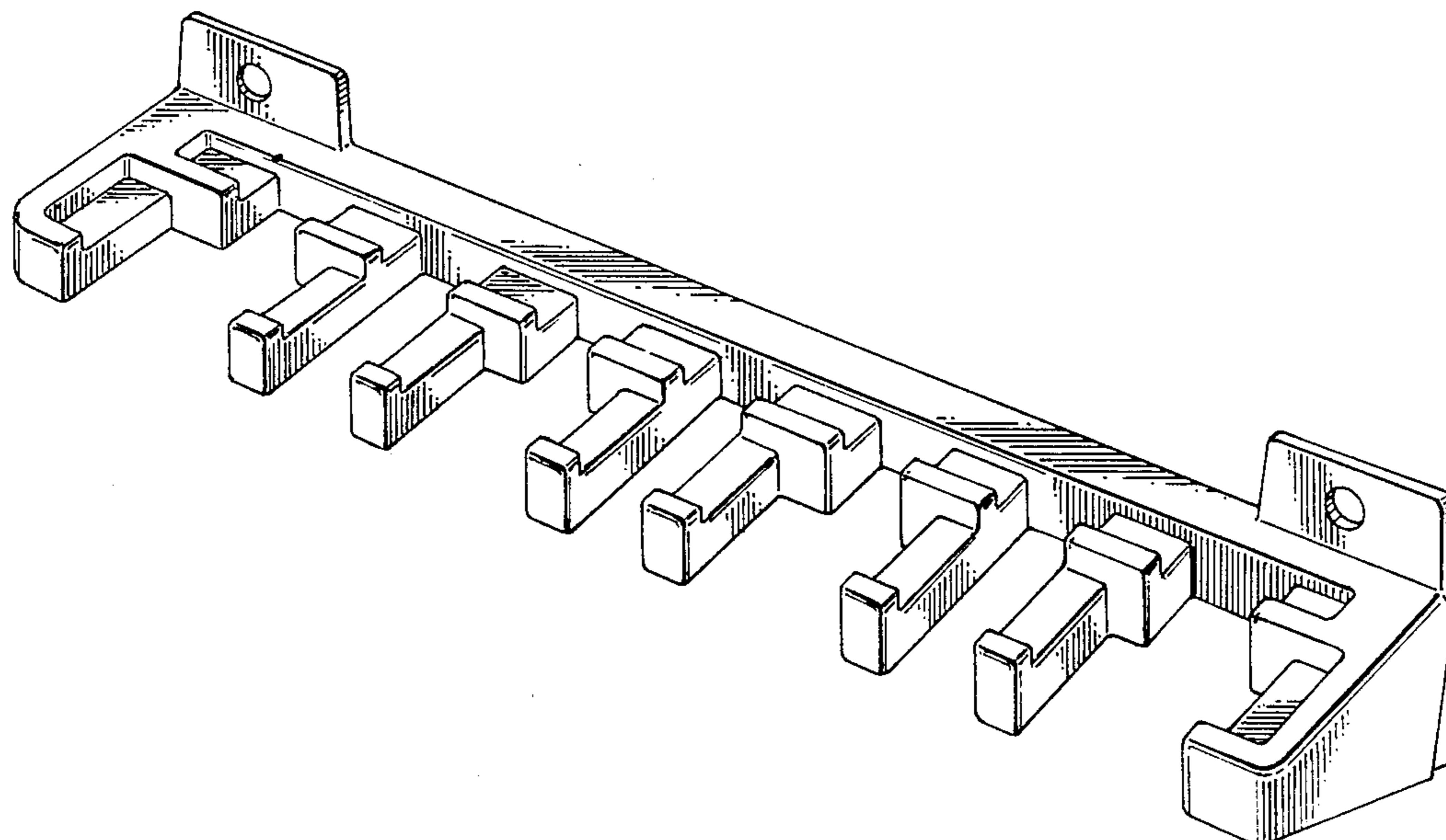
FIG. 5 is a rear elevational view thereof; and

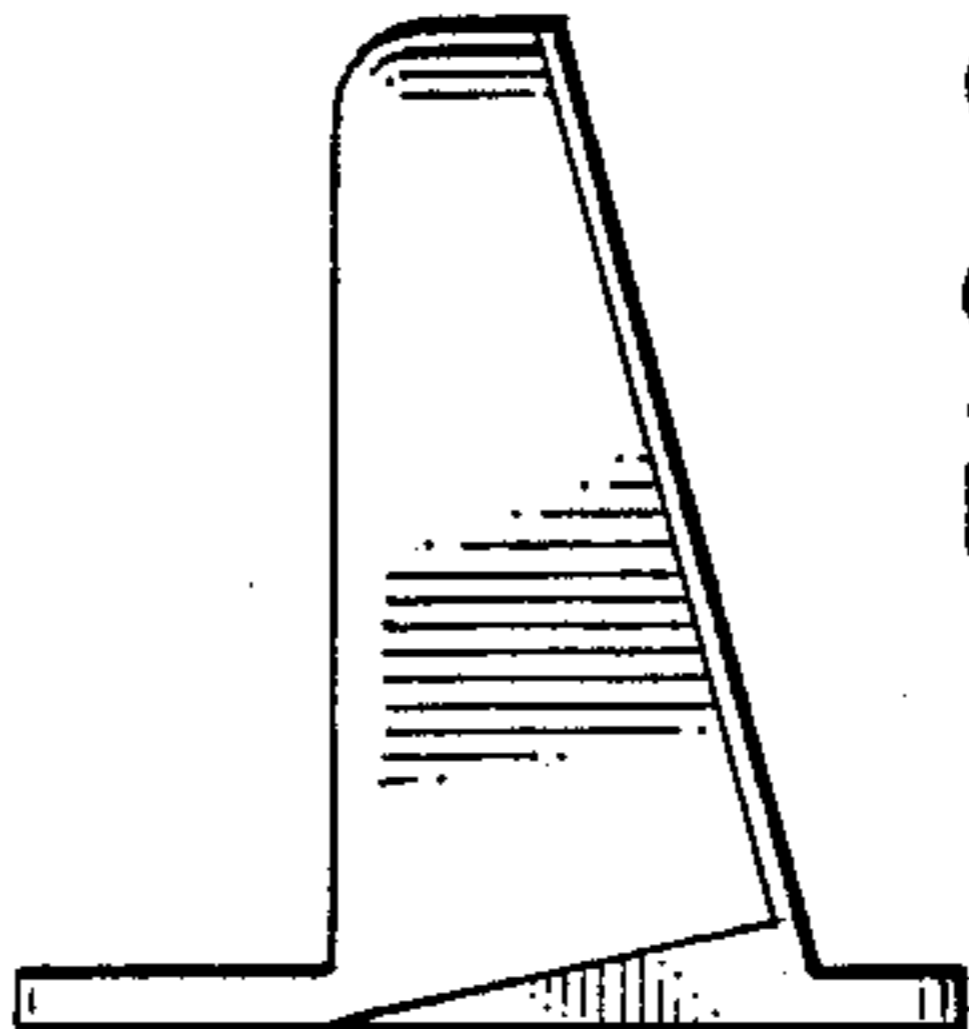
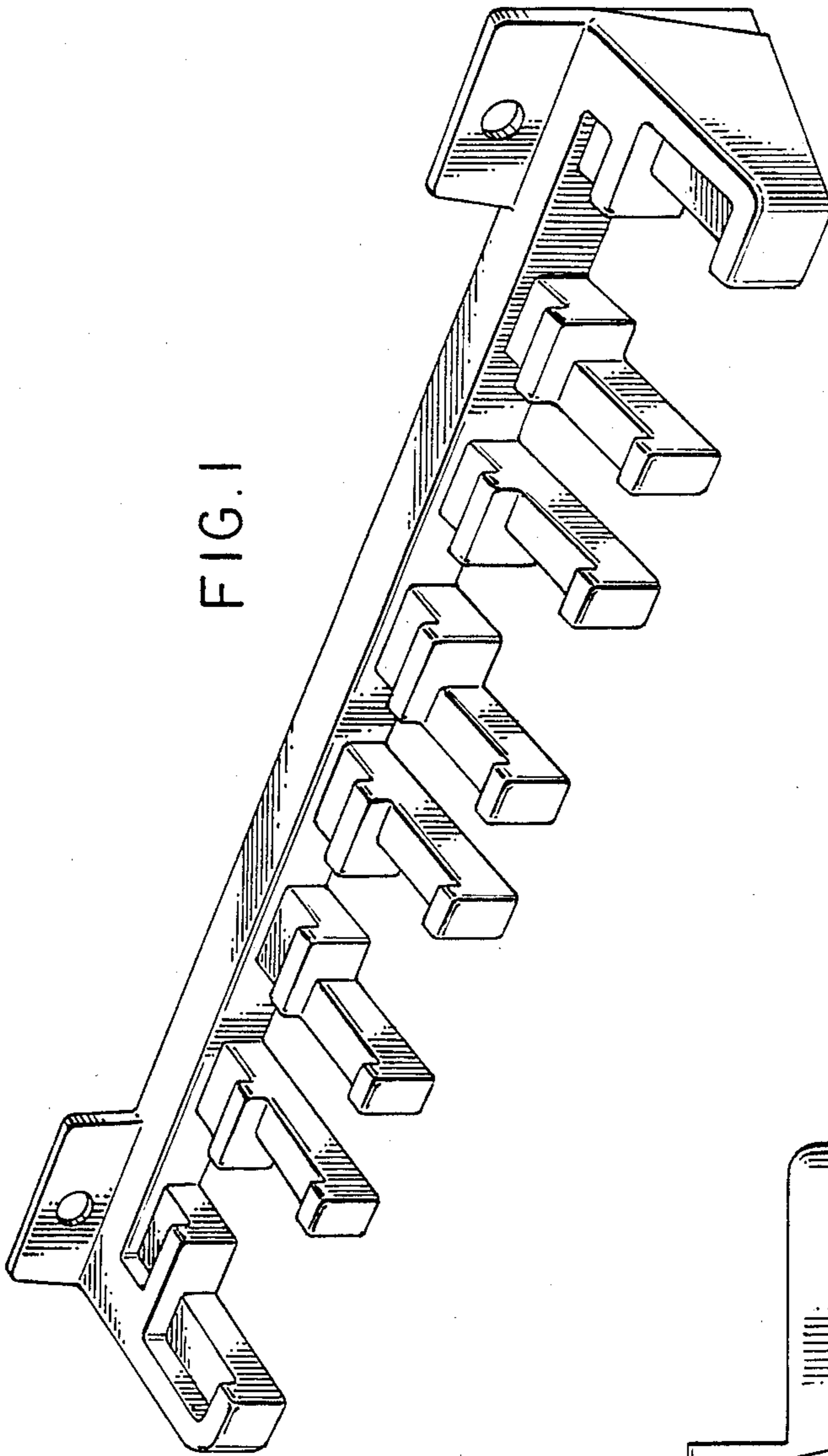
FIG. 6 is a front elevational view thereof.

[56] **References Cited**

U.S. PATENT DOCUMENTS

D. 218,771	9/1970	Harris	D6/512
D. 251,819	5/1979	Nuttall et al.	D6/569
D. 294,548	3/1988	Wallace	D6/569 X
D. 294,668	3/1988	Handler et al.	D6/569 X
D. 299,481	1/1989	Handler et al. .	
2,974,804	3/1961	Maro	211/70.6
3,603,551	9/1971	Peterson	211/70.6





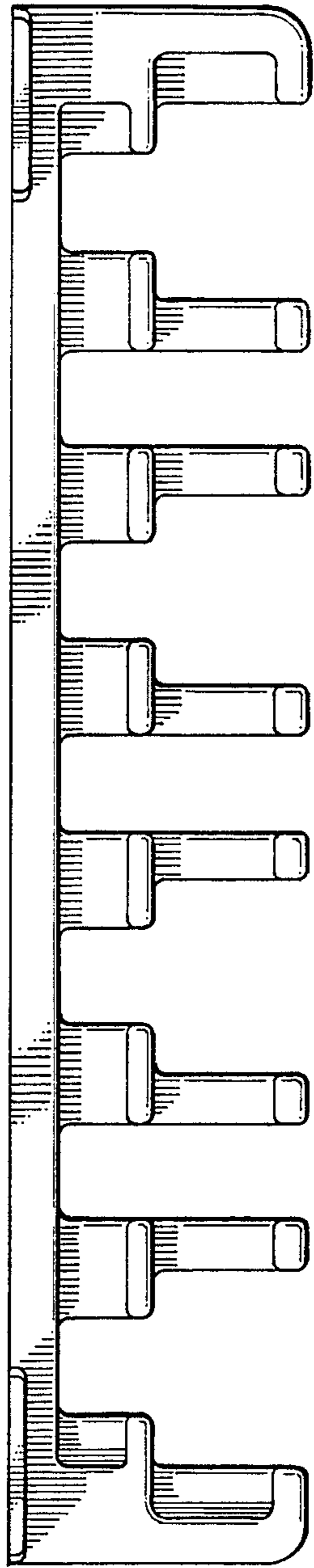


FIG. 3

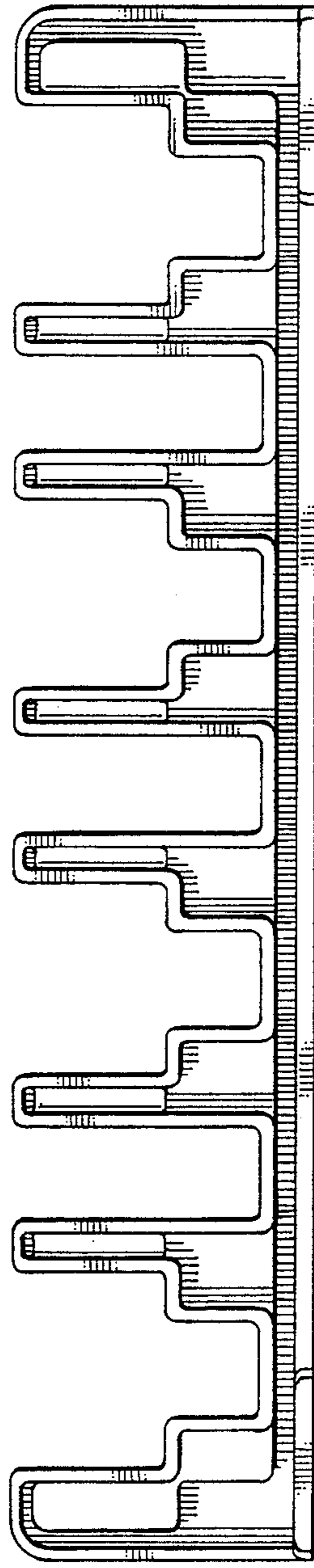


FIG. 4

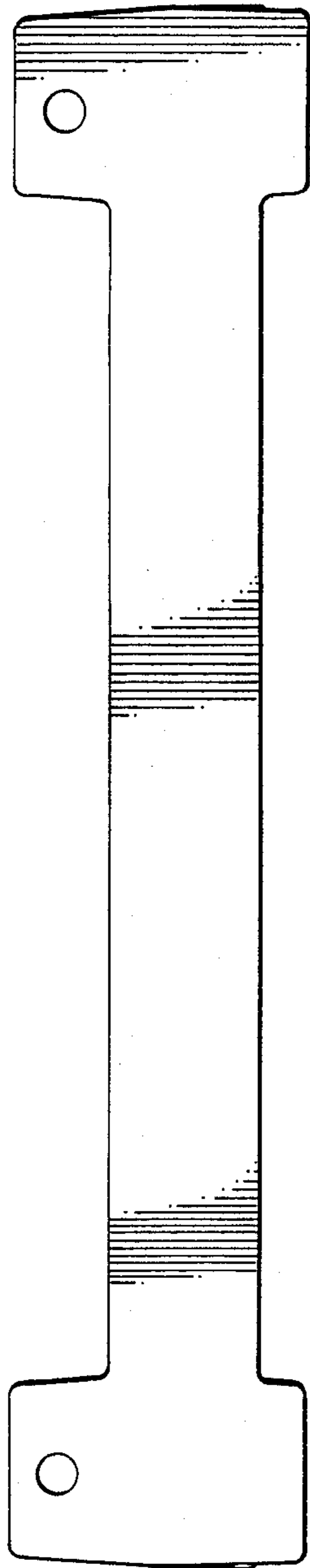


FIG. 5

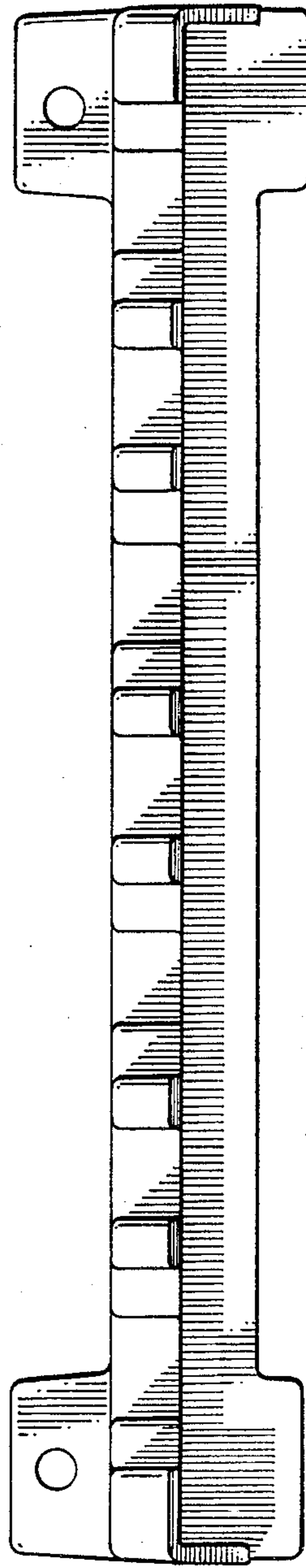


FIG. 6