

[54] TOILET PAPER DISPENSER

[75] Inventor: Carl-Arne Breger, Malmö, Sweden

[73] Assignee: Holmens Bruk Aktiebolag, Norrköping, Sweden

[**] Term: 14 Years

[21] Appl. No.: 247,330

[22] Filed: Sep. 21, 1988

[30] Foreign Application Priority Data

Mar. 22, 1988 [SE] Sweden 88-0739

[52] U.S. Cl. D6/523

[58] Field of Search D6/515, 518, 520, 522-523, D6/524; 221/282-283, 287, 30, 45, 92; 242/55.2, 55.3, 55.53; 222/99-100, 105, 173, 180-181

[56] References Cited

U.S. PATENT DOCUMENTS

D. 215,560 10/1969 Glass D6/522

| | | | | |
|------------|---------|------------|-------|-----------|
| D. 255,733 | 7/1980 | Benjamin | | D6/522 |
| D. 263,180 | 3/1982 | Herbst | | D6/522 |
| D. 263,181 | 3/1982 | Thompson | | D6/523 |
| D. 299,602 | 1/1989 | Nordlander | | D6/518 |
| 3,843,218 | 10/1974 | Krueger | | 242/55.53 |
| 4,179,078 | 12/1979 | Mansfield | | 242/55.53 |

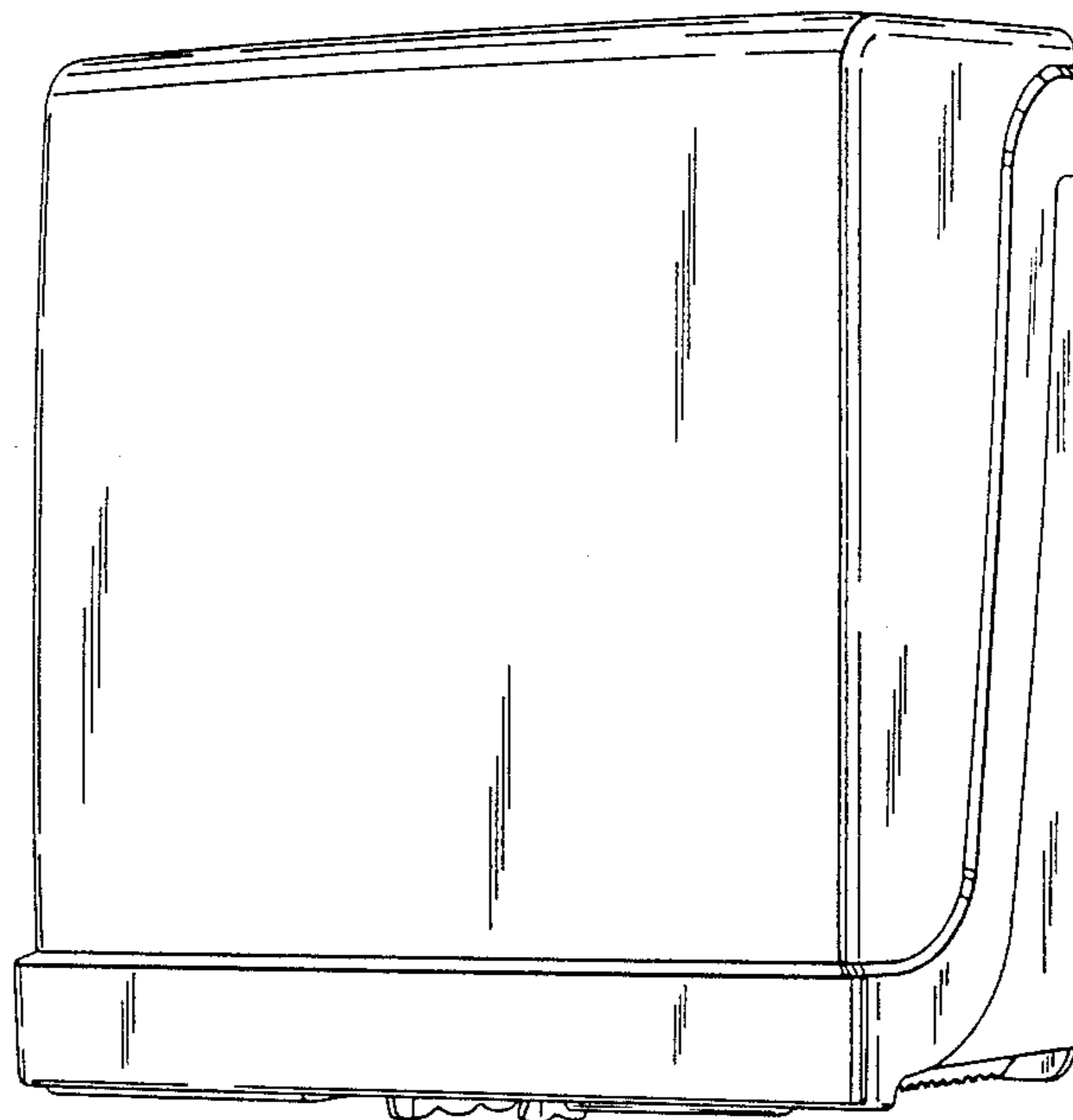
Primary Examiner—Wallace R. Burke
Assistant Examiner—Brian N. Vinson
Attorney, Agent, or Firm—Nils H. Ljungman & Associates

[57] CLAIM

The ornamental design for a toilet paper dispenser, as shown and described.

DESCRIPTION

FIG. 1 is a front and right side perspective view of a toilet paper dispenser showing my new design; FIG. 2 is a top, front, and left side perspective view thereof; and FIG. 3 is a bottom, rear, and right side perspective view thereof.



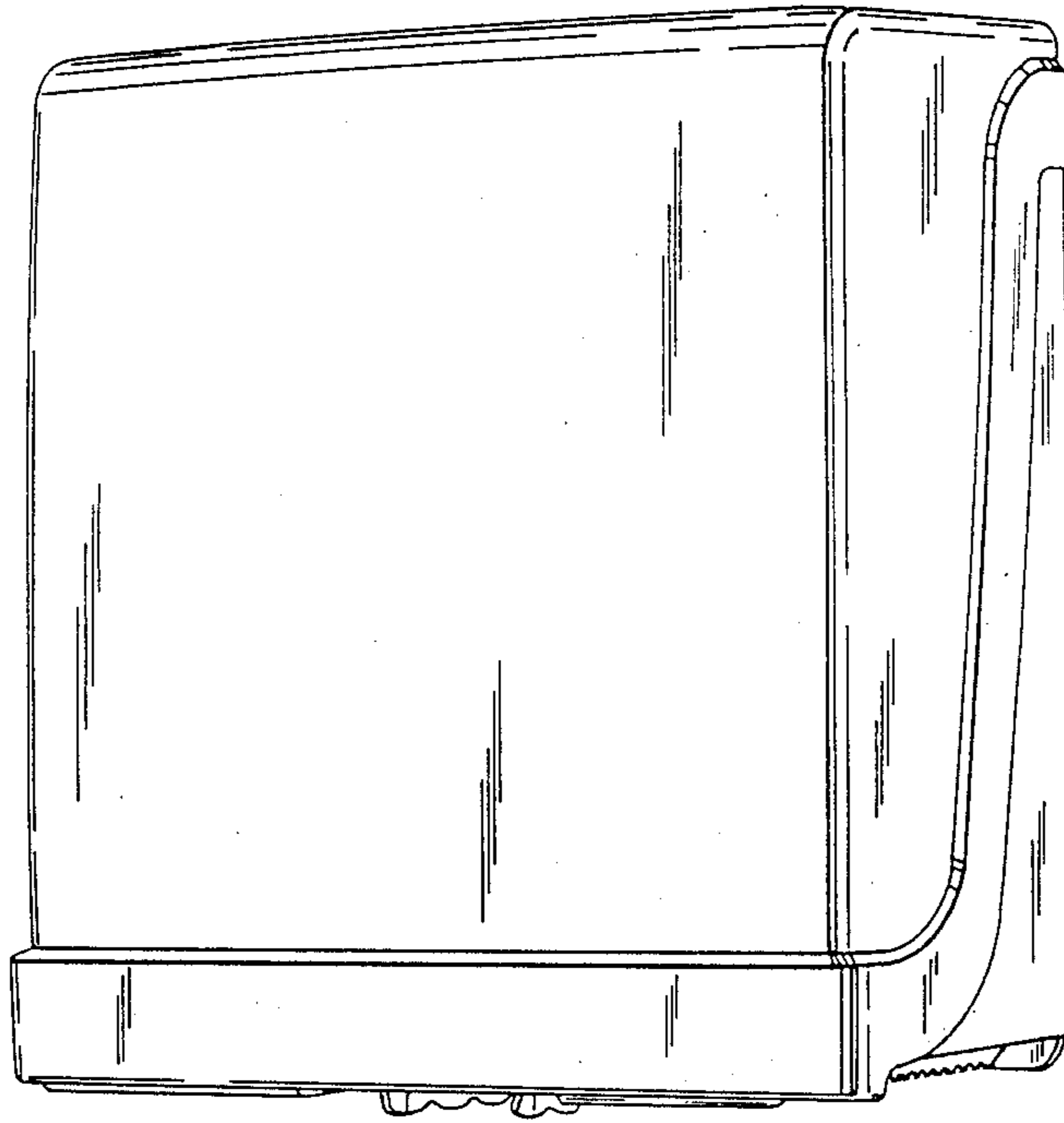


Fig. 1

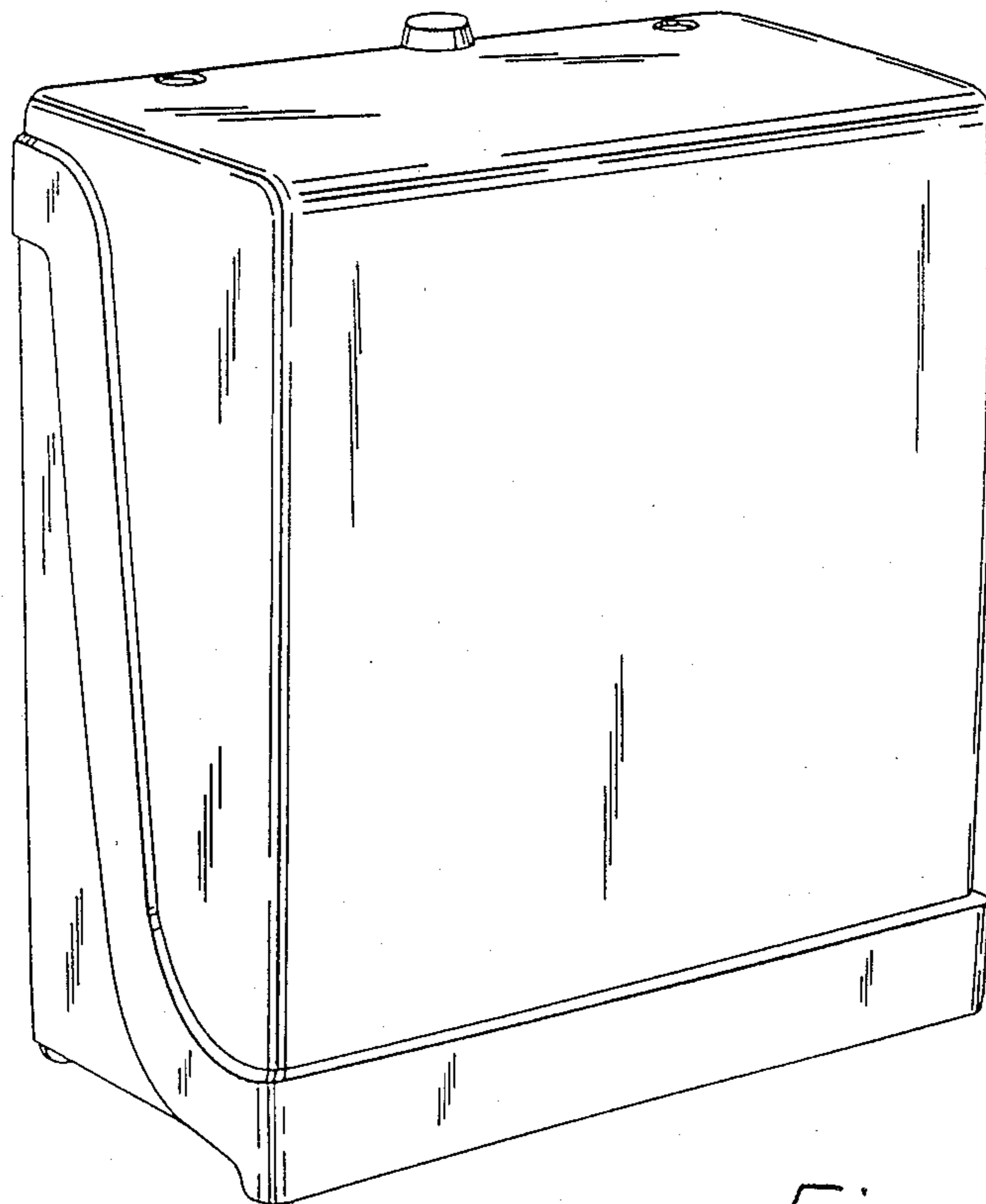


Fig. 2

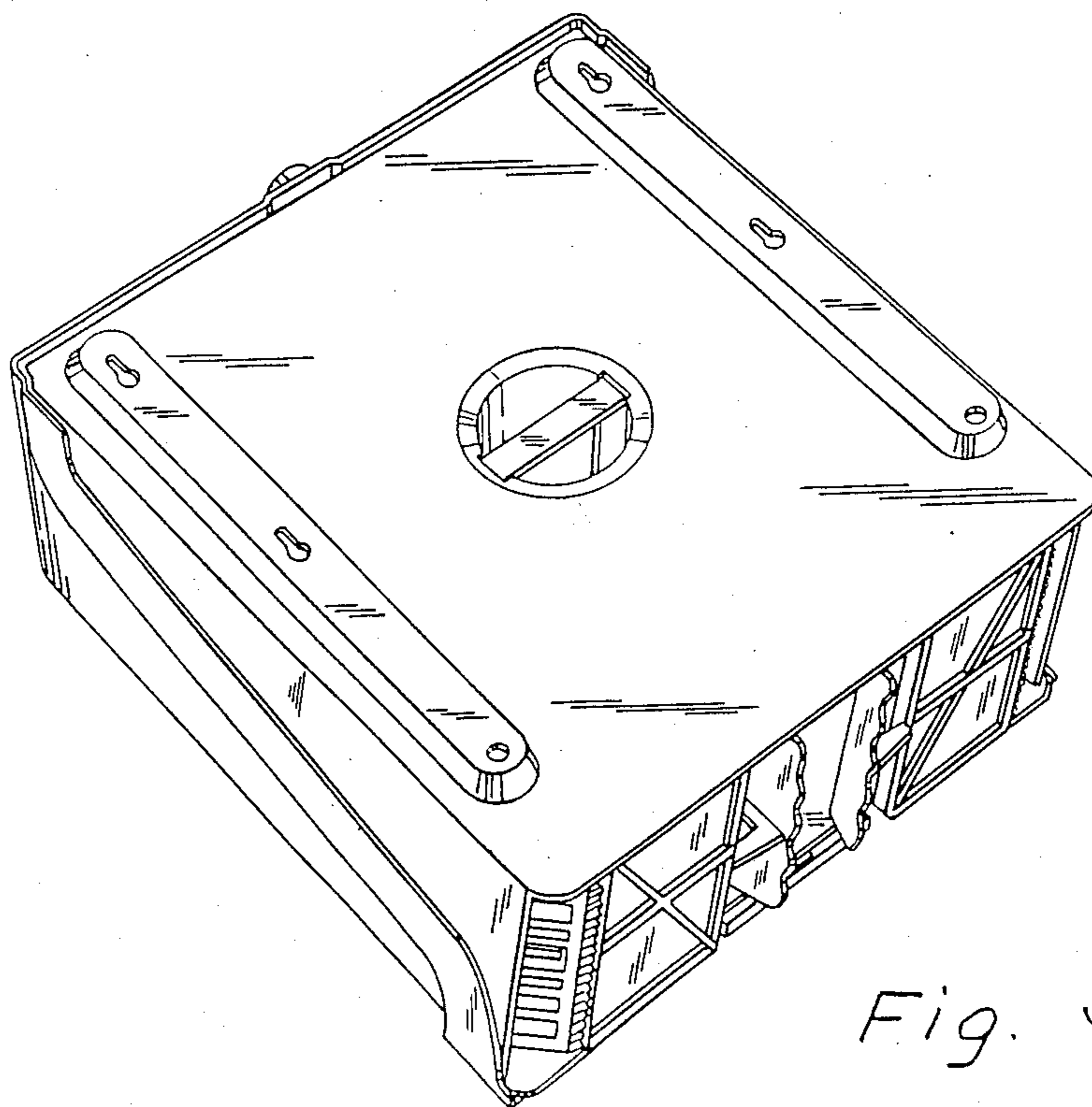


Fig. 3