

[54] **ROLLER DISPENSER**

[75] **Inventor: Carl-Arne Breger, Malmö, Sweden**

[73] **Assignee: Holmens Bruk Aktiebolag,
Norrköping, Sweden**

[**] **Term: 14 Years**

[21] **Appl. No.: 247,329**

[22] **Filed: Sep. 21, 1988**

[30] **Foreign Application Priority Data**

Mar. 22, 1988 [SE] Sweden 880738

[52] **U.S. Cl. D6/518**

[58] **Field of Search D6/512, 515, 518, 522-523,
D6/524; 221/282-283; 222/173, 180-181,
99-102, 105**

[56] **References Cited**

U.S. PATENT DOCUMENTS

- D. 255,733 7/1980 Benjamin D6/522
- D. 263,180 3/1982 Herbst D6/522
- D. 288,161 2/1987 Payne, Jr. et al. D6/518 X

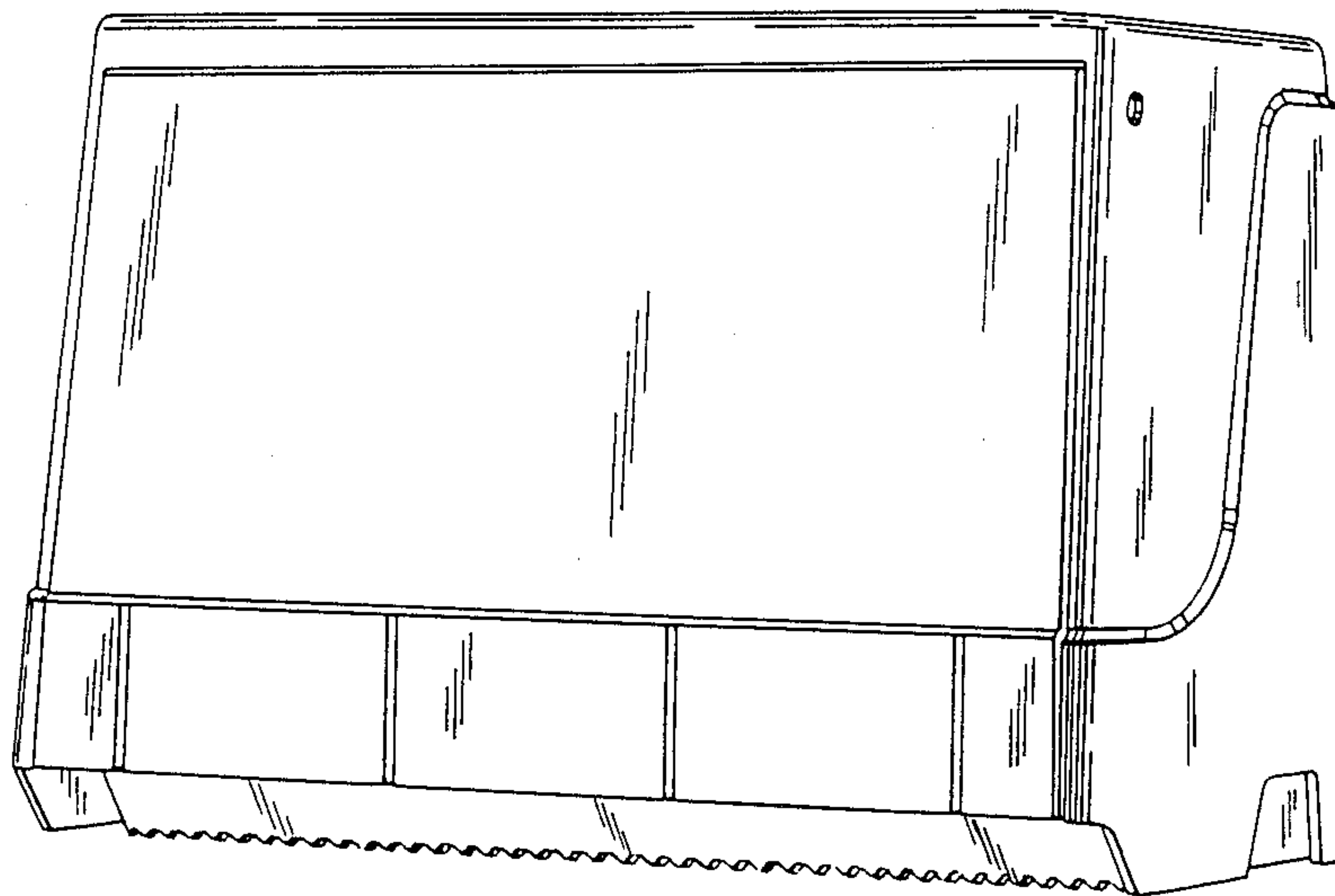
Primary Examiner—Wallace R. Burke
Assistant Examiner—Brian N. Vinson
Attorney, Agent, or Firm—Nils H. Ljungman & Associates

[57] **CLAIM**

The ornamental design for a roller dispenser, as shown and described.

DESCRIPTION

FIG. 1 is a top, front, and left side perspective view of a roller dispenser showing my new design;
FIG. 2 is a front and right side perspective view thereof; and
FIG. 3 is a bottom, rear, and right side perspective view thereof.



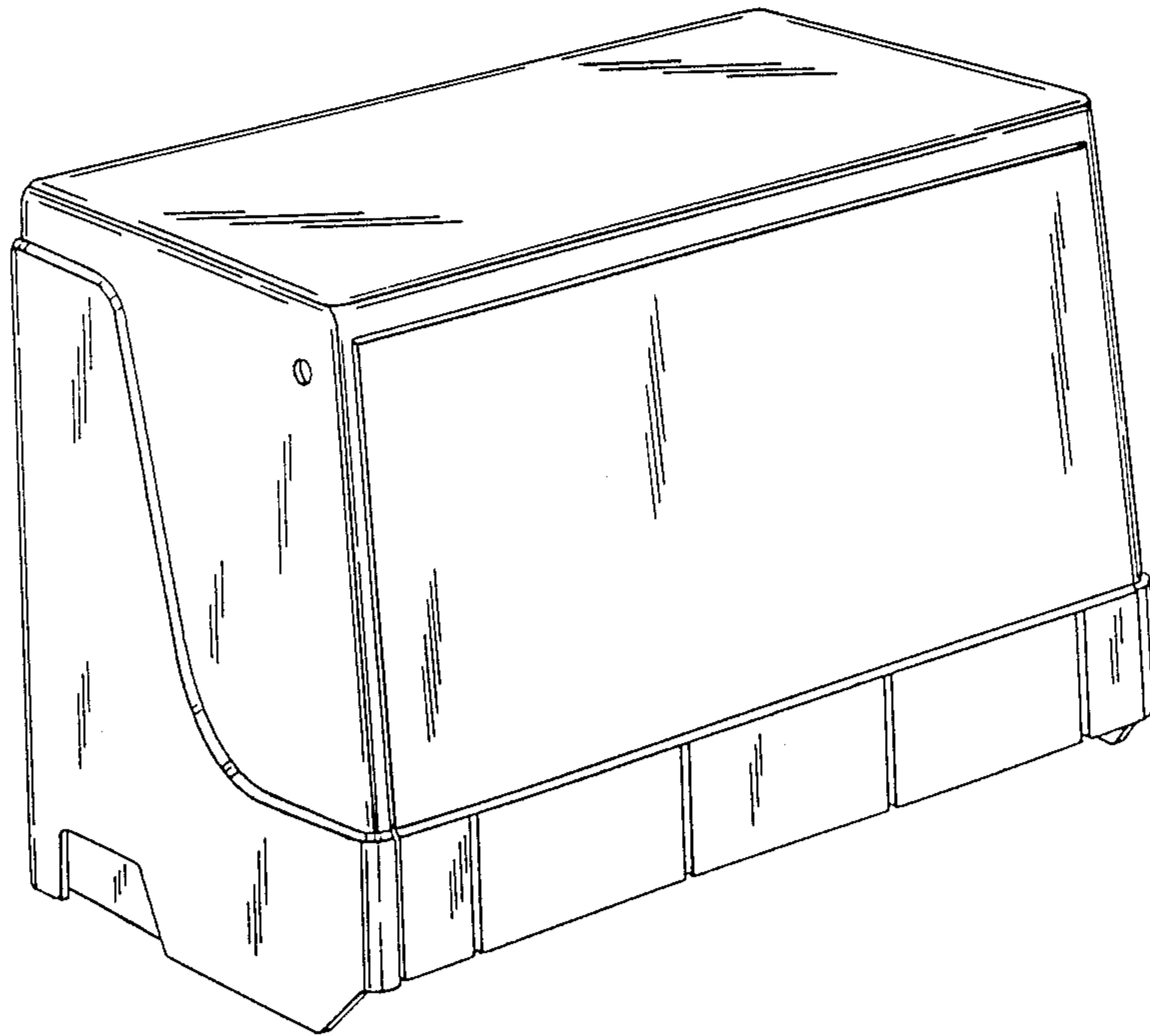


Fig. 1

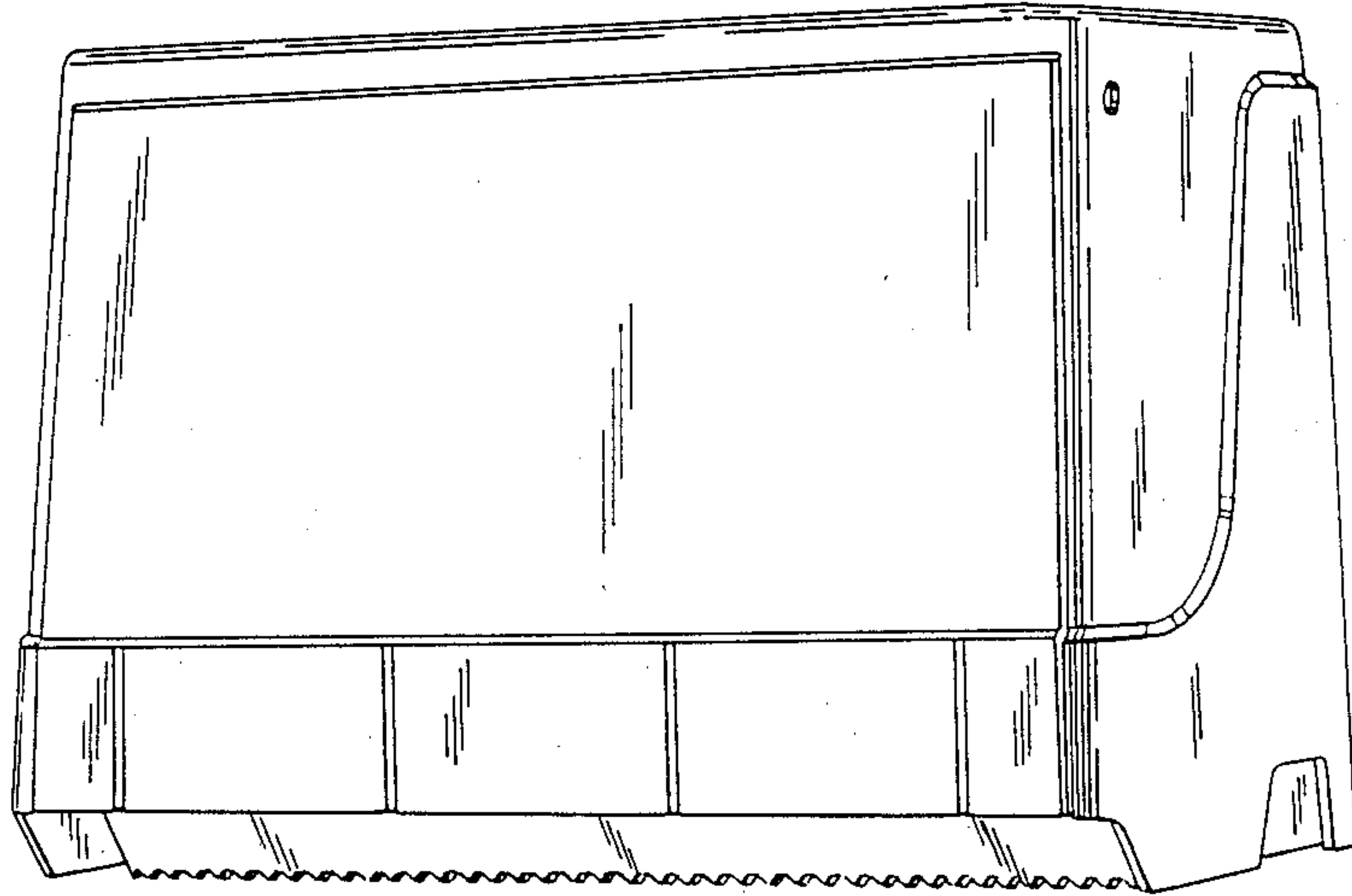


Fig. 2

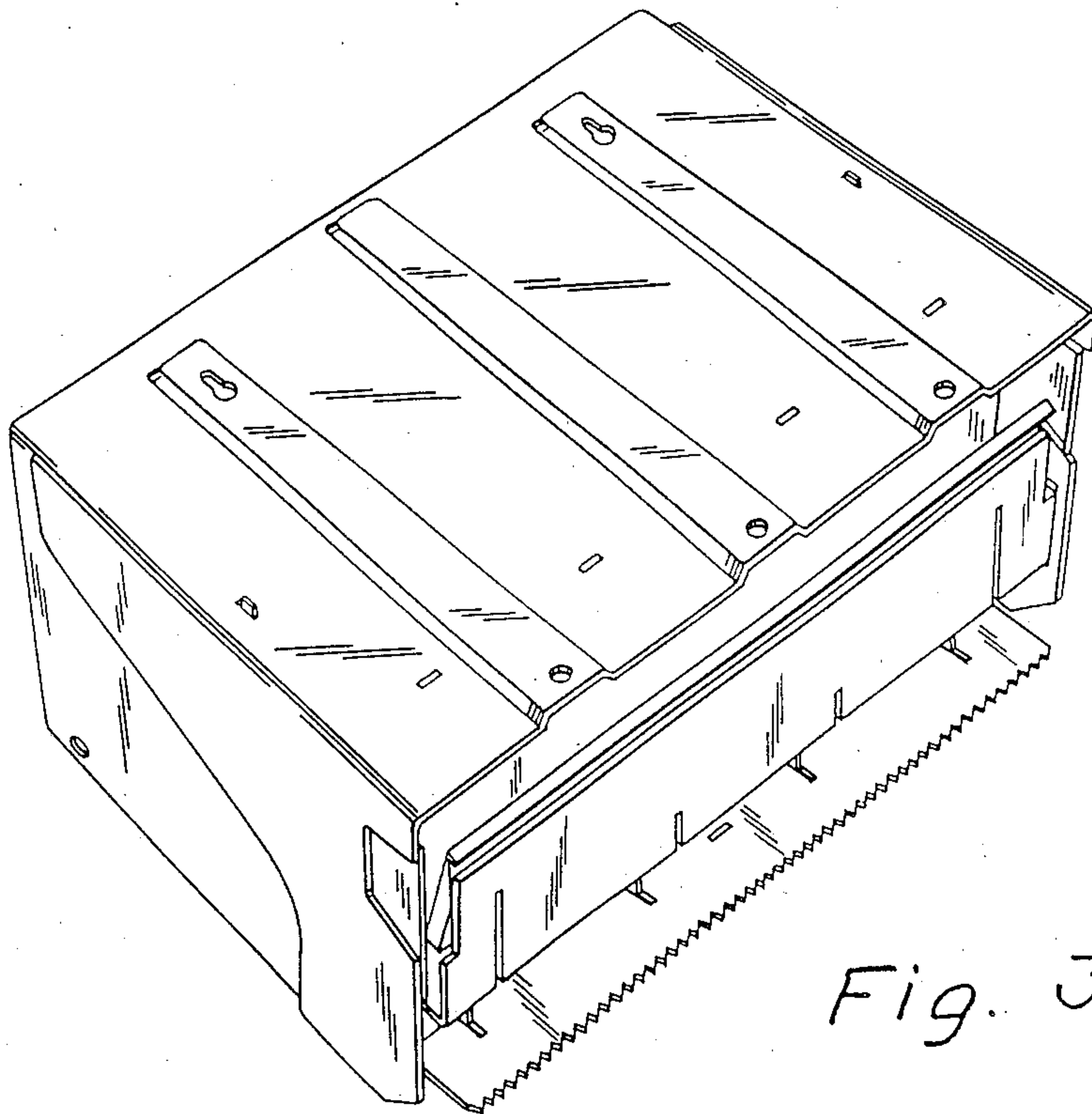


Fig. 3