

[54] **SUPPORT STAND FOR USE IN X-RAYING A HUMAN FOOT**

[76] **Inventor: Kevin A. Kirby, 3577 Imperial Way, Sacramento, Calif. 95826**

[**] **Term: 14 Years**

[21] **Appl. No.: 59,689**

[22] **Filed: Jun. 8, 1987**

[52] **U.S. Cl. D6/349; D24/2; D30/104; D6/480**

[58] **Field of Search D6/480, 484, 488, 429, D6/460, 349; D24/3, 2; D30/104**

[56] **References Cited**

U.S. PATENT DOCUMENTS

D. 96,633	8/1935	Swanson	D6/480
D. 159,661	8/1950	Newcome	D30/104
D. 197,776	3/1964	Ritts	D6/480
D. 225,712	1/1973	McDonald	D6/484
D. 225,950	1/1973	Kienel	D6/480
D. 258,986	4/1981	Byrum	D24/3

D. 260,567	9/1981	Holec	D30/104
D. 295,474	5/1988	Uredat-Neuhoff	D6/484

Primary Examiner—Bruce W. Dunkins
Assistant Examiner—Janice Seeger
Attorney, Agent, or Firm—Lothrop & West

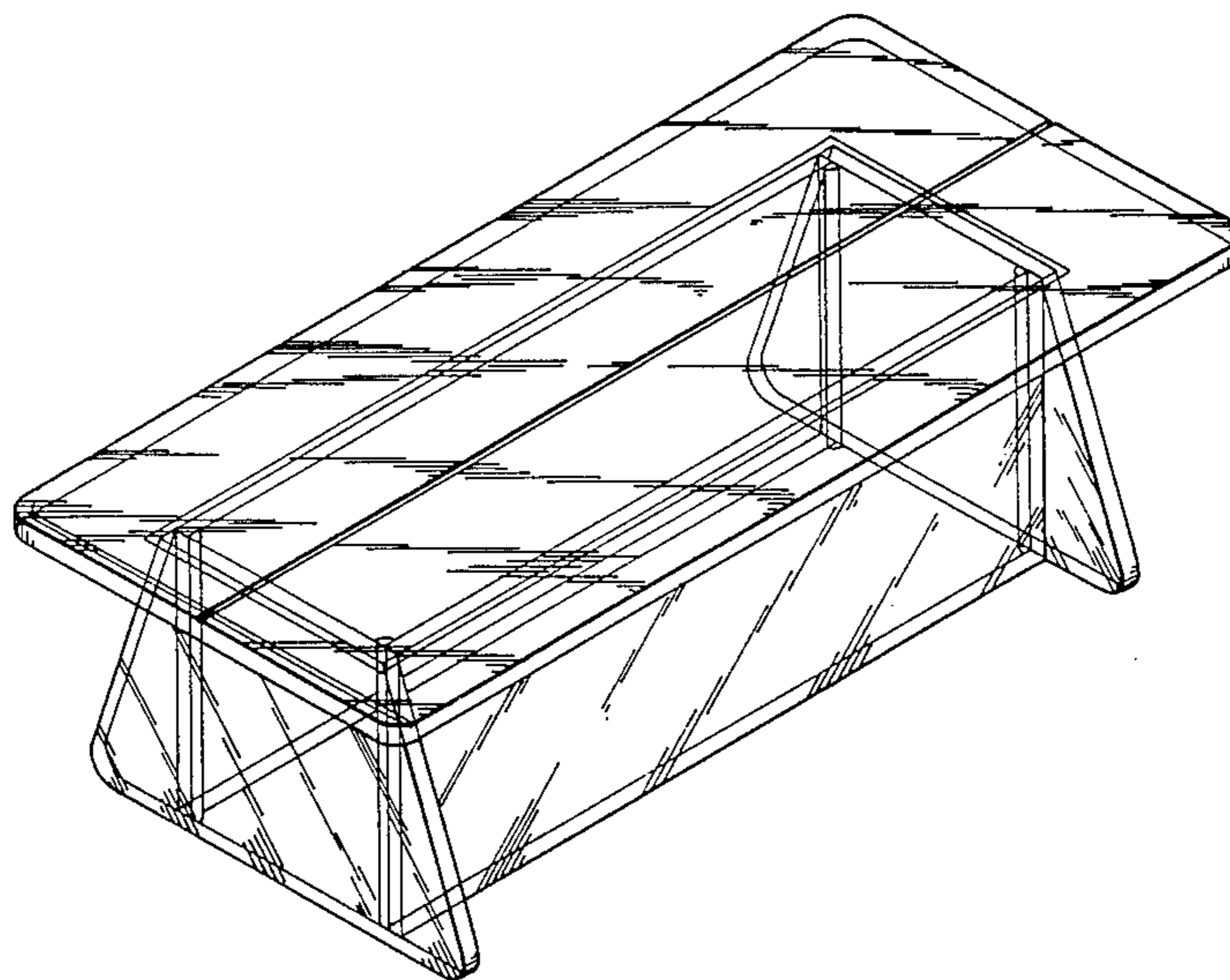
[57] **CLAIM**

The ornamental design for a support stand for use in X-raying a human foot, as shown and described.

DESCRIPTION

FIG. 1 is a perspective view of a support stand for use in X-raying a human foot showing my new design; FIG. 2 is a side elevational view thereof, the opposite side view being a mirror image of the figure shown; FIG. 3 is an end elevational view thereof, the opposite end view being the same as the figure shown; FIG. 4 is a top plan view thereof; and, FIG. 5 is a bottom plan view thereof.

The claimed design invention is visually and radio-transparent except for the transverse horizontal visual and radio-opaque wire embedded near the after end of the foot supporting platform.



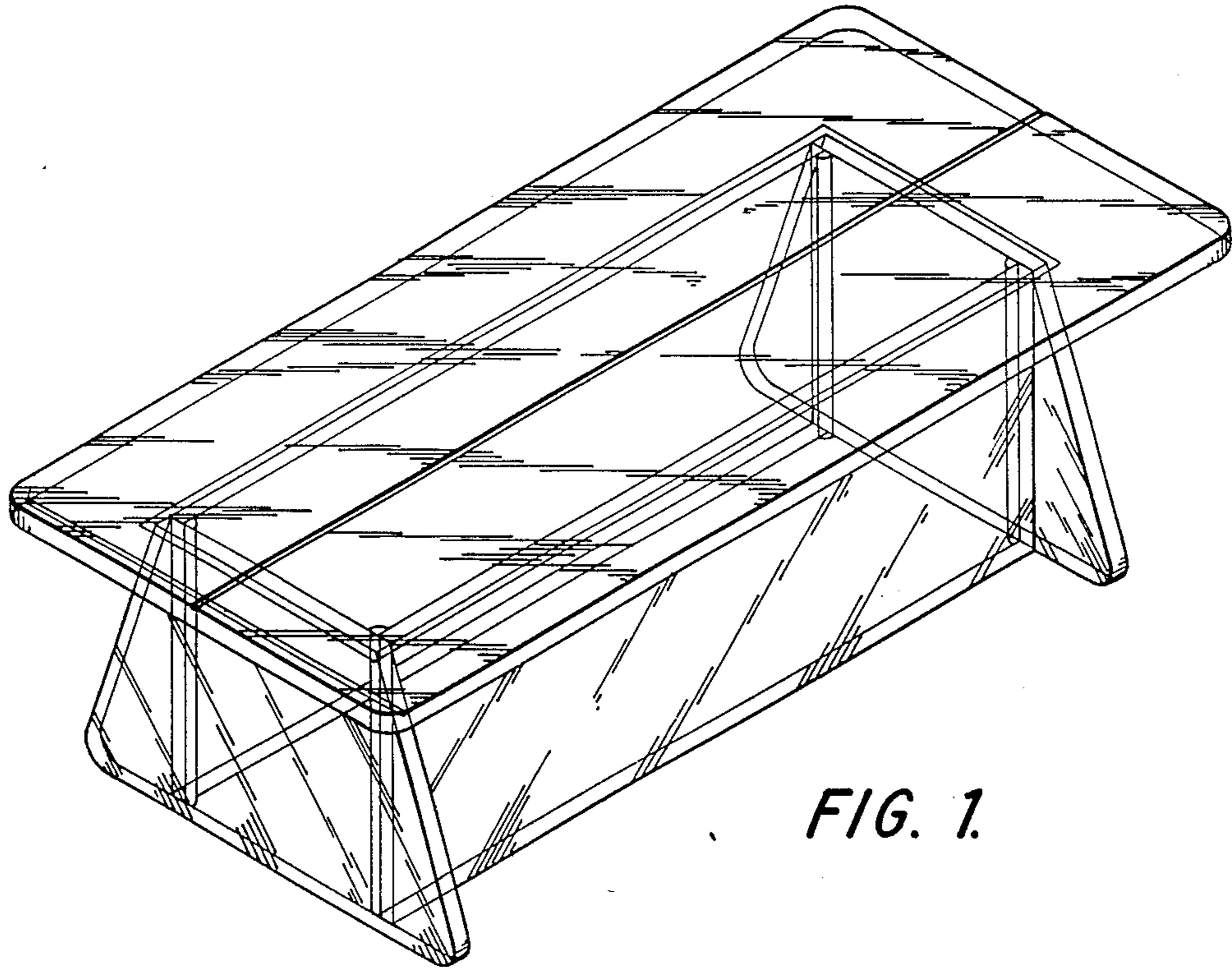


FIG. 1.

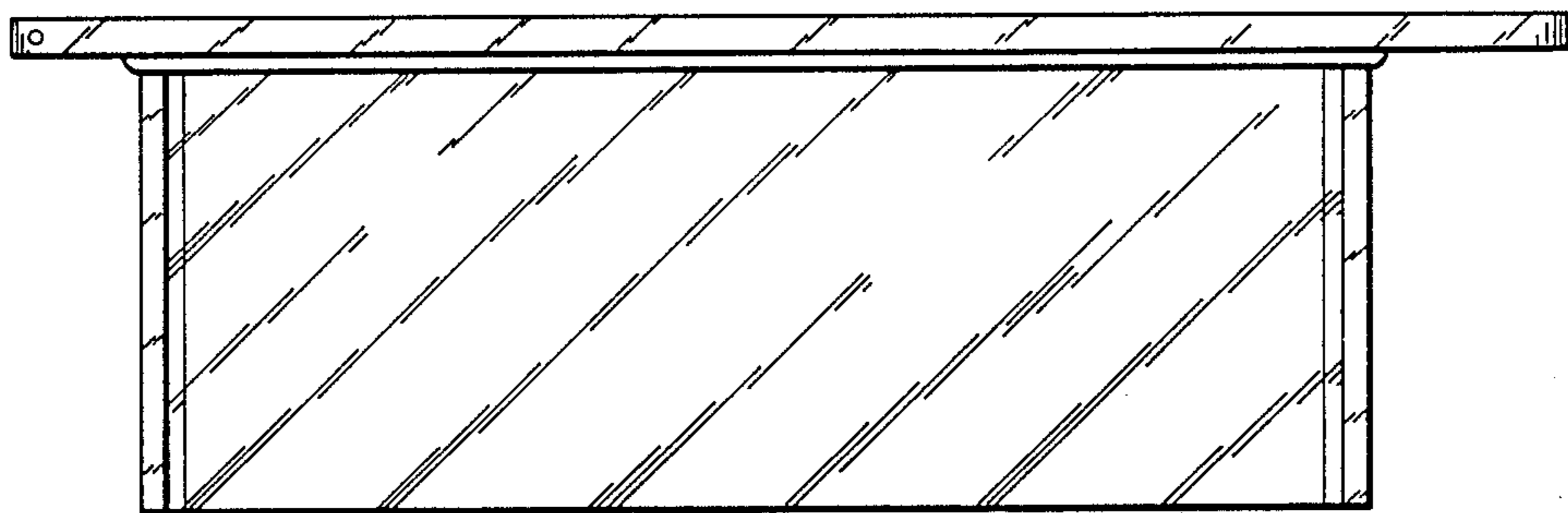


FIG. 2.

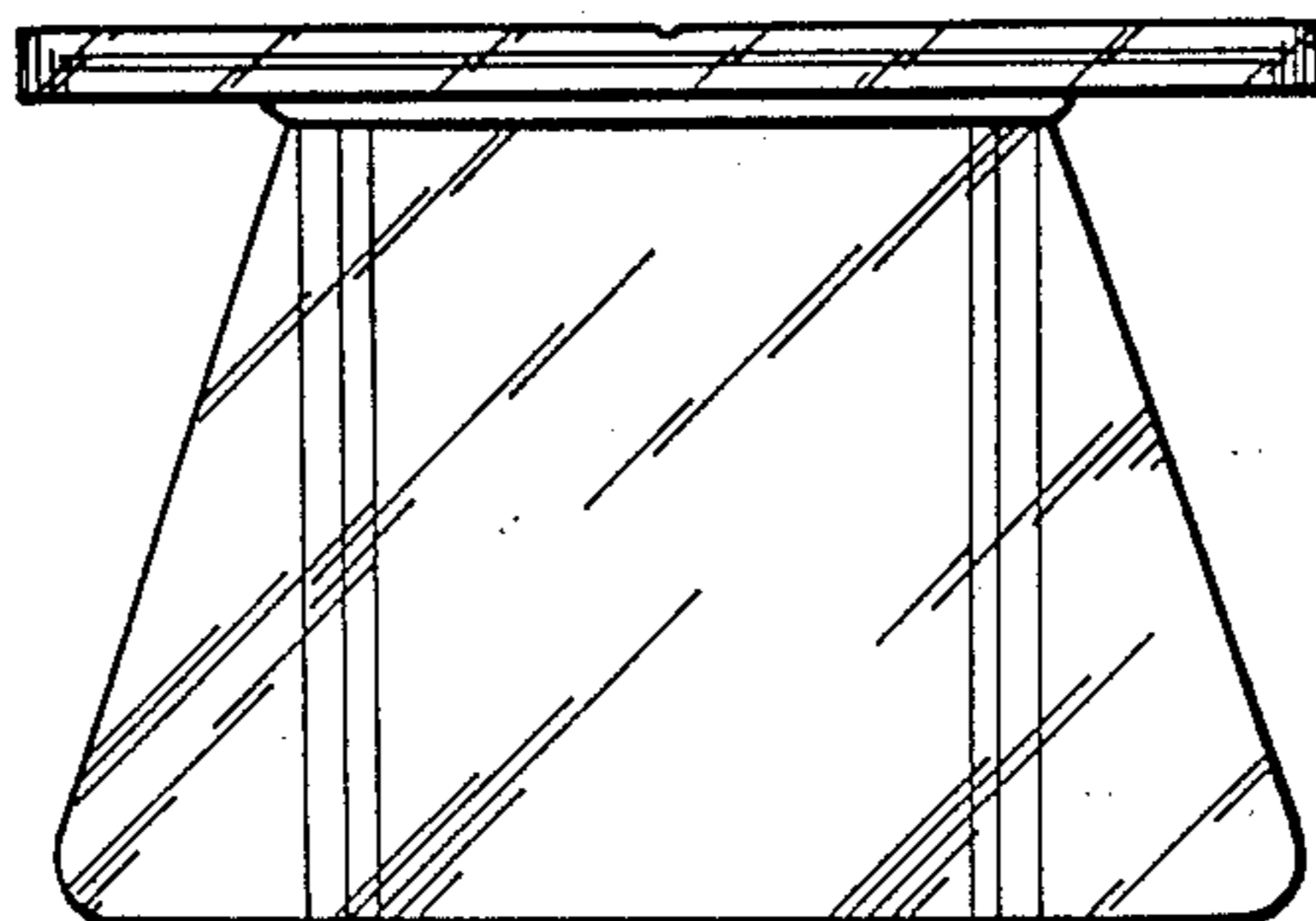


FIG. 3.

FIG. 4.

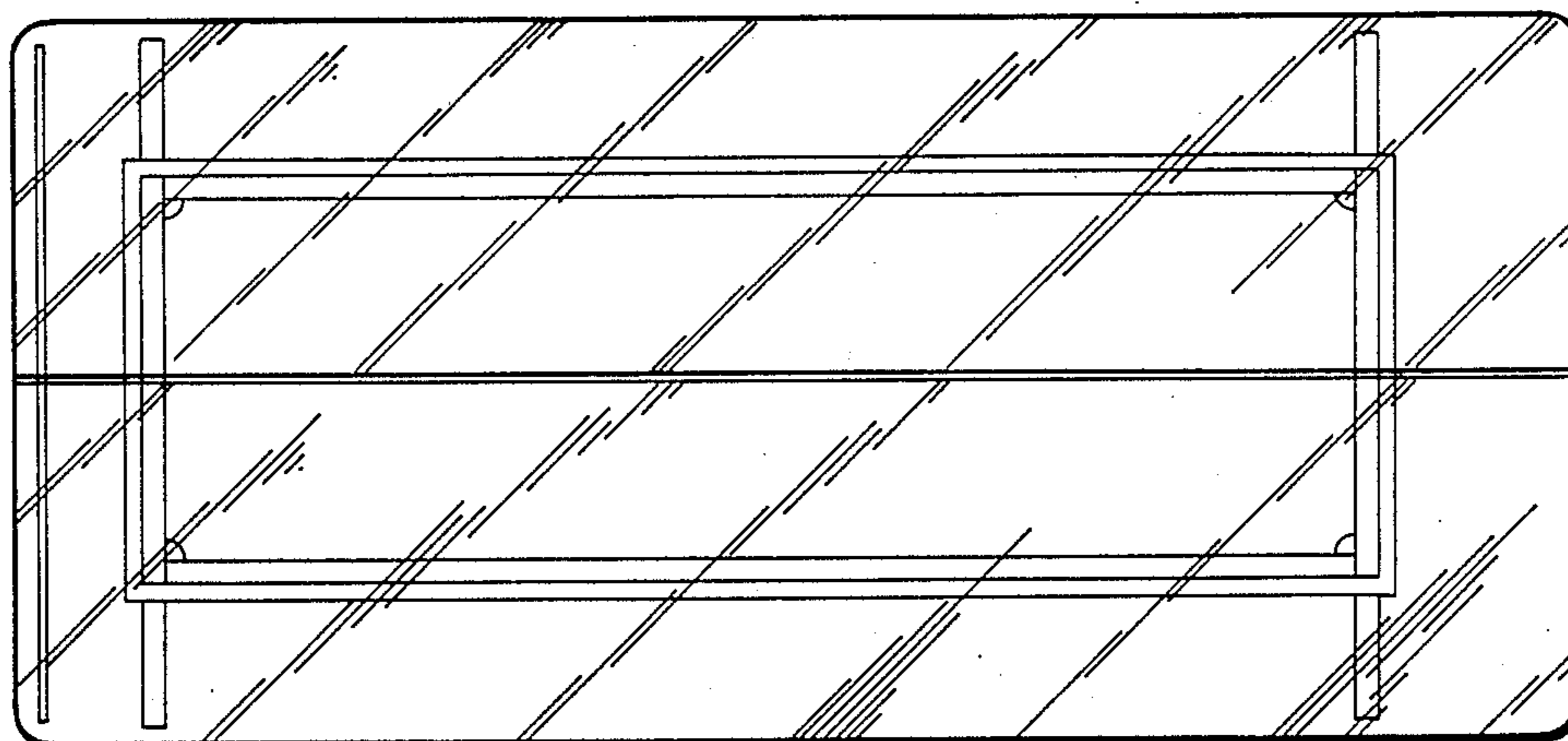


FIG. 5.

