

[54] TOOL CADDY

[75] Inventors: Jane Ancona; Bruce Ancona, both of New York, N.Y.

[73] Assignee: M. Kamenstein, Inc., White Plains, N.Y.

[**] Term: 14 Years

[21] Appl. No.: 446,171

[22] Filed: Dec. 5, 1989

[52] U.S. Cl. D34/44

[58] Field of Search D34/40-46; D9/341, 337, 347, 430; D8/499; D3/30.1, 105, 74; 211/70.1, 70.6; 312/DIG. 33; 294/146, 159; 206/372, 562, 373, 375, 349, 230

[56] References Cited

U.S. PATENT DOCUMENTS

- D. 173,414 11/1954 Dow D3/74
- D. 212,315 9/1968 Taylor .
- D. 212,995 12/1968 Myers .
- D. 218,722 9/1970 Vaccaro .
- D. 229,123 11/1973 Wooster D34/44
- D. 259,446 6/1981 Sullivan .
- D. 265,941 8/1982 Allison et al. D34/45
- D. 270,867 10/1983 Keohan .
- 1,469,938 10/1923 Kennedy 206/373
- 2,525,208 10/1950 Clink 211/70.6 X

- 2,893,749 7/1959 Simonsen 312/DIG. 33 X
- 3,618,749 11/1971 Vaccaro 294/146
- 3,892,331 7/1975 Beck 312/DIG. 33 X
- 4,058,210 11/1977 Mitchell 206/372
- 4,362,243 12/1982 Deyesso 206/373
- 4,458,963 7/1984 Keddie 312/DIG. 33 X
- 4,460,085 7/1984 Jantzen 294/146
- 4,550,828 11/1985 Baldwin et al. 206/372 X
- 4,653,638 3/1987 Lackner D3/74 X
- 4,667,822 5/1987 Coopmans 294/146
- 4,773,690 9/1988 Heinegg 206/373

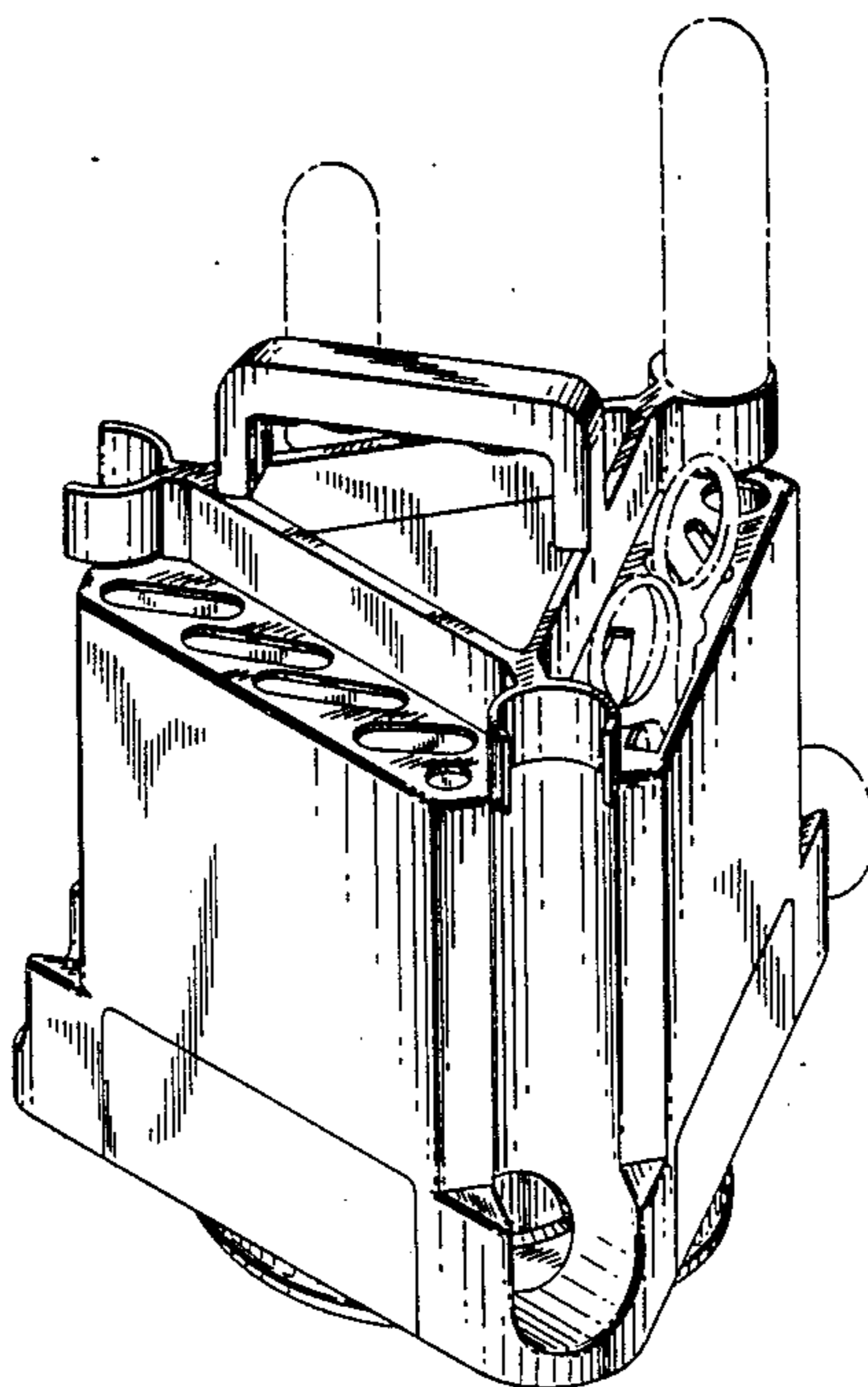
Primary Examiner—Bernard Ansher
Assistant Examiner—Prabhakar Deshmukh
Attorney, Agent, or Firm—Henry R. Lerner

[57] CLAIM

The ornamental design for a tool caddy, as shown and described.

DESCRIPTION

FIG. 1 is a perspective view of a tool caddy showing my new design.
FIG. 2 is a top plan view thereof;
FIG. 3 is a front elevational view thereof;
FIG. 4 is a right side elevational view thereof;
FIG. 5 is a left side elevational view thereof;
FIG. 6 is a bottom plan view thereof; and
FIG. 7 is a rear elevational view thereof.
The broken line showing of tools is for illustrative purpose only and forms no part of the claim.



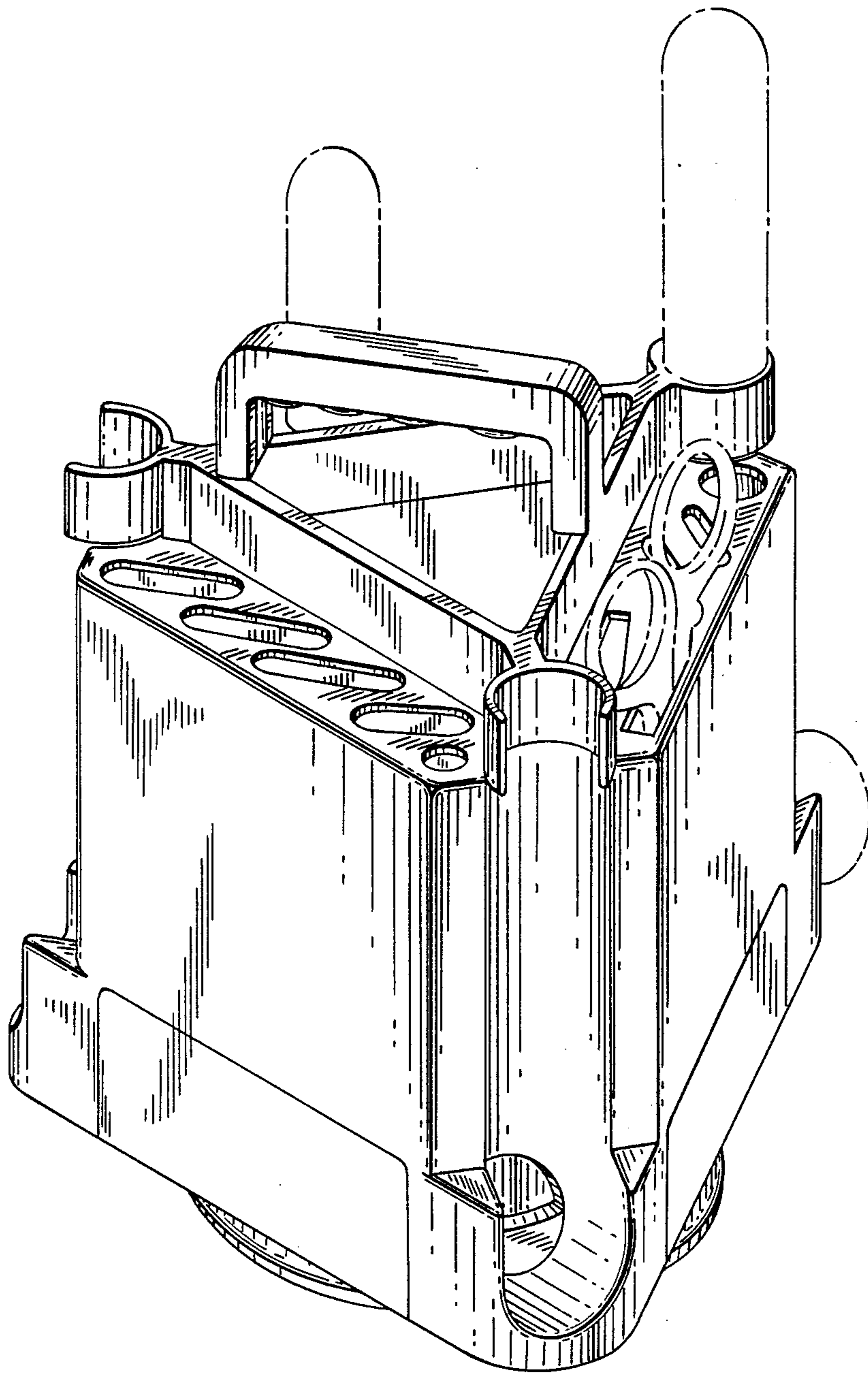


FIG. 1

FIG. 2

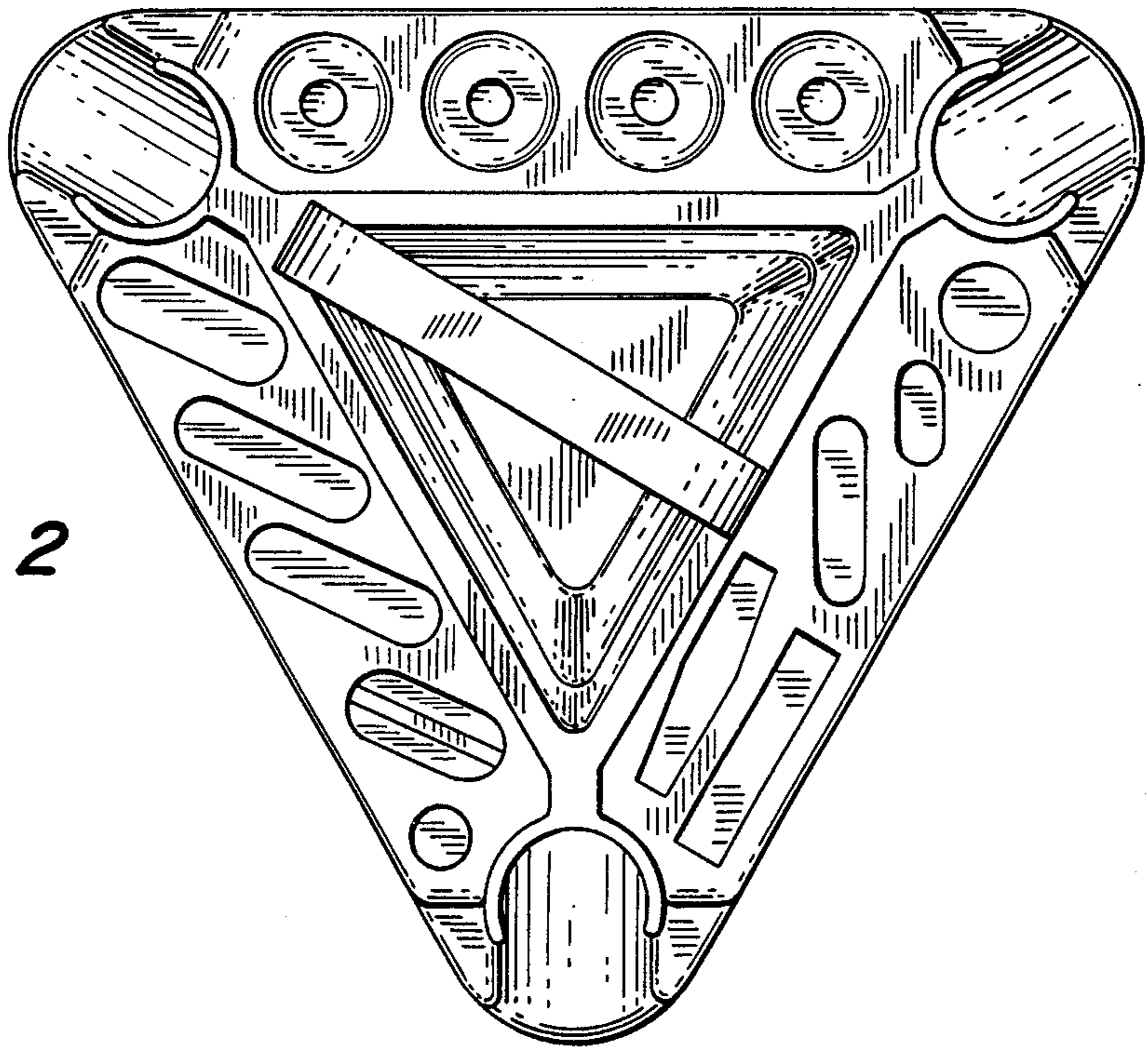


FIG. 3

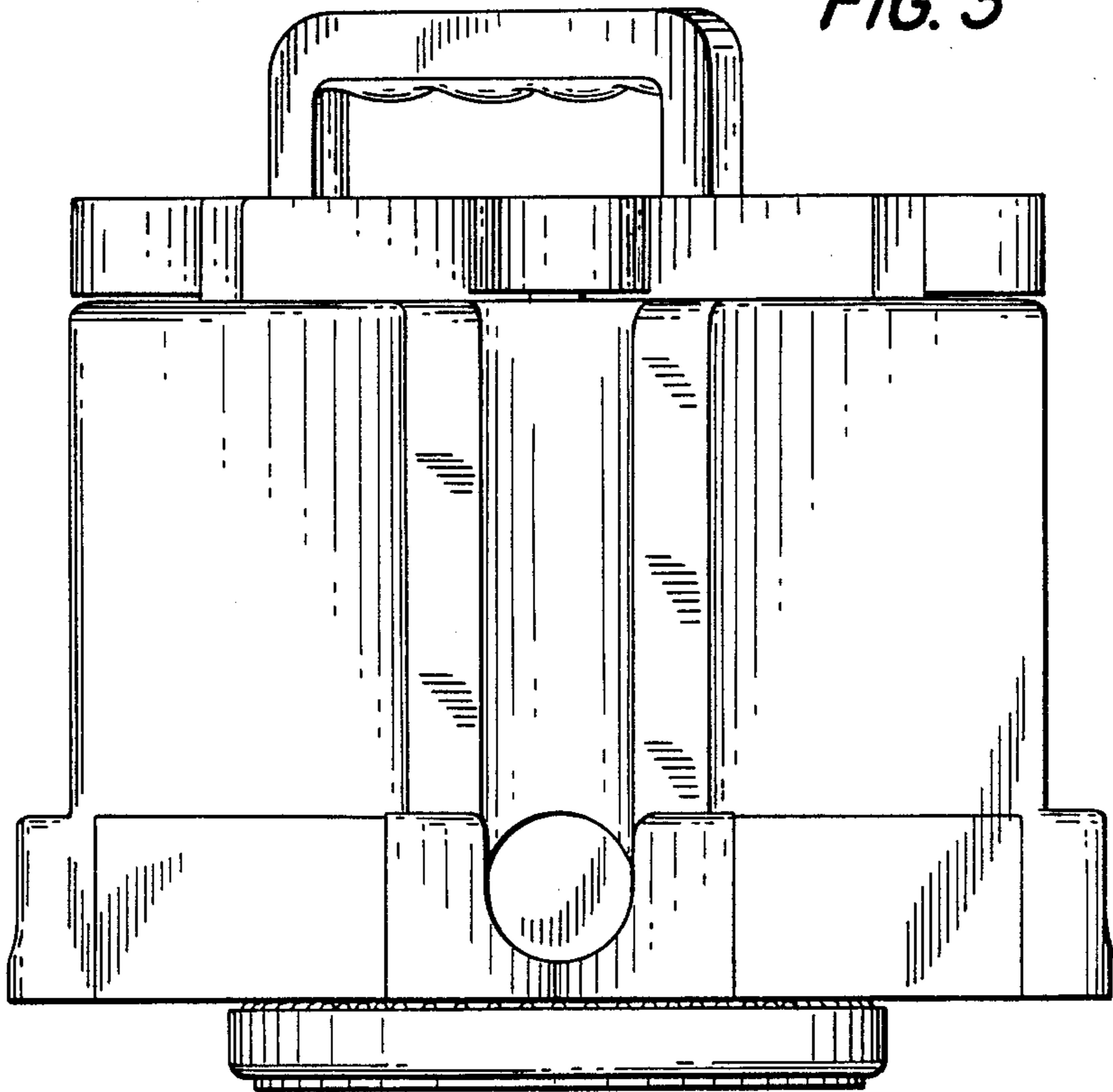


FIG. 5

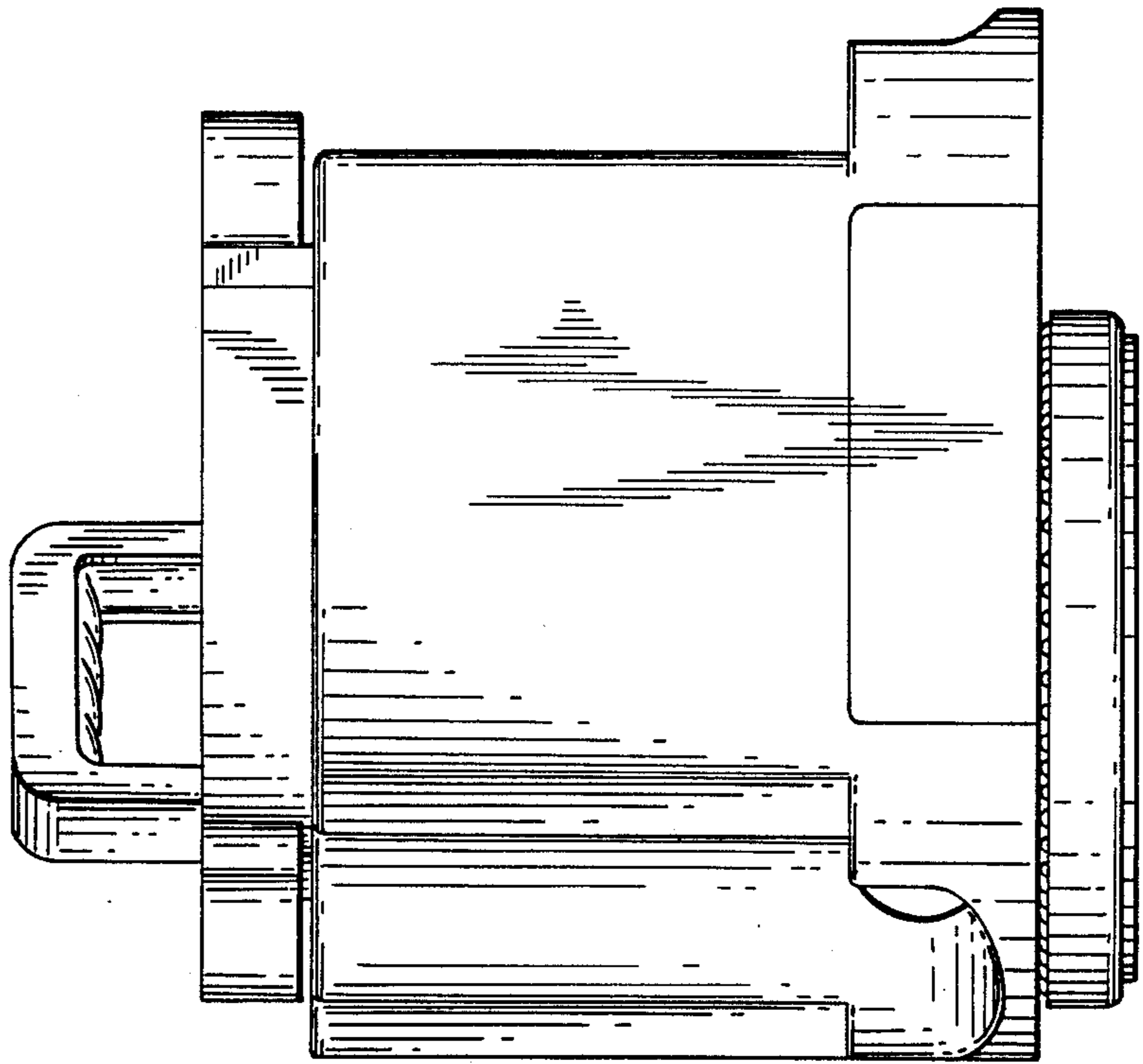


FIG. 4

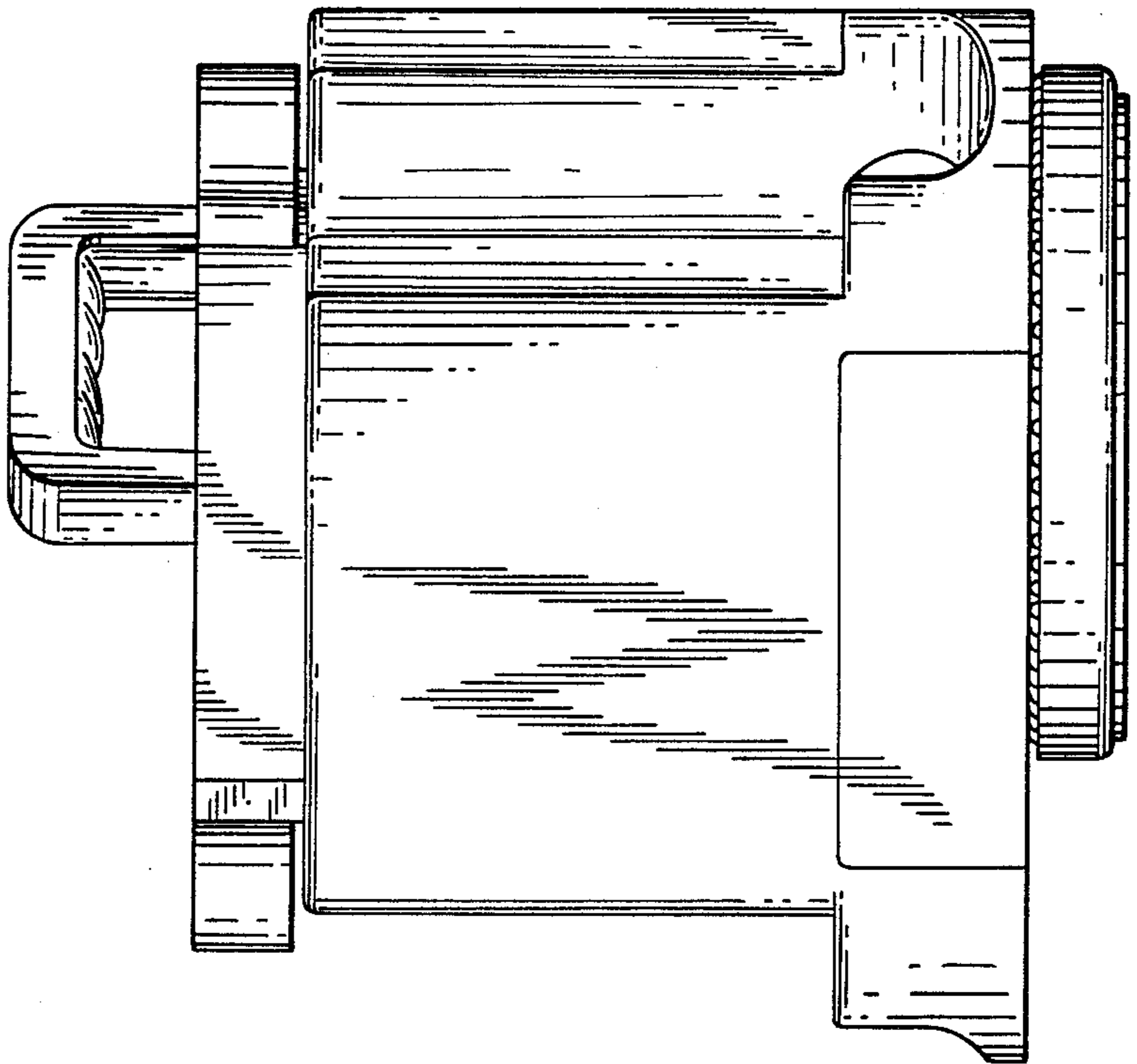


FIG. 6

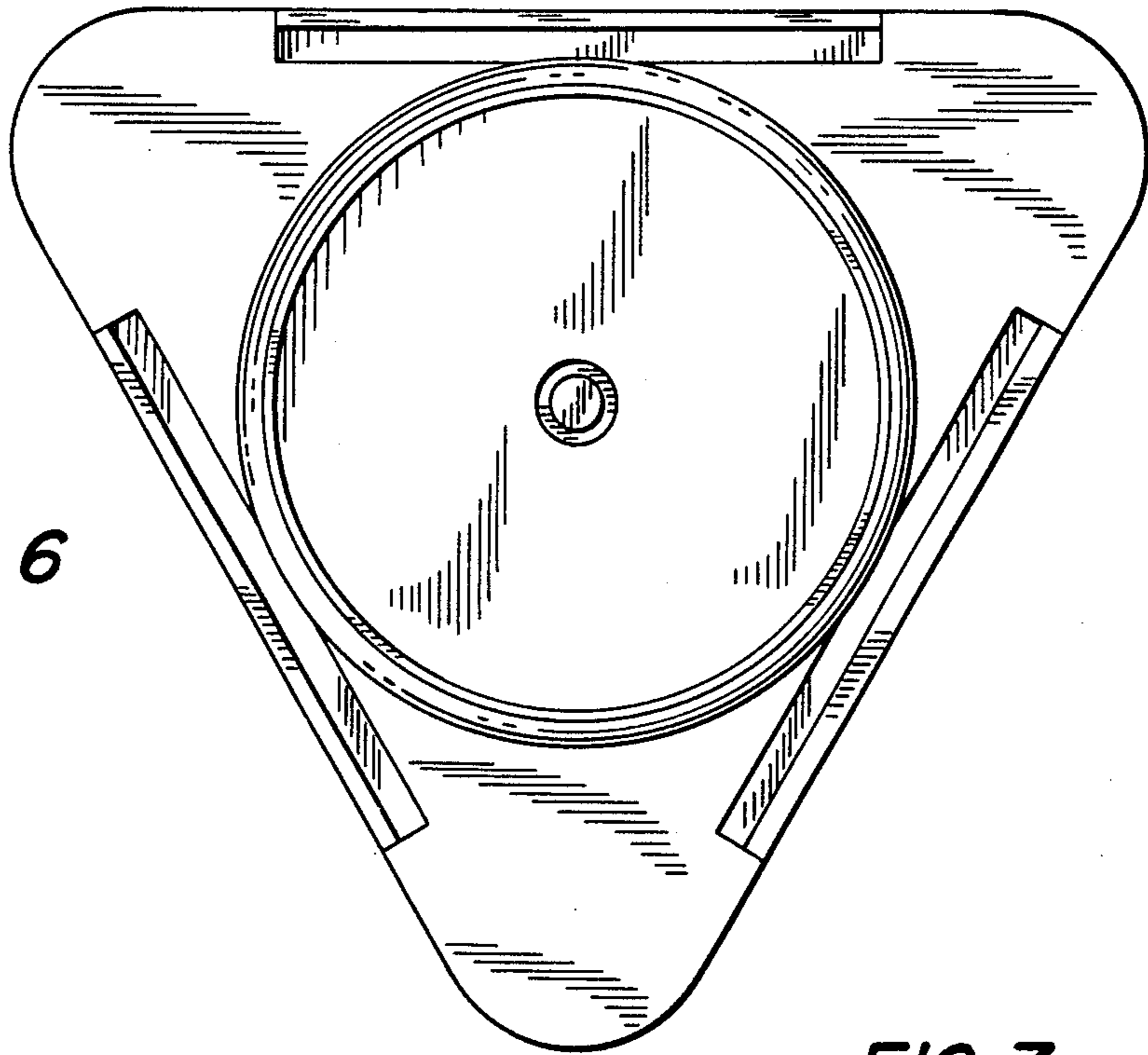


FIG. 7

