

[54] PARTS DRAWER

[75] Inventors: Donald Embree, Copley; David L. Hamann, Cincinnati, both of Ohio

[73] Assignee: Rubbermaid Incorporated, Wooster, Ohio

[**] Term: 14 Years

[21] Appl. No.: 230,506

[22] Filed: Aug. 10, 1988

[52] U.S. Cl. D34/40; D9/425

[58] Field of Search D34/40-46; D9/424, 425, 431, 432; 206/518, 349, 509; 220/72, 74, 83, 22; 211/126

[56] References Cited

U.S. PATENT DOCUMENTS

D. 191,144	8/1961	Schanz	D34/43
D. 227,305	6/1973	Wilke	D9/425
D. 276,026	10/1984	Hexamer	D9/425
D. 305,410	1/1990	Tyler	D9/425
1,015,892	1/1912	Jefferson	220/22 X
2,599,727	6/1952	Schmidt	220/74 X
3,113,680	8/1961	Frater et al.	211/147
3,252,614	5/1966	Evans	206/509
3,259,269	7/1966	Asenbauer	206/509
3,347,394	10/1967	Gould	211/126
3,598,273	8/1971	Rau et al.	220/83 X
4,015,713	4/1977	Clipson et al.	206/509

OTHER PUBLICATIONS

Sell Sheet, Trophy Products, 9714 Old Kay Rd., Houston, Texas 77055, publication date 1987.

Pp. 12 and 13, Akro-Mils, Box 989, Akron, Ohio, publication date Oct. 1, 1987.

Sell Sheet, Bush Lake Industries, Inc., Shakopee, Minnesota 55379, publication date Jul. 1986.

Pp. 12 and 13, Flambeau, P.O. Box 5067, Columbus, Indiana 47202, publication date 1987.

Pp. 2 and 3, Lewissystems Menasha Corporation, 128 Hospital Drive, Watertown, Wisconsin 53094-9976, publication date Jul. 1987.

Pp. 12, 16, 20, and 24, Lewissystems Menasha Corporation, 128 Hospital Drive, Watertown, Wisconsin 53094, publication date unknown.

Sell Sheet, Flair, address unknown, publication date unknown.

Primary Examiner—Bernard Ansher

Assistant Examiner—Prabhakar Deshmukh

Attorney, Agent, or Firm—Richard B. O'Planick

[57] CLAIM

The ornamental design for a parts drawer, as shown and described.

DESCRIPTION

FIG. 1 is a front perspective view of a parts drawer embodying our new design.

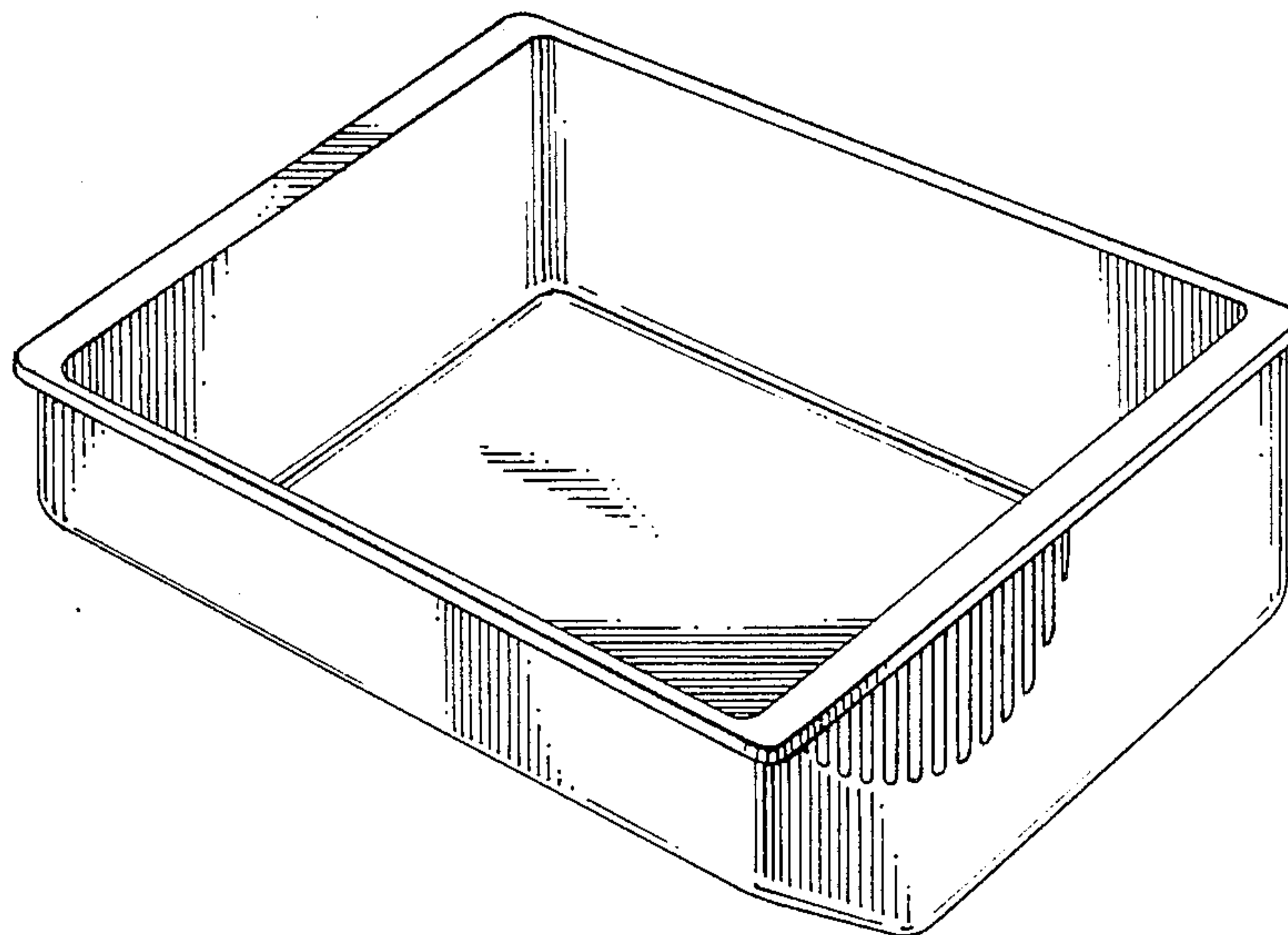
FIG. 2 is a front elevational view thereof.

FIG. 3 is a rear elevational view thereof.

FIG. 4 is a side elevation view thereof. The side opposite to that depicted in FIG. 4 is identical in appearance.

FIG. 5 is a top plan view thereof.

FIG. 6 is a bottom plan view thereof.



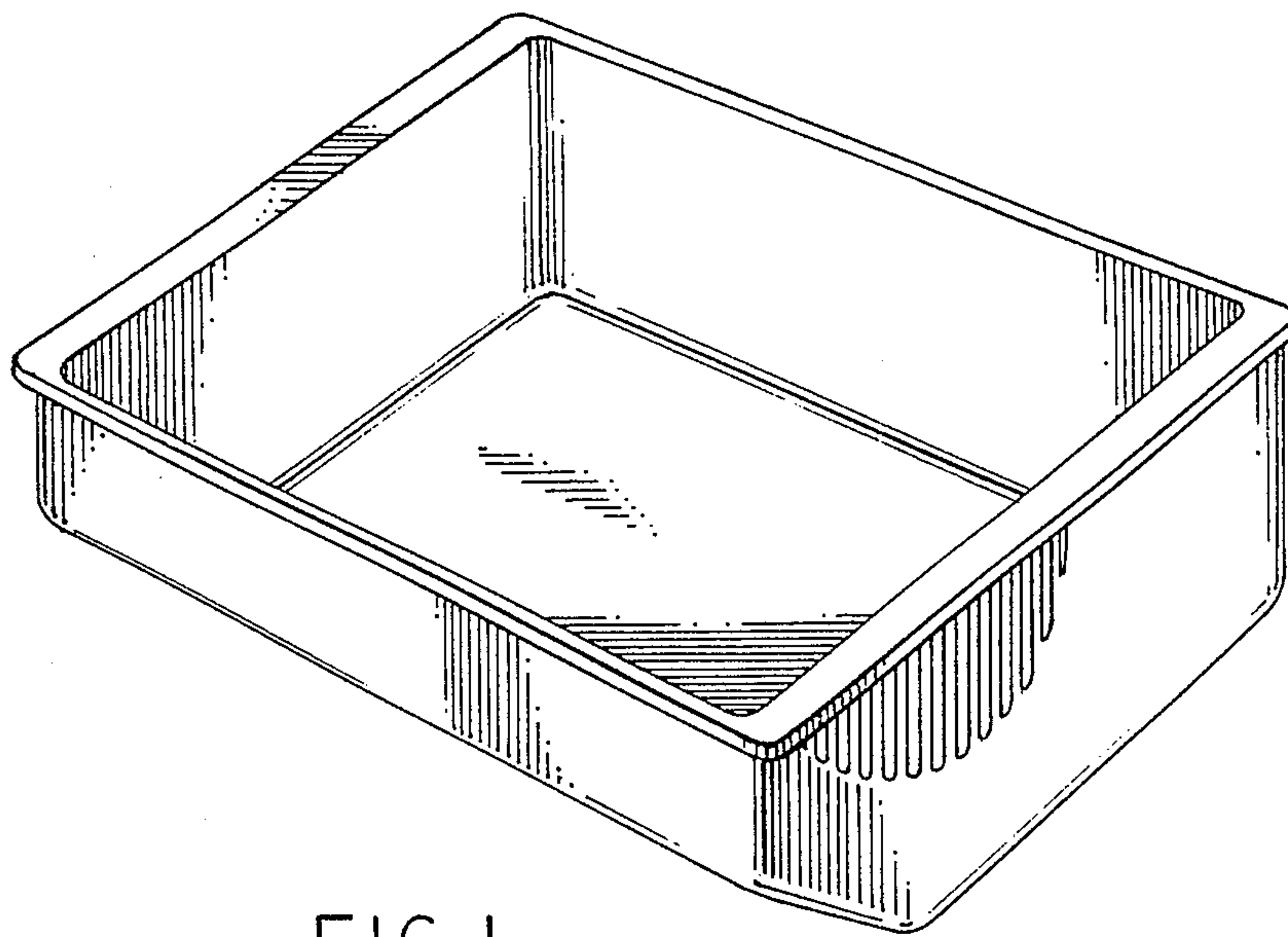


FIG. 1

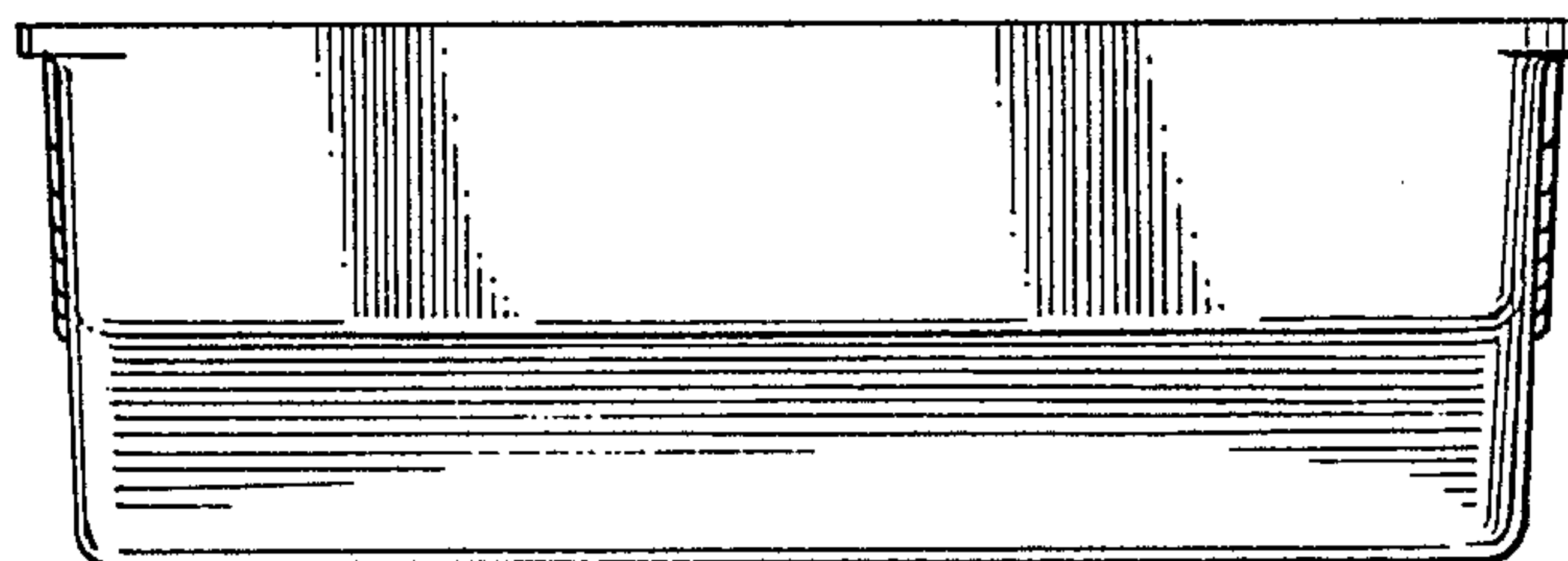


FIG. 2

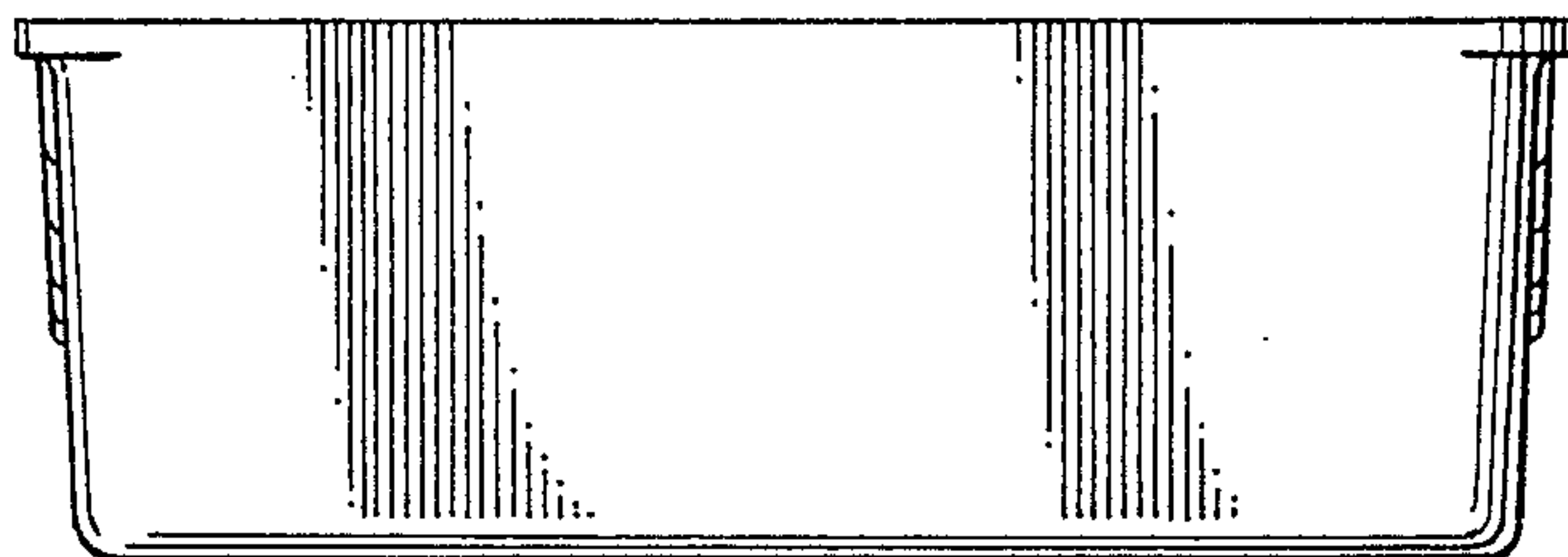


FIG. 3

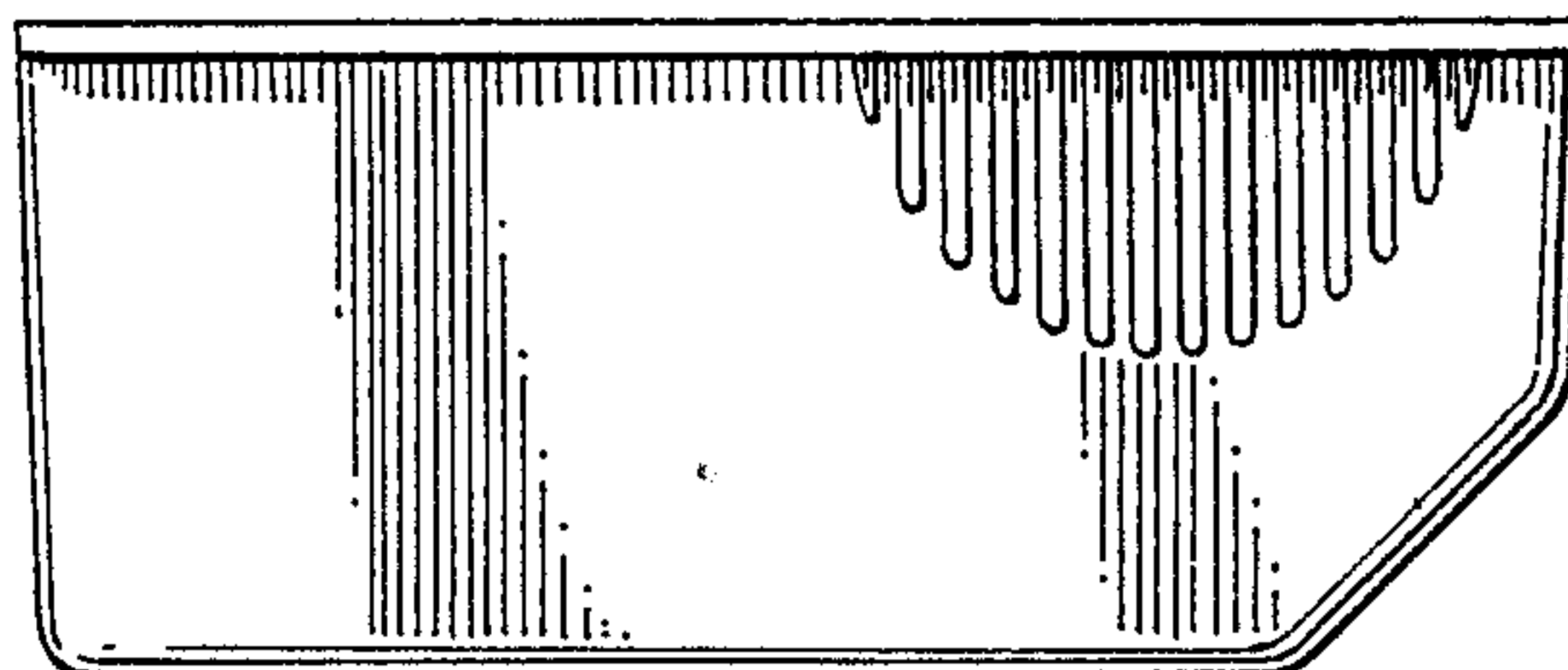


FIG. 4

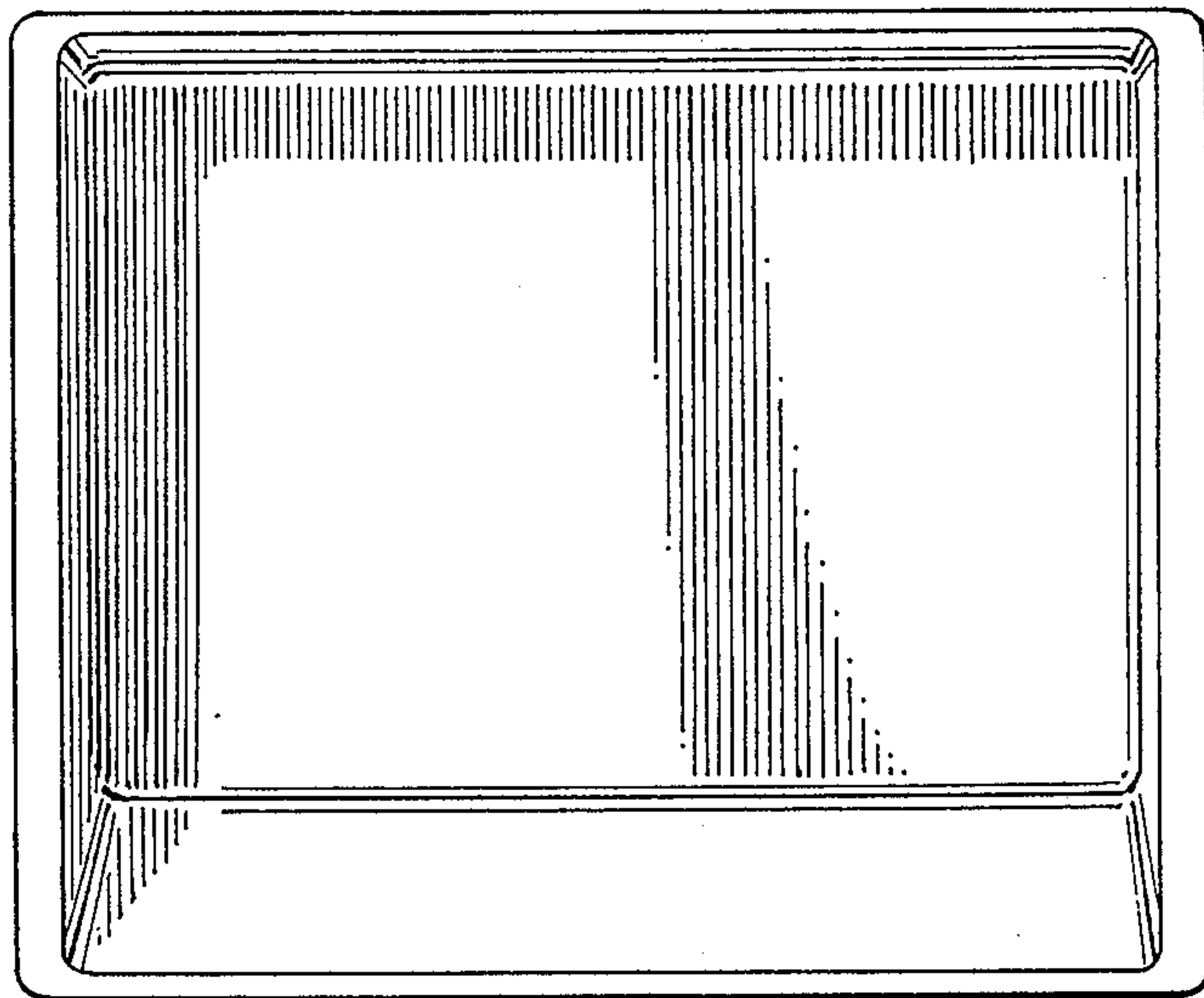


FIG. 5

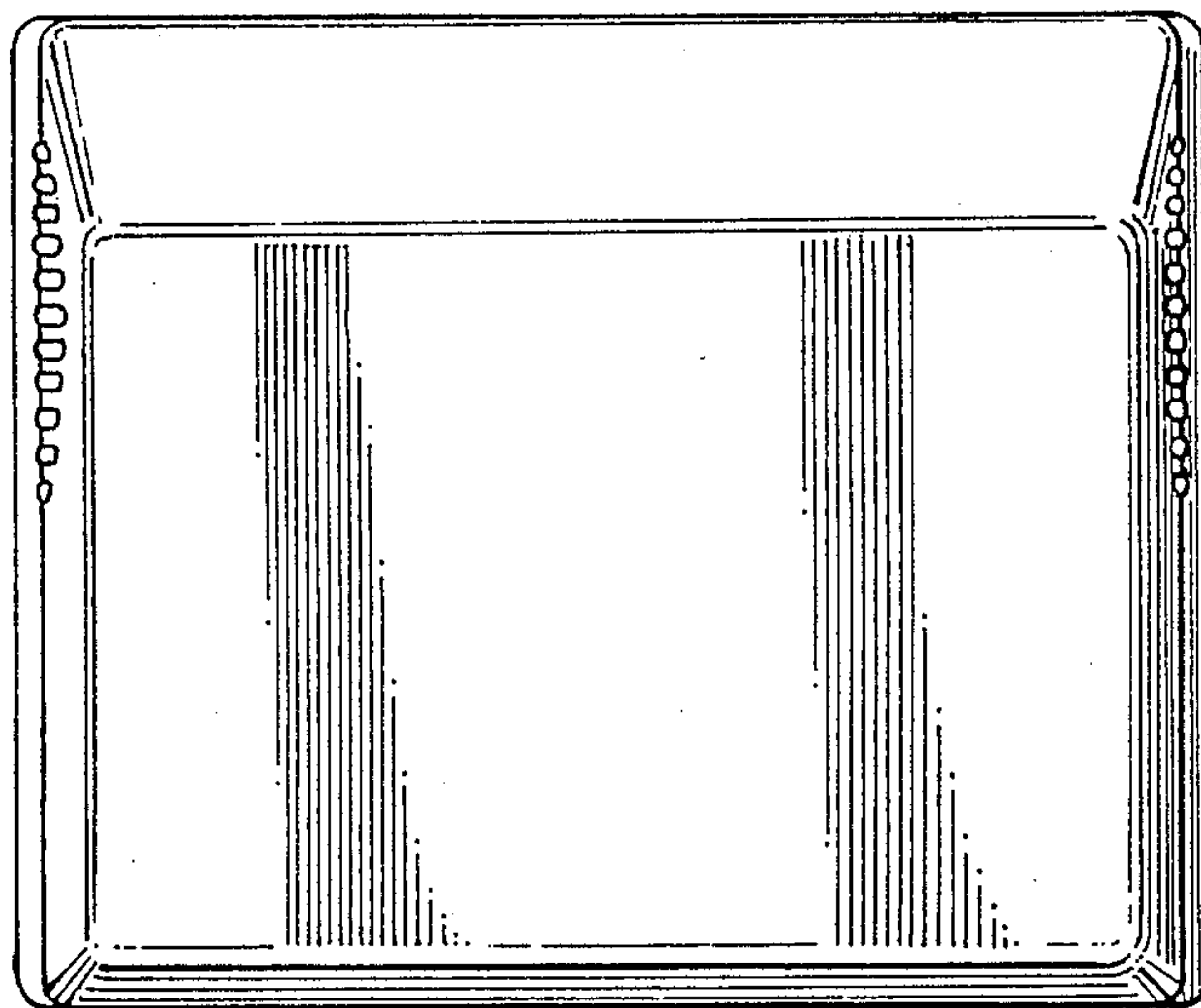


FIG. 6