

[54] **CONTAINER TRANSFER LIFT**

[75] **Inventor: Shunji Isogai, Hekinan, Japan**

[73] **Assignee: Sugiyasu Industries Co., Ltd.,
Takahama, Japan**

[**] **Term: 14 Years**

[21] **Appl. No.: 272,204**

[22] **Filed: Nov. 16, 1988**

[30] **Foreign Application Priority Data**

Aug. 2, 1988 [JP] Japan 63-30969
[52] **U.S. Cl.** **D34/28; D34/31**
[58] **Field of Search** **D34/28, 31; 254/9 C,
254/122, 8 R, 89 R, 423; 187/1 R, 8.43, 8.41;
182/148, 18; 414/608, 498, 471**

[56] **References Cited**

U.S. PATENT DOCUMENTS

3,341,042 9/1967 Carder 414/471
4,288,195 9/1981 Brewer 414/608

FOREIGN PATENT DOCUMENTS

883107 9/1971 Canada 187/1

Primary Examiner—James M. Gandy
Assistant Examiner—Kay H. Chin
Attorney, Agent, or Firm—Lahive & Cockfield

[57] **CLAIM**

The ornamental design for a container transfer lift, as shown and described.

DESCRIPTION

FIG. 1 is a front perspective view of a container transfer lift showing my new design;
FIG. 2 is a front perspective view with extended load support thereof;
FIG. 3 is a front elevational view thereof;
FIG. 4 is a rear elevational view thereof;
FIG. 5 is a top plan view thereof;
FIG. 6 is a bottom plan view thereof;
FIG. 7 is a left side elevational view thereof;
FIG. 8 is a right side elevational view thereof; and
FIG. 9 is a front elevational view of FIG. 2.

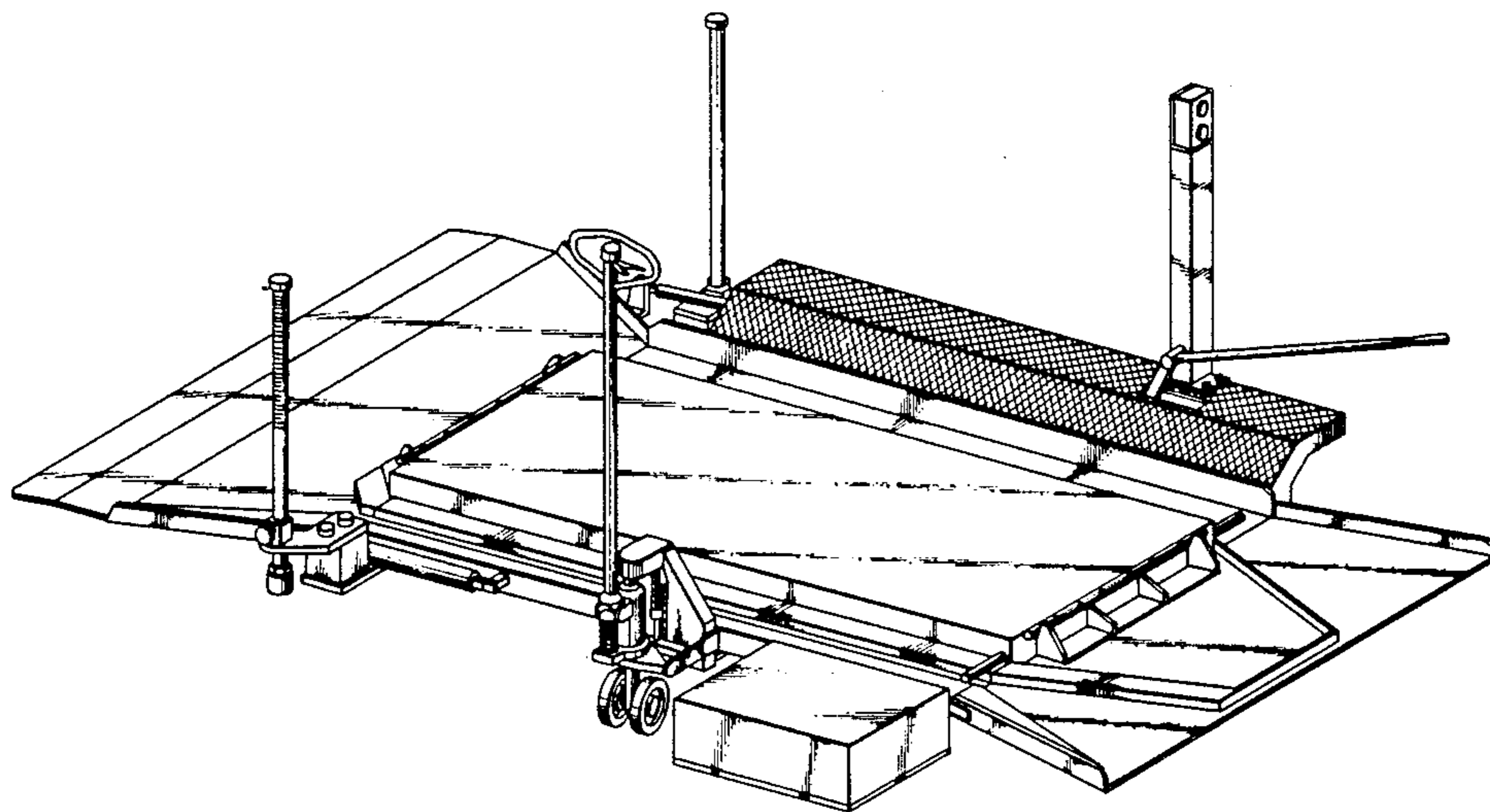


FIG. 1

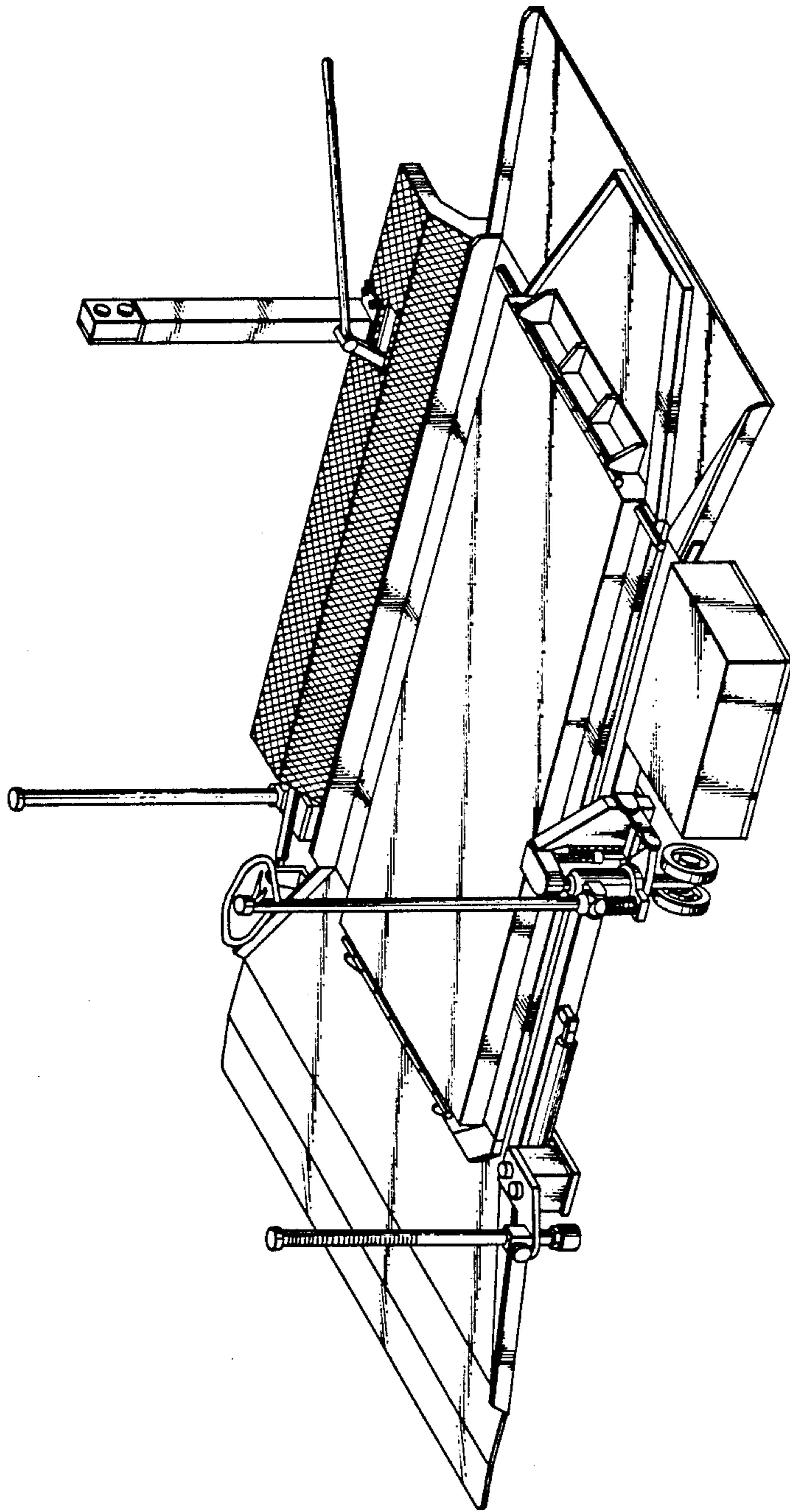


FIG. 2

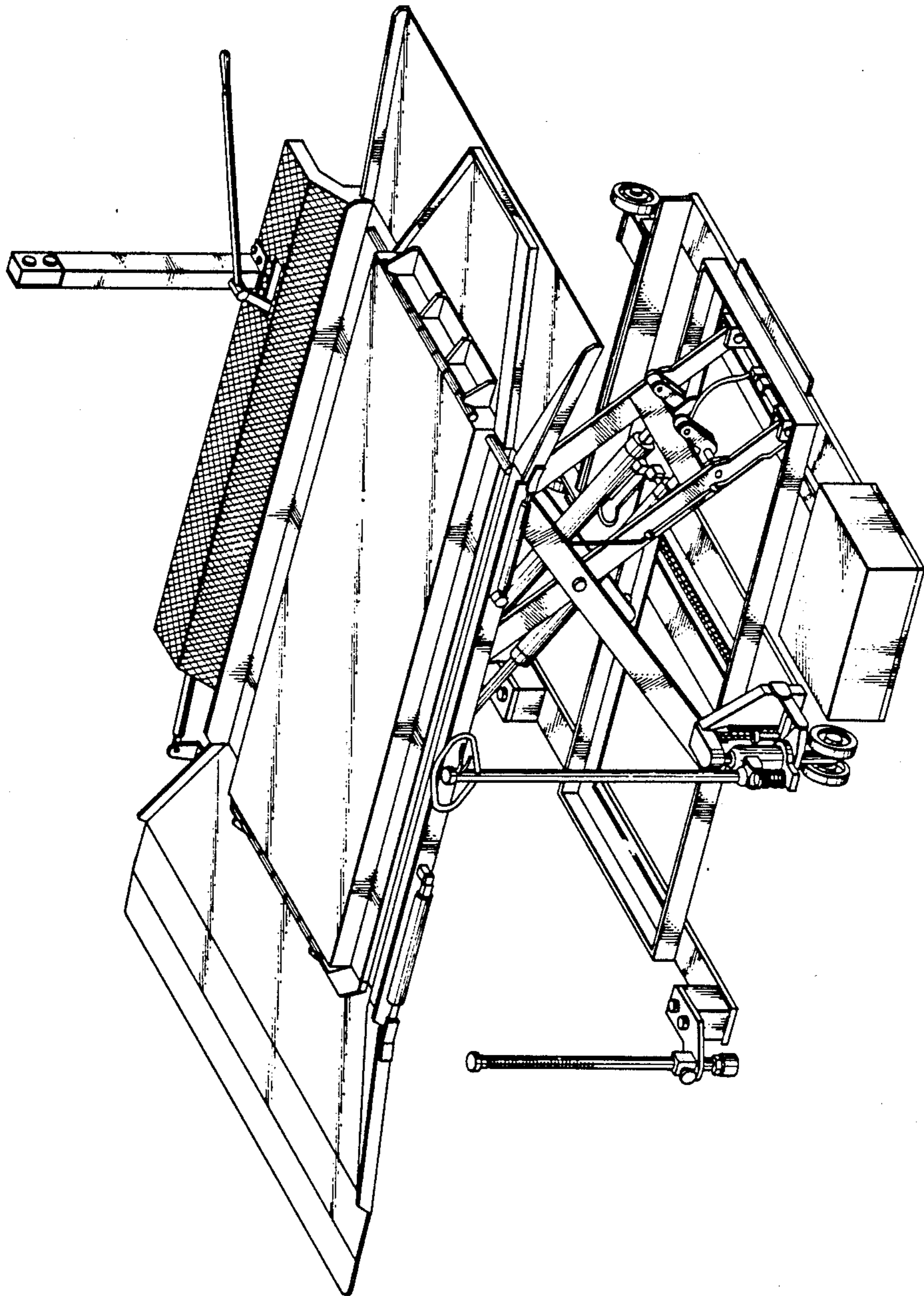


FIG. 3

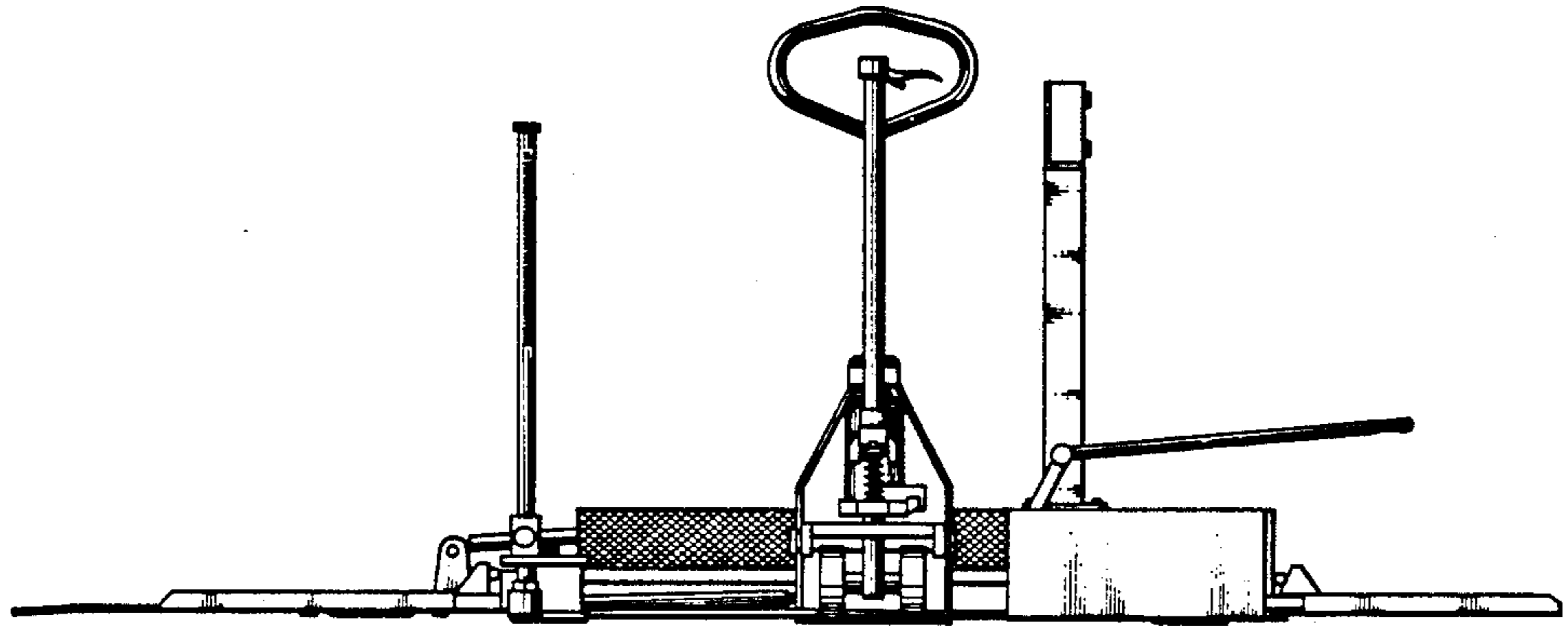


FIG. 4

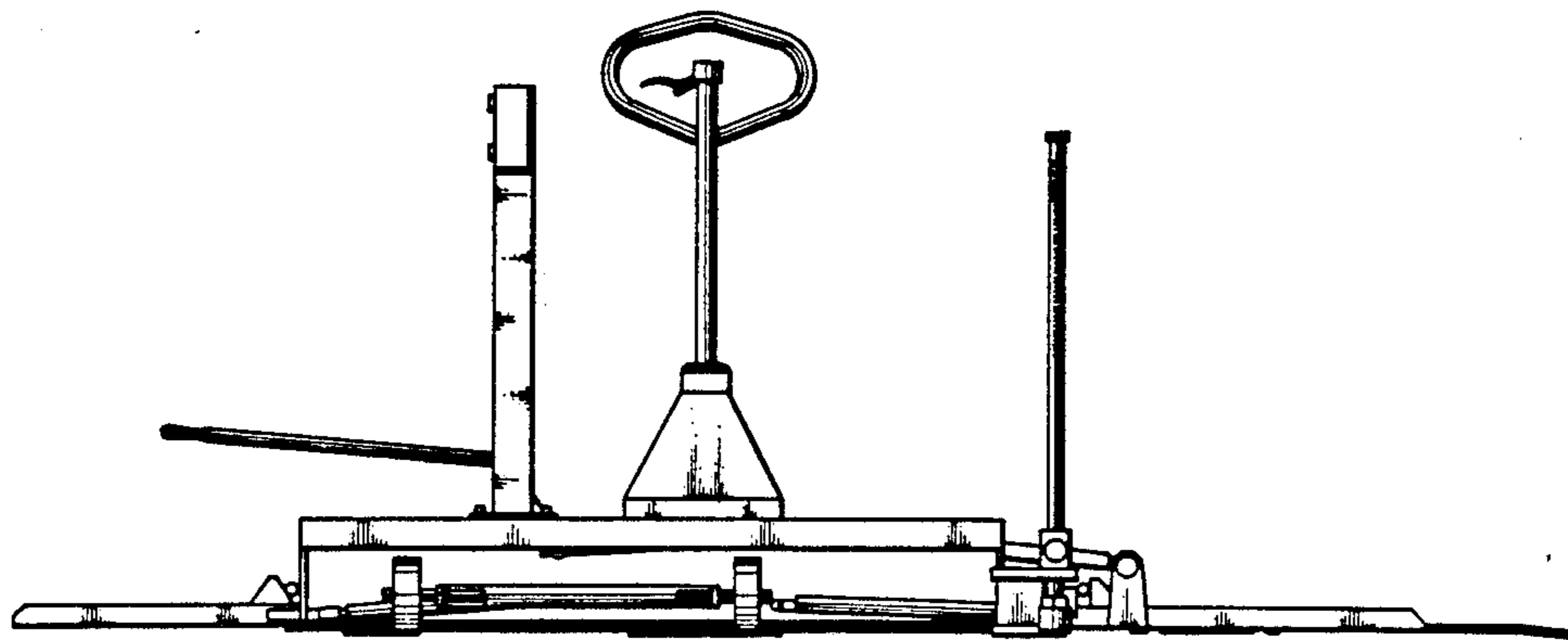


FIG. 5

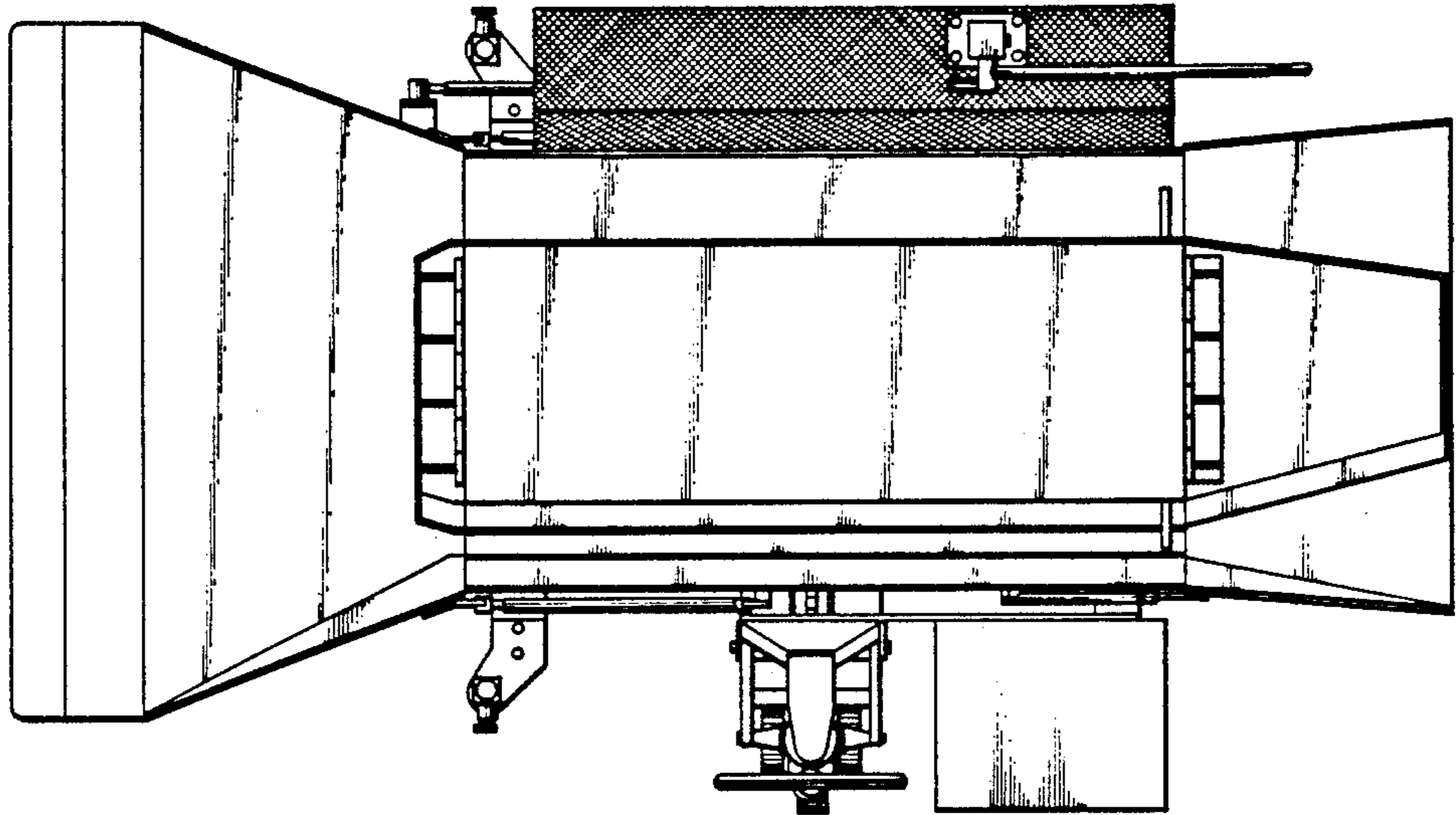


FIG. 6

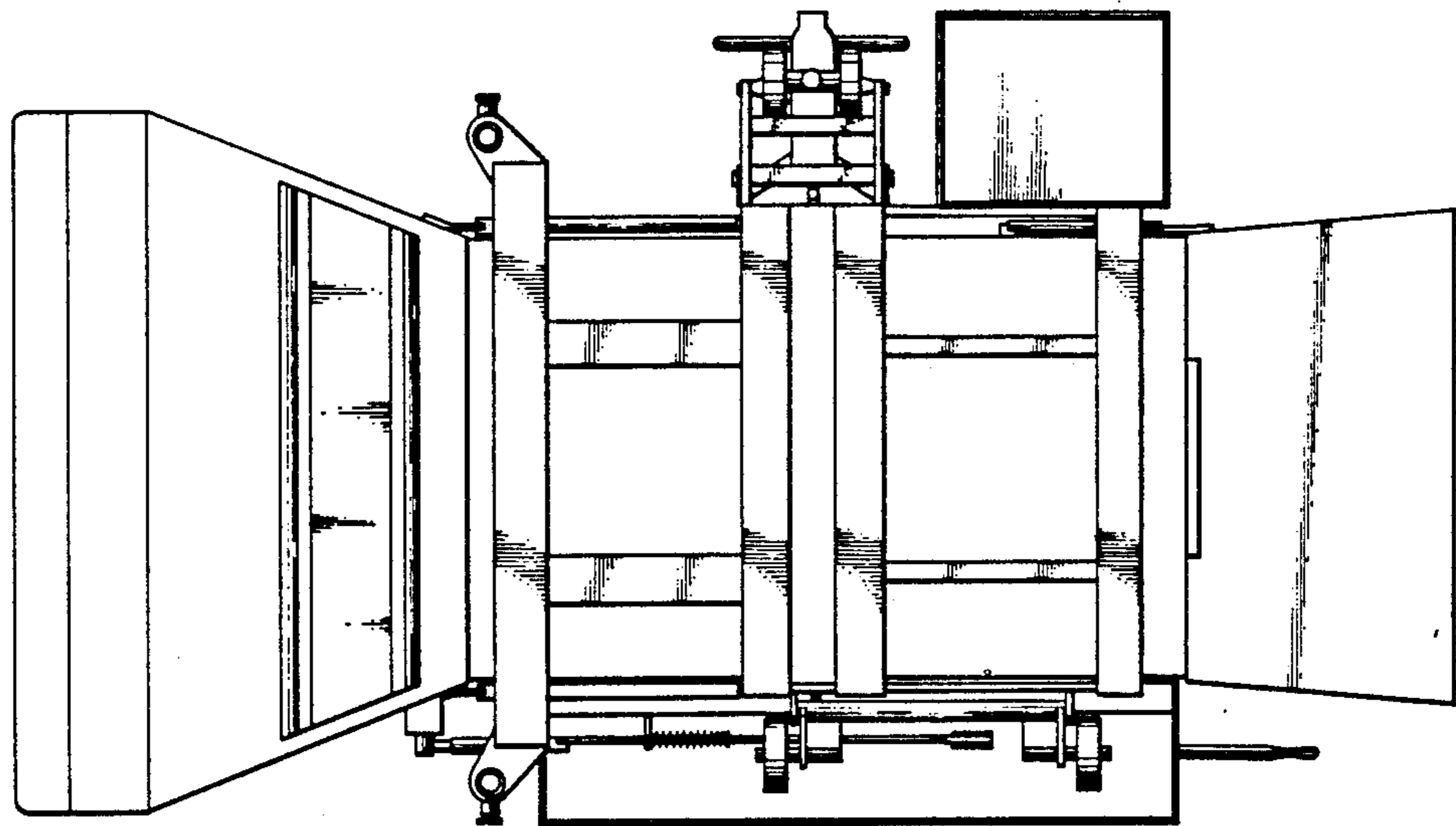


FIG. 7

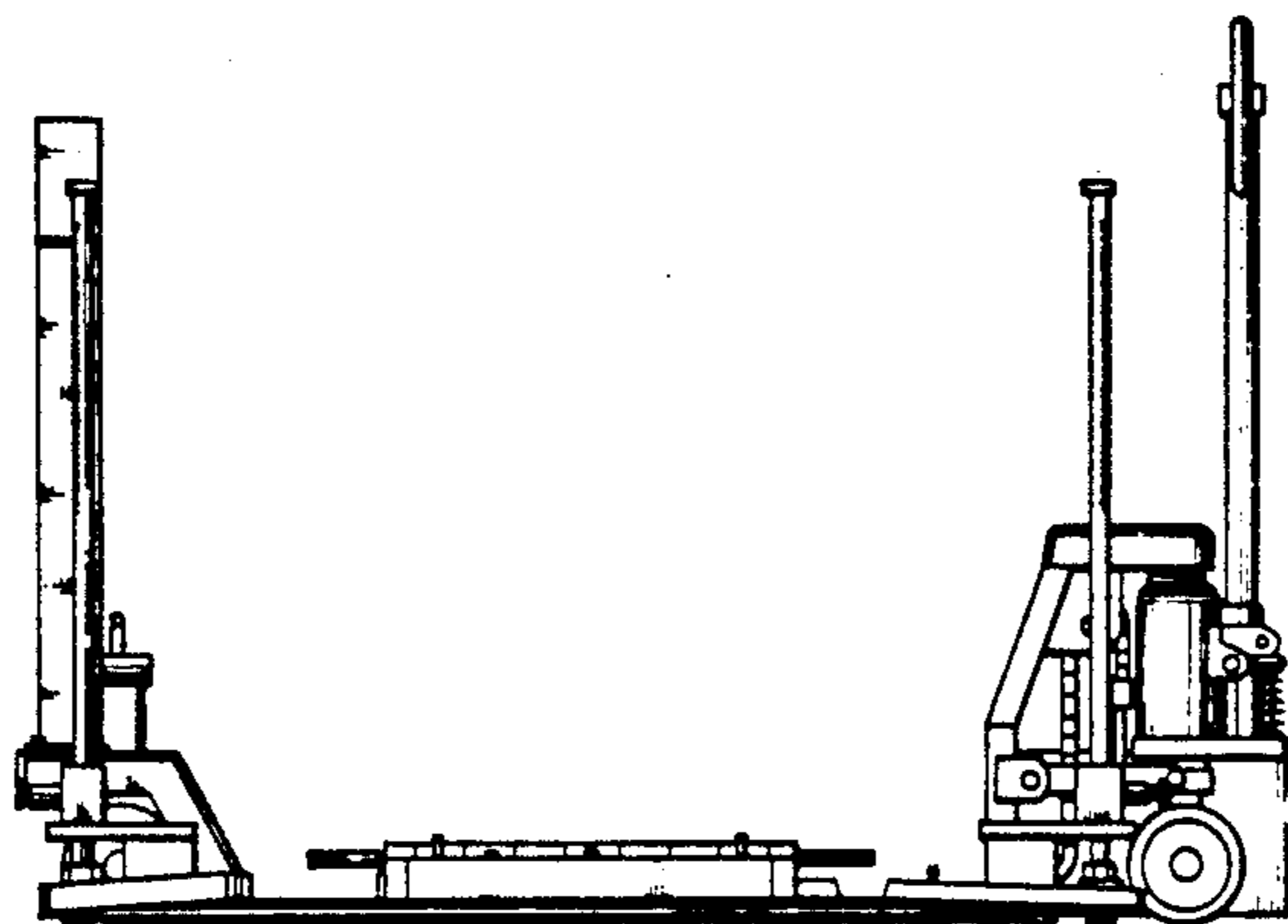


FIG. 8

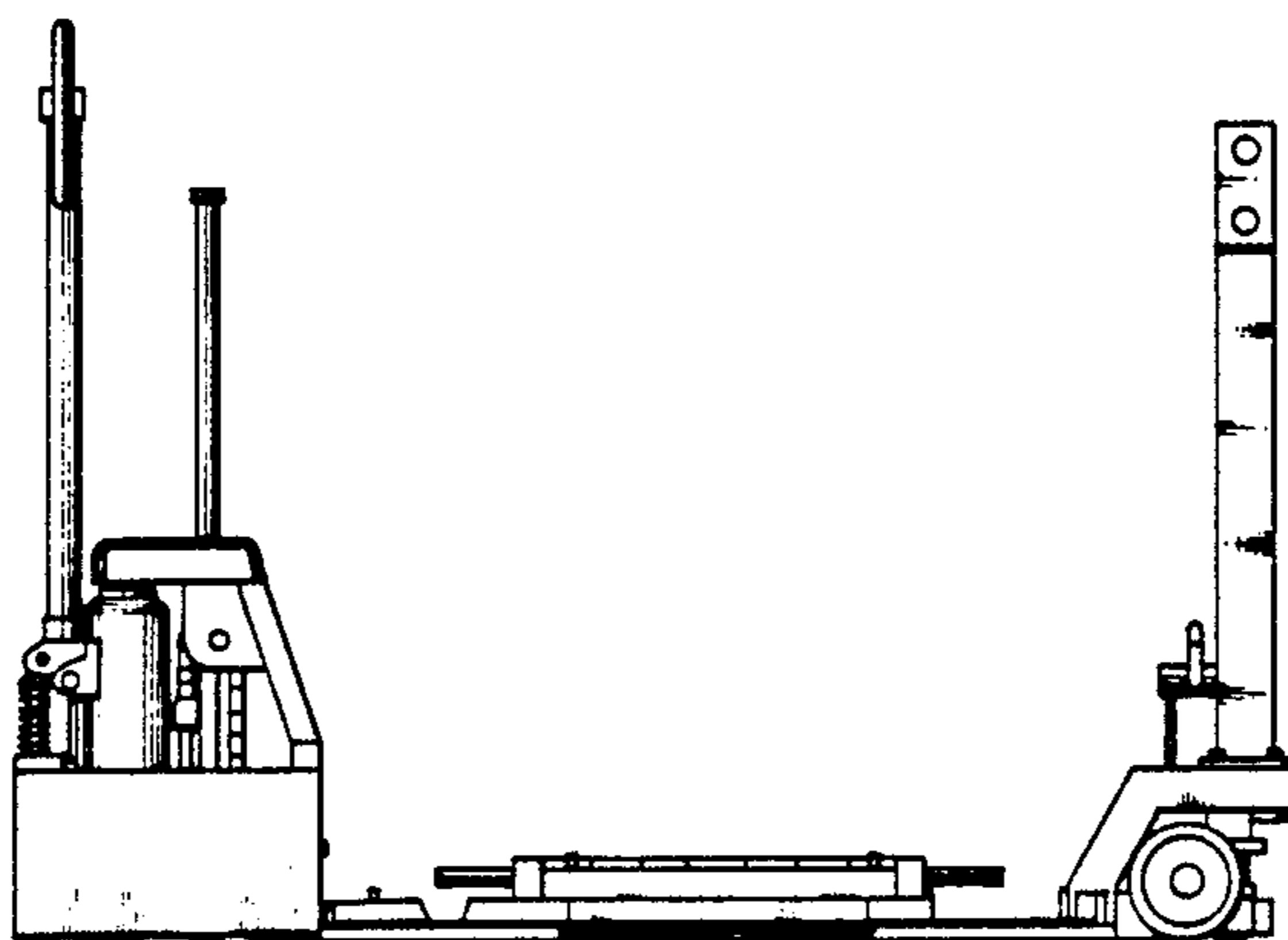


FIG. 9

