

[54] **BAG HOLDER**

[76] **Inventor: Patrick Cross, 5 Molope Road,
Randpark Ridge Ext. 1, Randburg
2194, Johannesburg, South Africa**

[**] **Term: 14 Years**

[21] **Appl. No.: 142,887**

[22] **Filed: Dec. 23, 1987**

[30] **Foreign Application Priority Data**

Jun. 26, 1987 [ZA] South Africa 0485/87
[52] **U.S. Cl.** **D34/6**
[58] **Field of Search** **D34/1, 5, 6; 248/95,
248/97, 99, 100, 101; D8/380**

[56]

References Cited

U.S. PATENT DOCUMENTS

D. 303,305 9/1989 Deacon D34/6
2,305,863 12/1942 Ginter 248/100
3,912,208 10/1975 Grenetier 248/99
4,669,690 6/1987 McEniry 248/101
4,775,123 10/1988 Borland et al. 248/99

Primary Examiner—Kay H. Chin
Attorney, Agent, or Firm—Biebel, French & Nauman

[57]

CLAIM

The ornamental design for a bag holder, as shown and described.

DESCRIPTION

FIG. 1 is an enlarged front perspective view of a bag holder showing my new design;
FIG. 2 is a top plan view thereof;
FIG. 3 is a front elevational view thereof, and
FIG. 4 is a side elevational view thereof the opposite side elevational view being a mere image of that shown.

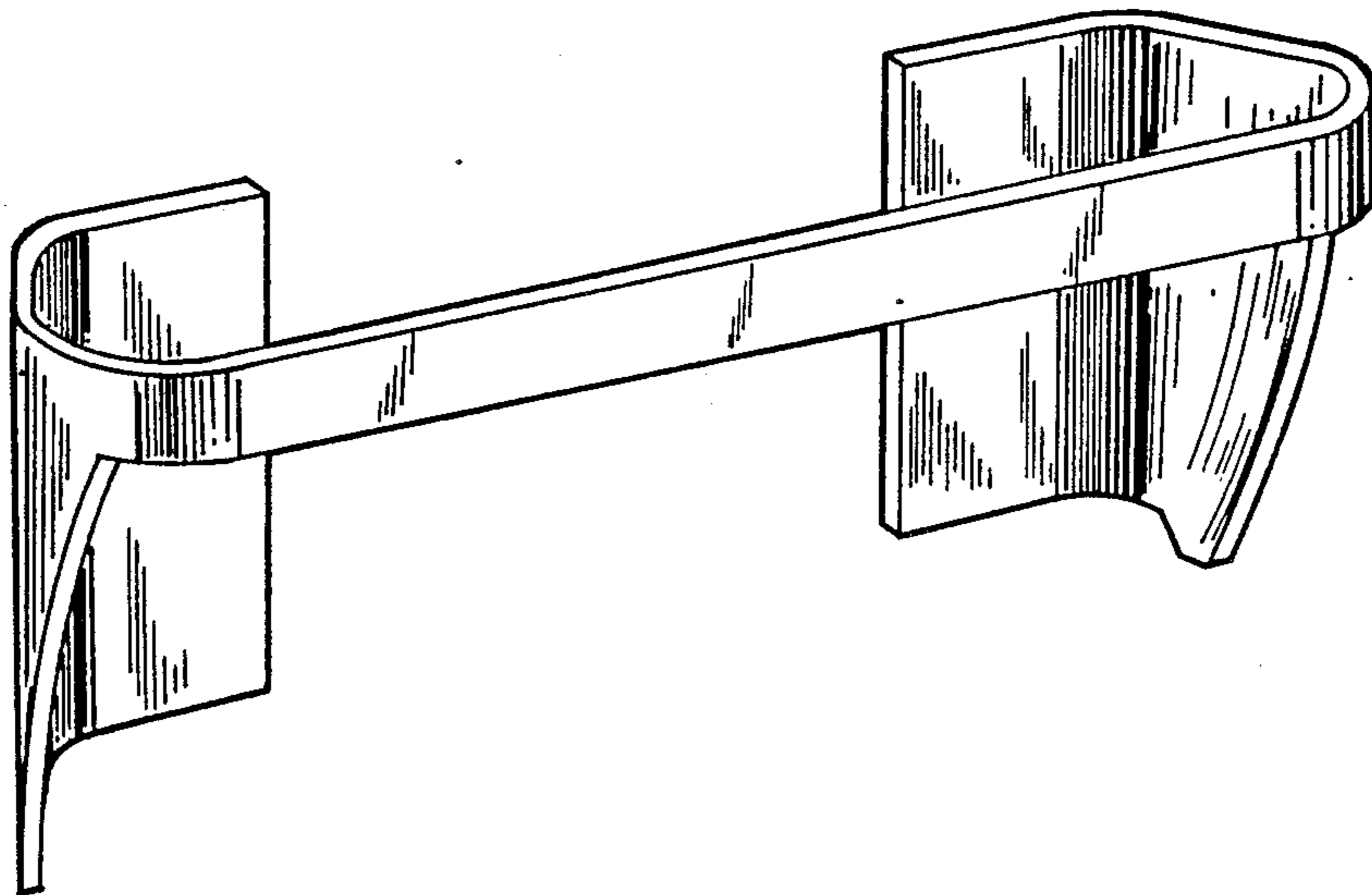


FIG - 1

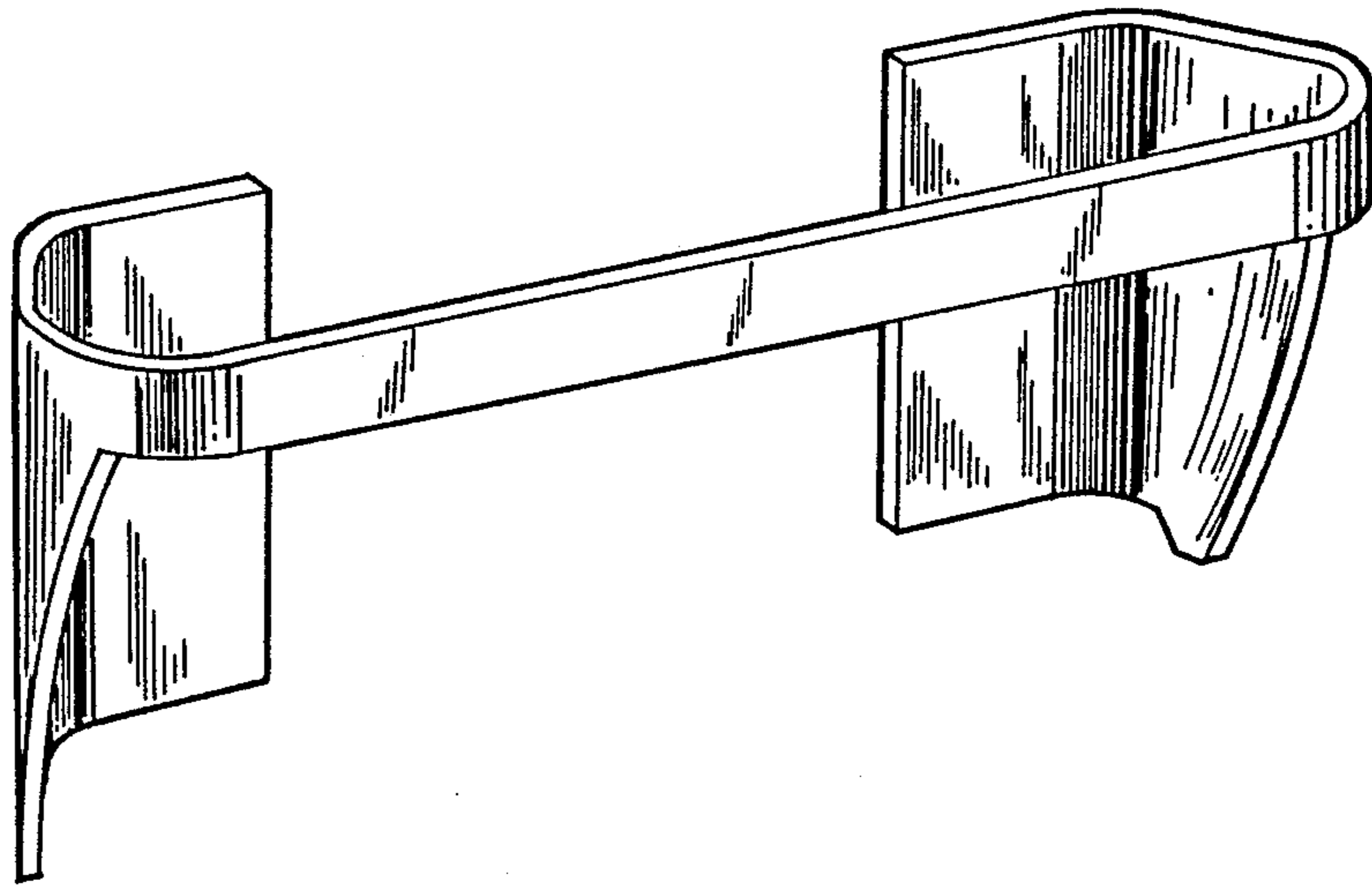


FIG - 2

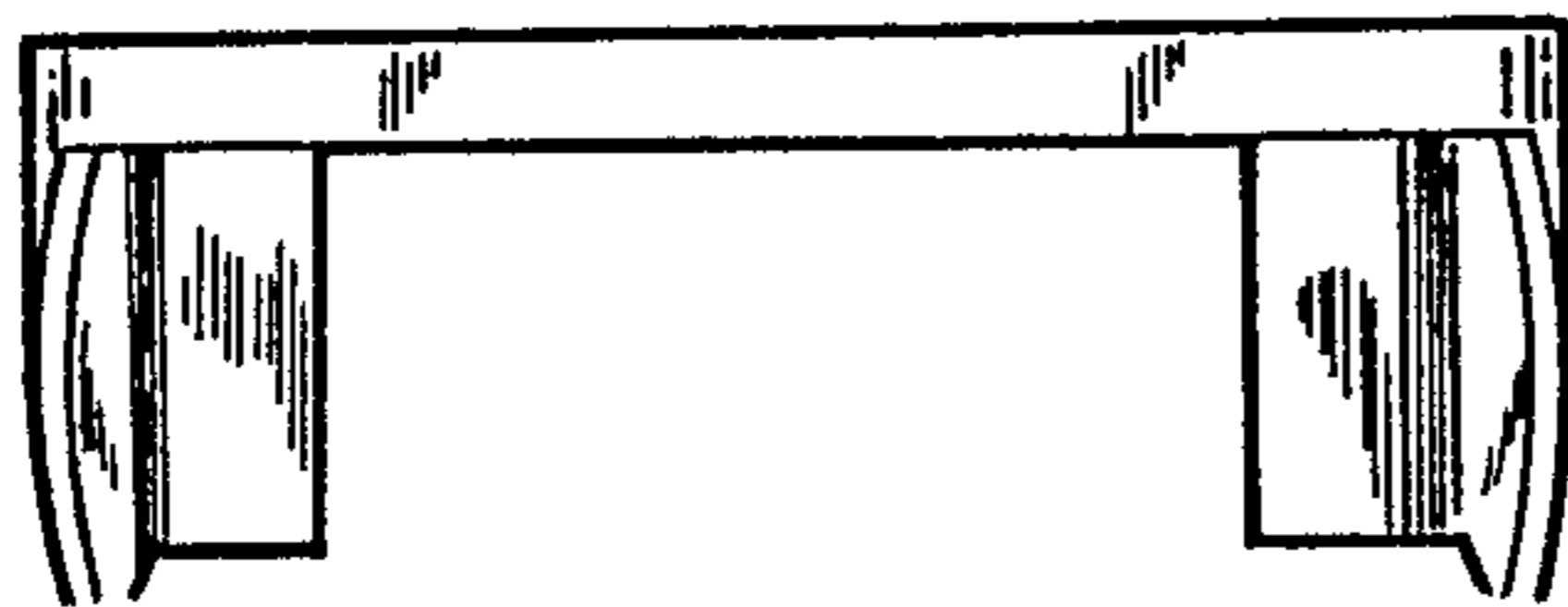
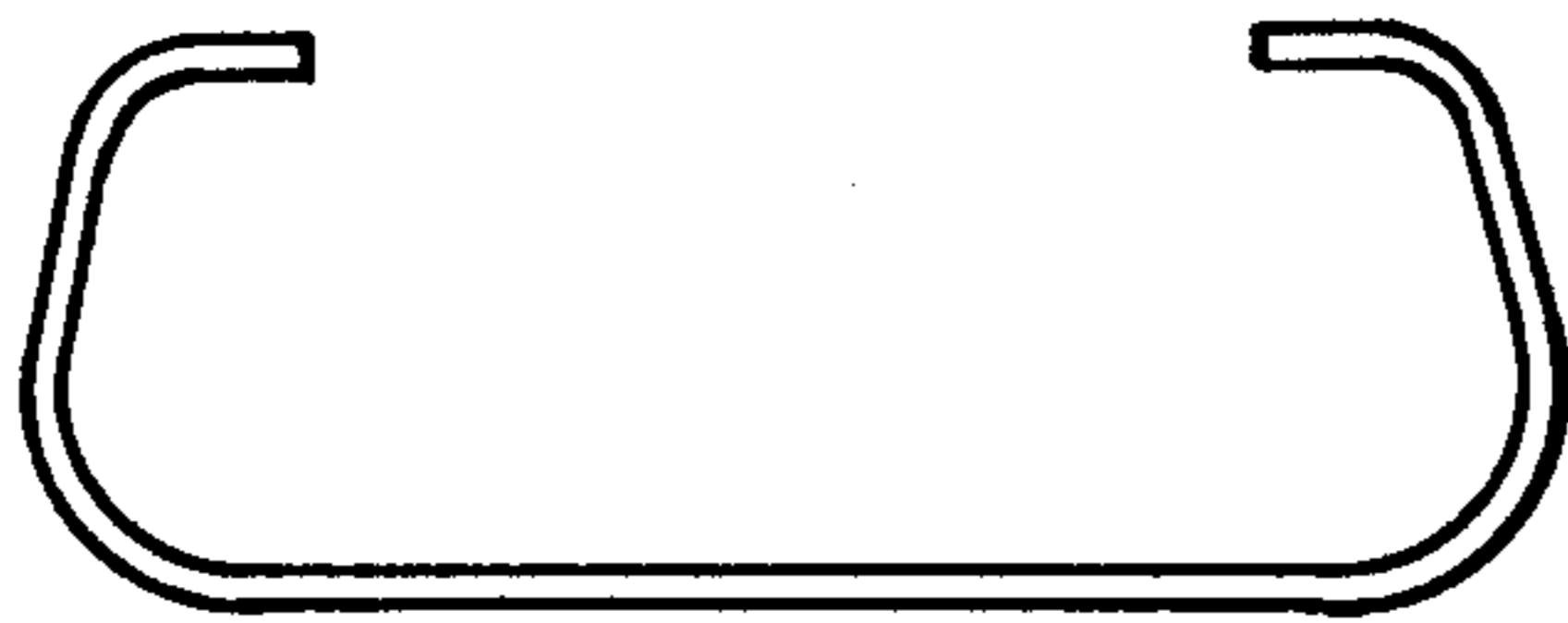


FIG - 3

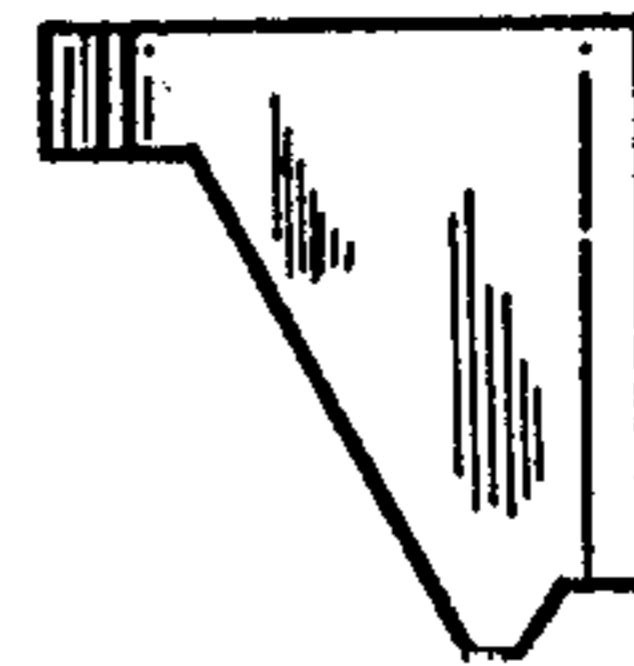


FIG - 4