

[54] REFUSE CONTAINER

[76] Inventors: Sylvester J. Fletcher, P.O. Box 15, Greendell, N.J. 07839; Kermit J. Lee, Jr., 104 Berkley Dr., Syracuse, N.Y. 13210

[**] Term: 14 Years

[21] Appl. No.: 85,133

[22] Filed: Aug. 14, 1987

[52] U.S. Cl. D34/1; D34/7

[58] Field of Search D34/1, 7; 220/23.4, 220/23.6, 23.83, 1 T; 312/107, 211; 108/91, 53.1

[56] References Cited

U.S. PATENT DOCUMENTS

2,511,949	6/1950	Simon	312/107
2,515,766	7/1950	Earle	312/107
2,635,762	4/1953	Shaw	312/107
2,715,559	8/1955	Villo	312/107
3,672,739	6/1972	Taut	312/107
4,801,034	1/1989	Sandomeno	220/23.83
4,821,903	4/1989	Hayes	220/23.4

FOREIGN PATENT DOCUMENTS

284059	9/1988	European Pat. Off.	220/1 T
--------	--------	--------------------	---------

Primary Examiner—Wallace R. Burke
Assistant Examiner—Kay H. Chin
Attorney, Agent, or Firm—Carella, Byrne, Bain & Gilfillan

[57] CLAIM

The ornamental design for a refuse container, as shown and described.

DESCRIPTION

FIG. 1 is a front perspective view of the refuse container showing our new design; FIG. 2 is a front elevational view thereof; FIG. 3 is a top plan view thereof; FIG. 4 is a bottom plan view thereof; FIG. 5 is a left side elevational view thereof, the right side elevational view being a mirror image of that shown; FIG. 6 is a rear elevational view thereof; FIG. 7 is a front perspective view of a second embodiment of the refuse container; FIG. 8 is a front elevational view of FIG. 7; FIG. 9 is a left side elevational view of FIG. 7, the right side elevational view being a mirror image of that shown; FIG. 10 is an exploded perspective view of the top portion of the refuse container, the bottom portion of the refuse container is omitted for convenience of illustration; FIG. 11 is a front perspective view of a third embodiment of the refuse container; FIG. 12 is a front elevational view of FIG. 11; FIG. 13 is a left side elevational view of FIG. 11, the right side elevational view being a mirror image of that shown; and FIG. 14 is a rear elevational view of FIG. 11; The top view and the bottom view of the second embodiment and third embodiment are identical to that shown in FIGS. 3 and 4 of the drawings.

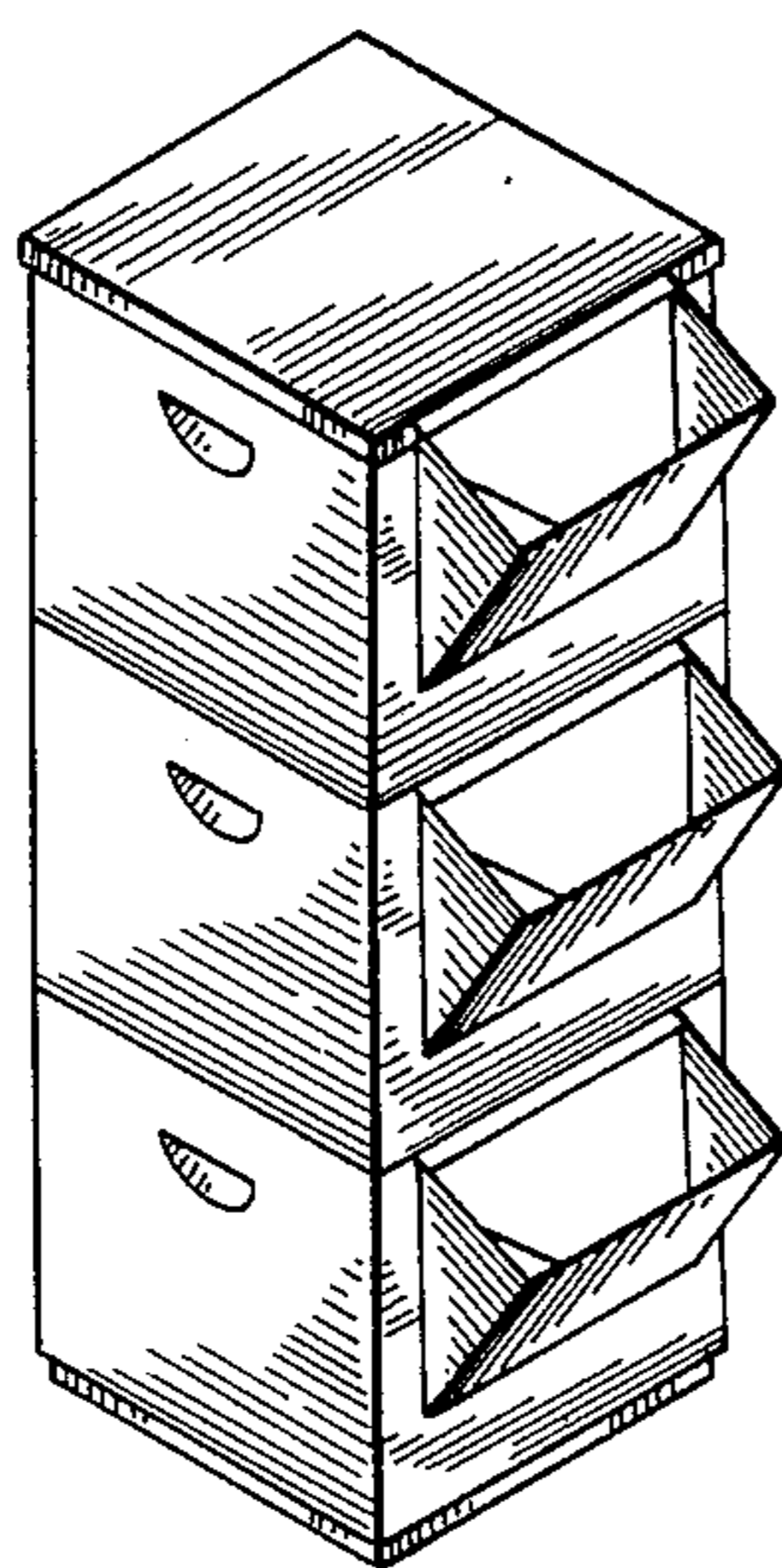


FIG. 1

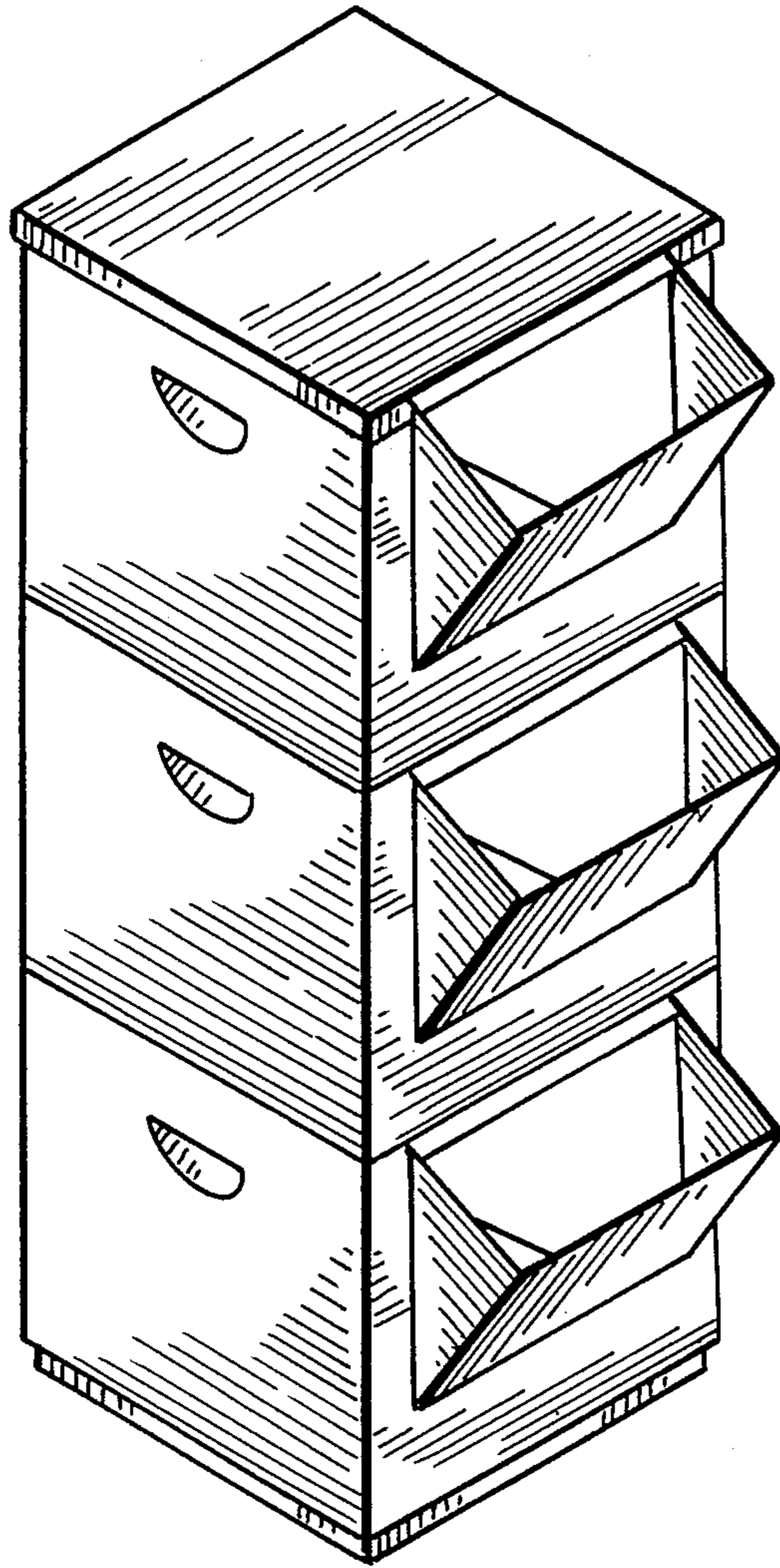


FIG. 2

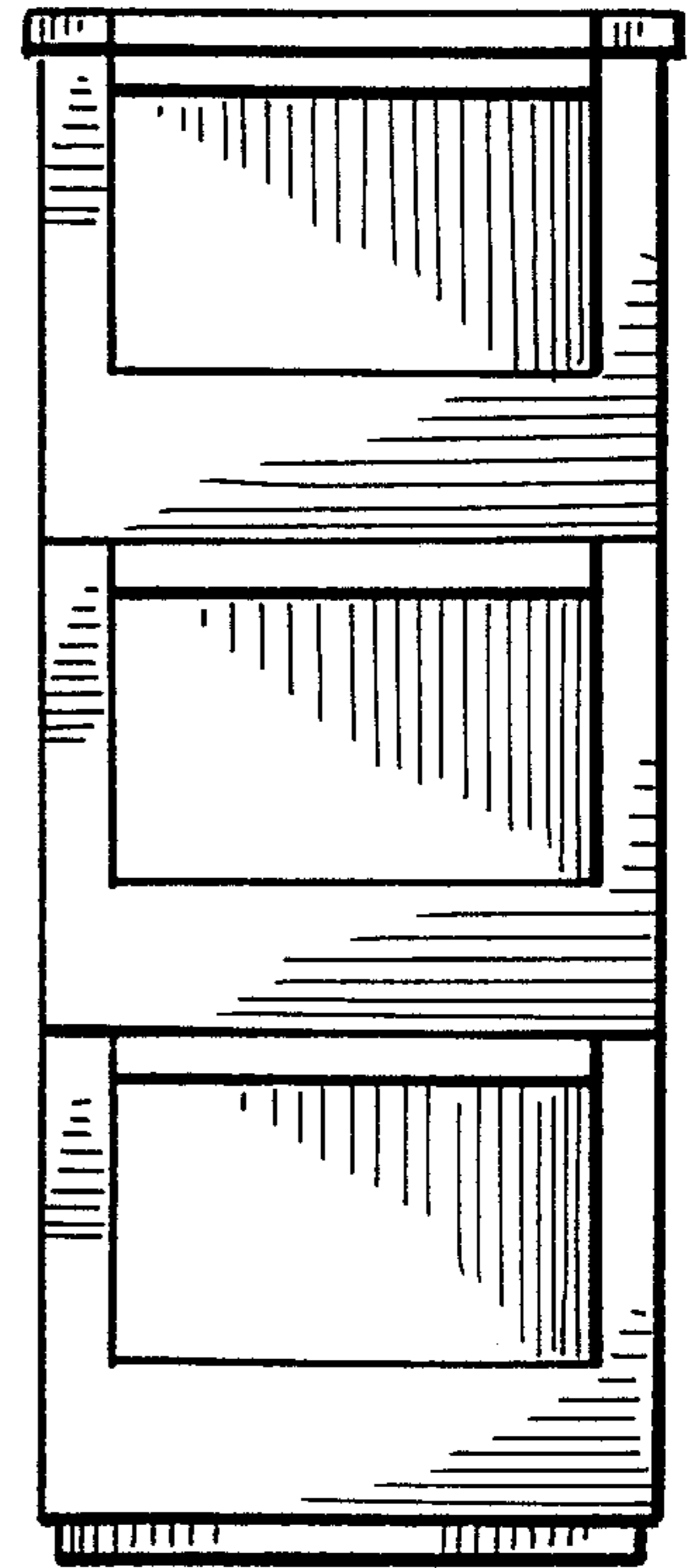


FIG. 3

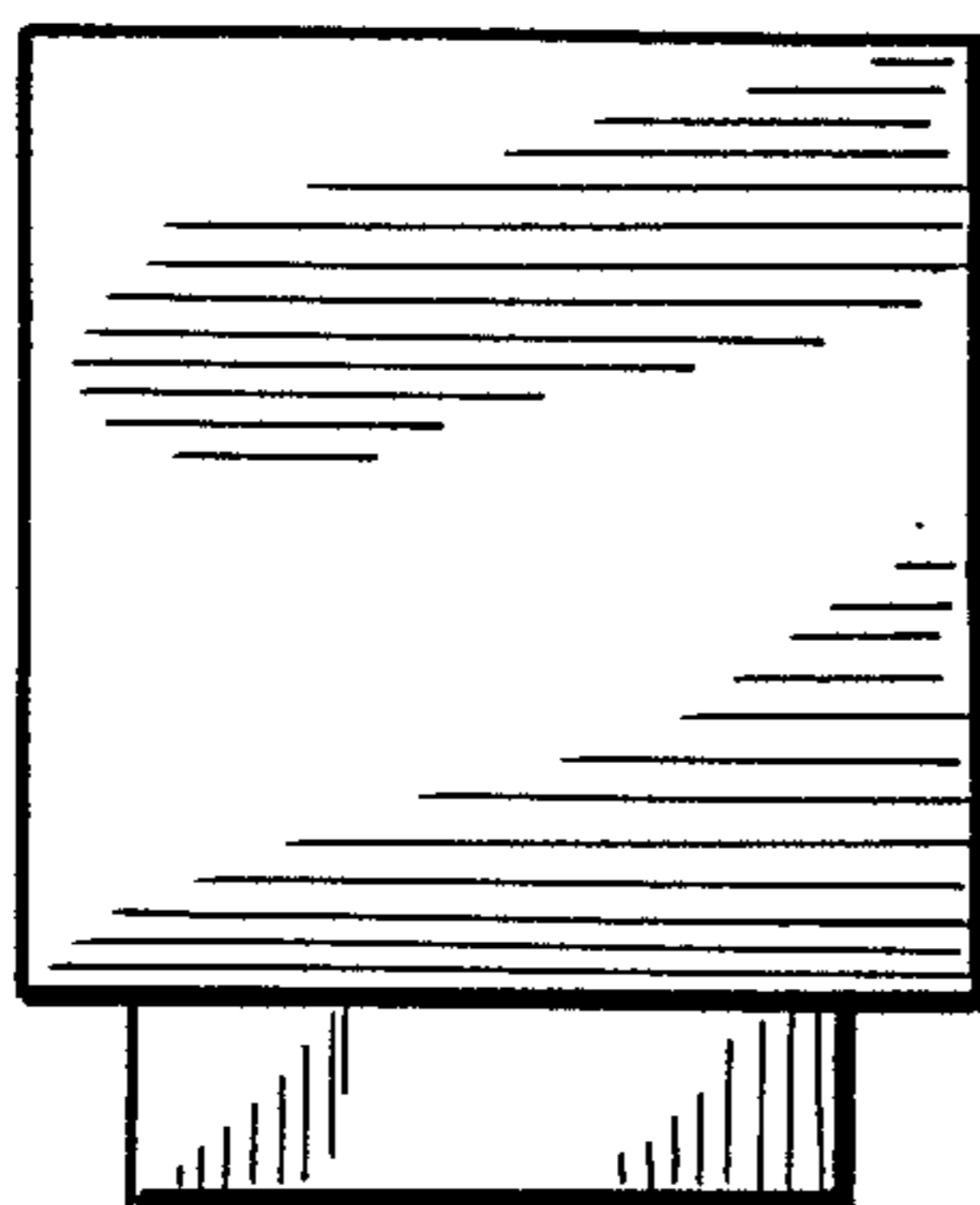


FIG. 4

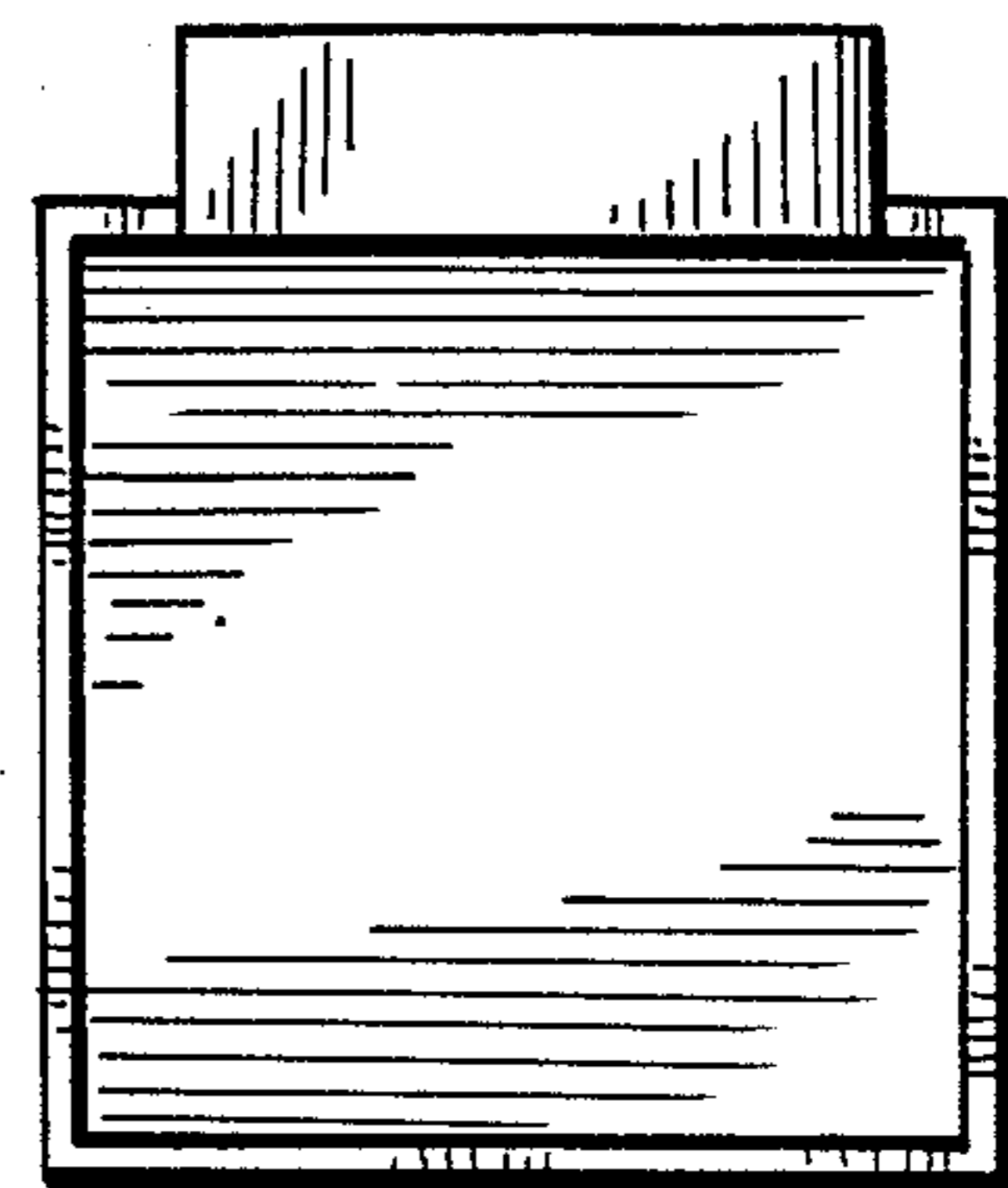


FIG. 5

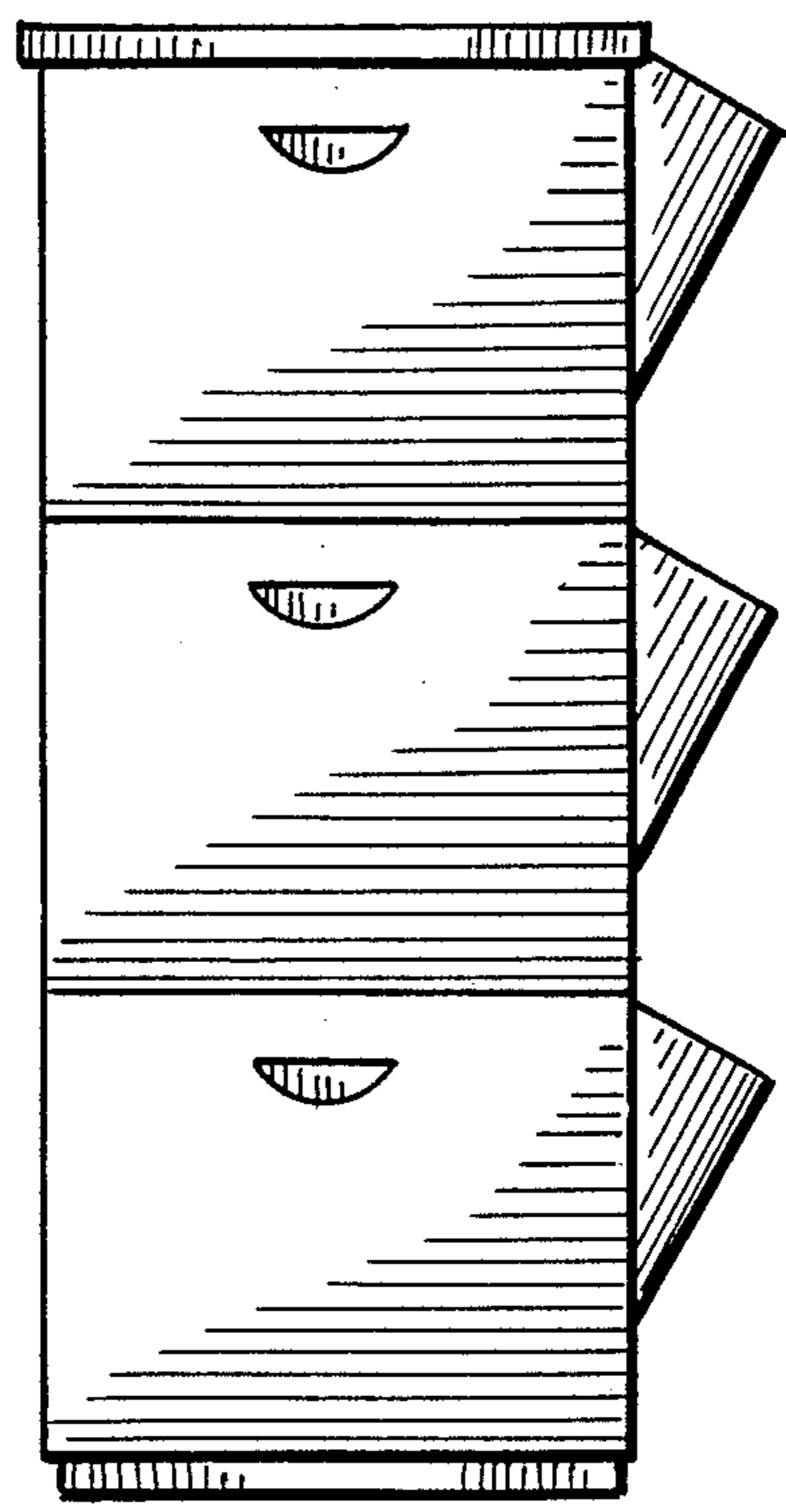


FIG. 6

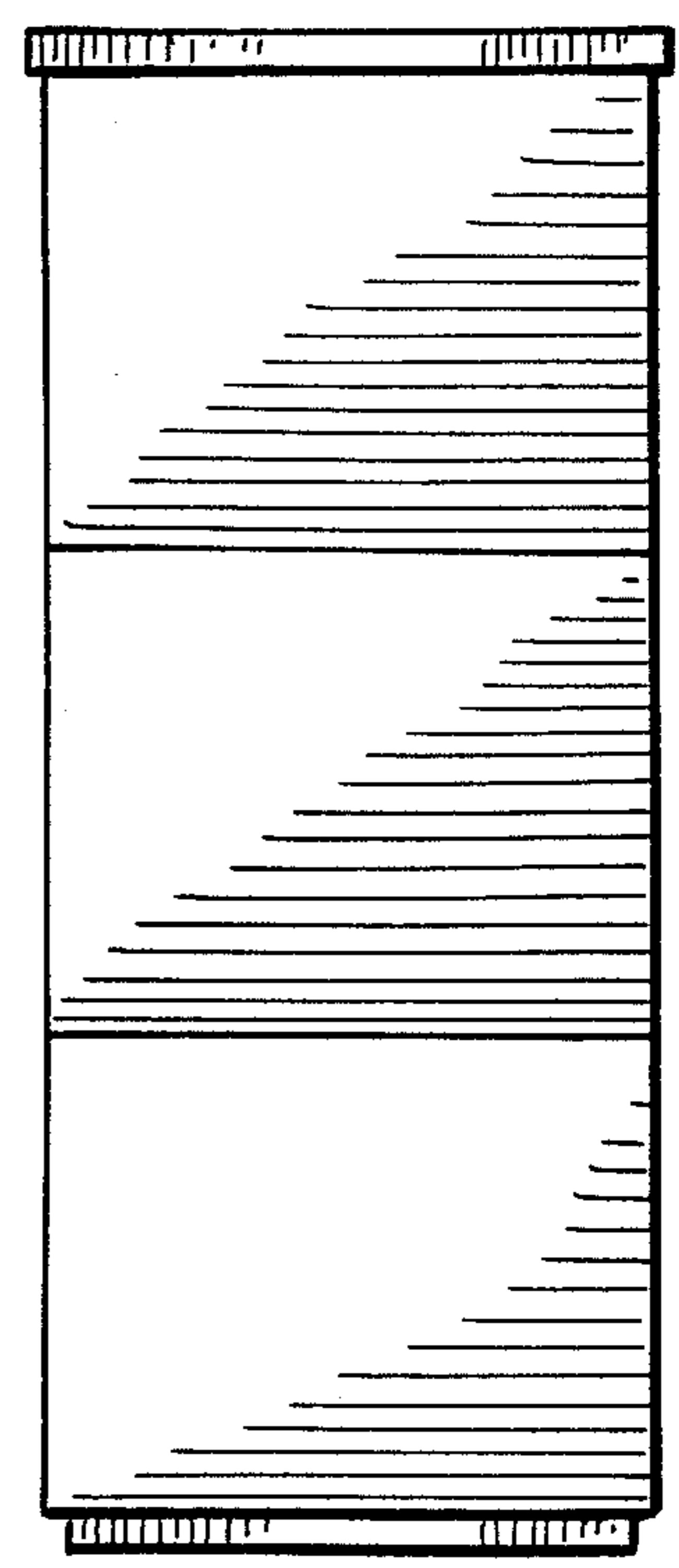


FIG. 7

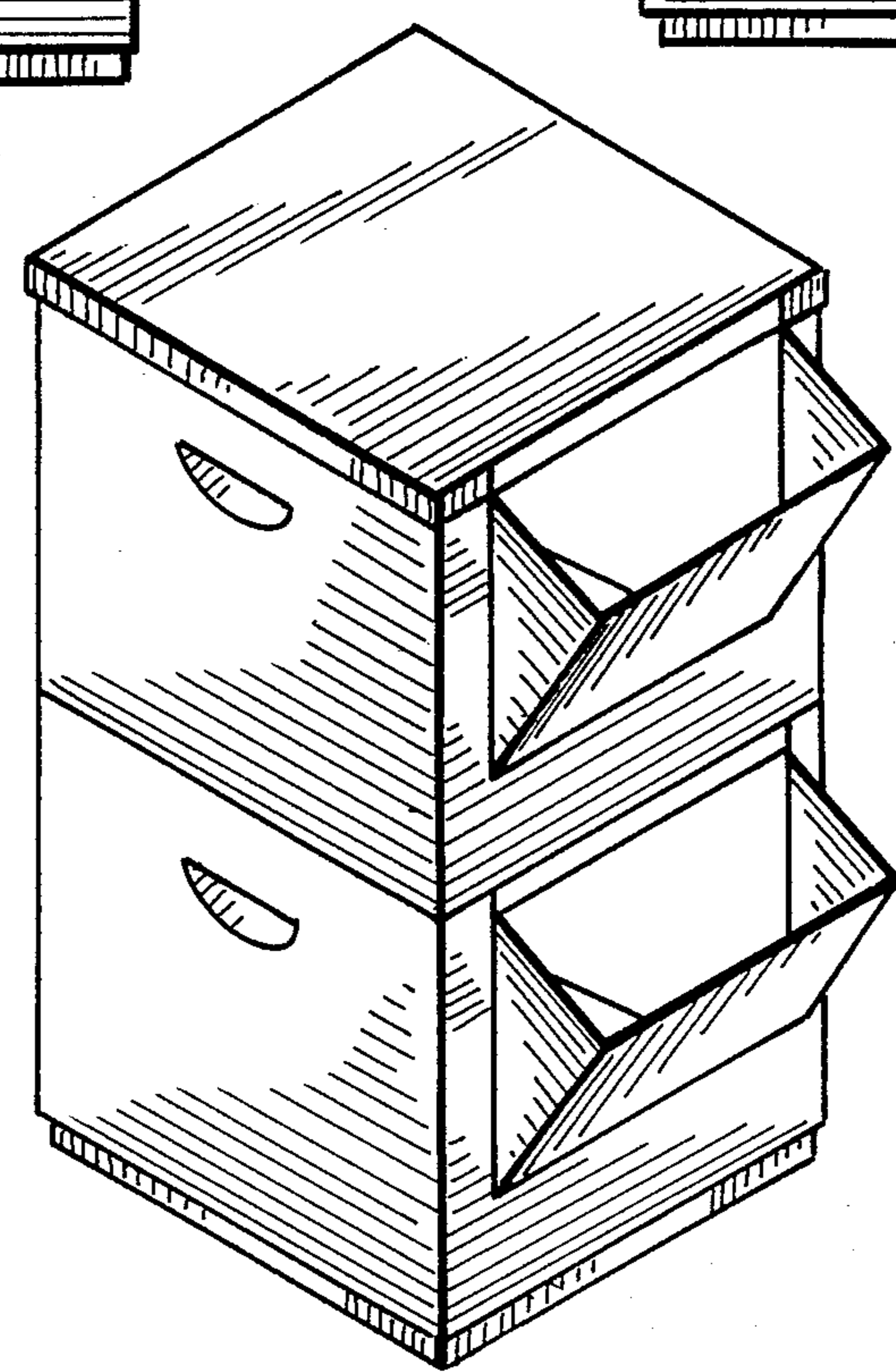


FIG. 8

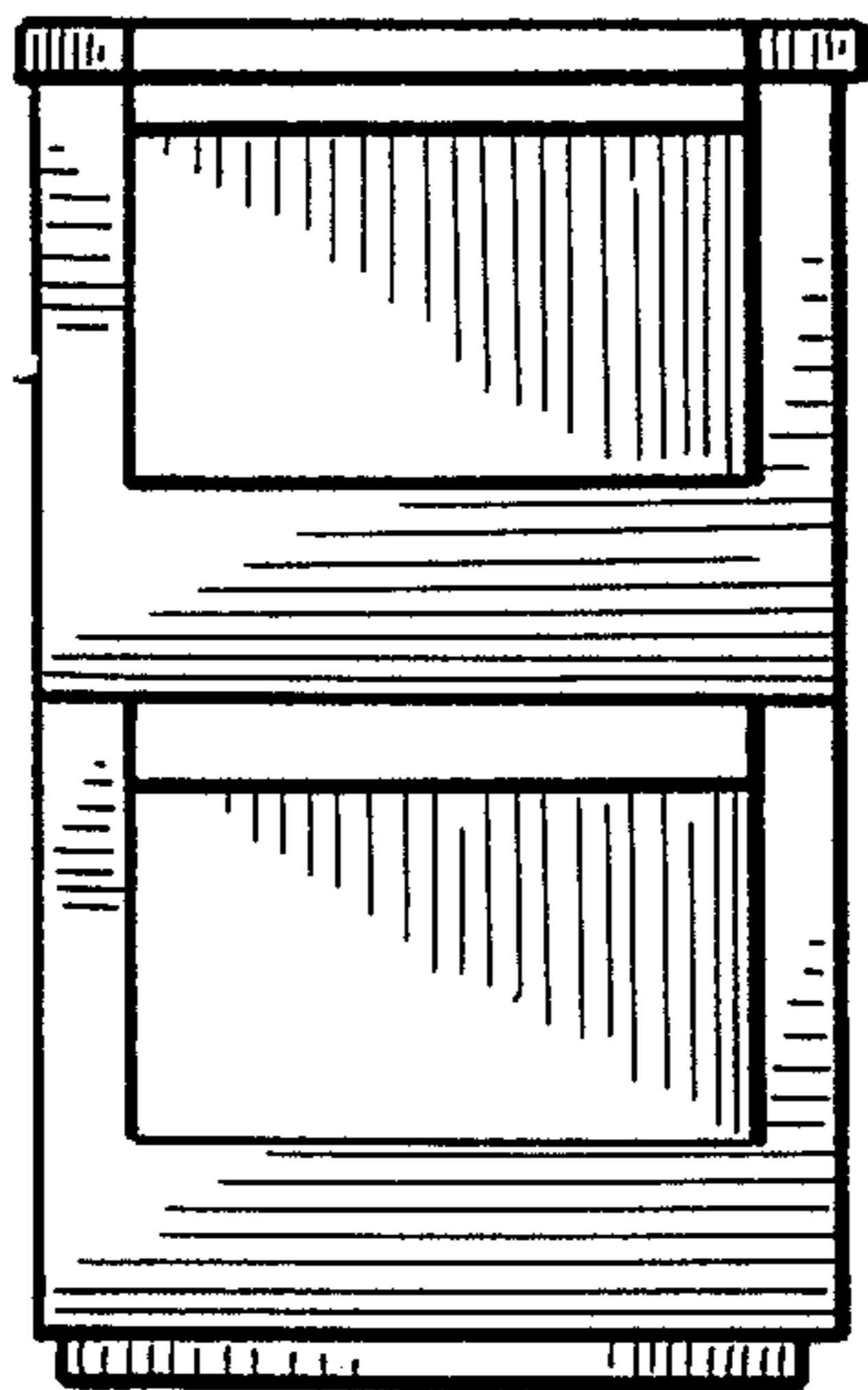


FIG. 9

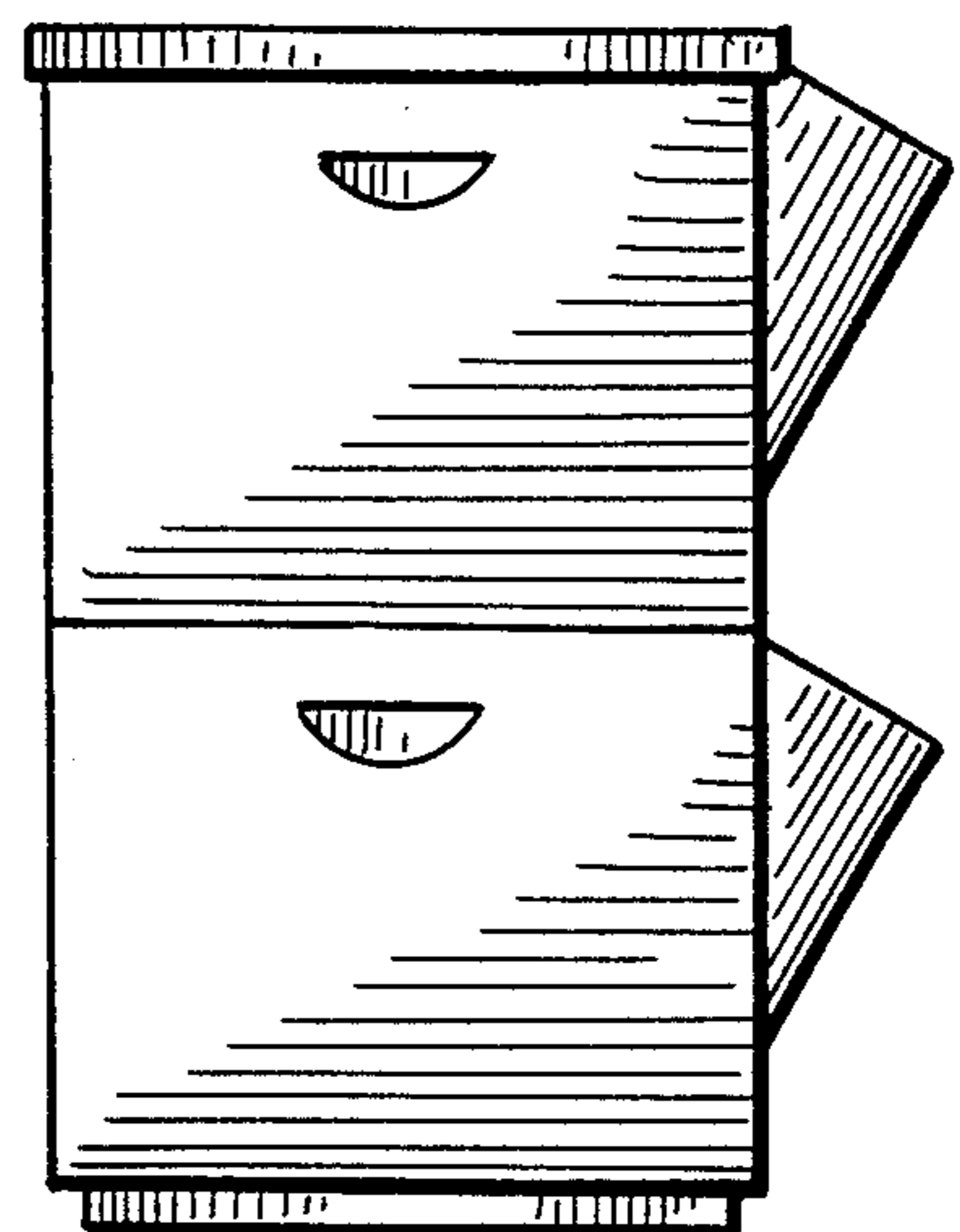


FIG. 10

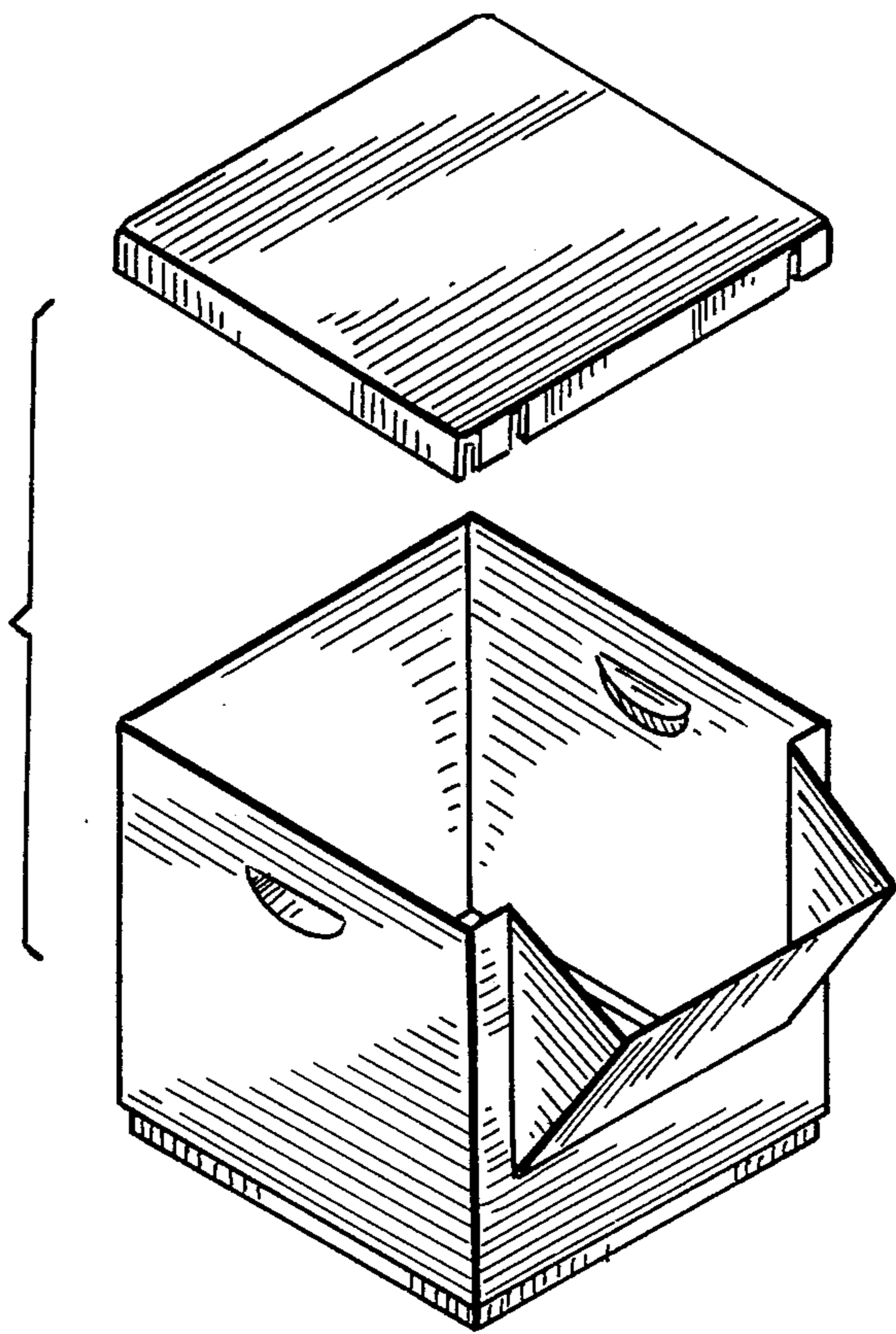


FIG. 11

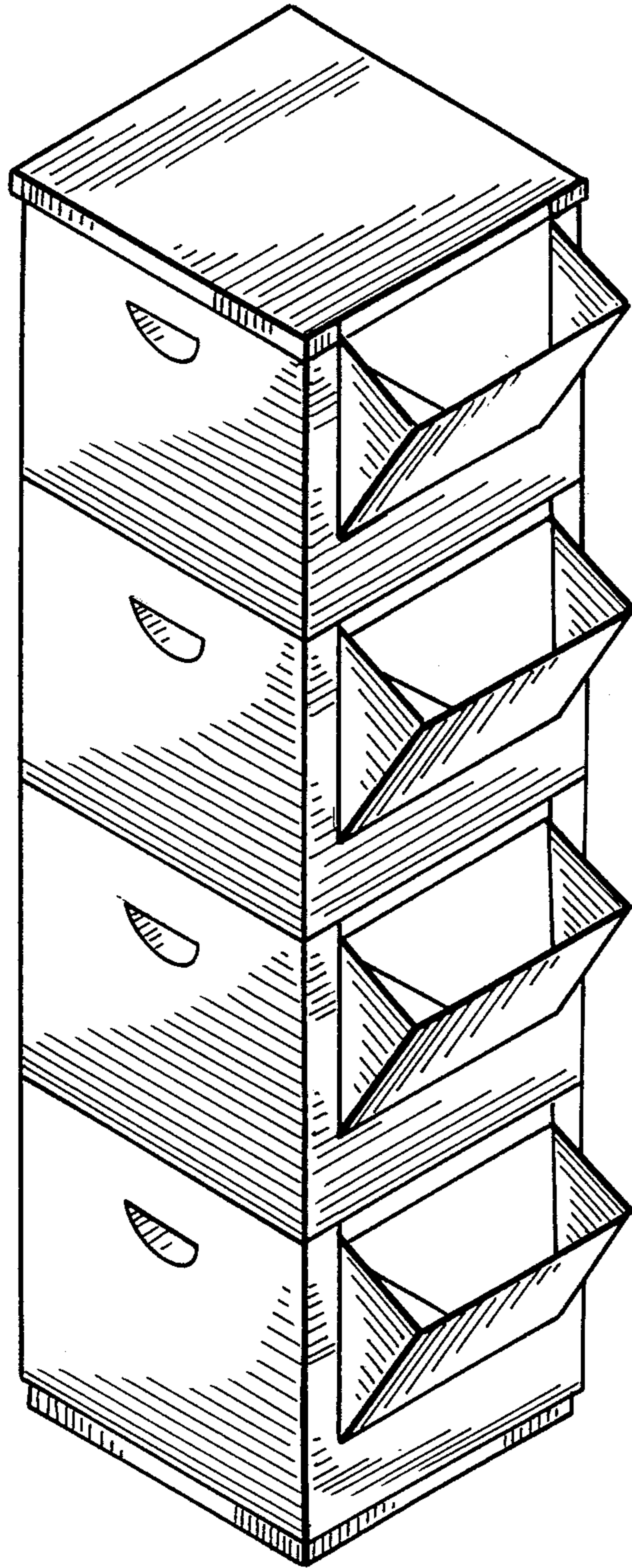


FIG. 12

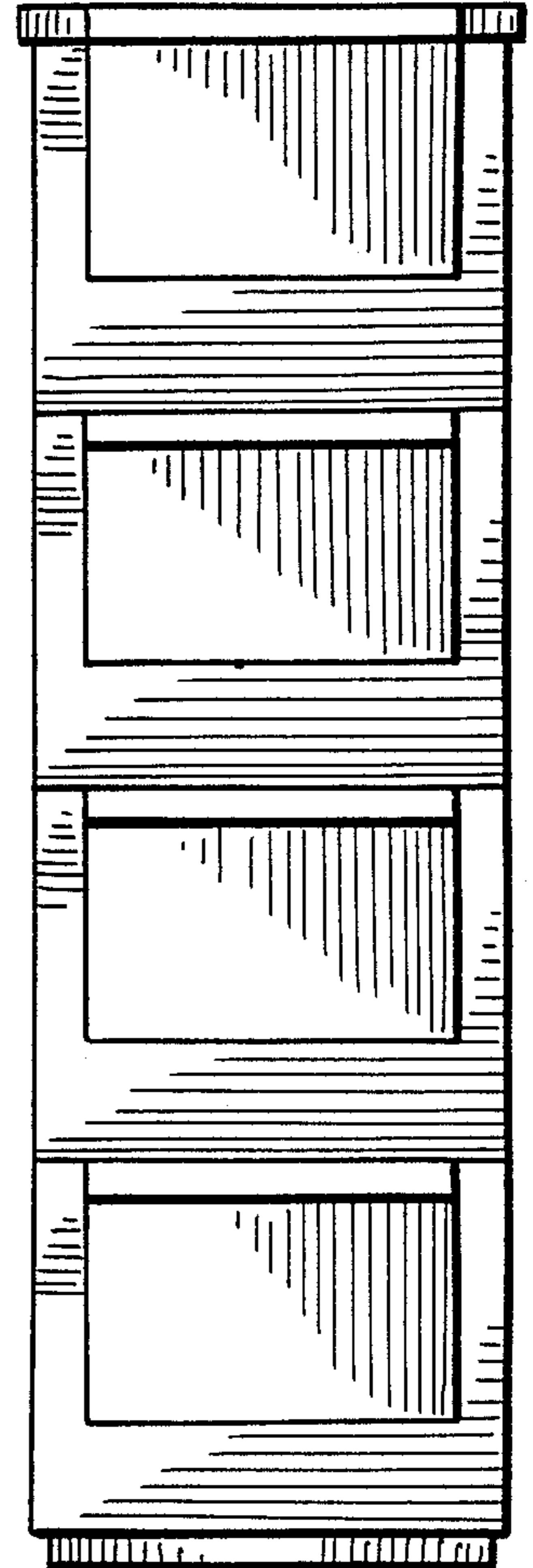


FIG. 13

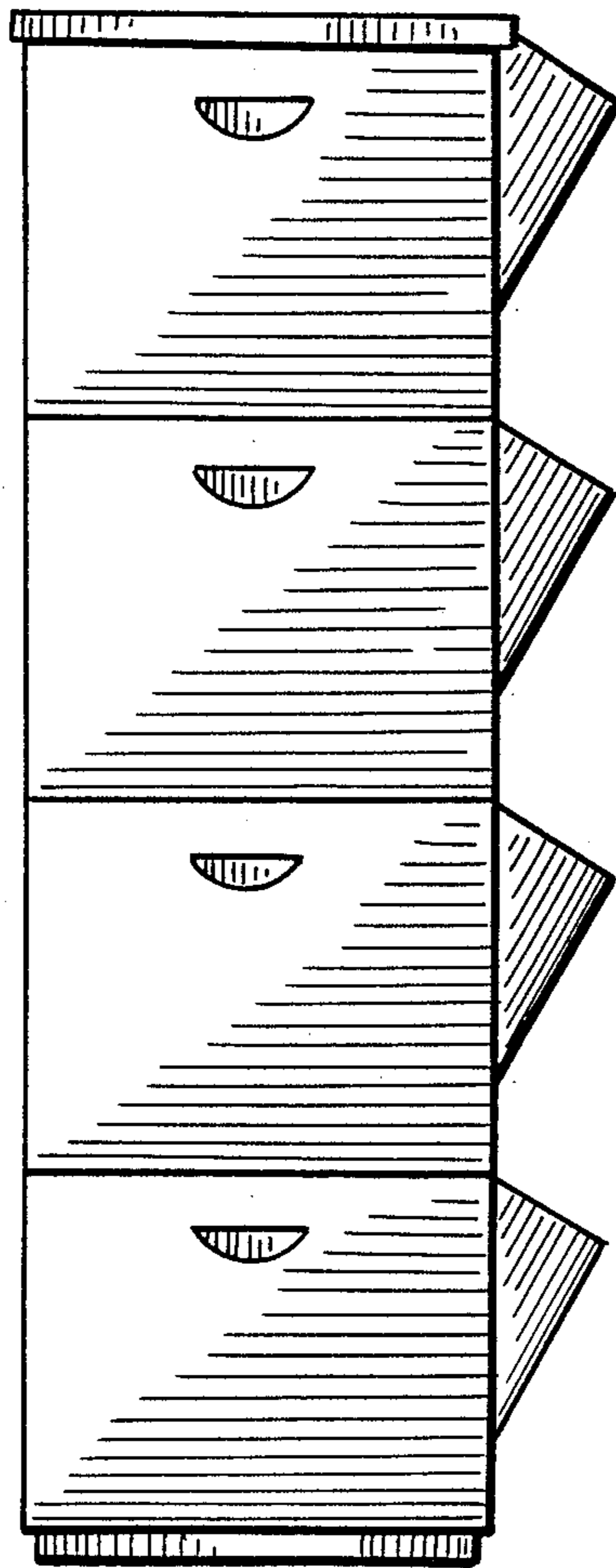


FIG. 14

