

[54] **BOOT AND SHOE DRYER**

[76] Inventor: **Douglas Johnson**, 639 E. 1275,
Shelley, Id. 83274

[**] Term: **14 Years**

[21] Appl. No.: **77,779**

[22] Filed: **Jul. 23, 1987**

[52] U.S. Cl. **D32/58**

[58] Field of Search **D6/315, 317, 320, 323,
D6/552, 567, 569; D32/35, 58-59; 34/103-104,
106, 239; 211/34-35, 37-38**

3,513,564 5/1970 Gramprie 34/104
 3,589,522 0/1971 Chiodo 211/34
 3,798,788 3/1974 Kuntz 34/104
 4,136,464 1/1979 Hay 34/104
 4,200,993 5/1980 Blanc et al. 34/104

Primary Examiner—Wallace R. Burke
Assistant Examiner—Lavone D. Tabor
Attorney, Agent, or Firm—Hopkins, French, Crockett,
 Springer & Hoopes

[56] **References Cited**

U.S. PATENT DOCUMENTS

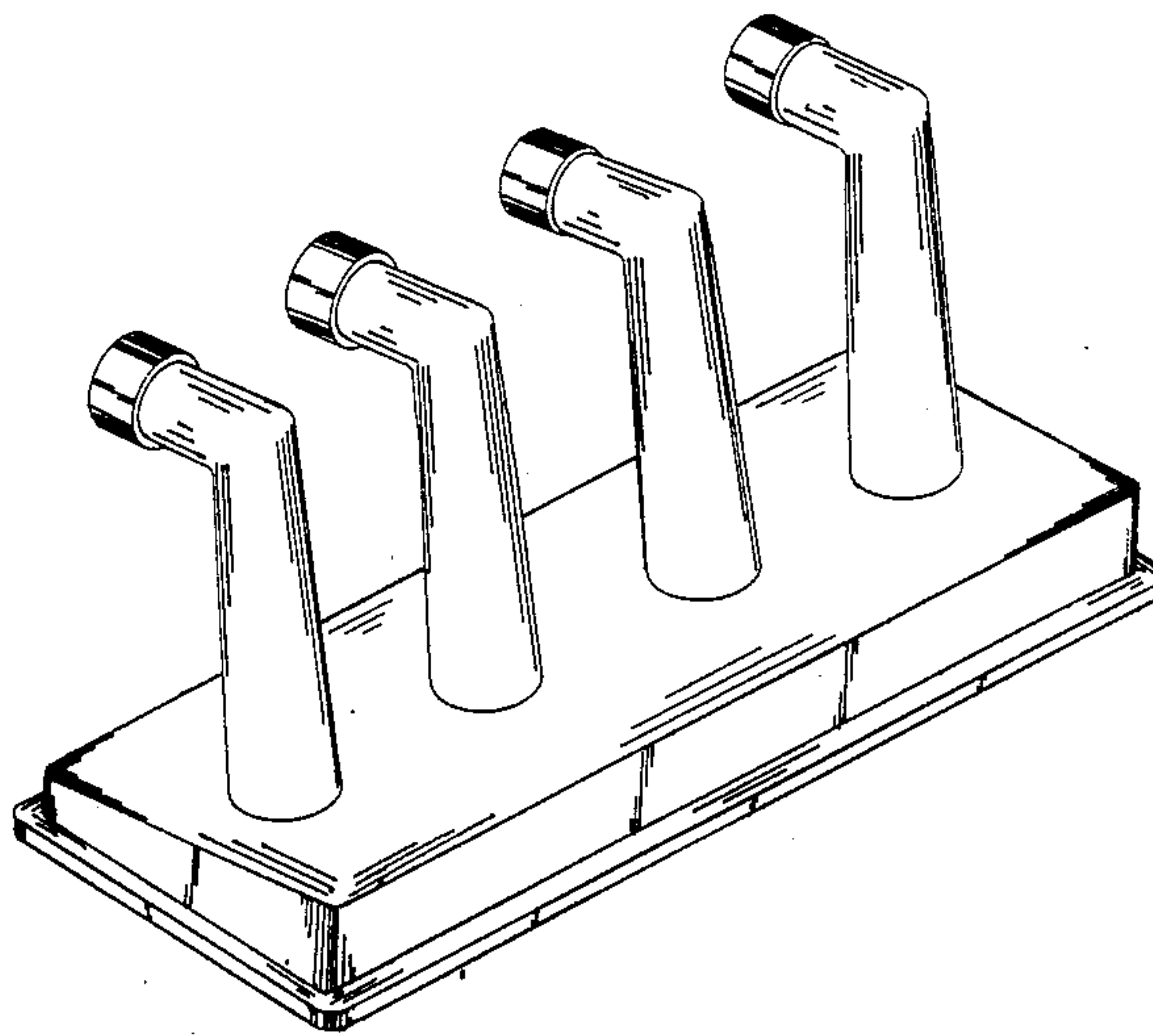
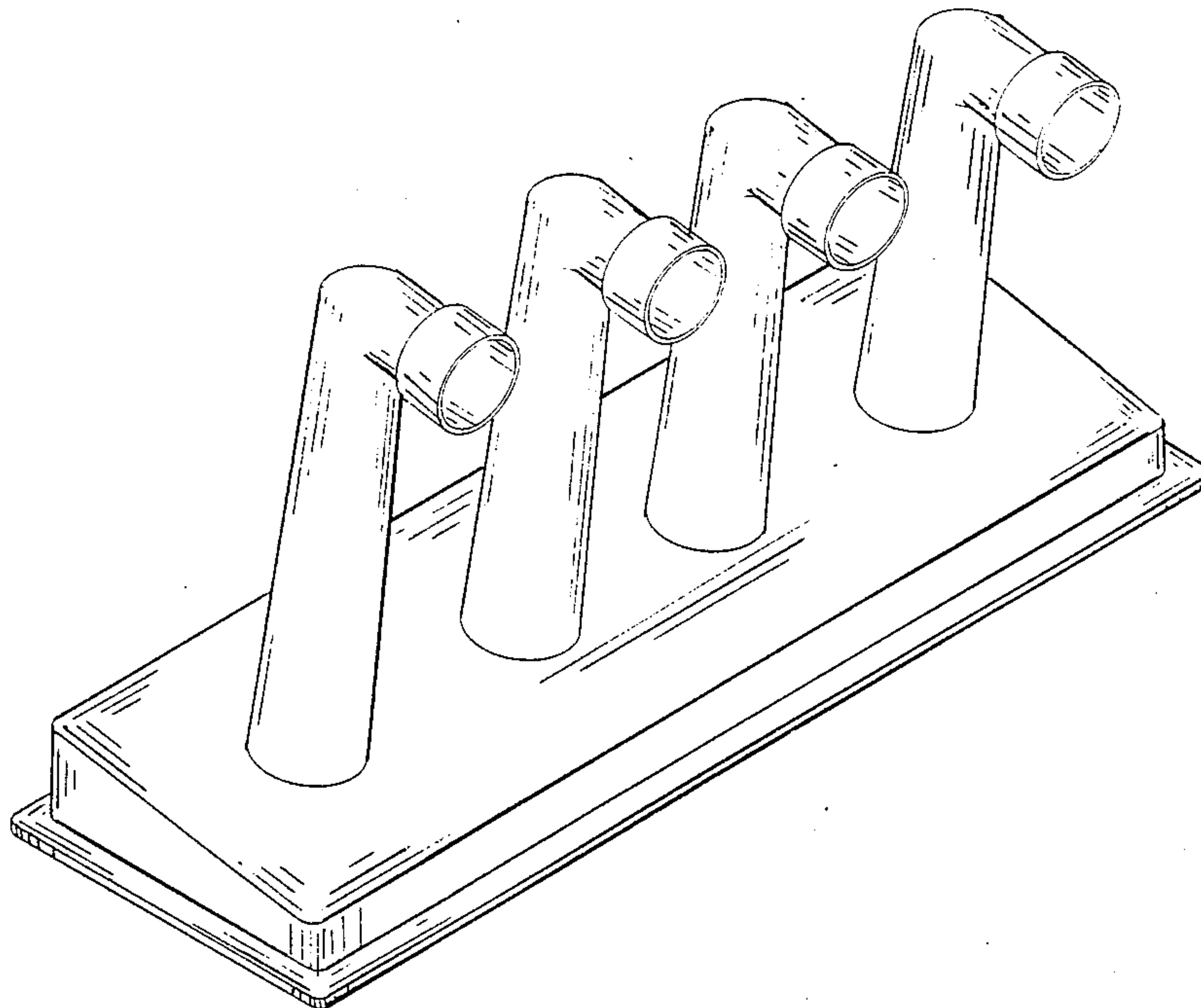
402,137 0/1889 Bryant 211/37 X
 1,380,683 0/1921 Sanders 211/35
 1,444,264 0/1923 O'Neill 211/37 X

[57] **CLAIM**

The ornamental design for a boot and shoe dryer, as shown and described.

DESCRIPTION

FIG. 1 is a front perspective view of a boot and shoe dryer showing my new design; and FIG. 2 is a rear perspective view thereof. The undisclosed bottom is open and unornamented.



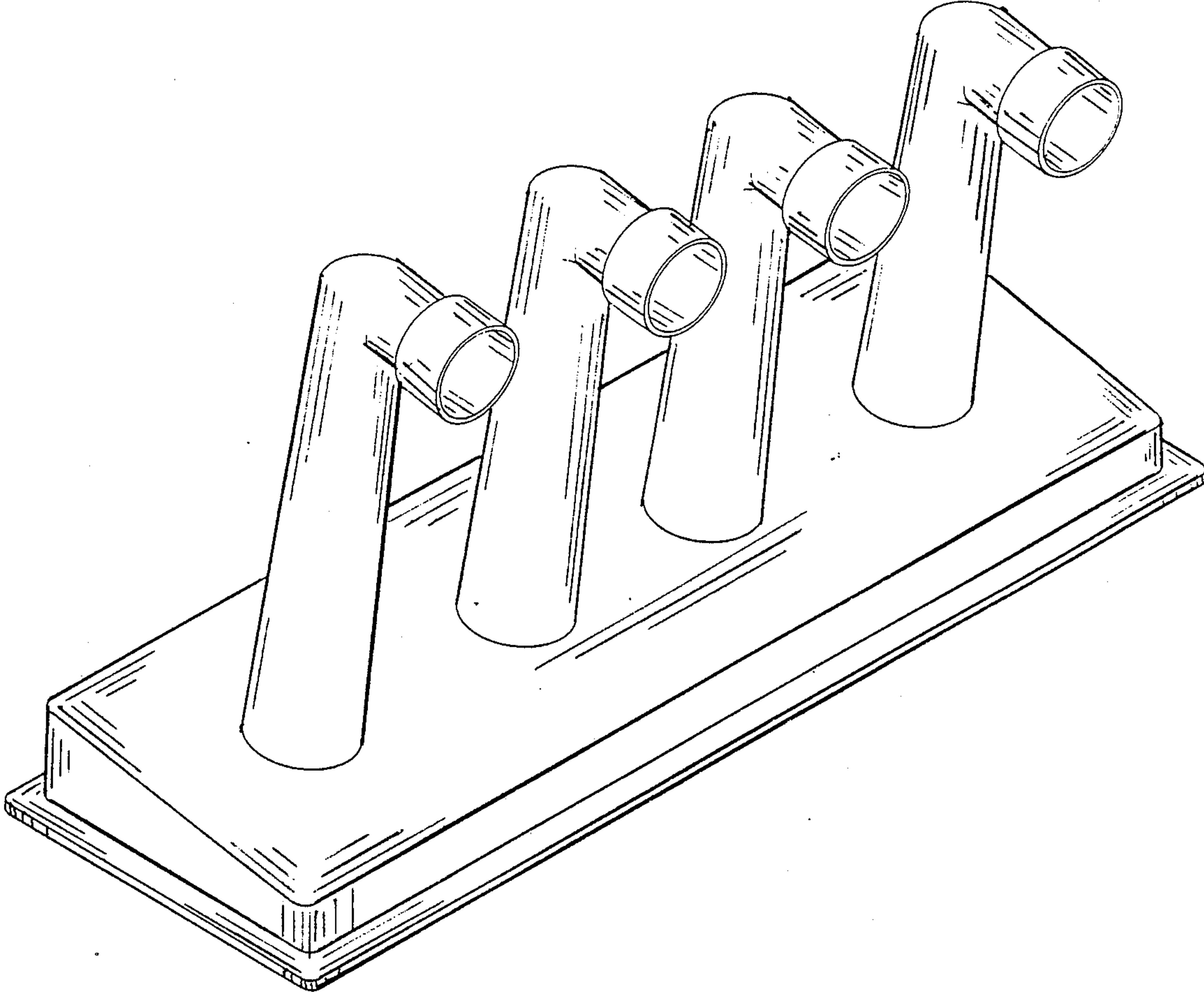


FIG. 1

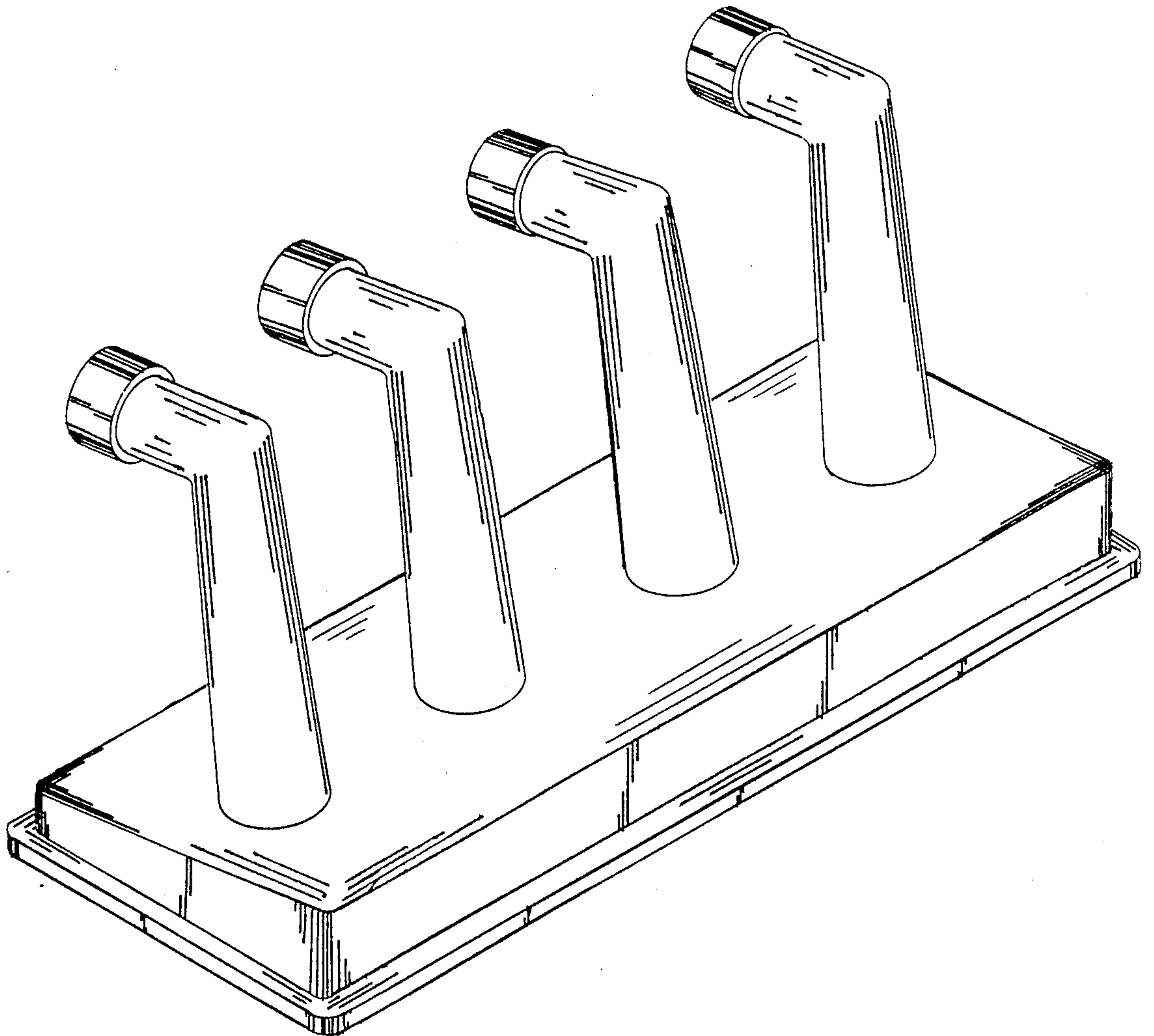


FIG. 2