

[54] **COSMETIC STICK CONTAINER**
 [75] **Inventor: Karena Bakic, Varese, Italy**
 [73] **Assignee: Cosmede Anstalt, Vaduz, Liechtenstein**
 [**] **Term: 14 Years**
 [21] **Appl. No.: 143,697**
 [22] **Filed: Jan. 14, 1988**

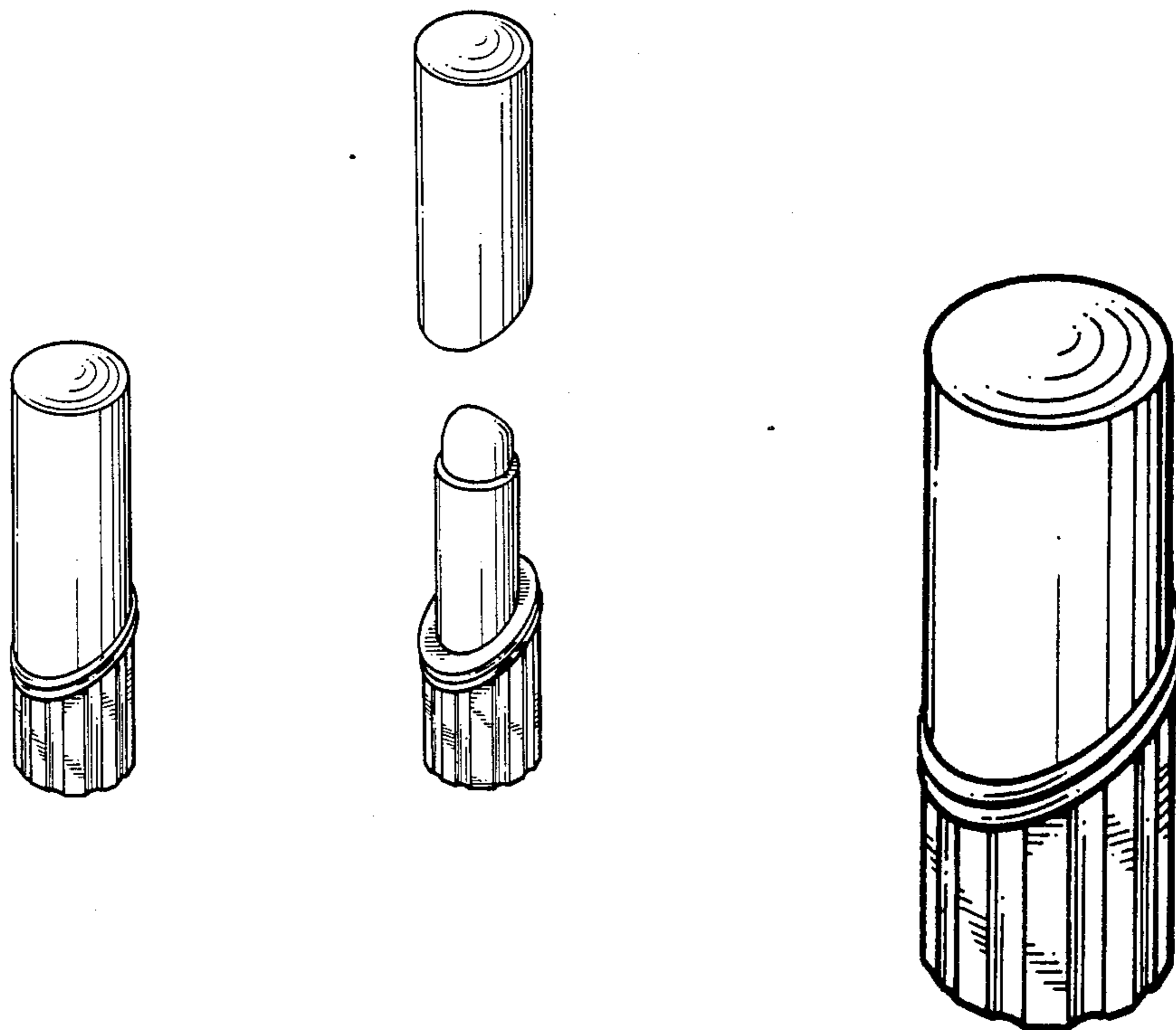
[30] **Foreign Application Priority Data**
 Jul. 28, 1987 [DE] Fed. Rep. of Germany URA1061/87
 [52] **U.S. Cl. D28/88**
 [58] **Field of Search D28/4-7, D28/73, 85-91.1; D9/351, 355; 220/DIG. 26; 206/235, 385, 581, 823; 132/317, 318, 320**

[56] **References Cited**
U.S. PATENT DOCUMENTS
 D. 62,315 5/1923 Bassaler D9/377
 D. 92,581 6/1934 Chesler D28/89 X
 D. 101,741 10/1936 Klein D9/338
 D. 190,214 4/1961 Wester D28/88
 D. 279,827 7/1985 Buchet D28/85
 D. 280,141 8/1985 Holloway D9/398 X
 D. 280,451 9/1985 Bakic D28/88
 D. 282,015 12/1985 Bakic D28/86
 D. 283,454 4/1986 Holloway D28/88
 D. 290,762 7/1987 Holloway D28/89

2,279,781 4/1942 Fogarty D28/87 X
Primary Examiner—Bernard Ansher
Assistant Examiner—C. Tuttle
Attorney, Agent, or Firm—Kenyon & Kenyon

[57] **CLAIM**
 The ornamental design for cosmetic stick container, as shown and described.

DESCRIPTION
 FIG. 1 is a perspective view of a cosmetic stick container showing my new design;
 FIG. 2 is an exploded perspective view thereof;
 FIG. 3 is a bottom plan view thereof;
 FIG. 4 is a rear elevational view thereof;
 FIG. 5 is a side elevational view thereof;
 FIG. 6 is a front elevational view thereof;
 FIG. 7 is a top plan view thereof;
 FIG. 8 is a magnified cross-sectional view along the line VIII—VIII of FIG. 6;
 FIG. 9 is a top perspective view of a second modified embodiment;
 FIG. 10 is an exploded perspective view thereof;
 FIG. 11 is a bottom plan view thereof;
 FIG. 12 is a rear elevational view thereof;
 FIG. 13 is a side elevational view thereof;
 FIG. 14 is a front elevational view thereof;
 FIG. 15 is a top plan view thereof; and
 FIG. 16 is a cross-sectional view thereof, taken on the line XVI—XVI of FIG. 14.



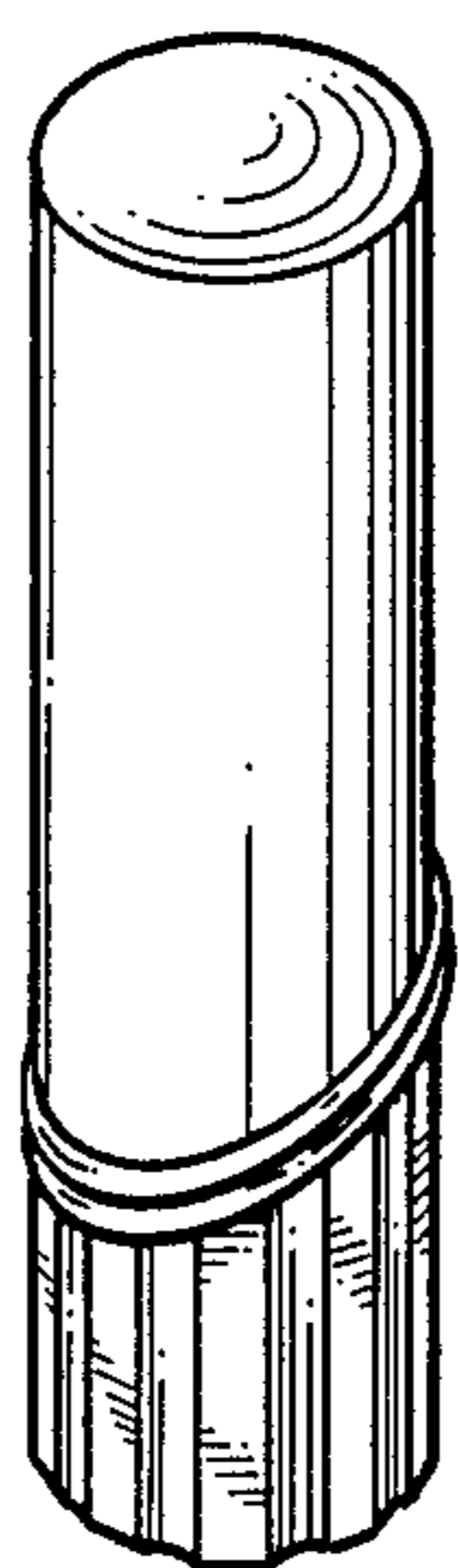


FIG. 1

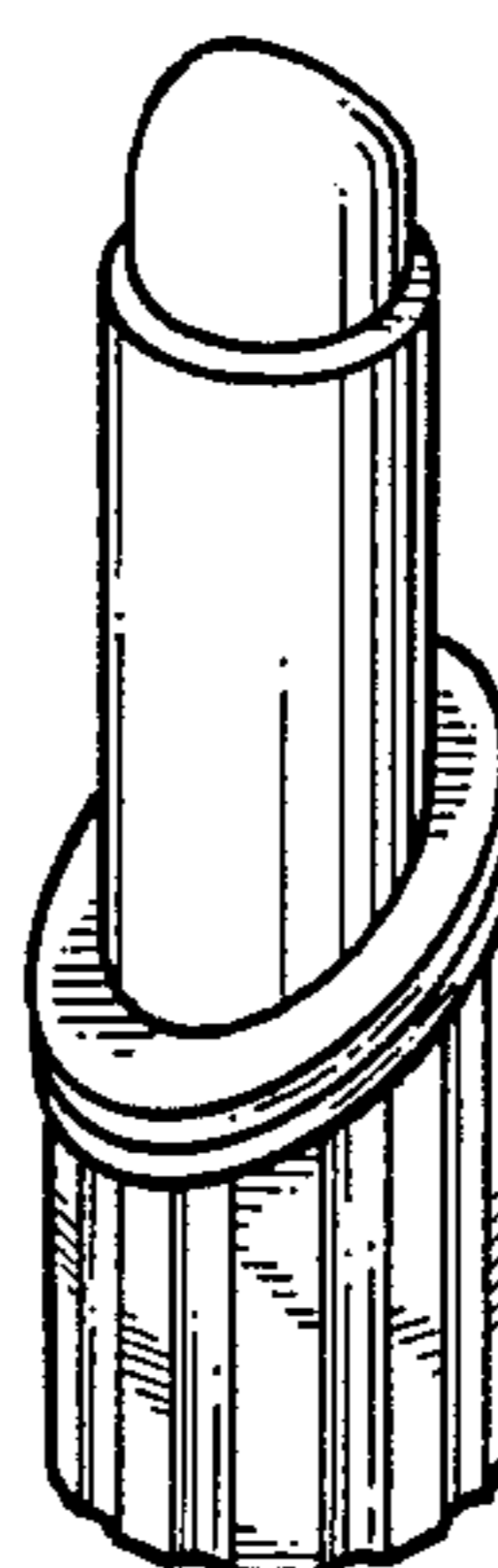
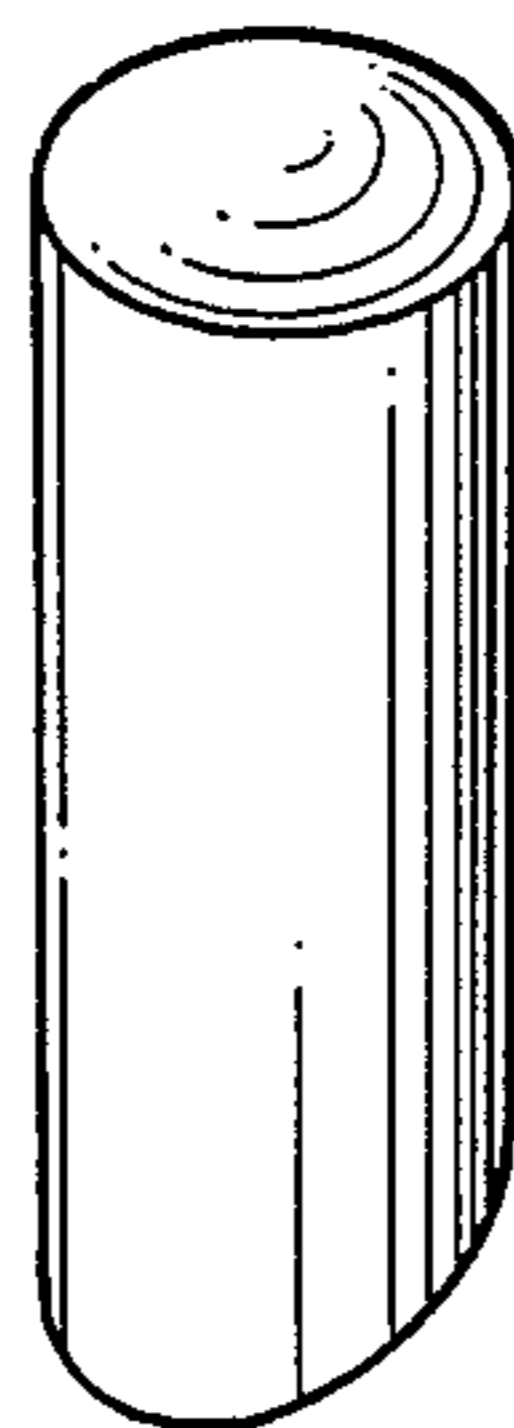


FIG. 2



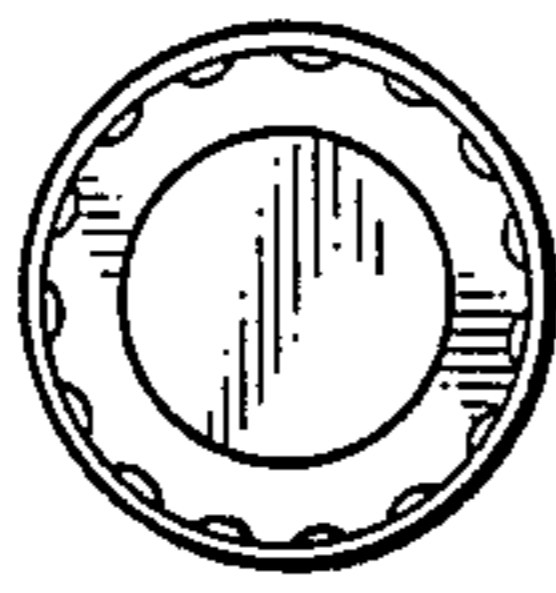


FIG. 3

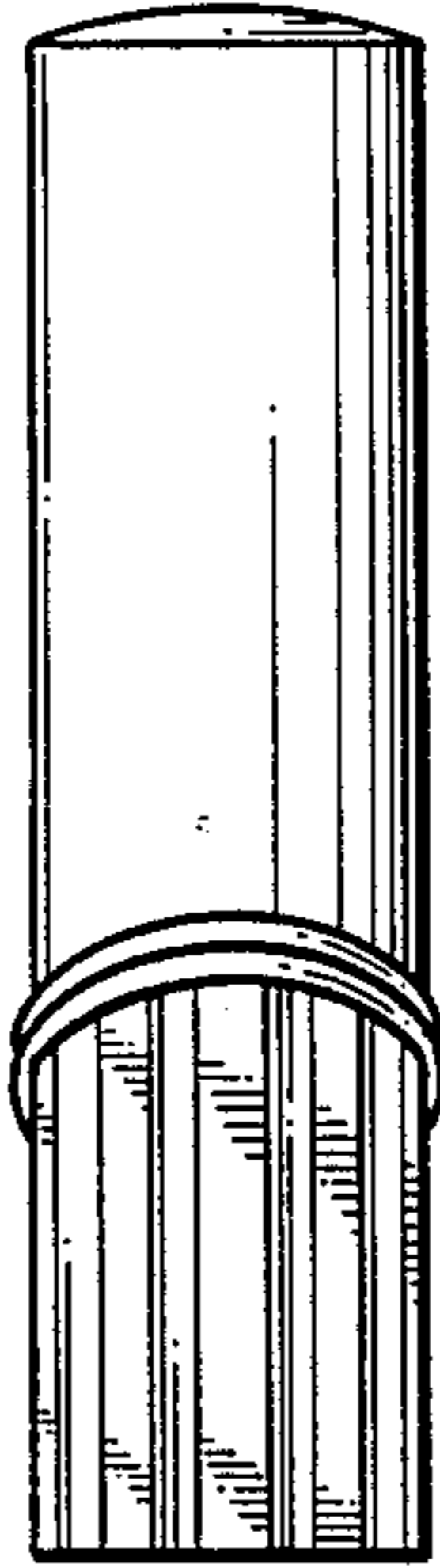


FIG. 4



FIG. 5

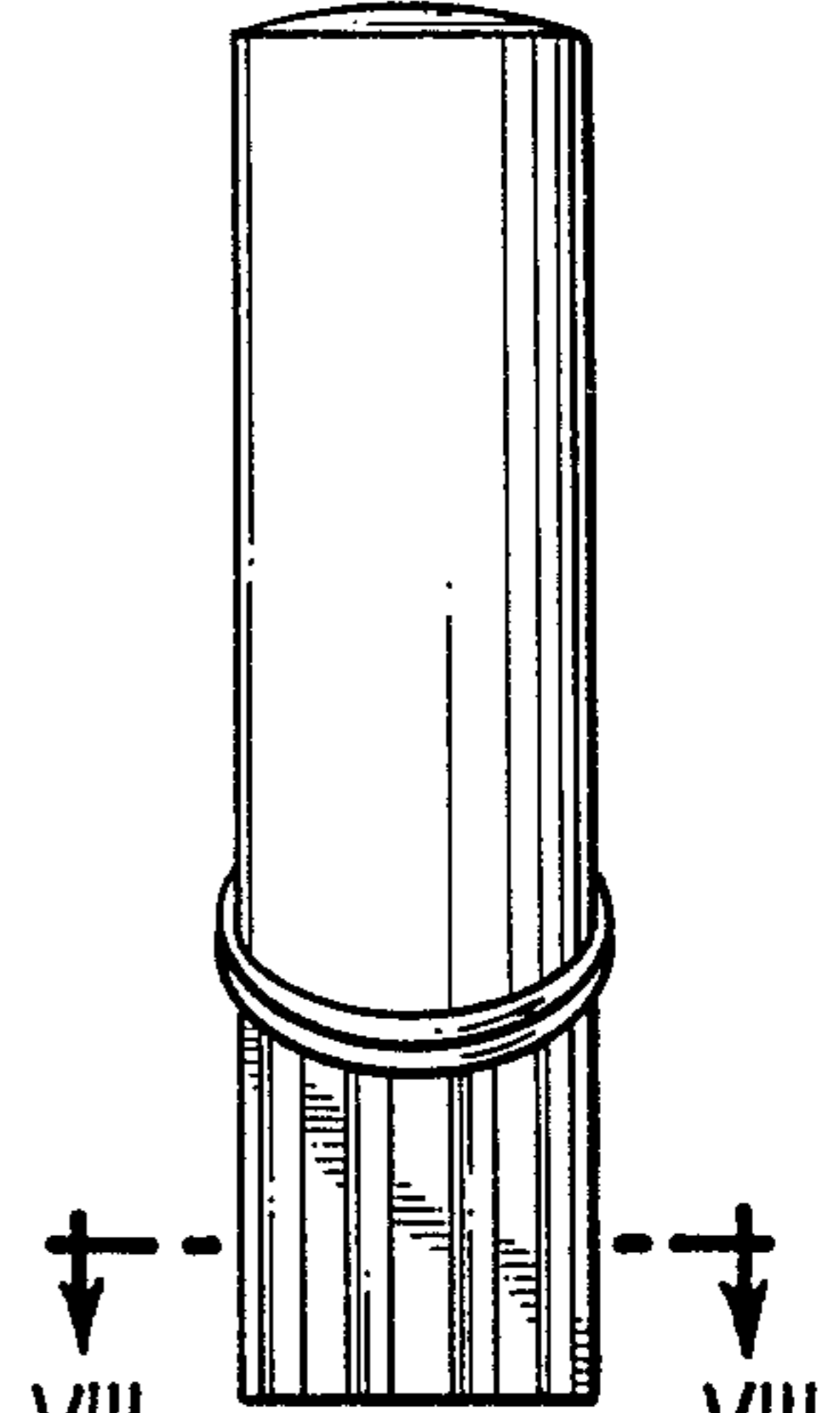


FIG. 6



FIG. 7

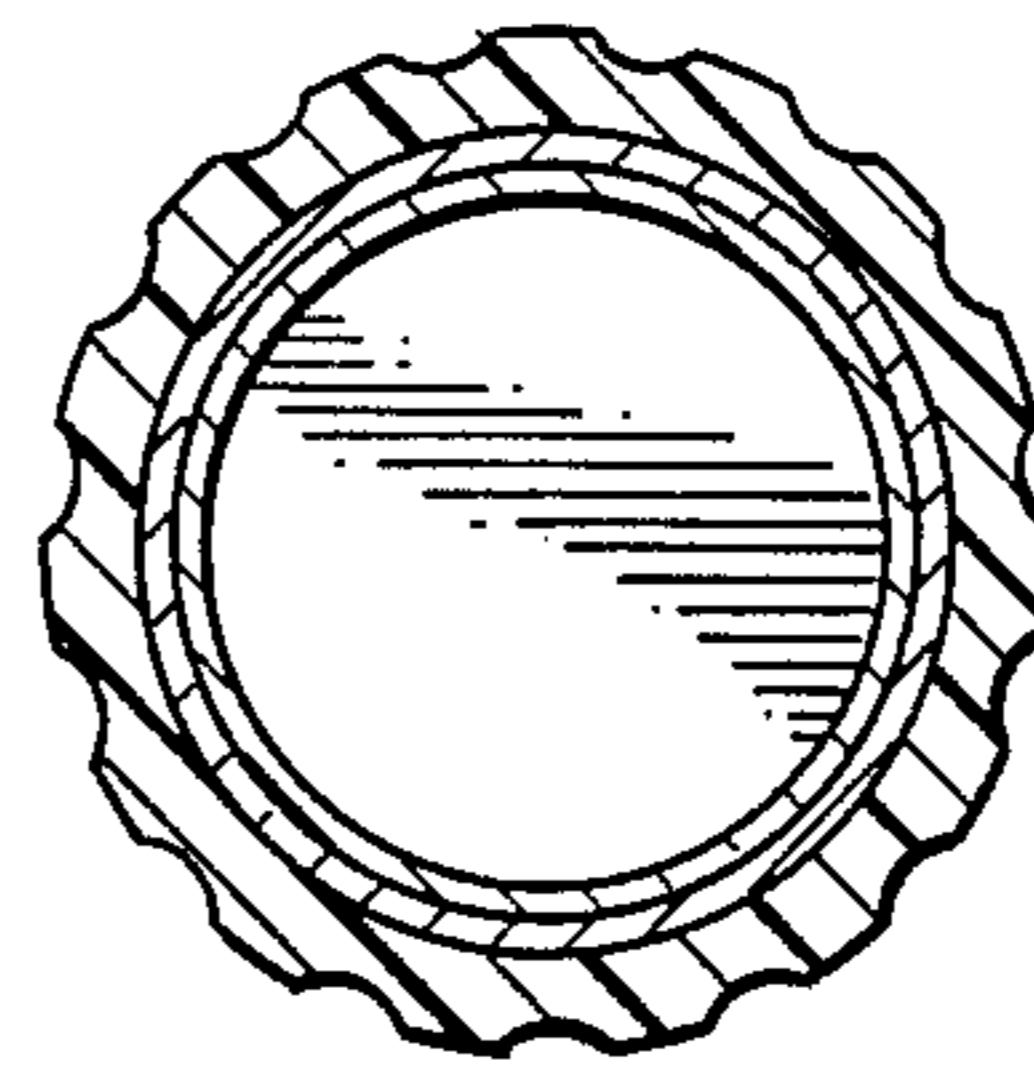


FIG. 8

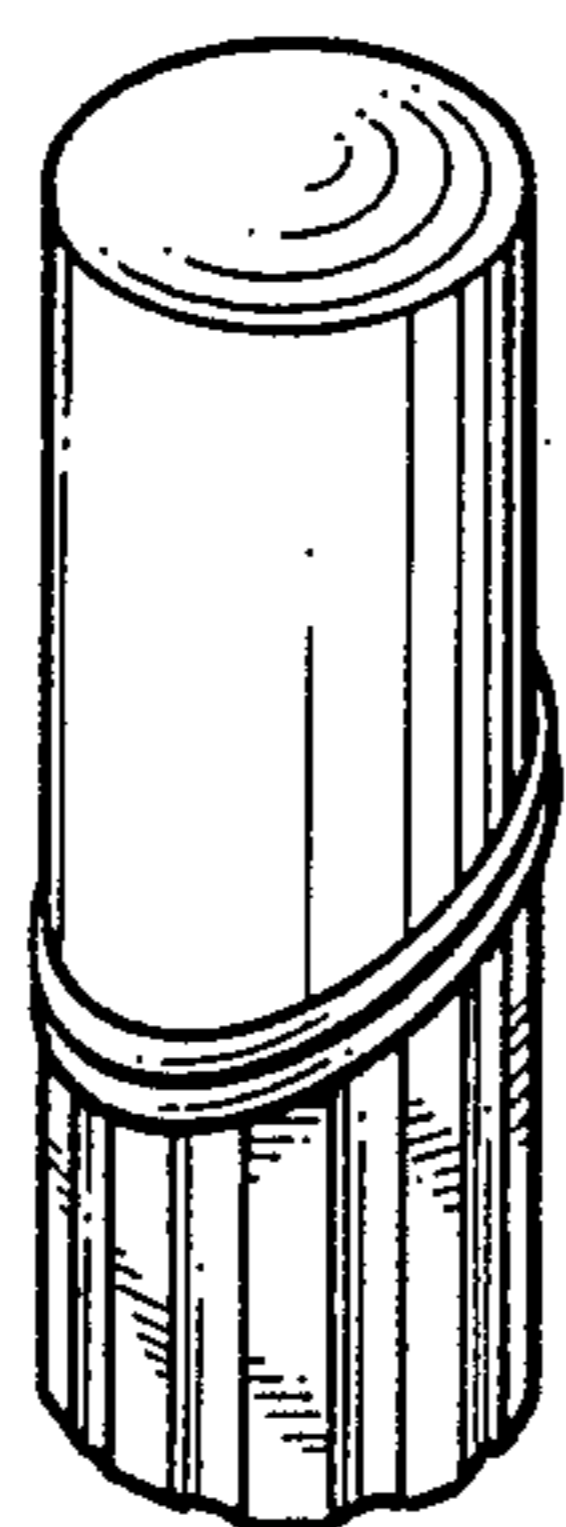


FIG. 9

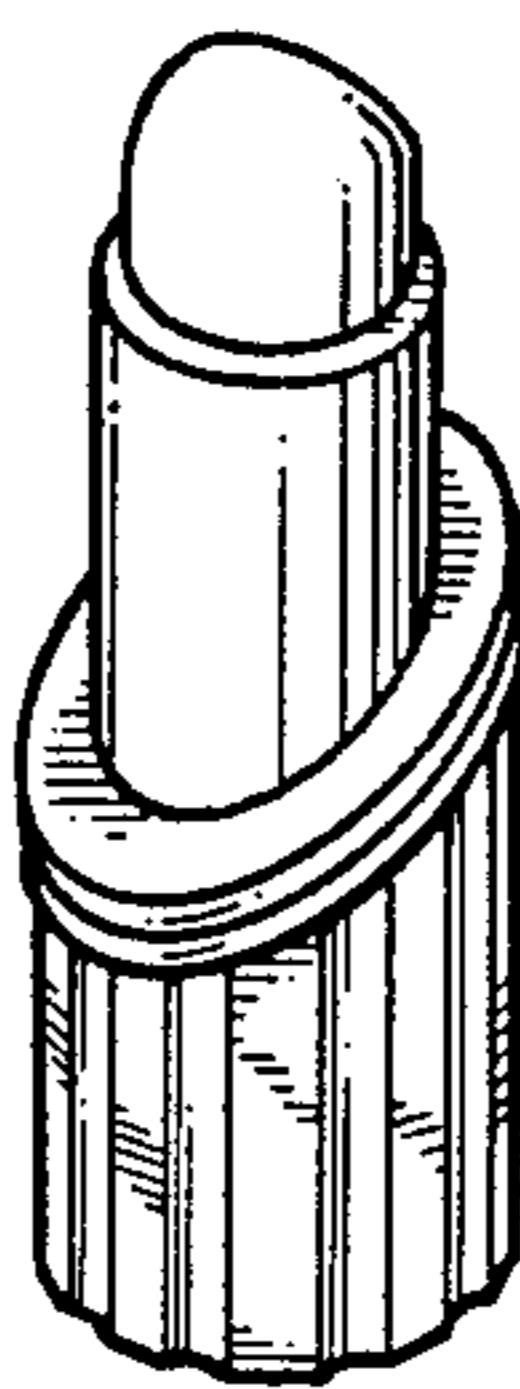
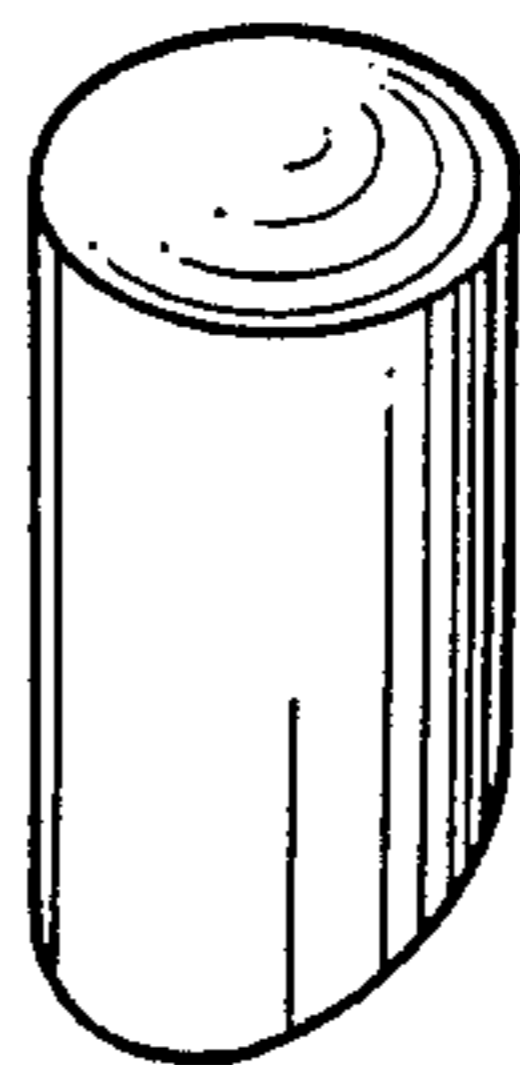


FIG. 10



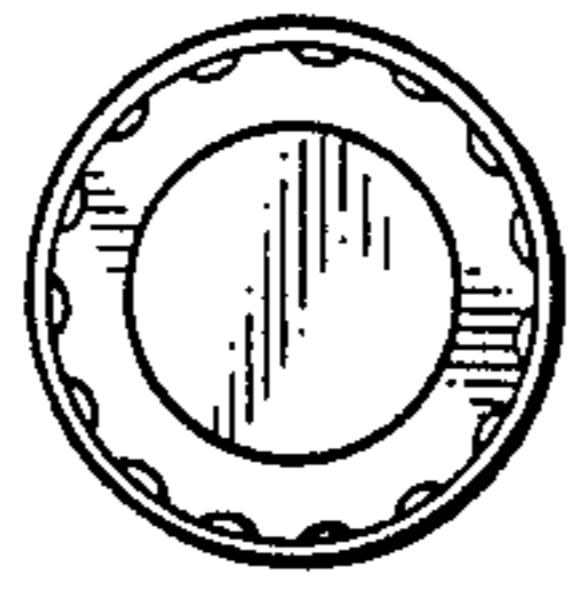


FIG. 11

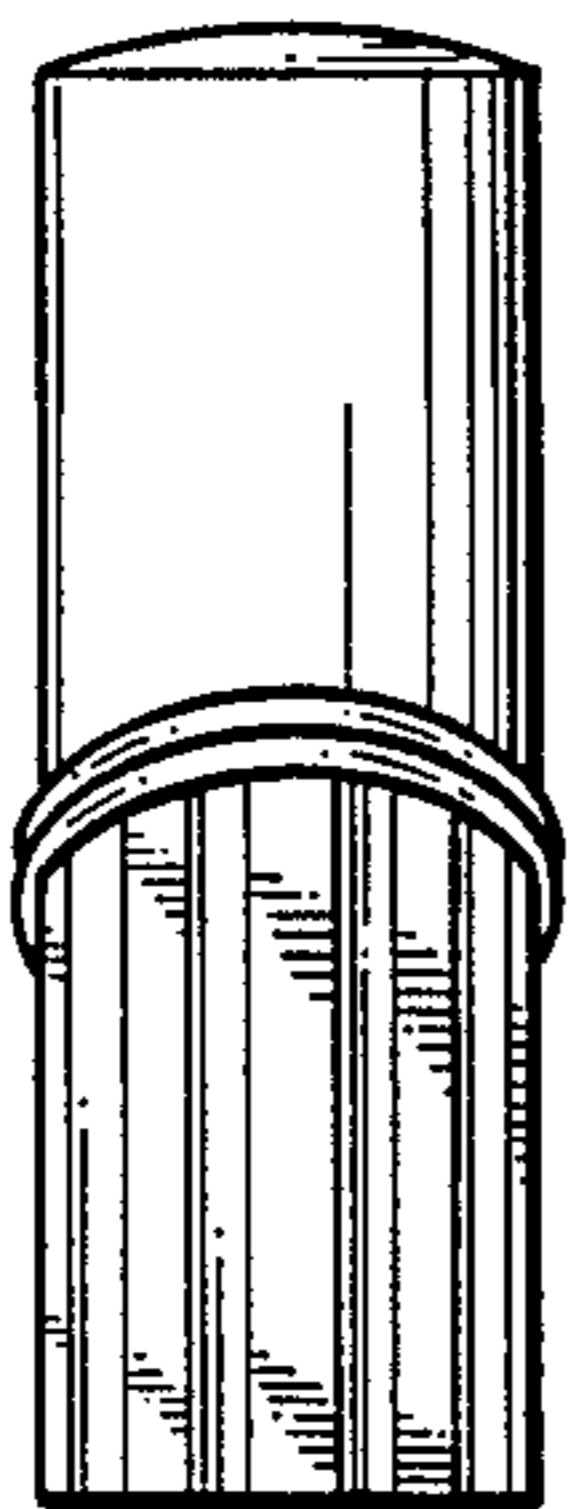


FIG. 12

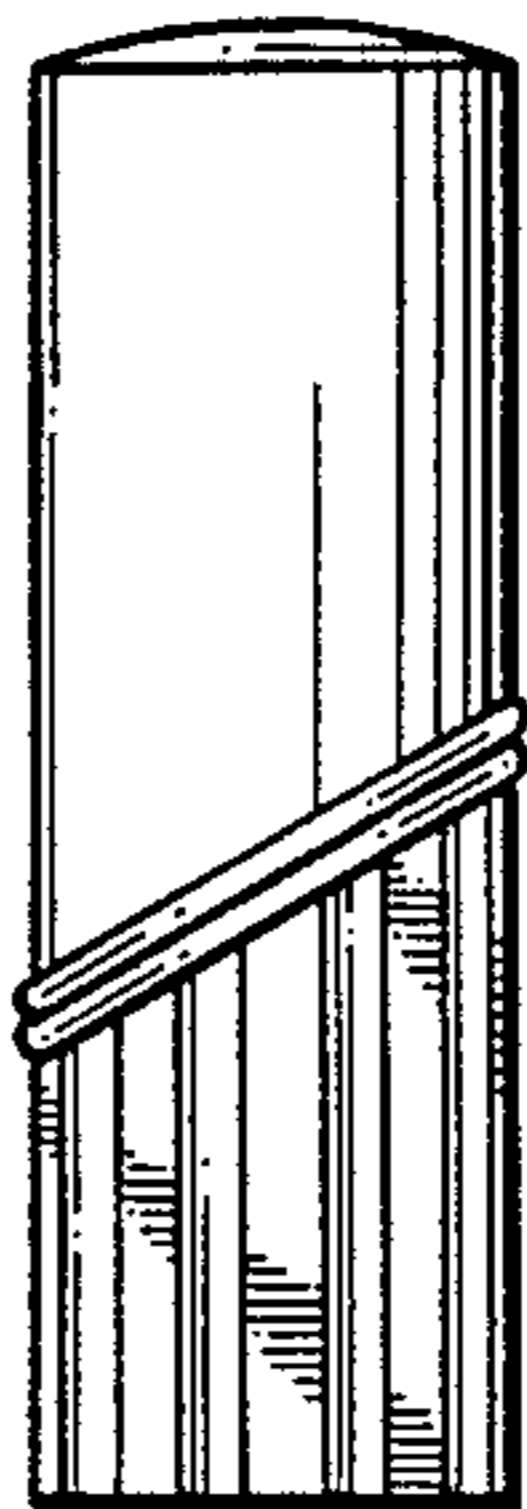


FIG. 13

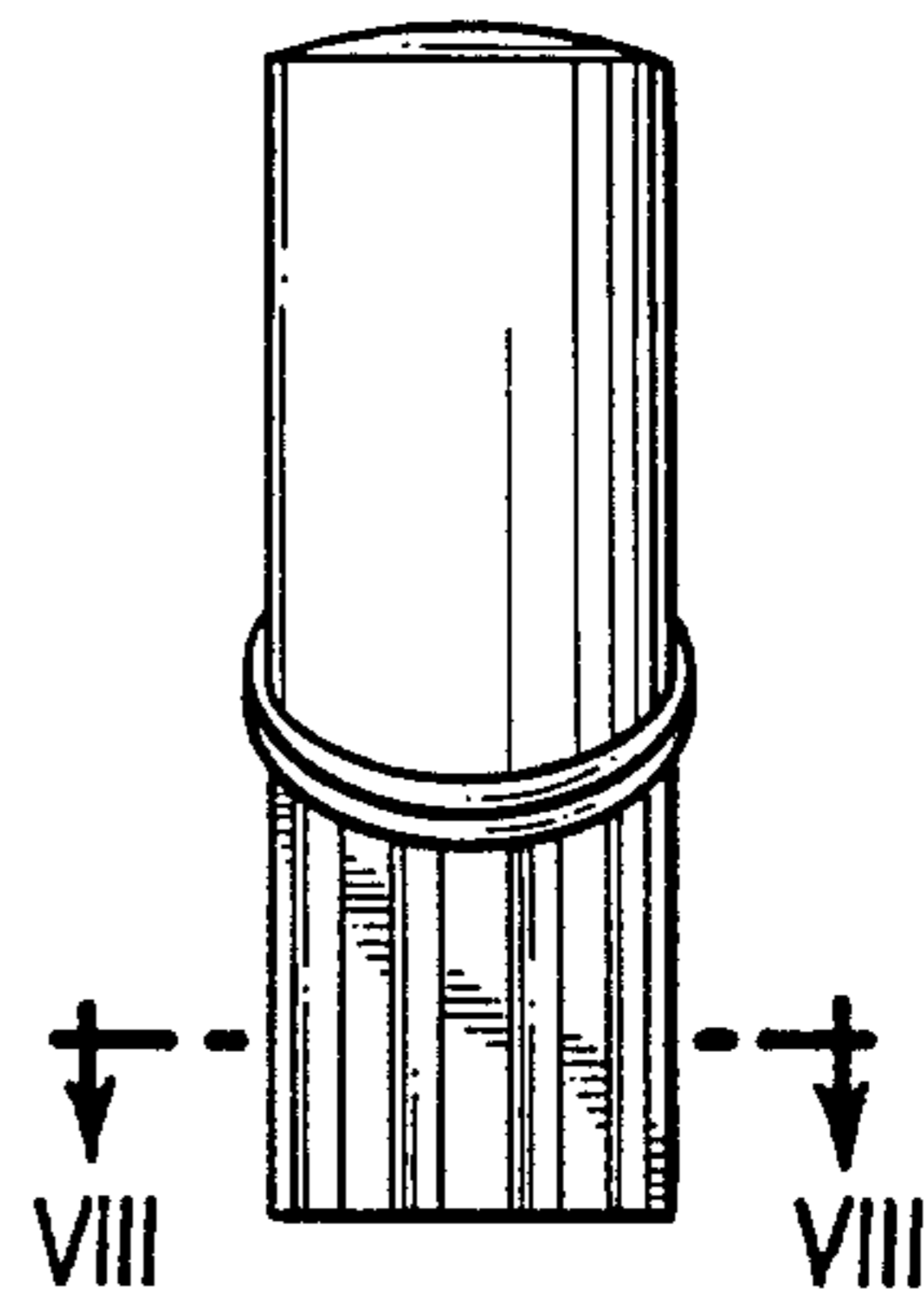


FIG. 14



FIG. 15

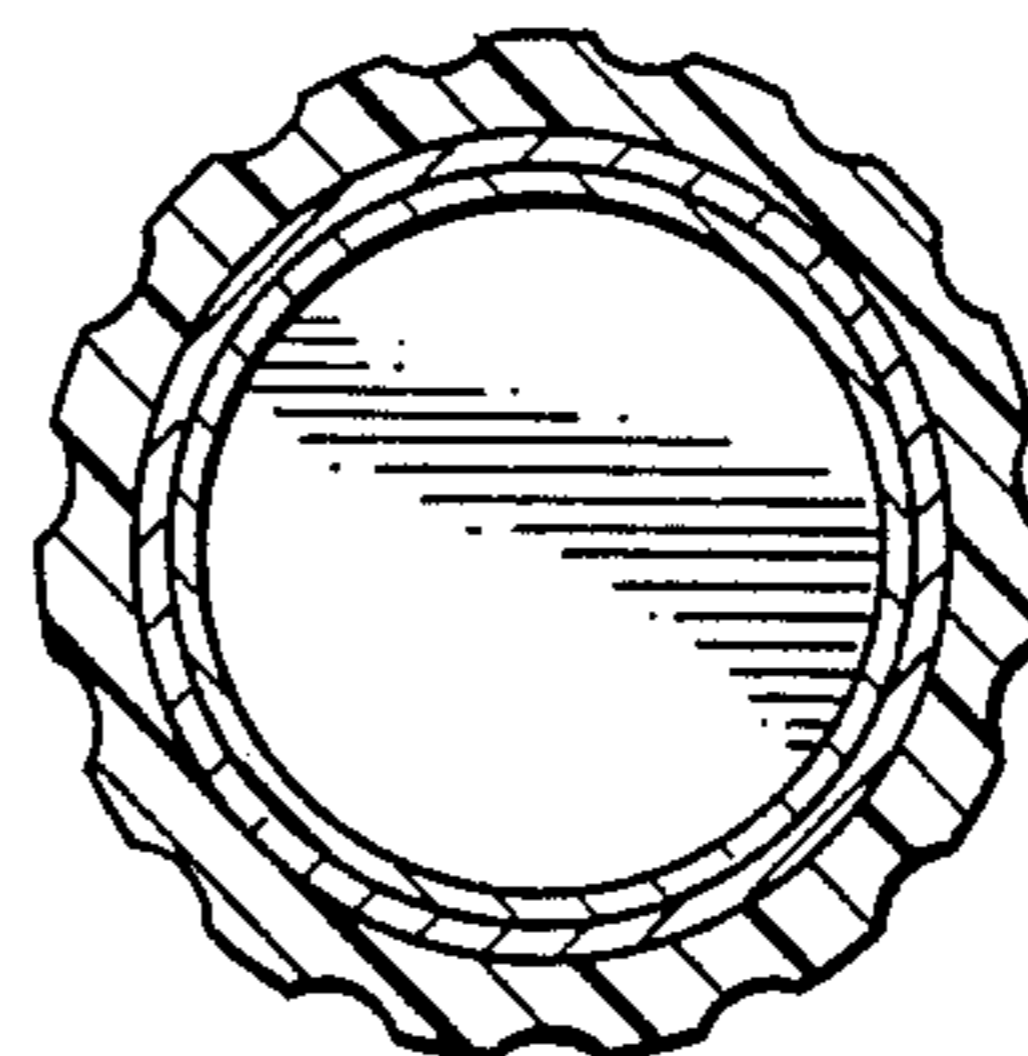


FIG. 16