

[54] HAIR BLOWER

4,683,370 7/1987 Petersen et al. 219/368 X

[75] Inventor: Ralph J. Gelinas, Tarzana, Calif.

OTHER PUBLICATIONS

[73] Assignee: Triune Research Corporation, Calabasas, Calif.

Supplement to Washington Star-News, Sunday 12/22/74, p. 12-Men's Pro-Type Dryer (a.) at top left.

[**] Term: 14 Years

Primary Examiner—Louis S. Zarfes
Attorney, Agent, or Firm—Freilich, Hornbaker & Rosen

[21] Appl. No.: 154,605

[57] CLAIM

[22] Filed: Feb. 10, 1988

The ornamental design for the hair blower, as shown.

[52] U.S. Cl. D28/13; D8/29.1

[58] Field of Search D28/9-19,
D28/54.1; D20/29.1; D23/332, 335;
34/96-101; 219/222, 365-373; 132/270, 271

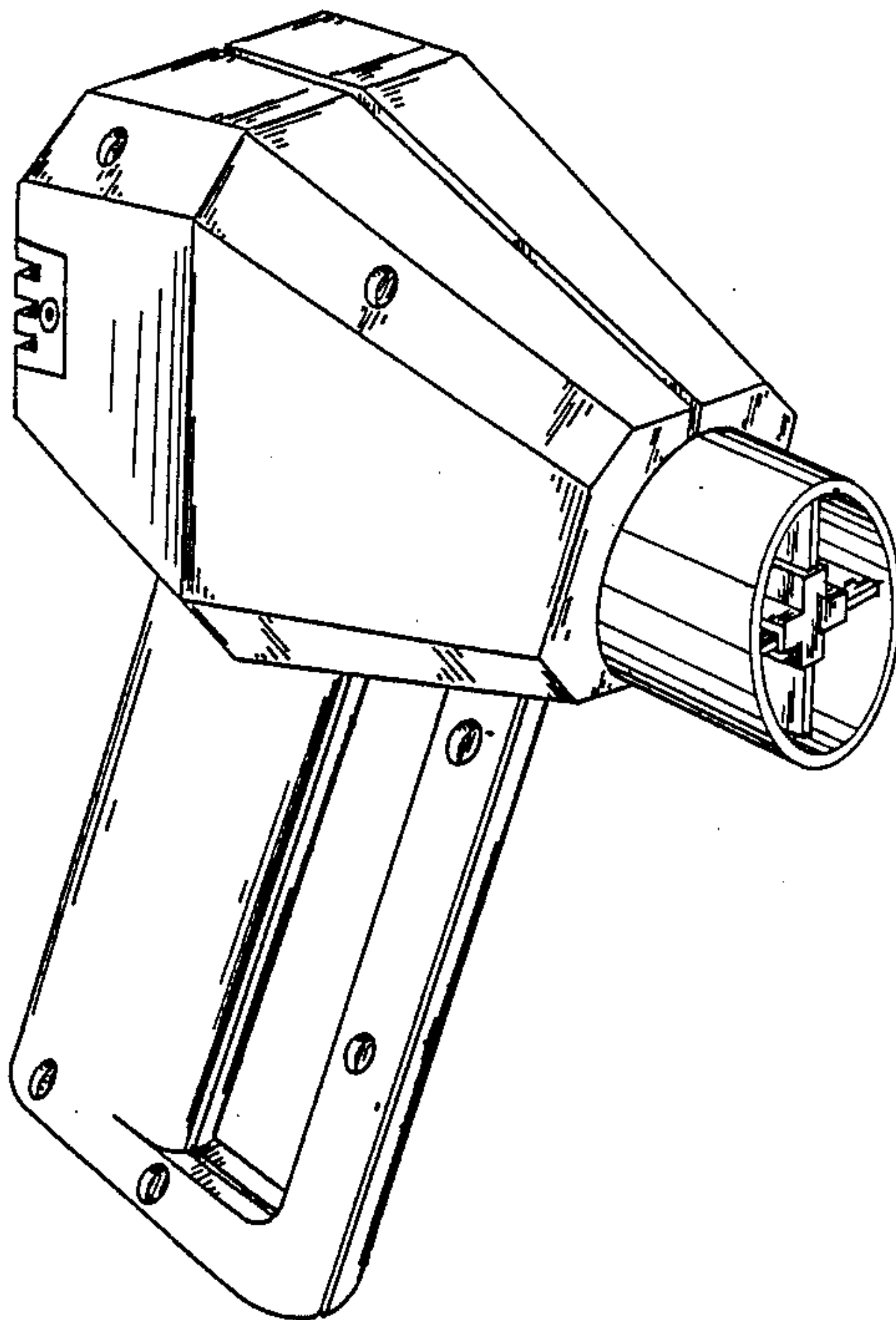
DESCRIPTION

FIG. 1 is a left front perspective view of a hair blower showing my new design;
FIG. 2 is a left side elevational view;
FIG. 3 is a rear elevational view;
FIG. 4 is a front elevational view;
FIG. 5 is a right side elevational view;
FIG. 6 is a top plan view; and
FIG. 7 is a bottom plan view.

[56] References Cited

U.S. PATENT DOCUMENTS

- D. 232,554 8/1974 Benjamin D28/13 X
- D. 282,013 12/1985 Kerschgens D28/13
- D. 296,070 6/1988 Cunningham D28/13 X



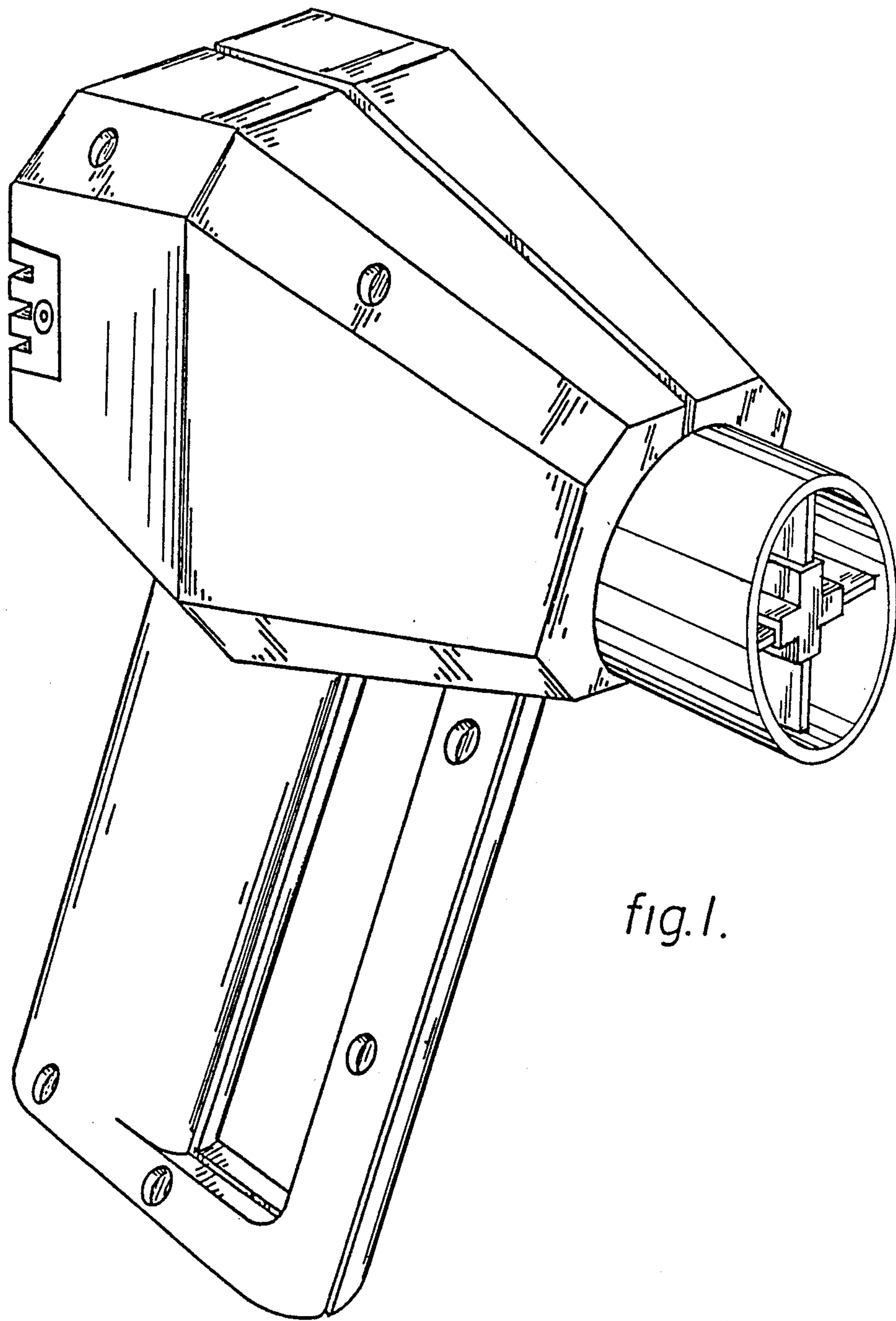


fig. 1.

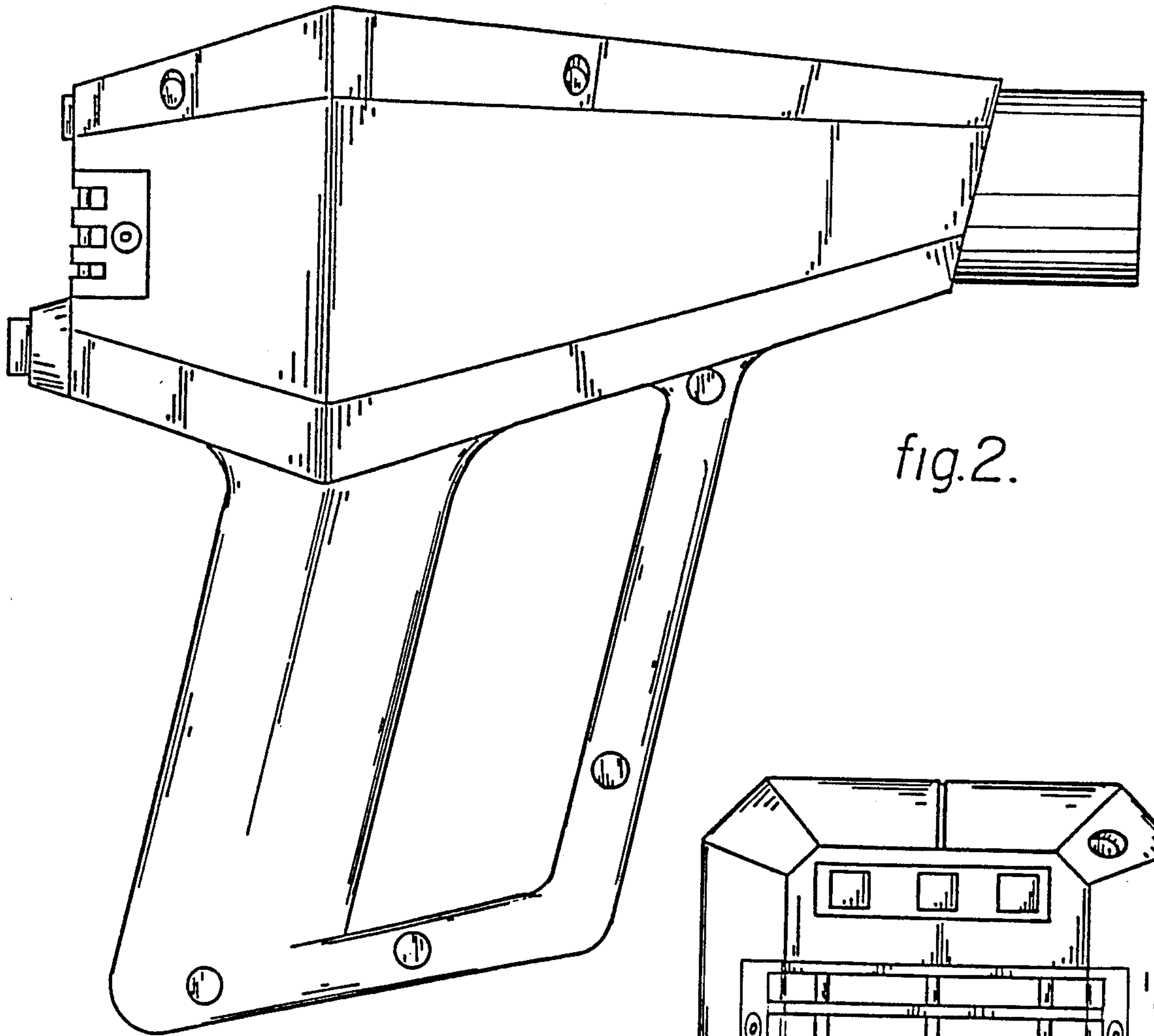


fig.2.

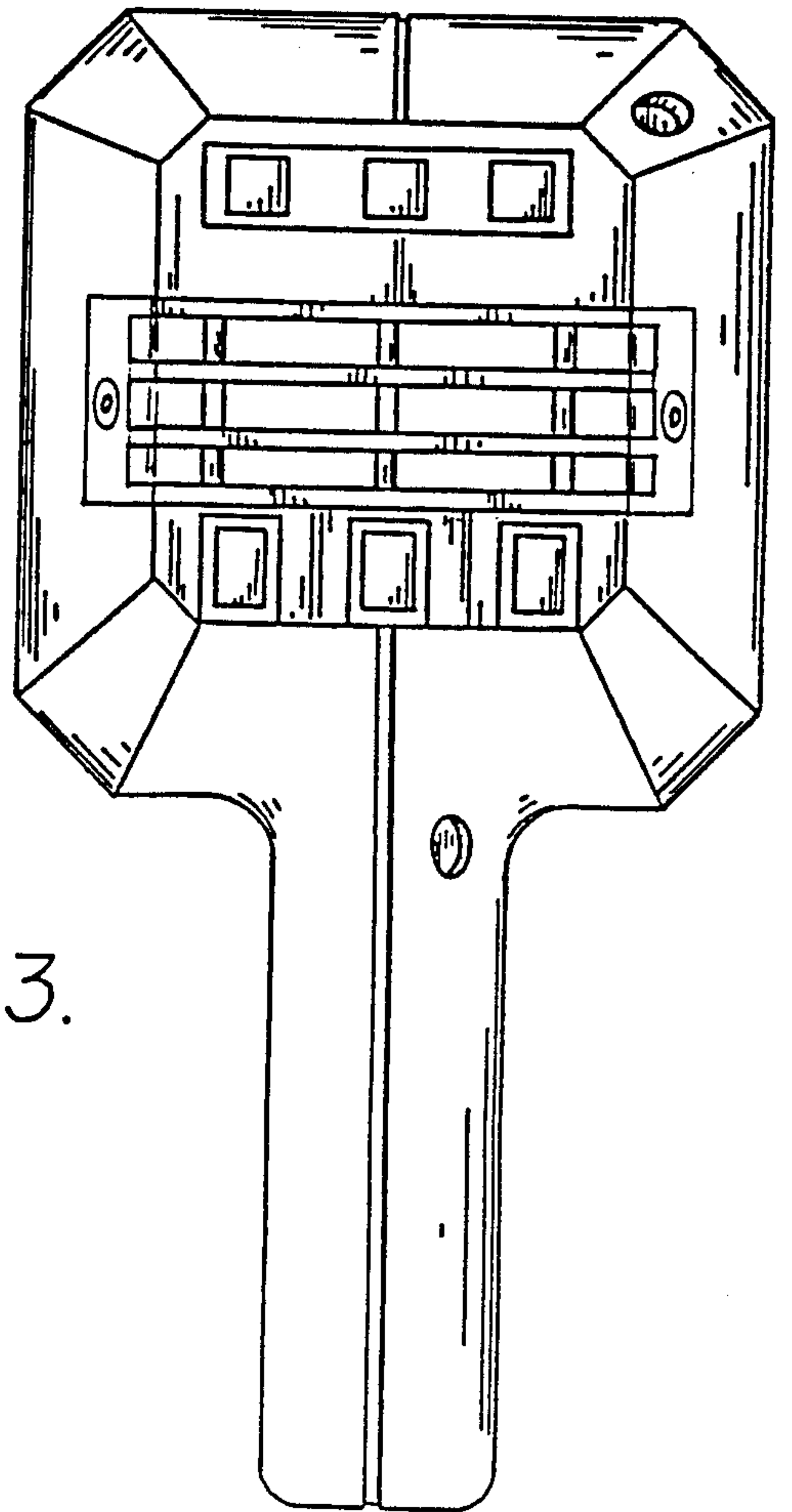


fig.3.

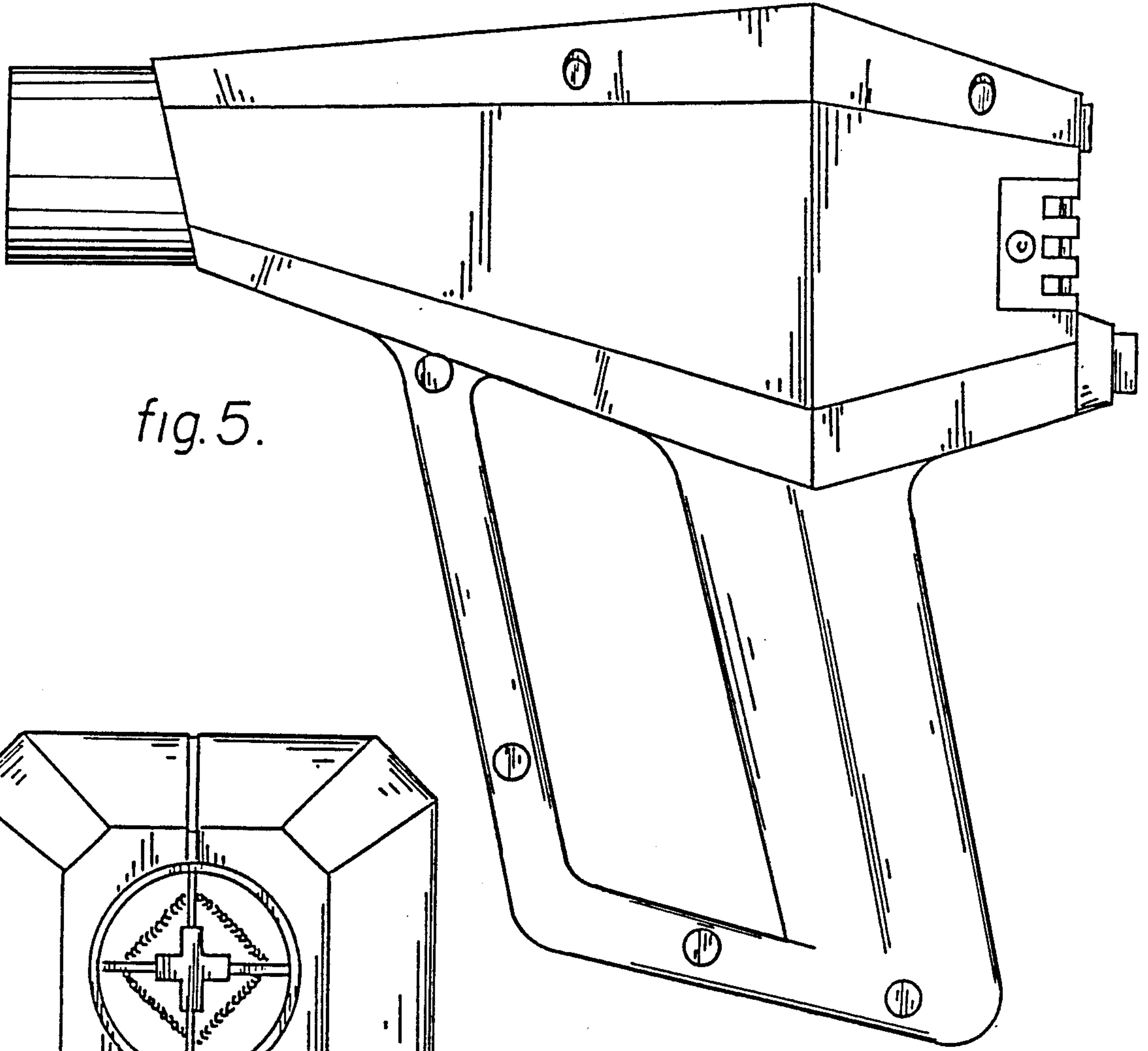


fig. 5.

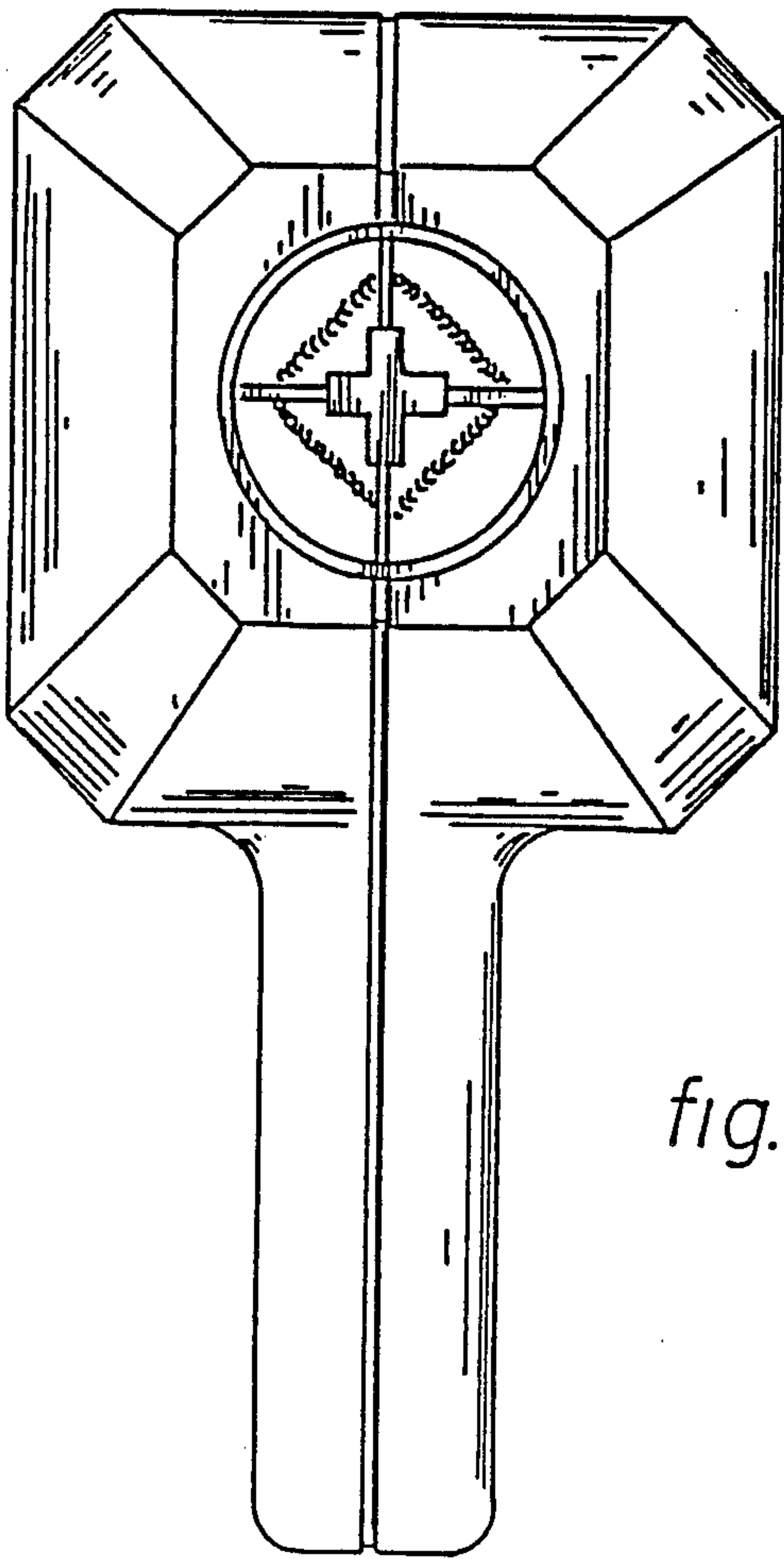


fig. 4.

fig. 6.

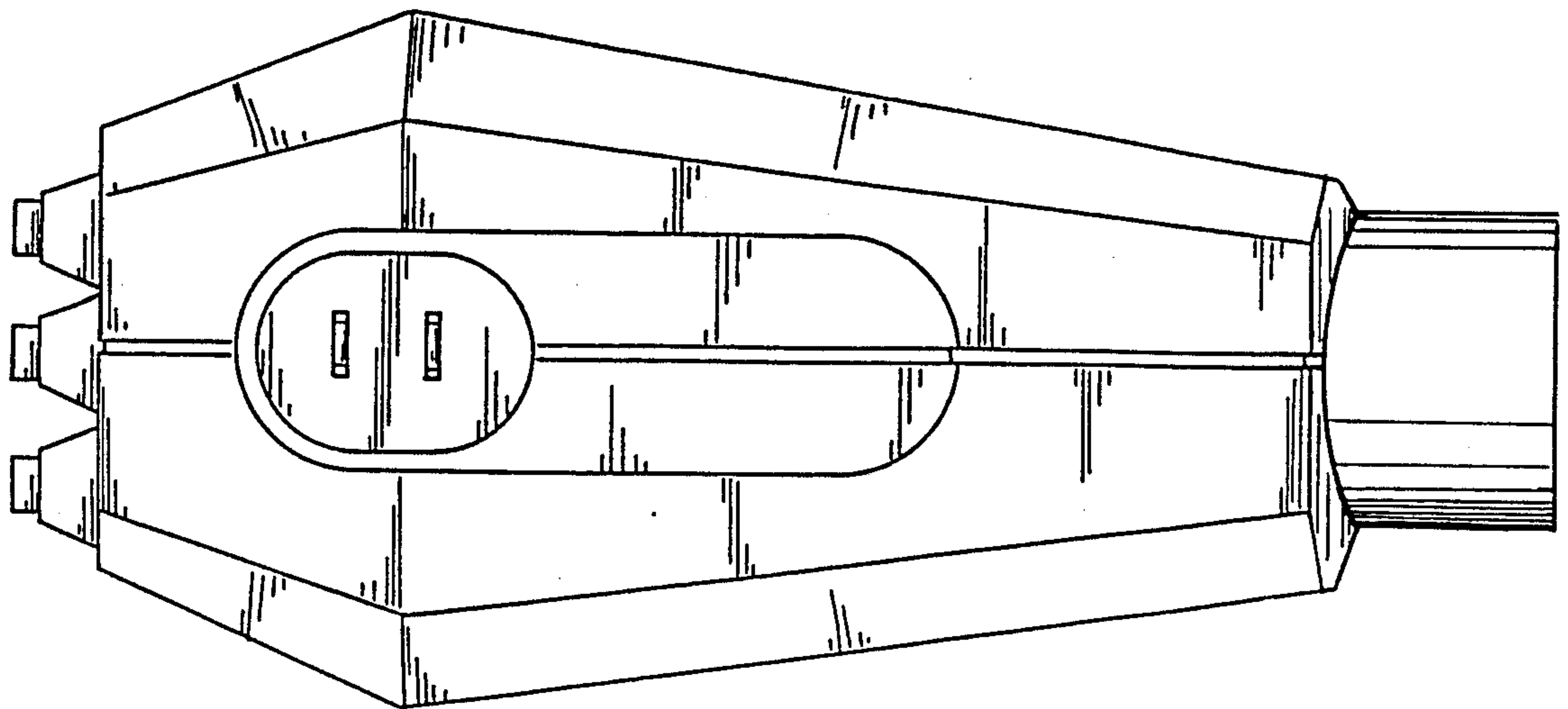
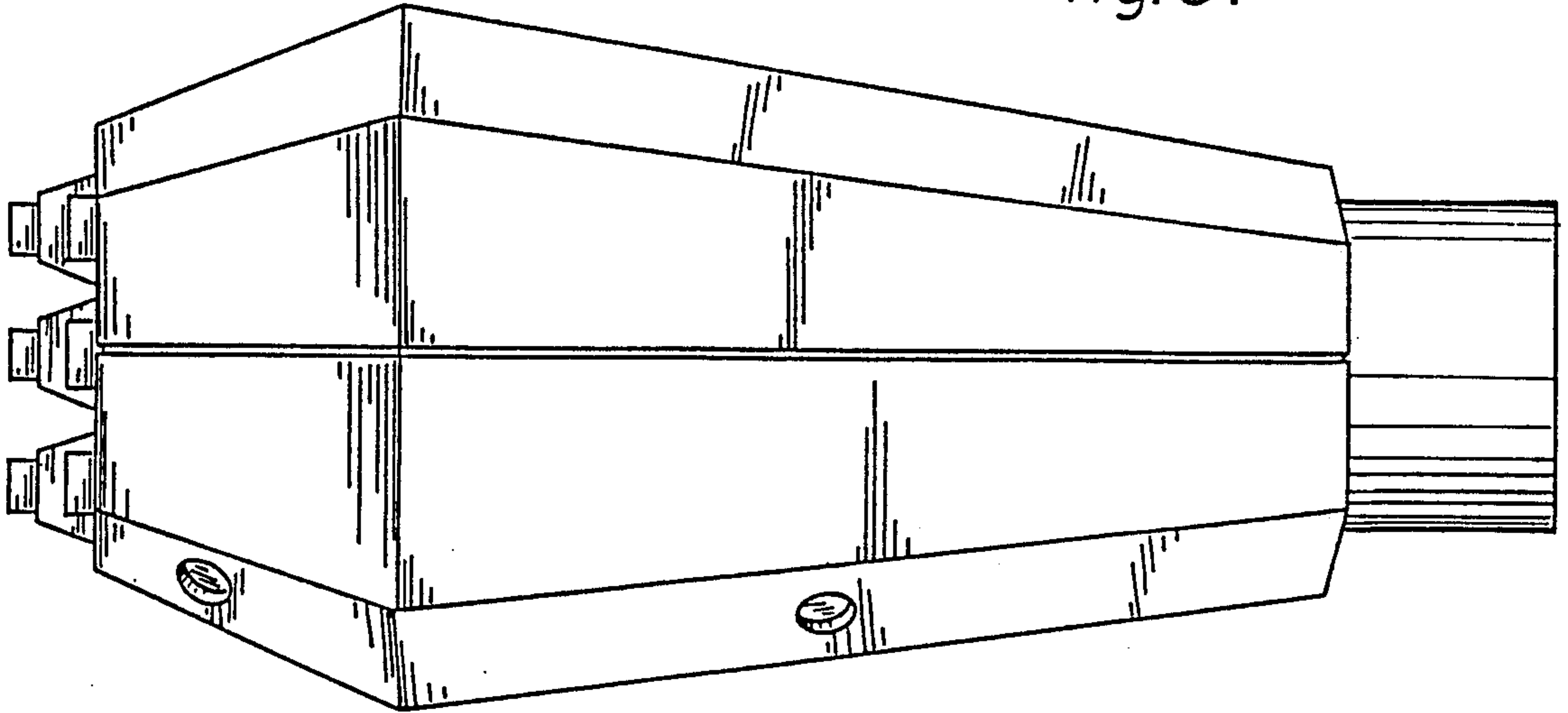


fig. 7.