

[54] **PILL SPLITTER**

[75] **Inventor:** Nathan S. Lieptz, Beachwood, Ohio
 [73] **Assignee:** LGS Corporation, South Euclid, Ohio
 [**] **Term:** 14 Years
 [21] **Appl. No.:** 941,944
 [22] **Filed:** Dec. 15, 1986
 [52] **U.S. Cl.** D24/23; D28/1; D3/30.1
 [58] **Field of Search** D8/98; D24/8, 23; D28/2, 1; 225/104, 103; 30/124; D3/30.1

[56] **References Cited**

U.S. PATENT DOCUMENTS

D. 285,966	9/1986	Porter	D24/23
2,655,259	10/1953	Davoren	225/103
3,175,746	3/1965	Porter et al.	225/104
3,439,664	4/1969	Sylvester	225/103
3,517,871	6/1970	Gaffney et al.	225/103
4,009,651	3/1977	Adams	30/120.3
4,159,568	7/1979	Berner	225/103
4,179,806	12/1979	Lieptz	30/124
4,409,843	10/1983	Urban et al.	225/103
4,473,192	9/1984	Urban et al.	225/103
4,697,344	10/1987	Leopoldi	30/124
4,824,000	4/1989	Baxter et al.	225/103

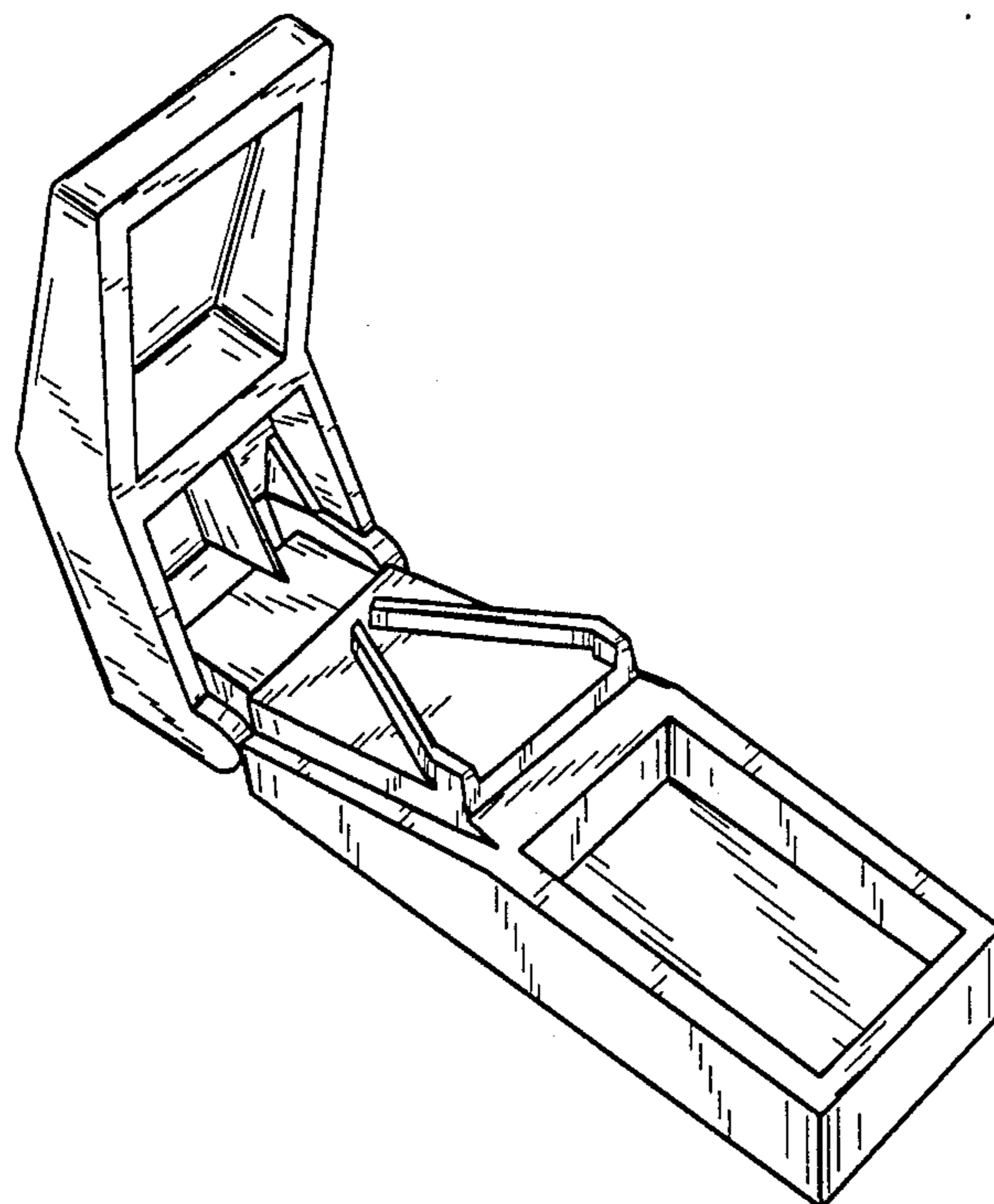
Primary Examiner—Wallace R. Burke
Assistant Examiner—Kay H. Chin
Attorney, Agent, or Firm—Watts, Hoffmann, Fisher & Heinke, Co.

[57] **CLAIM**

The ornamental design for a pill splitter, as shown and described.

DESCRIPTION

FIG. 1 is a top perspective view of a pill splitter showing my new design, in open condition;
 FIG. 2 is a side elevational view thereof in closed condition, the opposite side view being a mirror image of that shown;
 FIG. 3 is a front elevational view of FIG. 2;
 FIG. 4 is a rear elevational view of FIG. 2;
 FIG. 5 is a top plan view of FIG. 2;
 FIG. 6 is a bottom plan view of FIG. 2;
 FIG. 7 is a top perspective view of a second embodiment of the pill splitter in open condition;
 FIG. 8 is a side elevational view of FIG. 7 in closed condition;
 FIG. 9 is a front elevational view of FIG. 8;
 FIG. 10 is a rear elevational view of FIG. 8;
 FIG. 11 is a top plan view of FIG. 8;
 FIG. 12 is a top perspective view of a third embodiment of the pill splitter in open condition;
 FIG. 13 is a side elevational view of FIG. 12, the opposite side view being a mirror image of that shown;
 FIG. 14 is a front elevational view of FIG. 13;
 FIG. 15 is a rear elevational view of FIG. 13;
 FIG. 16 is a top plan view of FIG. 13;
 FIG. 17 is a top perspective view of a fourth embodiment of the pill splitter in open condition;
 FIG. 18 is a side elevational view of FIG. 17, the opposite side view being a mirror image of that shown;
 FIG. 19 is a front elevational view of FIG. 18;
 FIG. 20 is a rear elevational view of FIG. 18;
 FIG. 21 is a top plan view of FIG. 18;
 FIG. 22 is a top perspective view of a fifth embodiment of the pill splitter in open condition;
 FIG. 23 is a side elevational view of FIG. 22, the opposite side view being a mirror image of that shown;
 FIG. 24 is a front elevational view of FIG. 23;
 FIG. 25 is a rear elevational view of FIG. 23;
 FIG. 26 is a top plan view of FIG. 23.
 The undisclosed bottom views of FIGS. 7, 12, 17 and 22 are identical to the bottom view shown in FIG. 6.



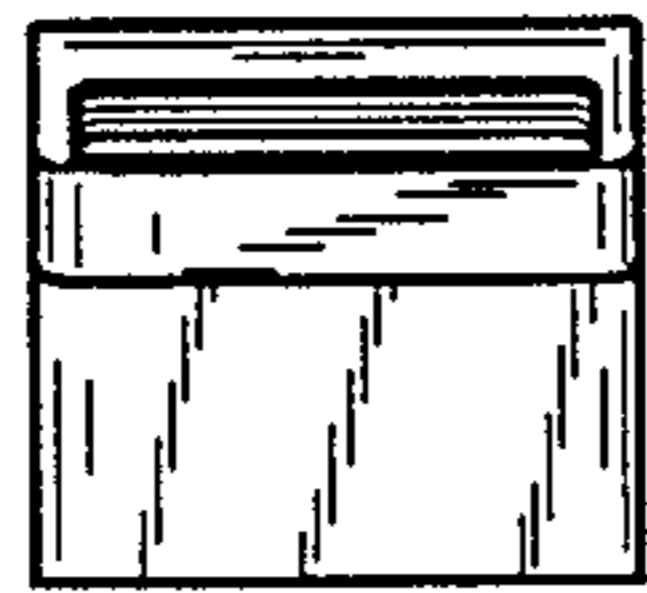
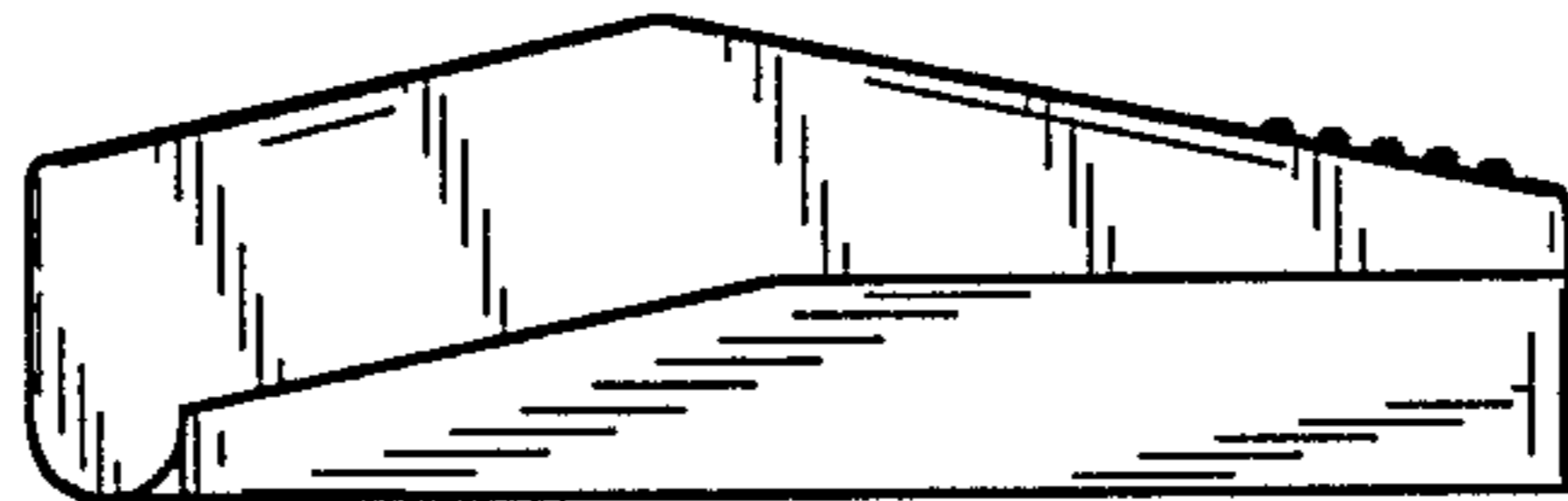
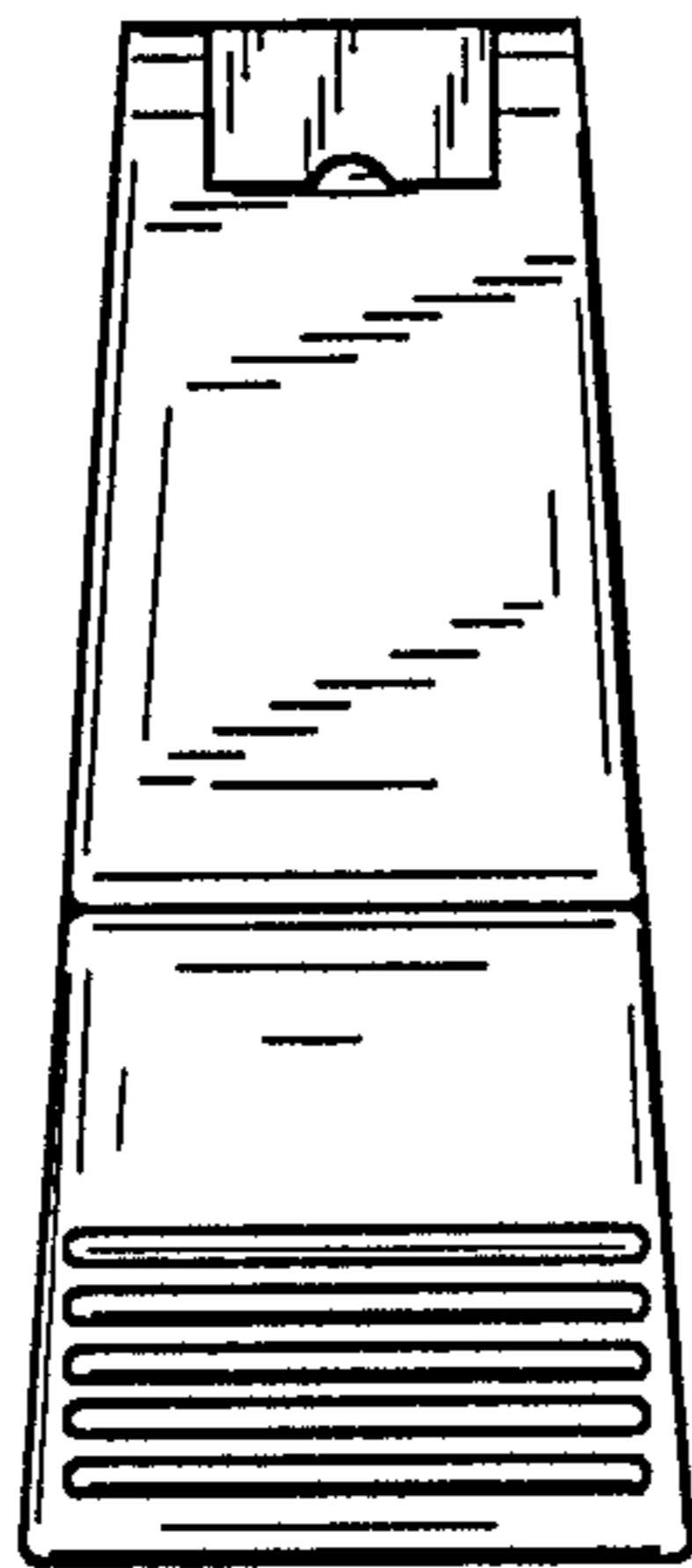
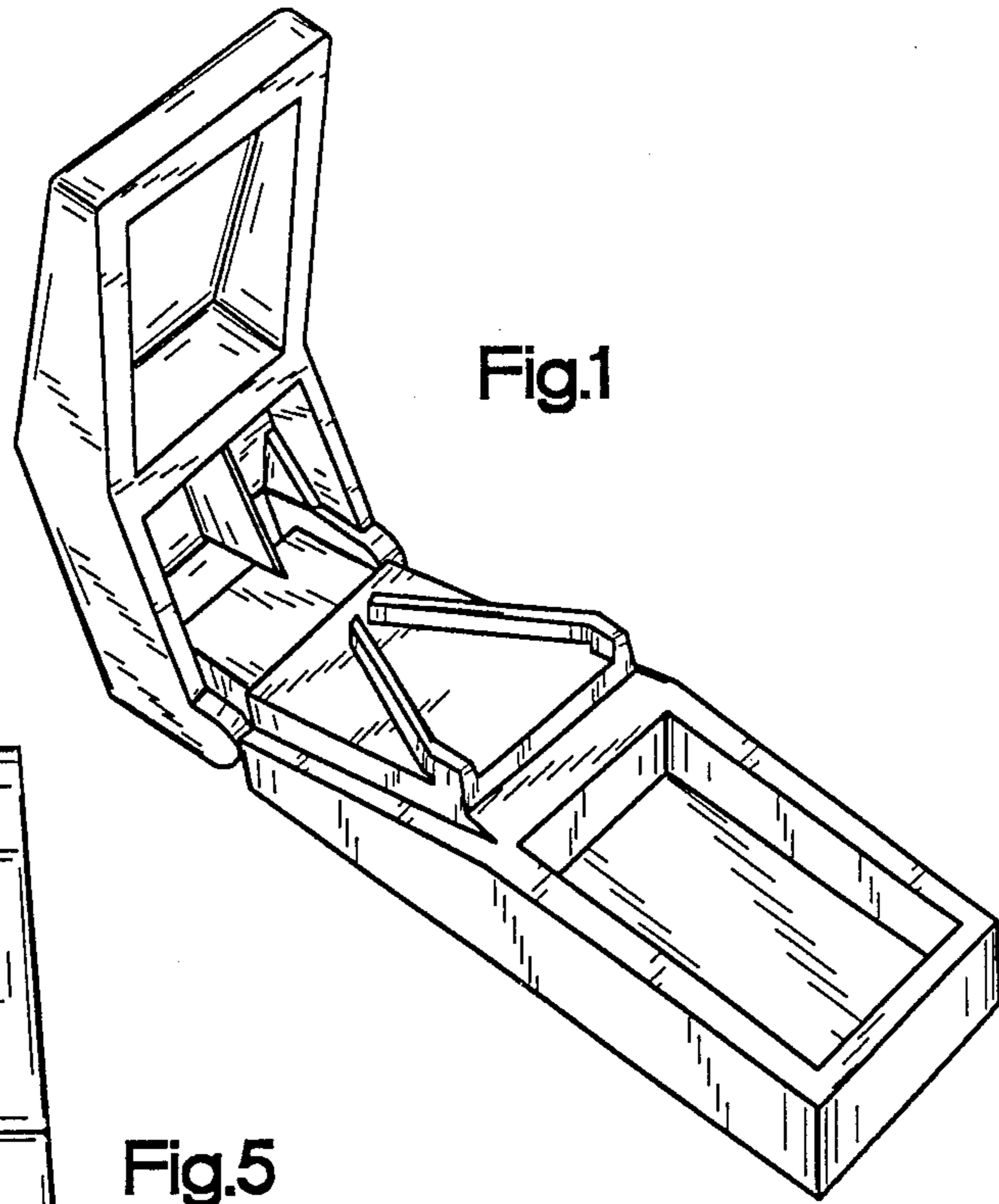


Fig. 3

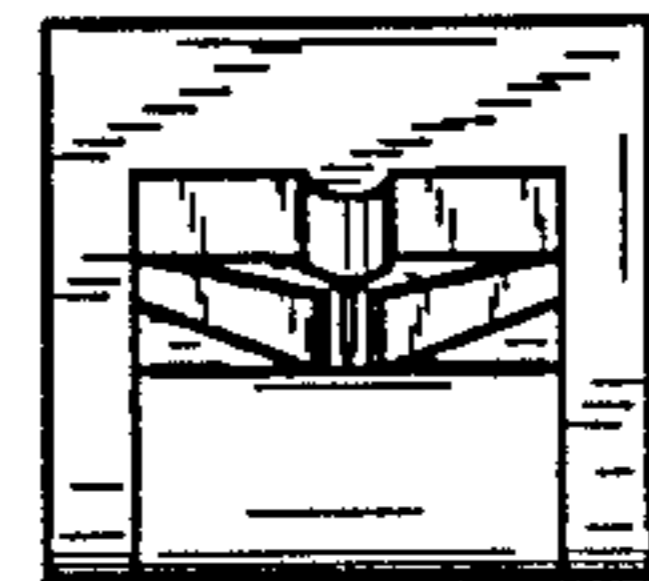


Fig. 4

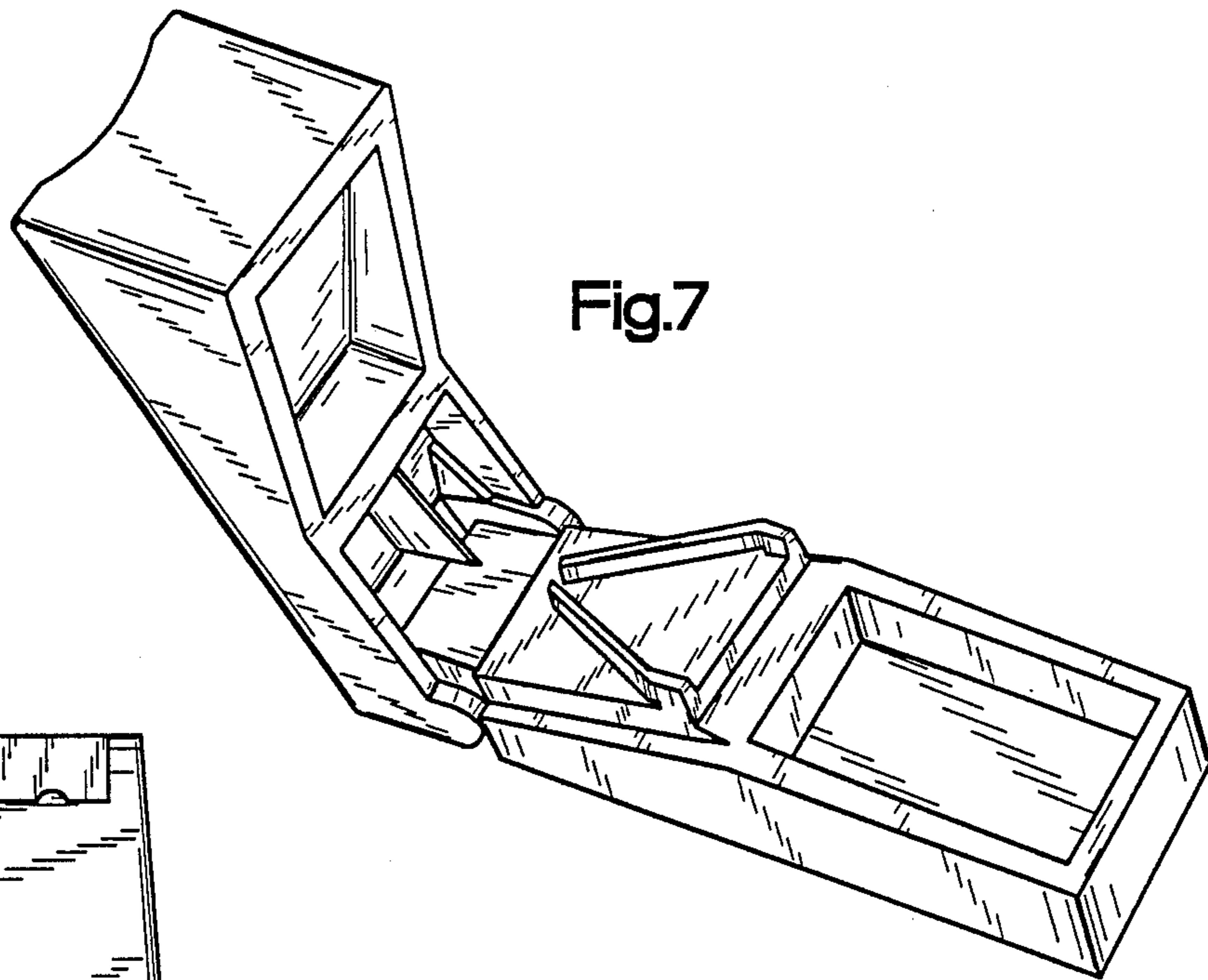


Fig.7

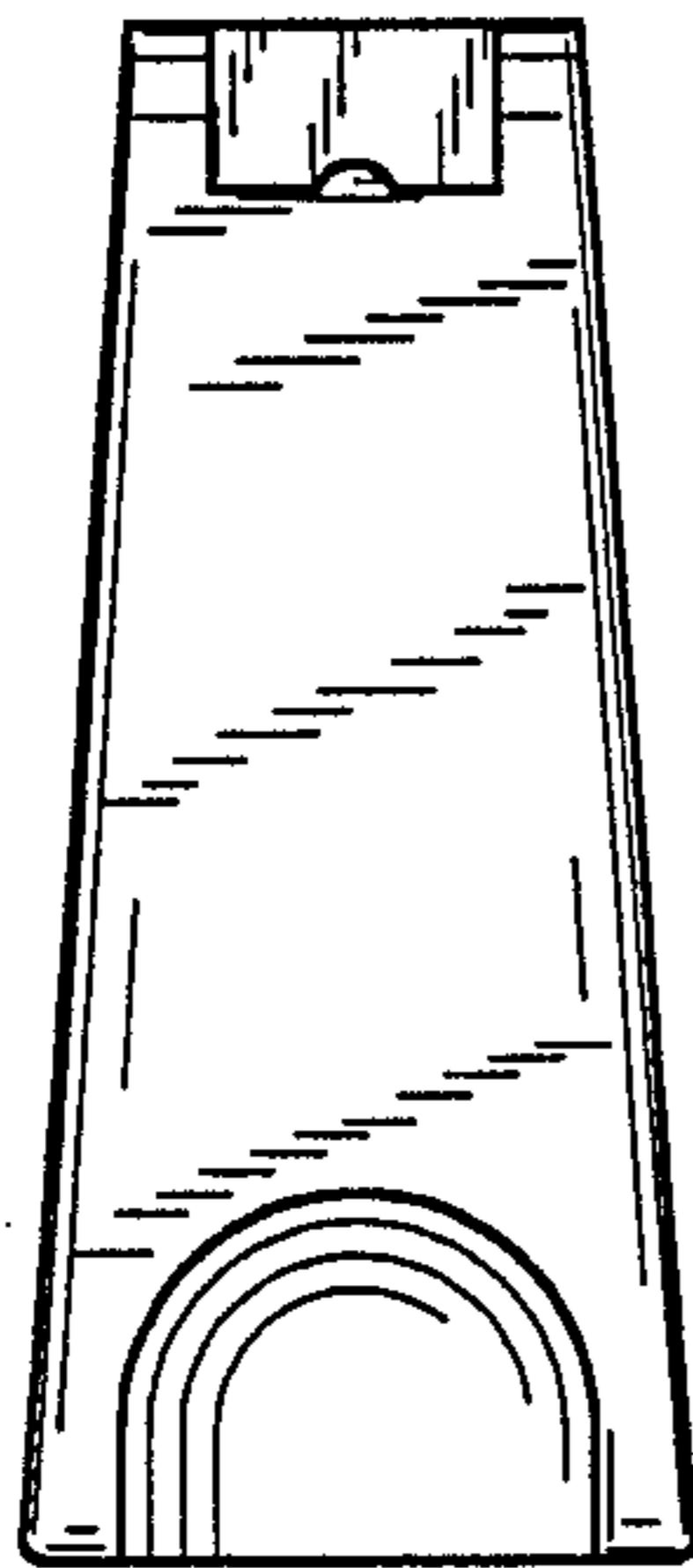


Fig.11

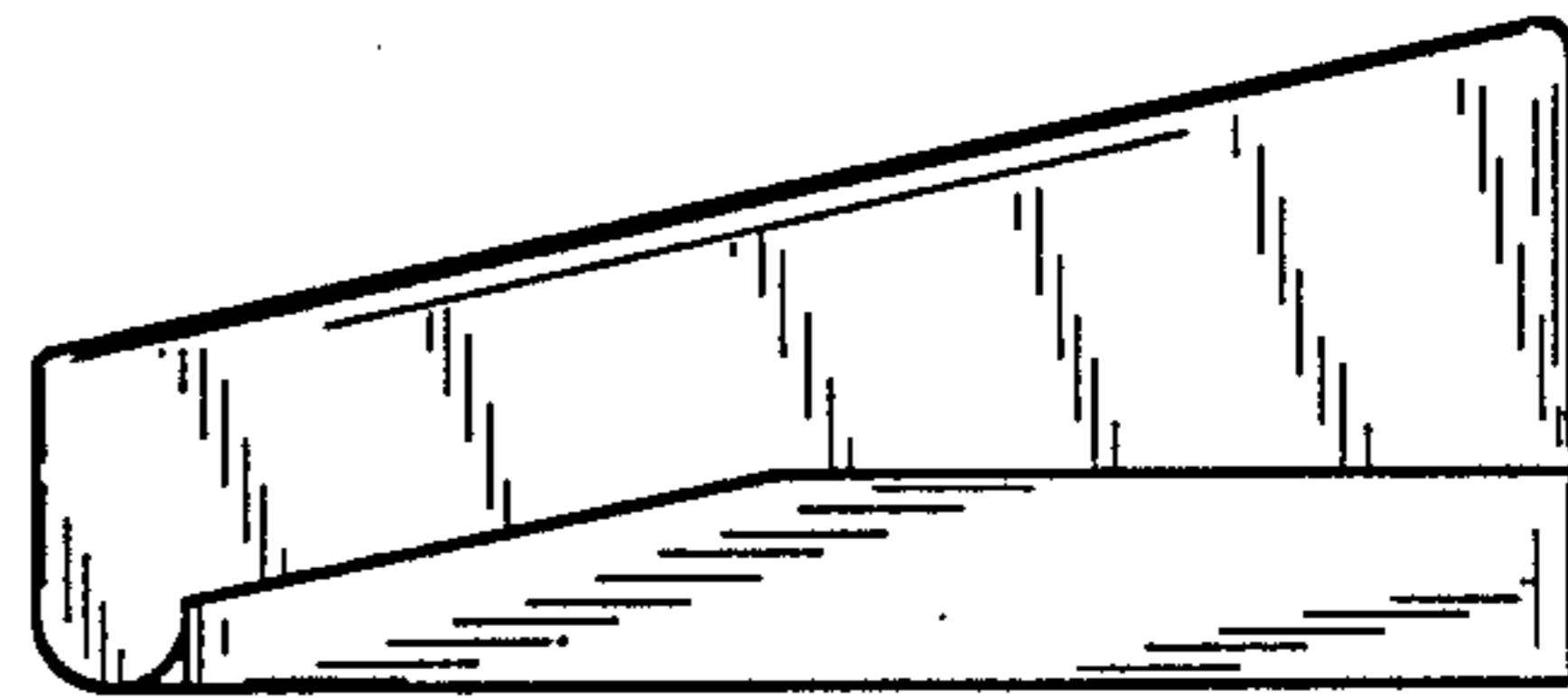


Fig.8

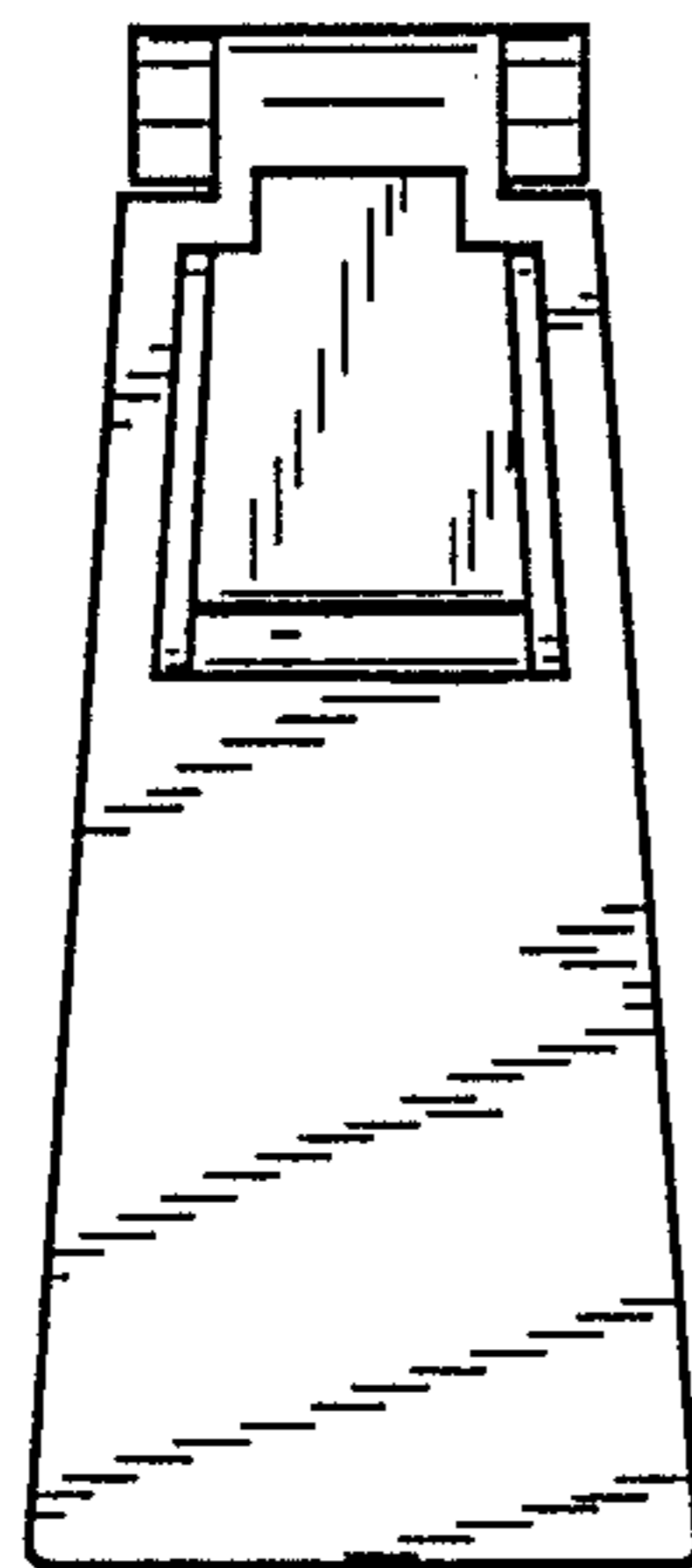


Fig.6

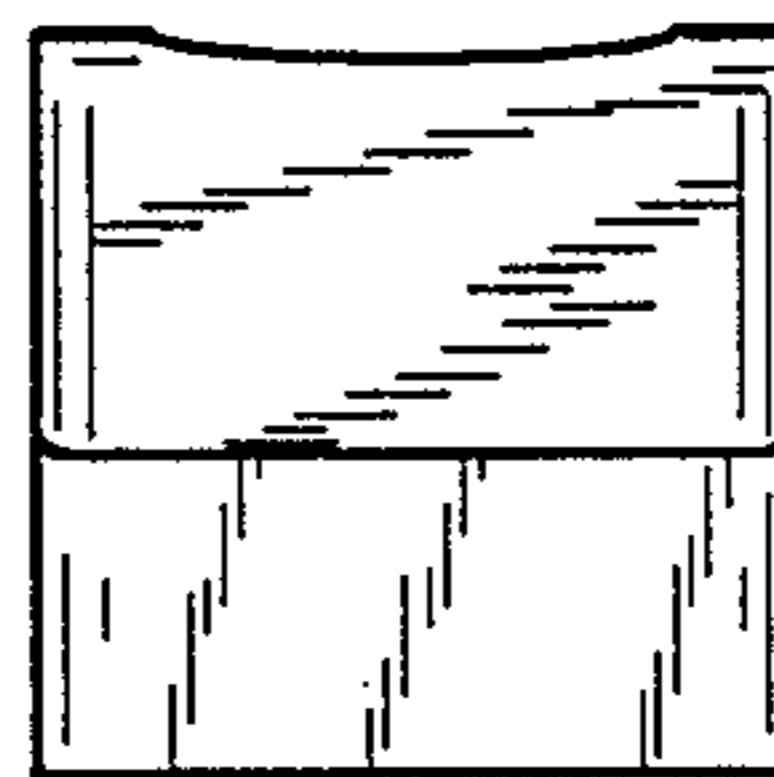


Fig.9

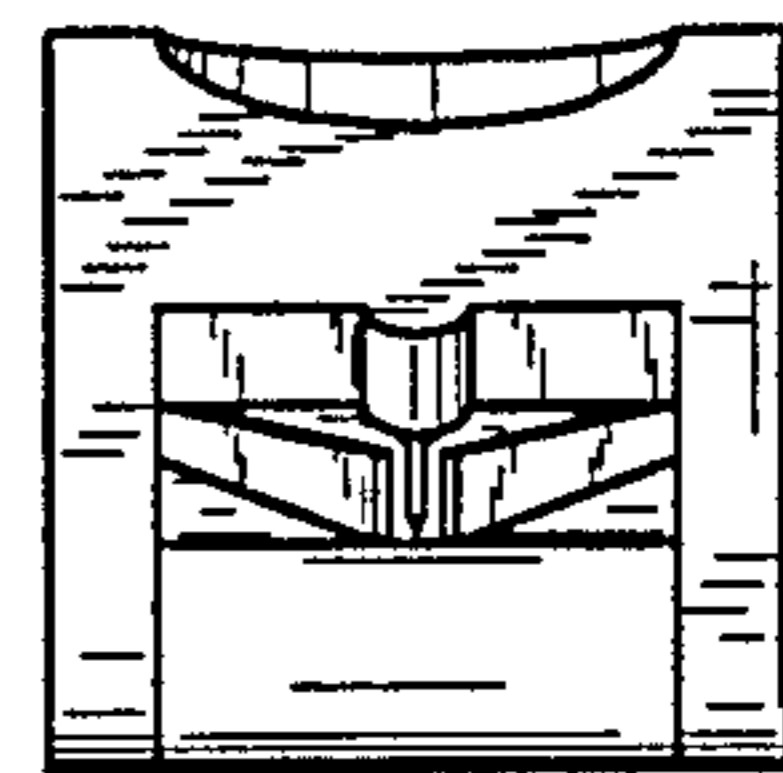
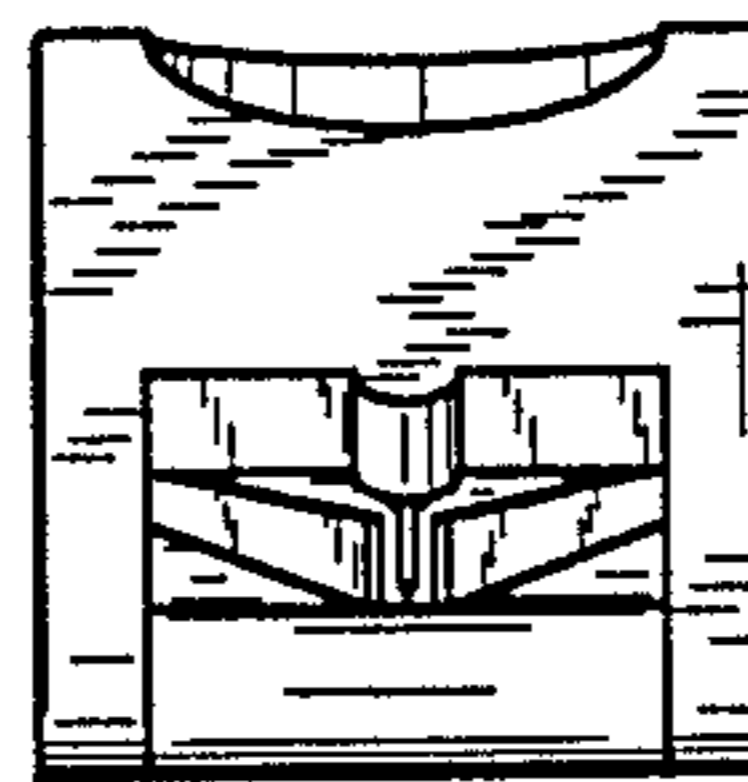
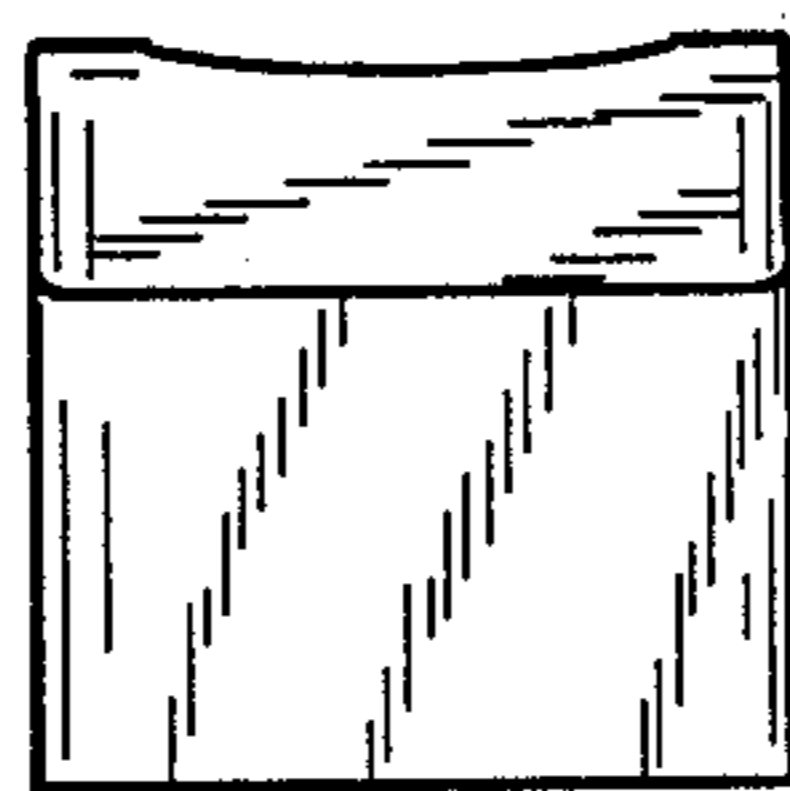
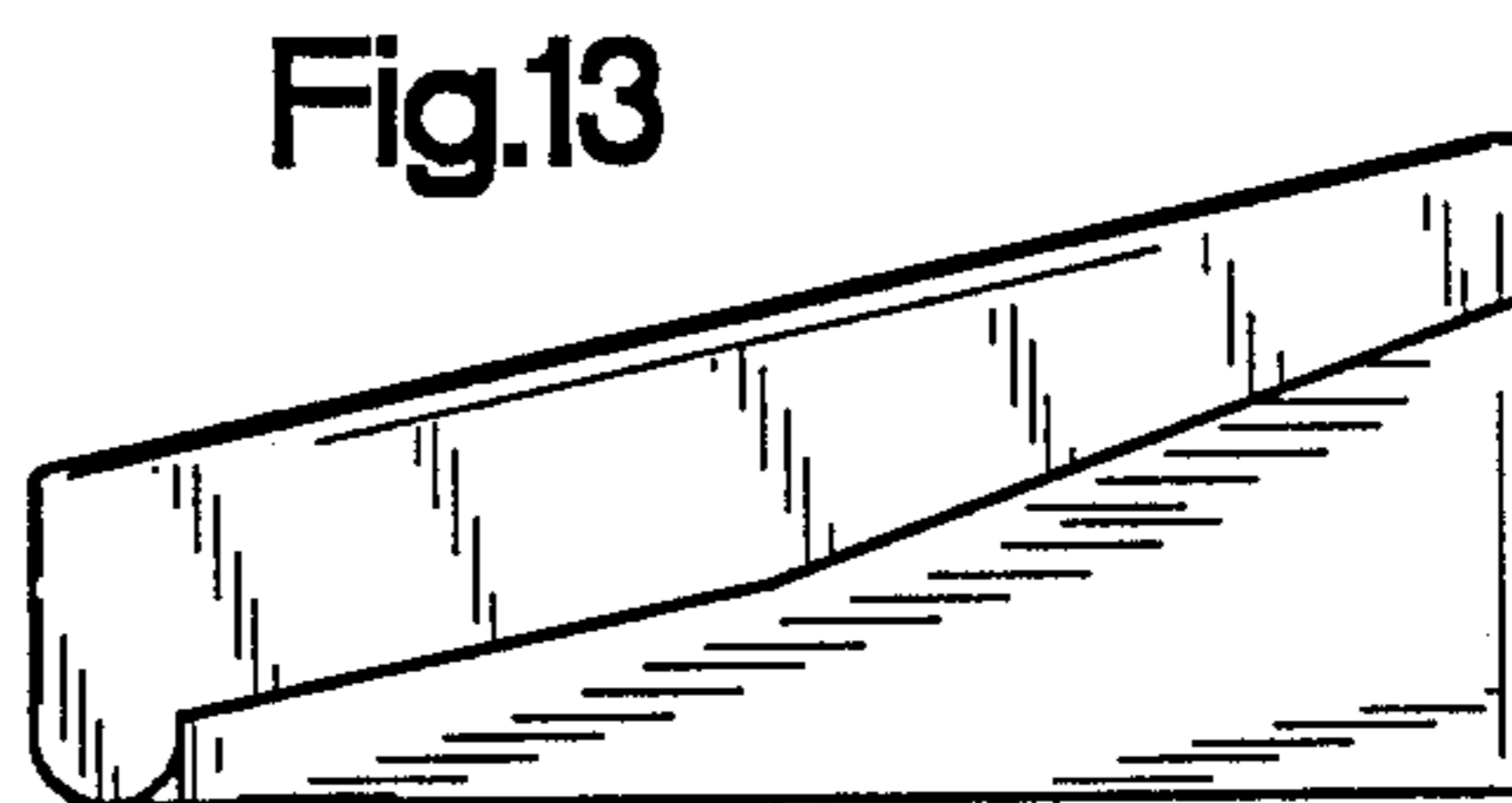
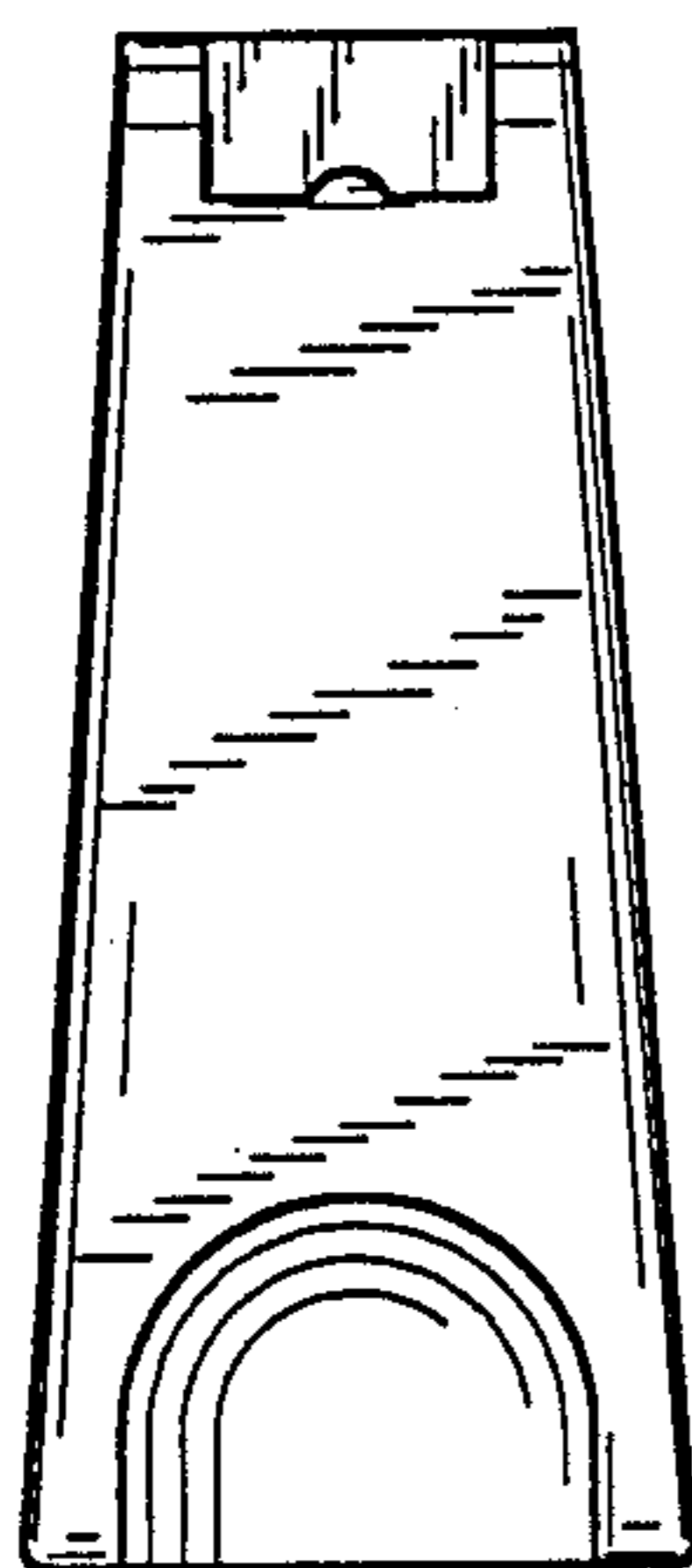
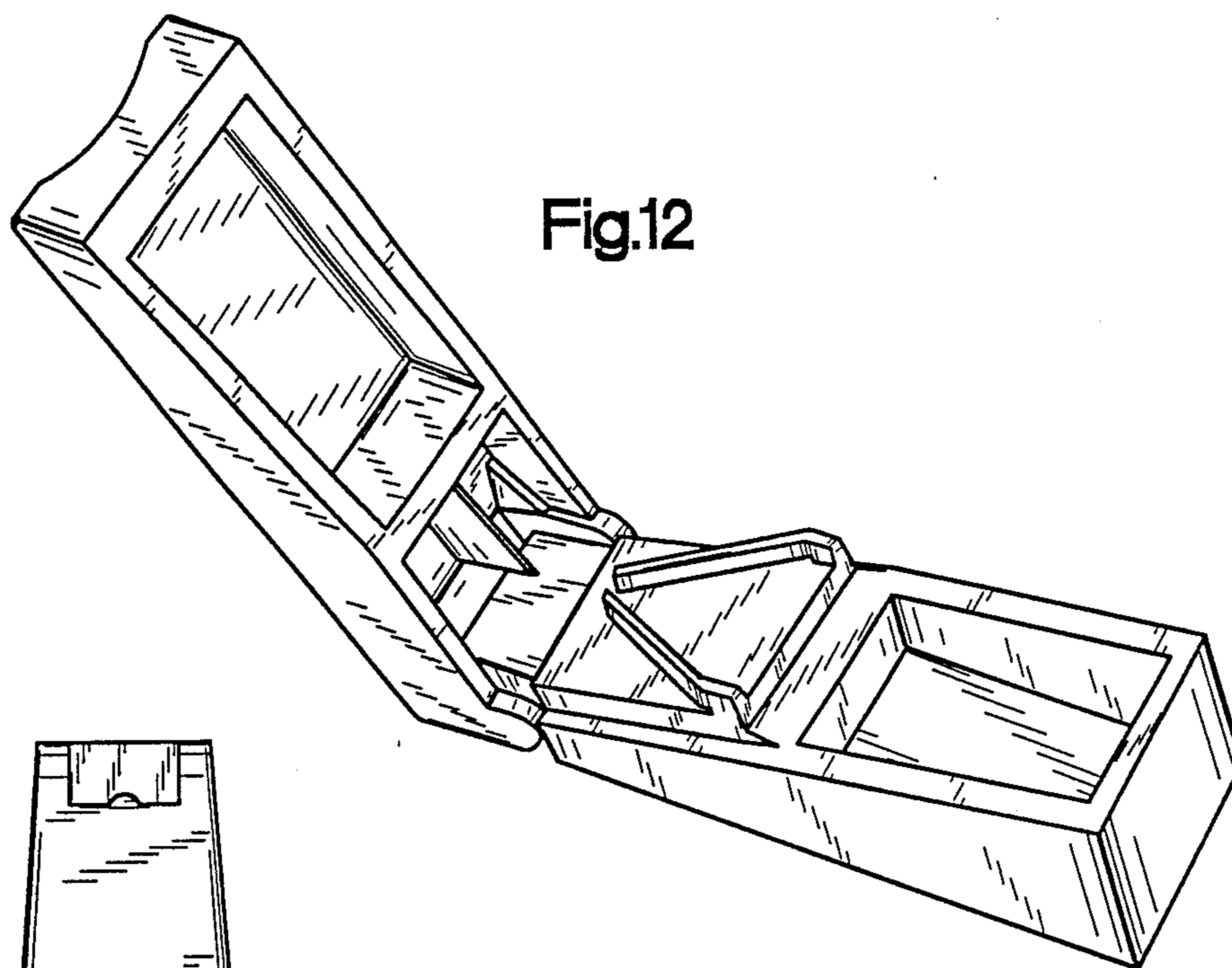


Fig.10



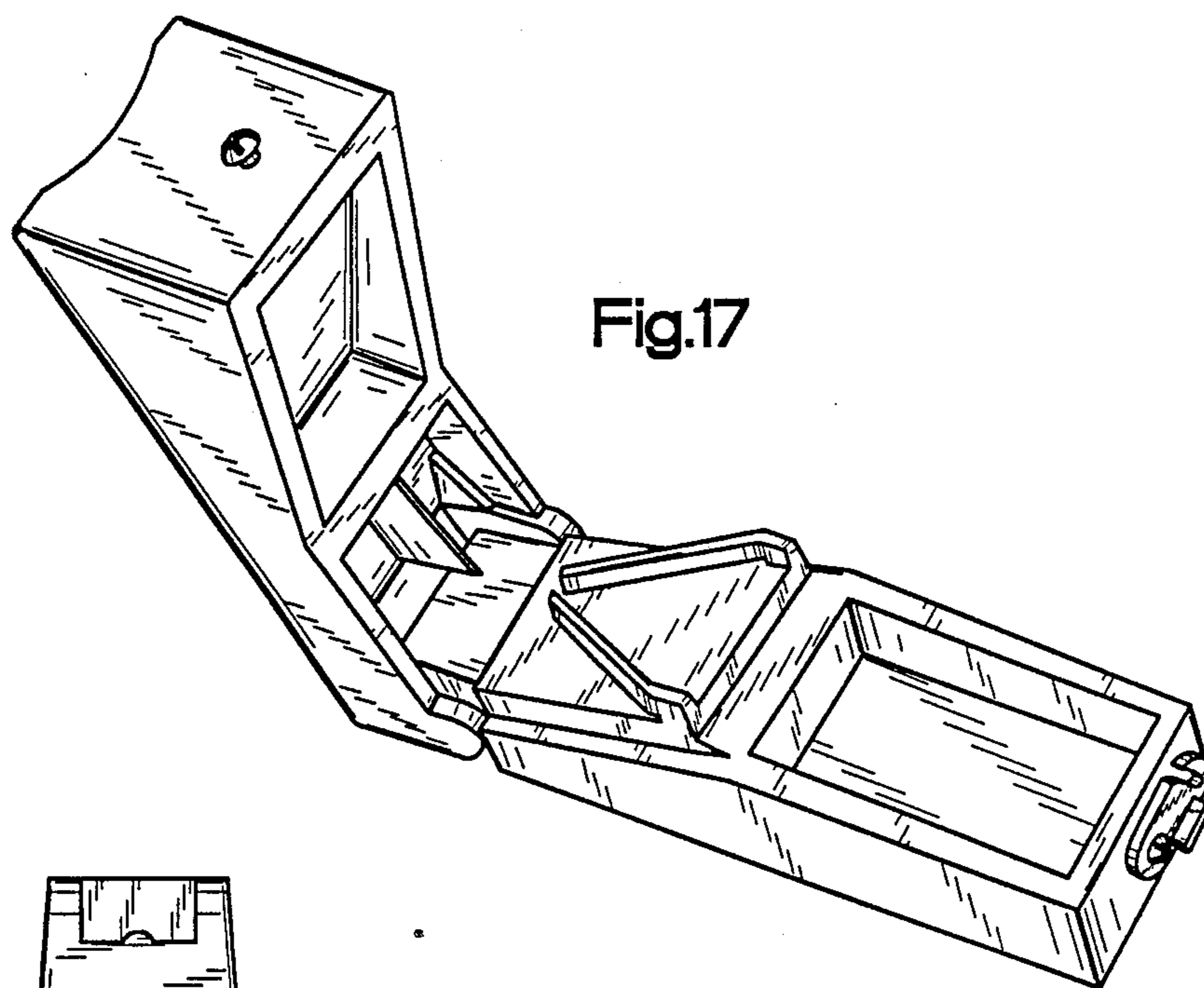


Fig.17

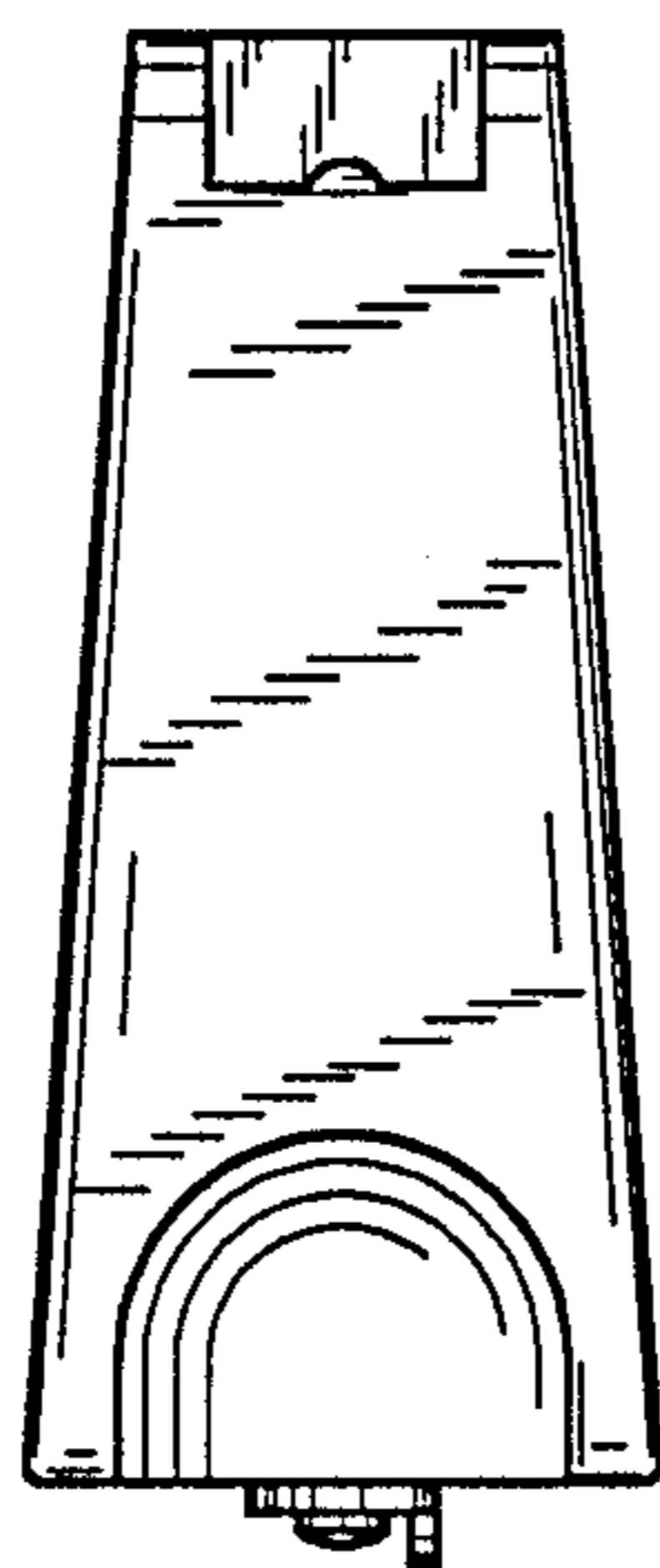


Fig.21

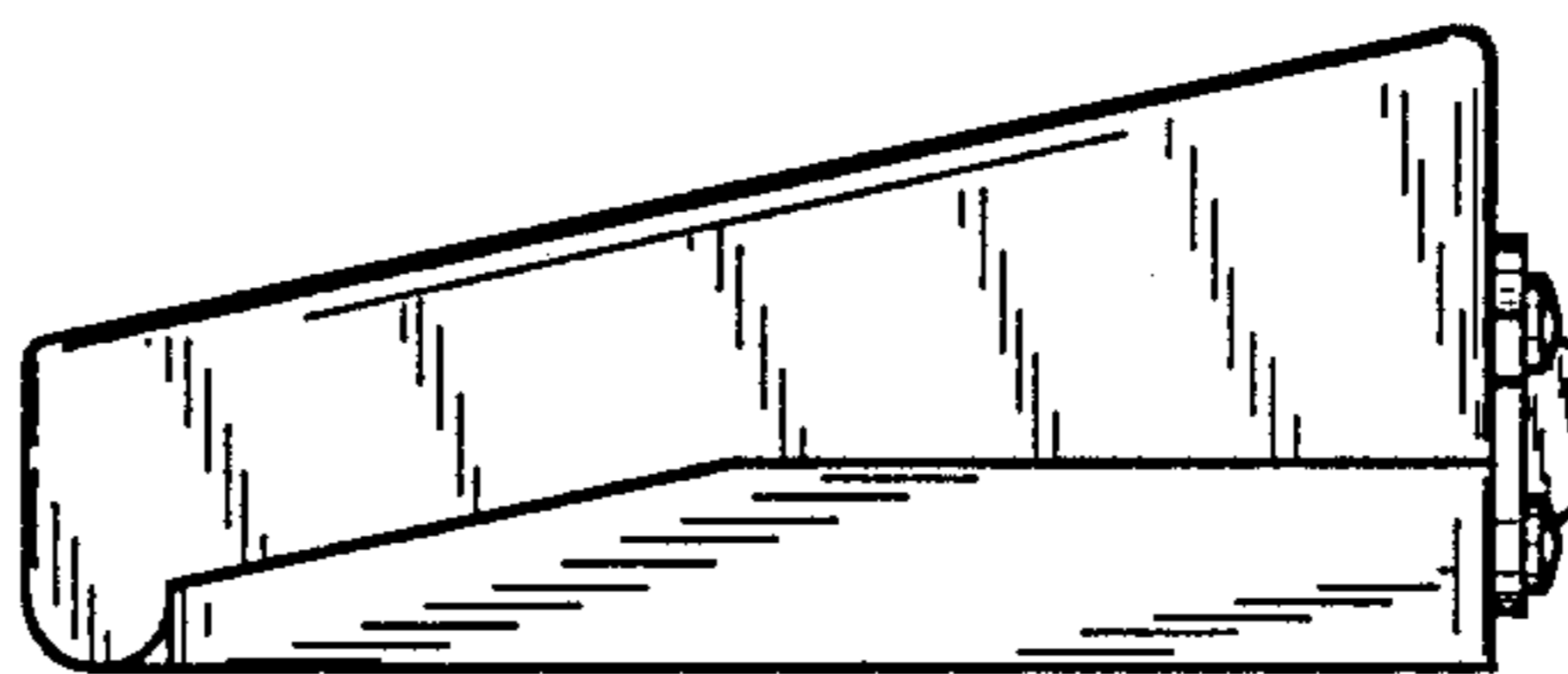


Fig.18

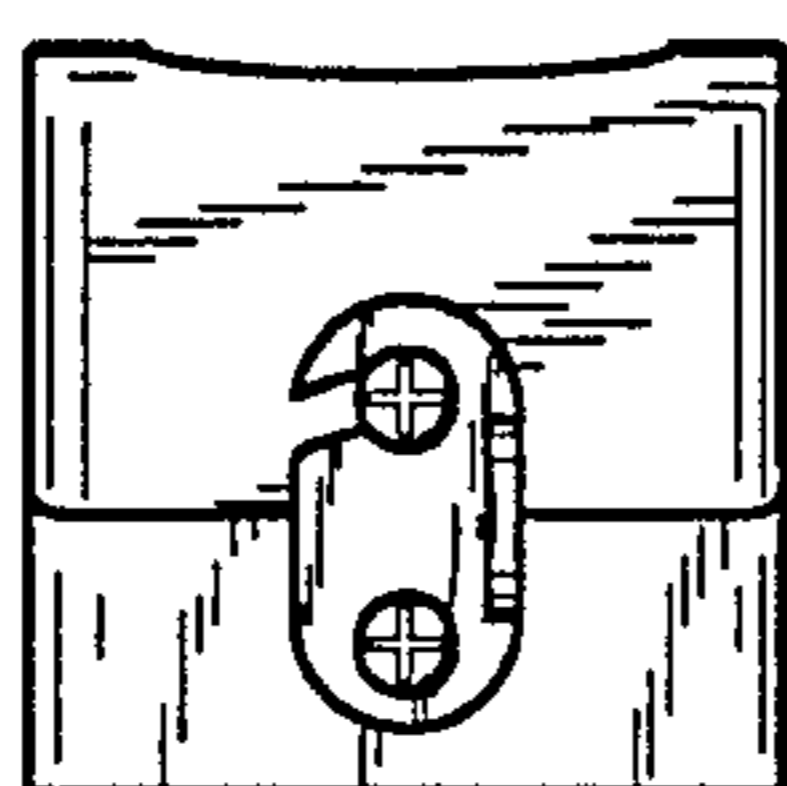


Fig.19

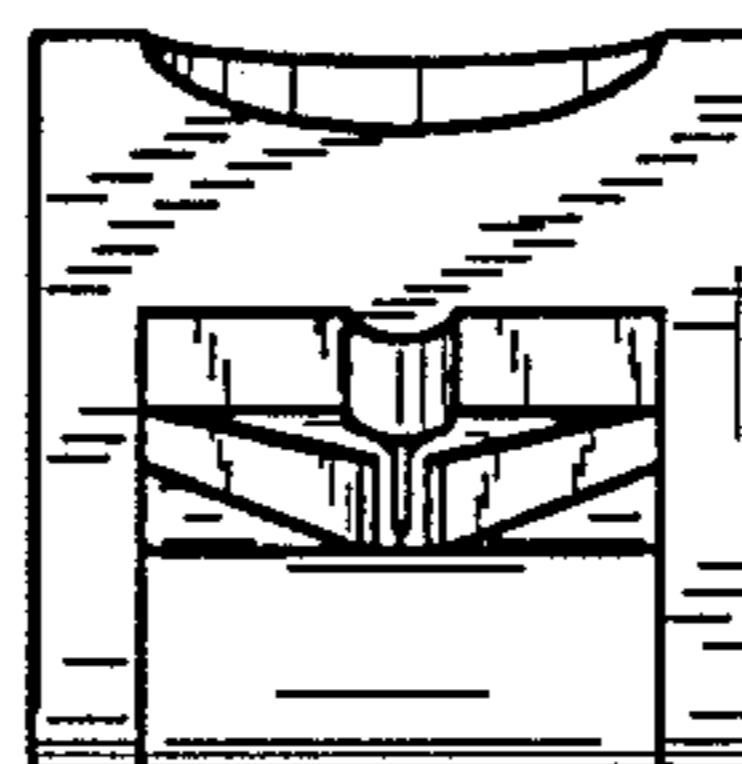


Fig.20

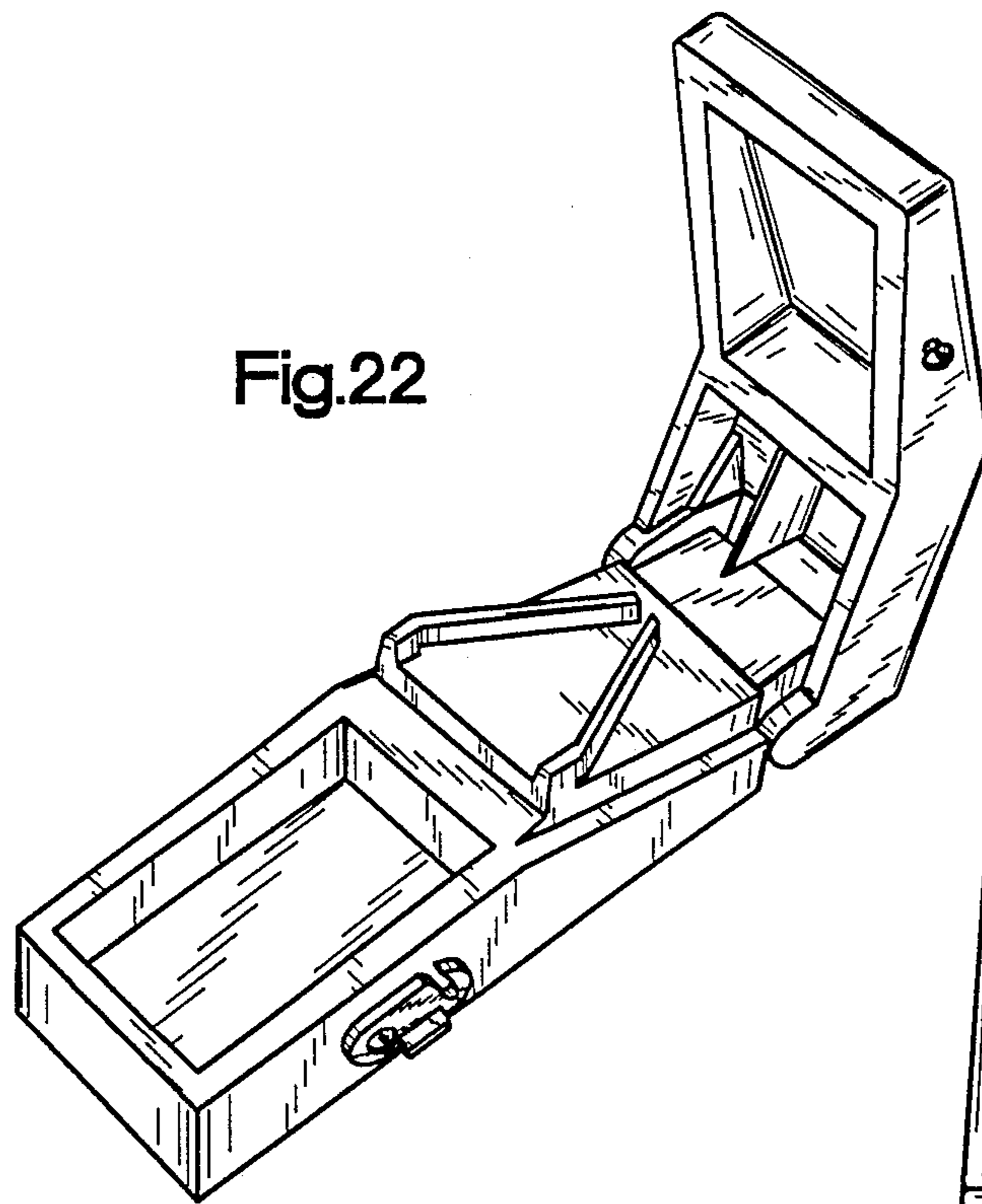


Fig.22

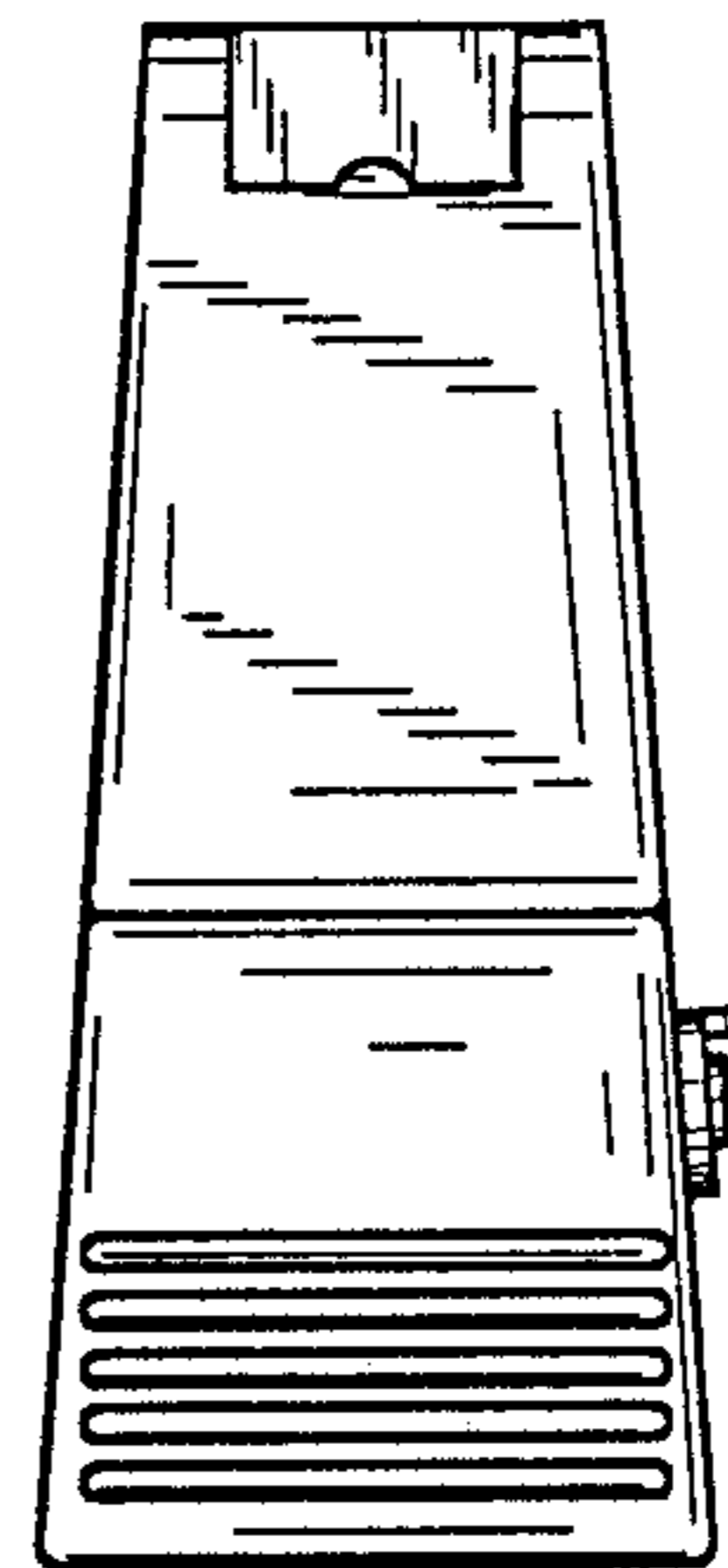


Fig.26

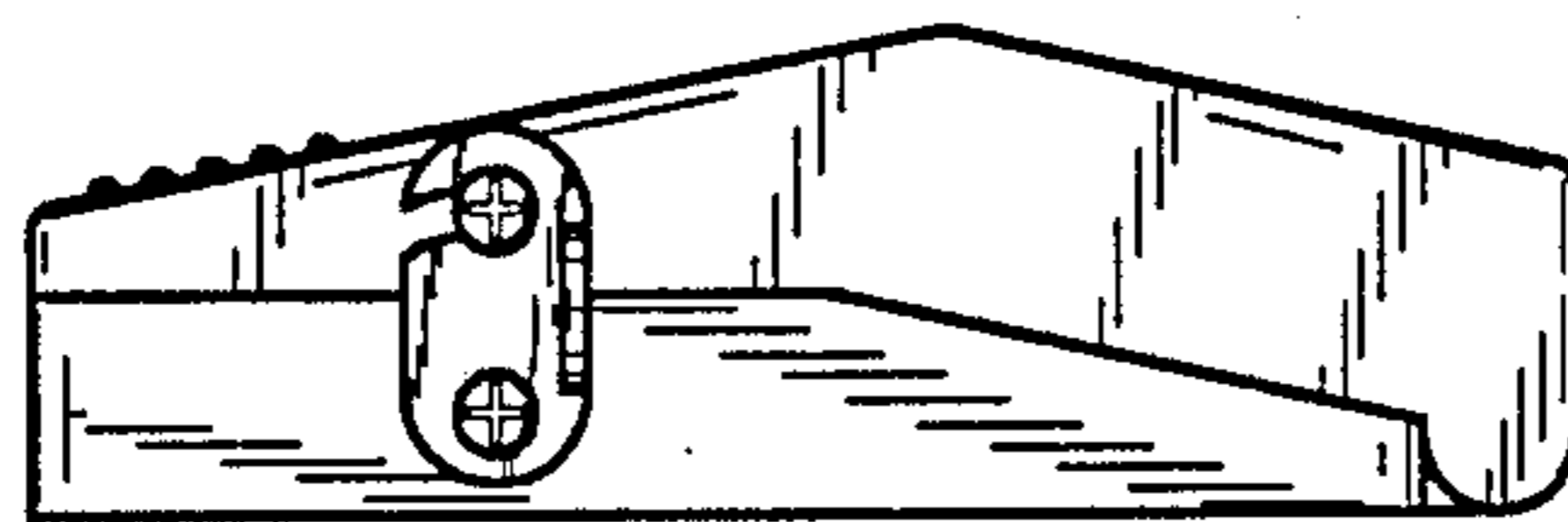


Fig.23

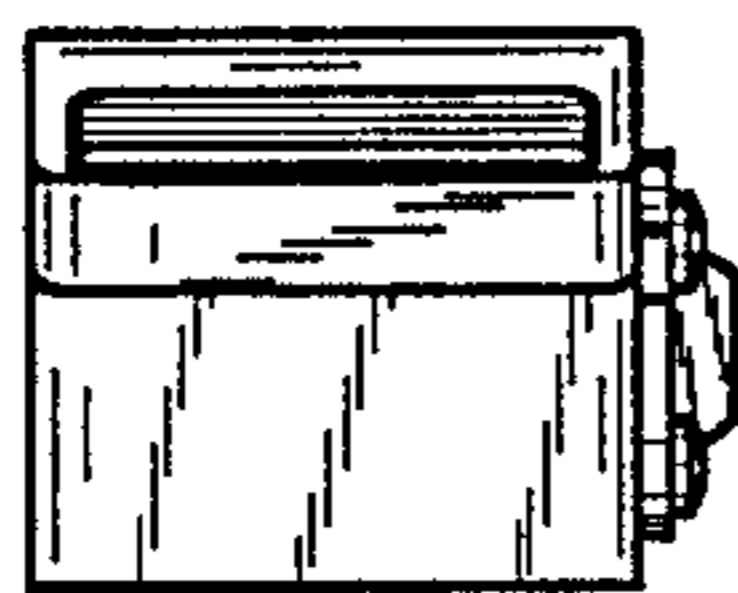


Fig.24

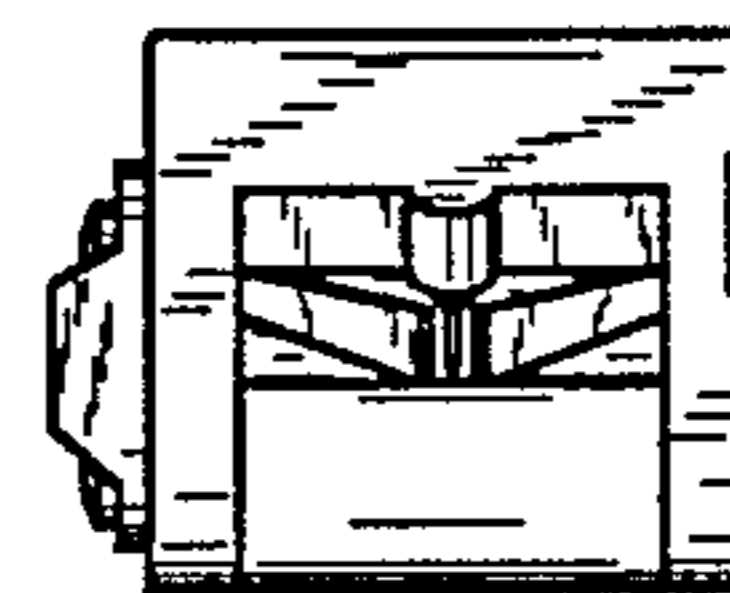


Fig.25