

[54] DESK LAMP OR SIMILAR ARTICLE

[76] Inventor: James Lu, 6F-3, No. 512, Sec. 4, Chung-Hsiao E. Rd., Taipei, Taiwan, Taiwan

[\*\*] Term: 14 Years

[21] Appl. No.: 153,339

[22] Filed: Feb. 8, 1988

[52] U.S. Cl. .... D26/65

[58] Field of Search ..... D26/93, 102-112, D26/60-66; 362/410-414, 269, 418, 419, 427, 428, 429, 401, 402, 432

[56] References Cited

U.S. PATENT DOCUMENTS

D. 122,288	9/1940	Furedy .....	D26/65
D. 215,336	9/1969	Portman et al. ....	D26/65
2,548,476	4/1951	Horstmann .....	D26/64 X
3,790,773	2/1974	Sapper .....	362/401
4,652,068	3/1987	Boekholt .....	362/432 X

OTHER PUBLICATIONS

Abitare Supplement 3 "Lamps", Jul./Aug. 1981, p. 8, Adjustable Lamp #1.

Home Lighting & Accessories, 11-1985, p. 62, Adjustable Quartz Halogen Lamp.

Primary Examiner—Susan J. Lucas

Attorney, Agent, or Firm—Saidman, Sterne Kessler & Goldstein

[57] CLAIM

The ornamental design for desk lamp or similar article, as shown and described.

DESCRIPTION

FIG. 1 is a left side elevational view of a desk lamp or similar article showing my new design;

FIG. 2 is a right side elevational view thereof;

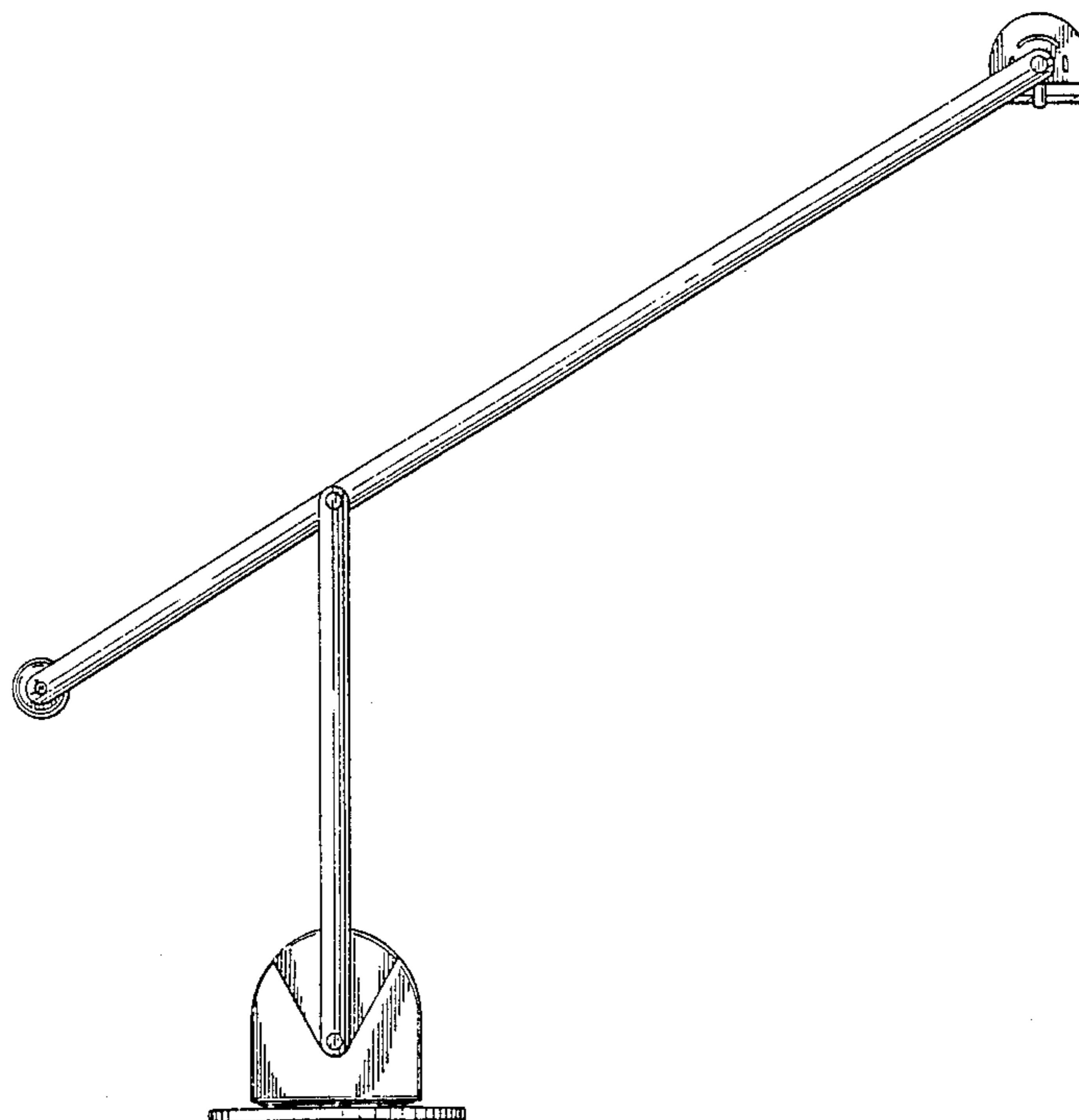
FIG. 3 is a front elevational view thereof;

FIG. 4 is a rear elevational view thereof;

FIG. 5 is a top plan view thereof;

FIG. 6 is a bottom plan view thereof; and

FIG. 7 is a top, front, left side perspective view thereof.



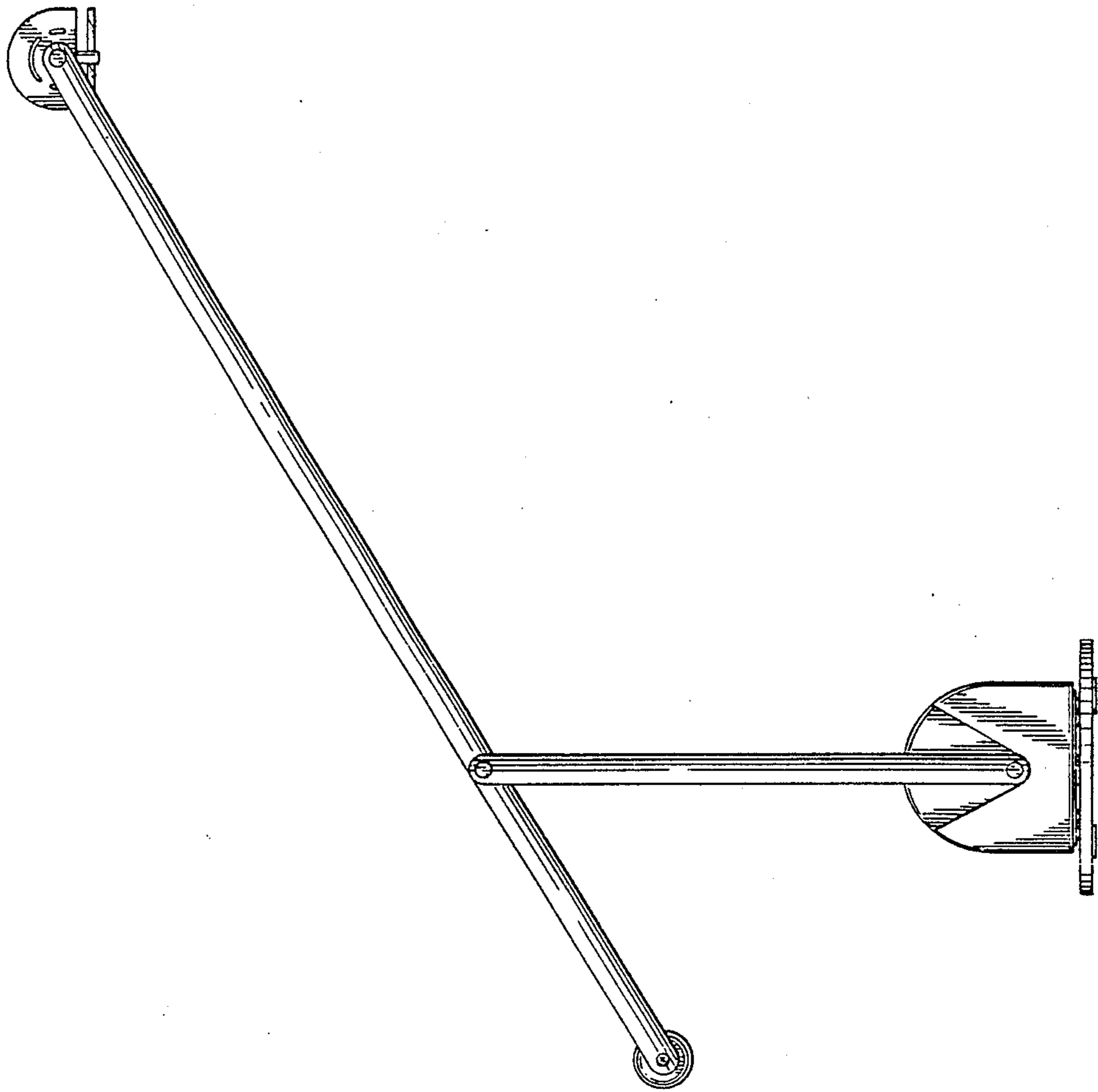


FIG. 1

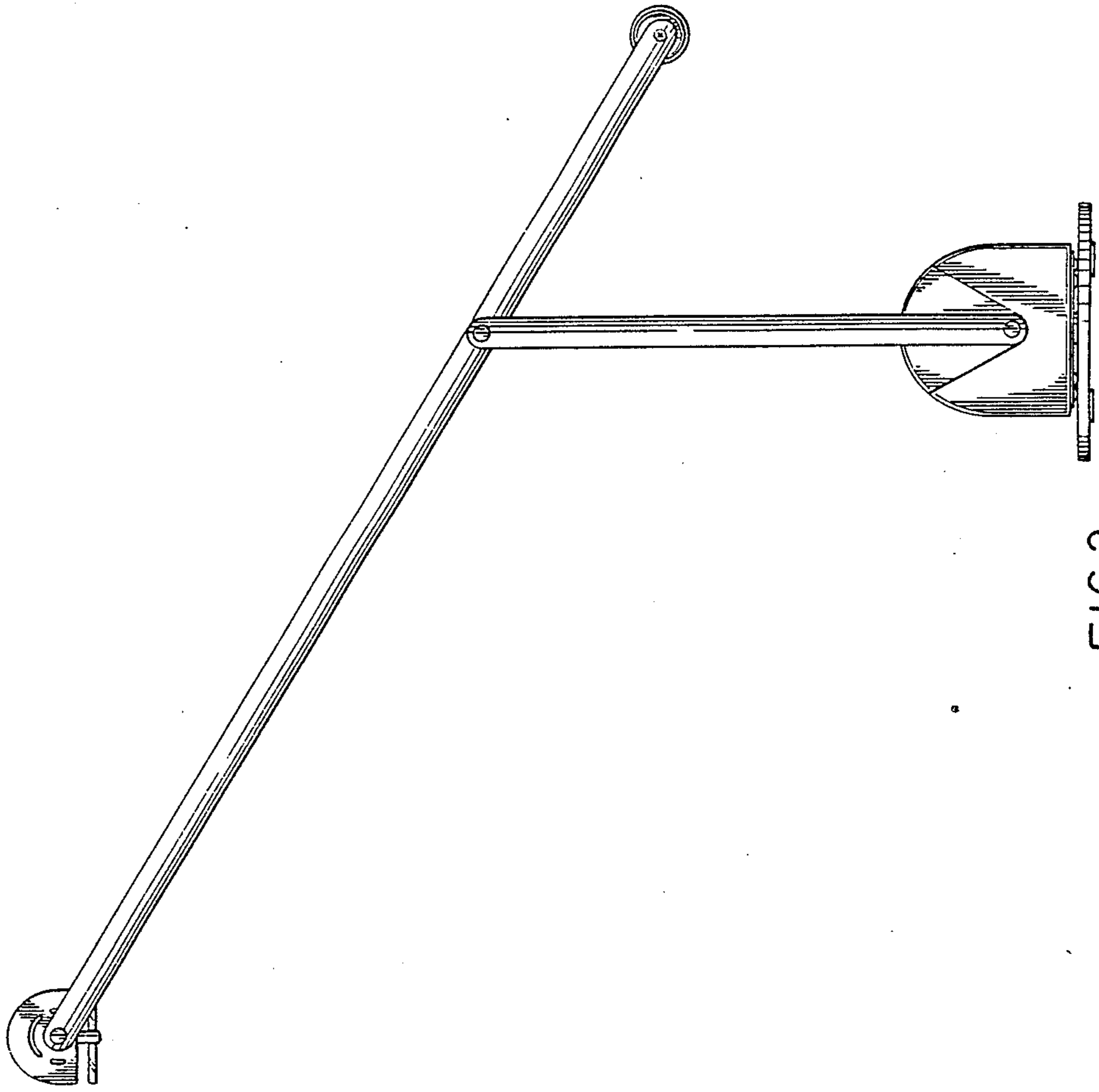


FIG. 2

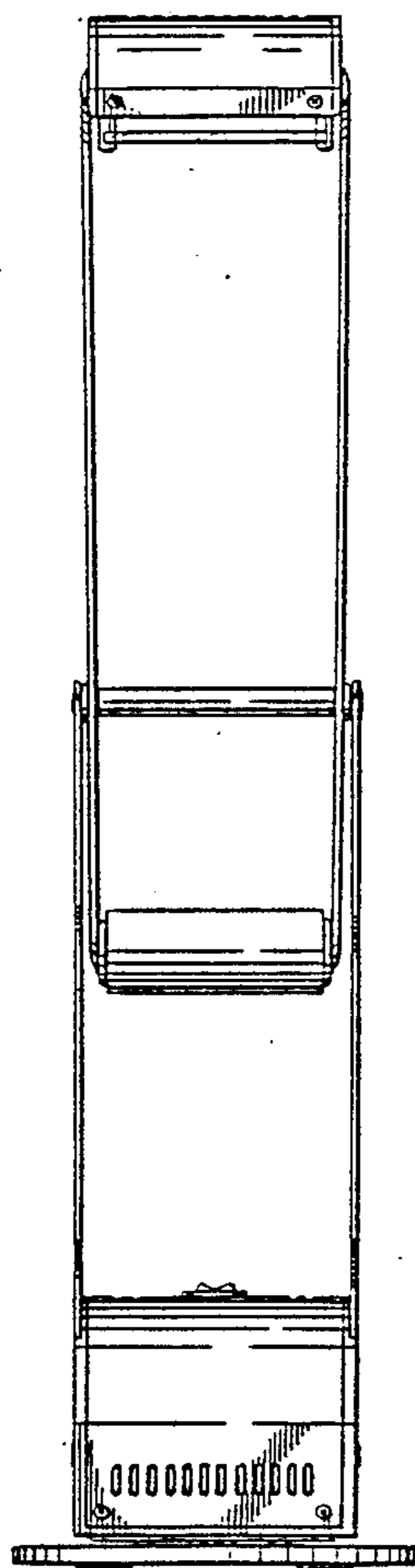


FIG. 4

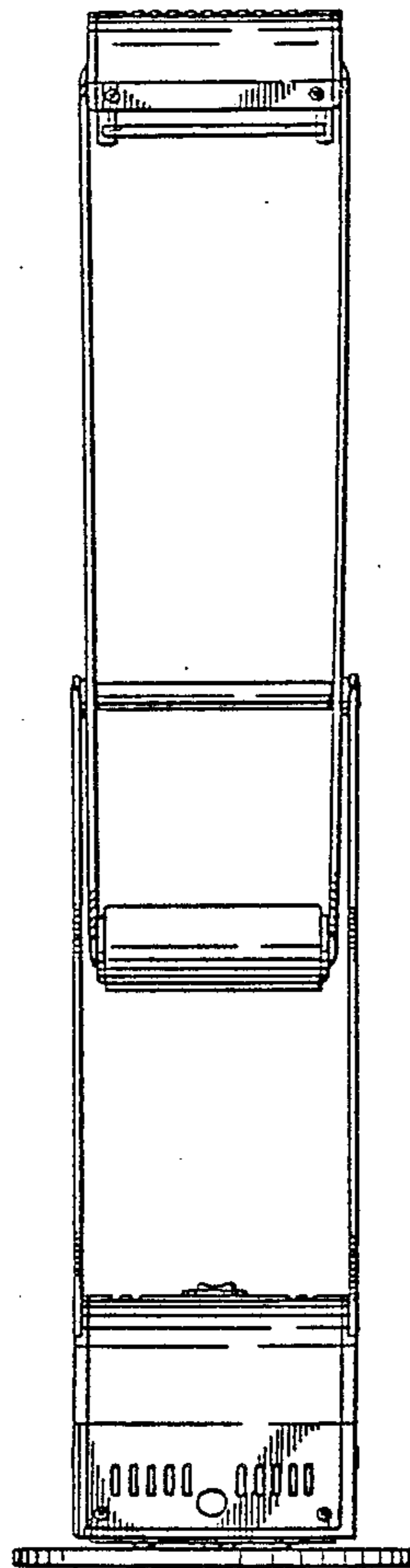


FIG. 3

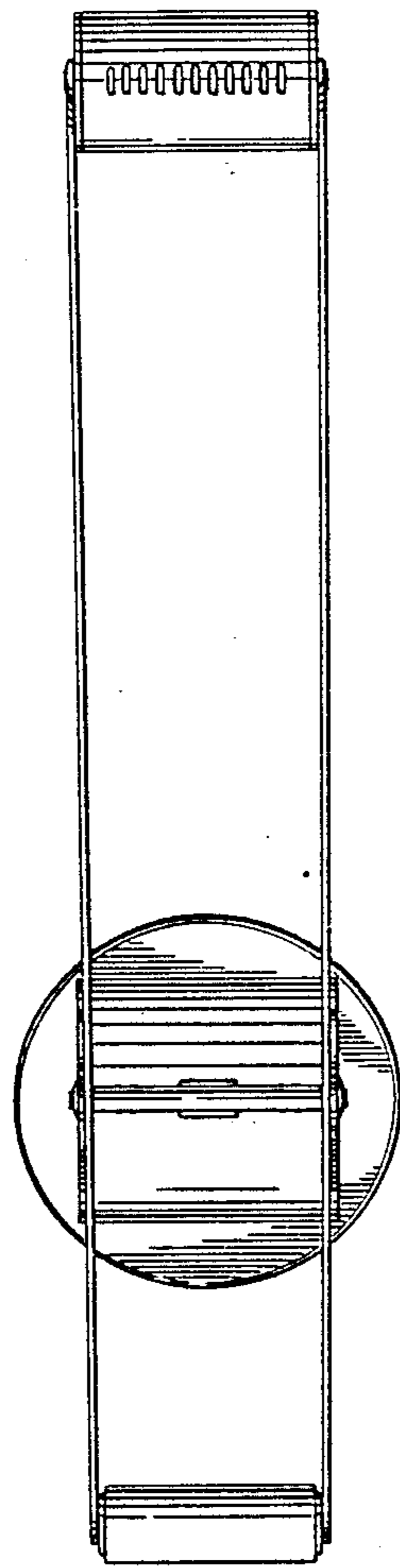


FIG. 5

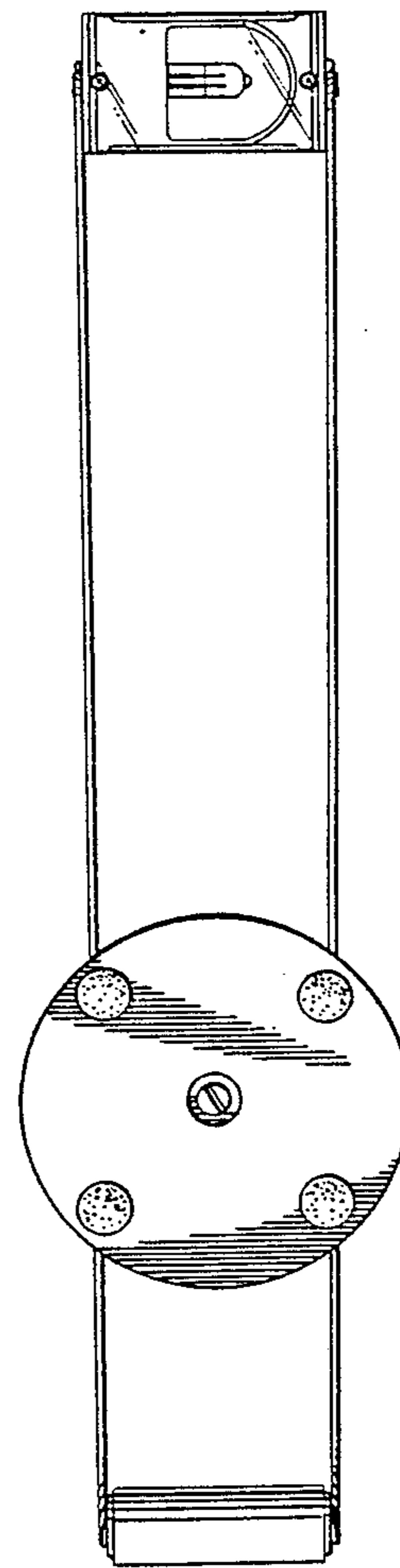


FIG. 6

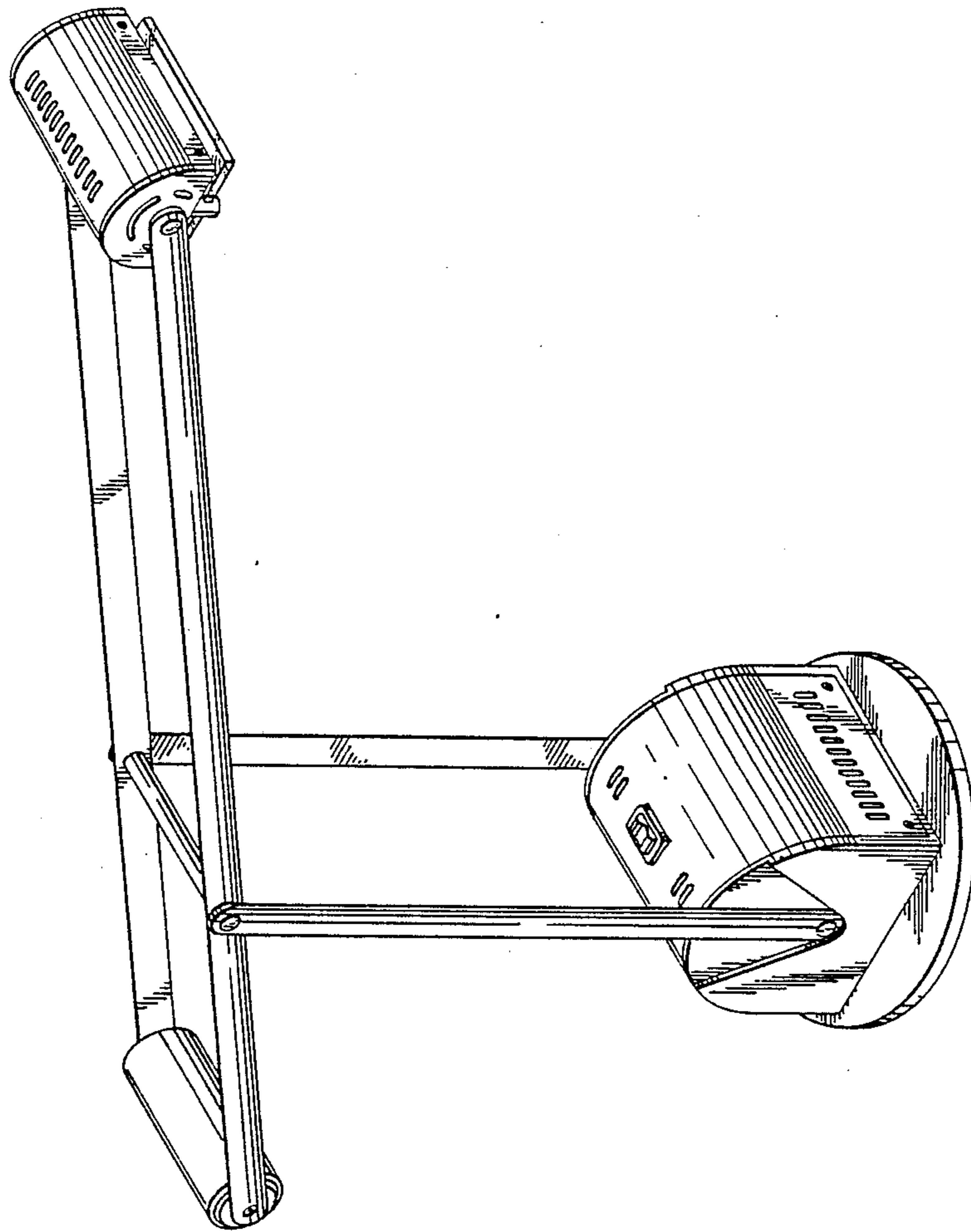


FIG. 7