

[54] TEMPOROMANDIBULAR JOINT DISC
SCISSORS

4,608,982 9/1986 Pollard 128/303 R

[75] Inventor: Franklin M. Dolwick, Gainesville,
Fla.

[73] Assignee: Walter Lorenz Surgical Instruments,
Inc., Jacksonville, Fla.

[**] Term: 14 Years

[21] Appl. No.: 84,746

[22] Filed: Aug. 13, 1987

[52] U.S. Cl. D24/10; D8/57

[58] Field of Search D24/10, 16; D8/57;
433/57, 144

[56] References Cited

U.S. PATENT DOCUMENTS

D. 27,637	9/1897	Weston	D24/10
D. 233,839	12/1974	Royse	D24/10
D. 239,105	5/1976	Megna	D8/57
D. 281,104	10/1985	Davison	D8/57
4,285,344	8/1981	Marshall	433/144

OTHER PUBLICATIONS

Nordent Catalogue No. 103 (Mar. 1986) p. 24 No. 314
La Grange Tissue Scissors.

Primary Examiner—Wallace R. Burke
Assistant Examiner—Brian N. Vinson
Attorney, Agent, or Firm—Arthur G. Yeager

[57] CLAIM

The ornamental design for temporomandibular joint
disc scissors, as shown and described.

DESCRIPTION

FIG. 1 is a top plan view of temporomandibular joint
disc scissors showing my new design;
FIG. 2 is a side elevational view thereof, the opposite
side being a mirror image of that shown;
FIG. 3 is a bottom plan view thereof;
FIG. 4 is a front end elevational view thereof;
FIG. 5 is a rear end elevational view thereof; and
FIG. 6 is a top plan view thereof, shown in an open
position.

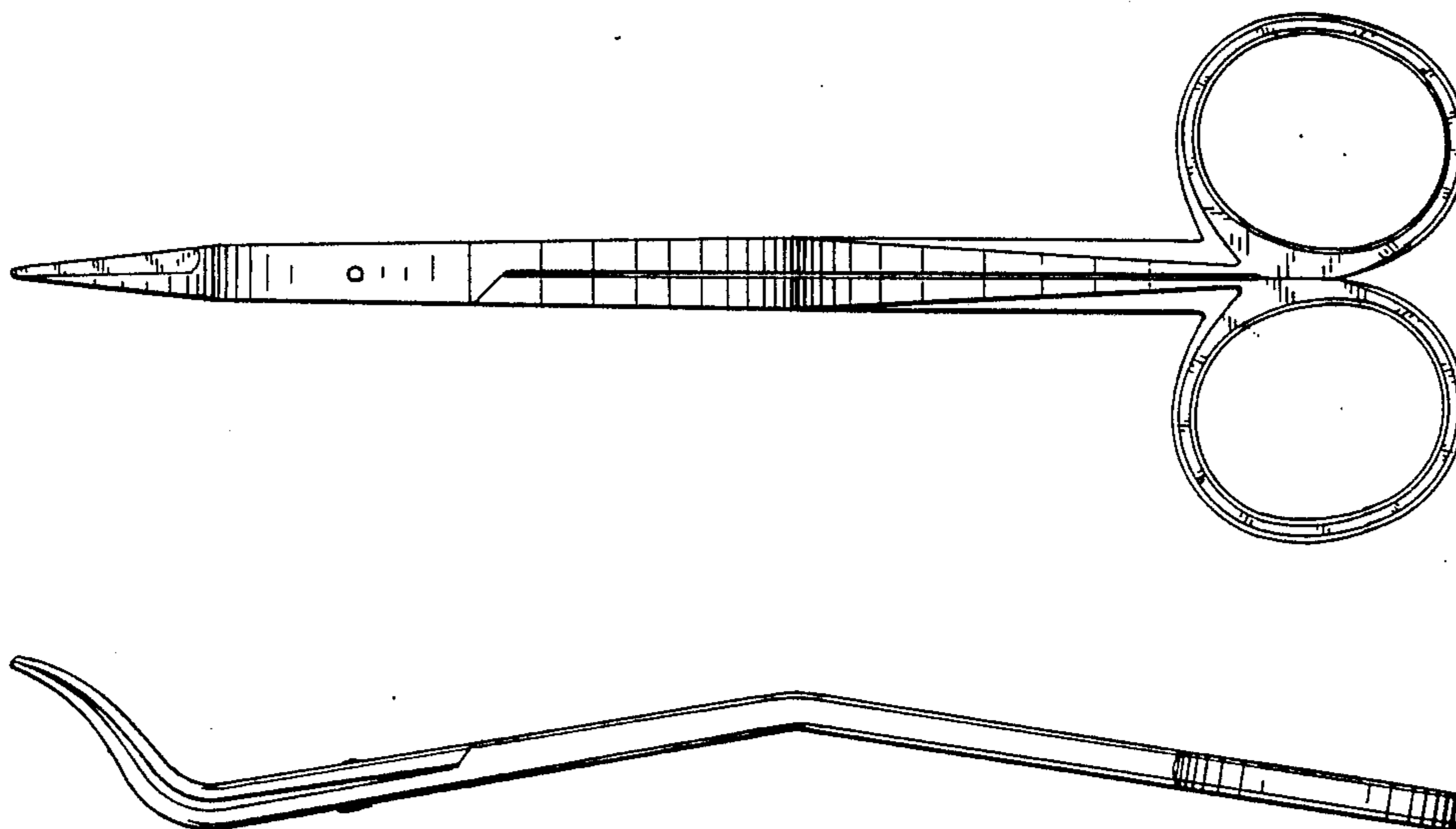


FIG. 1

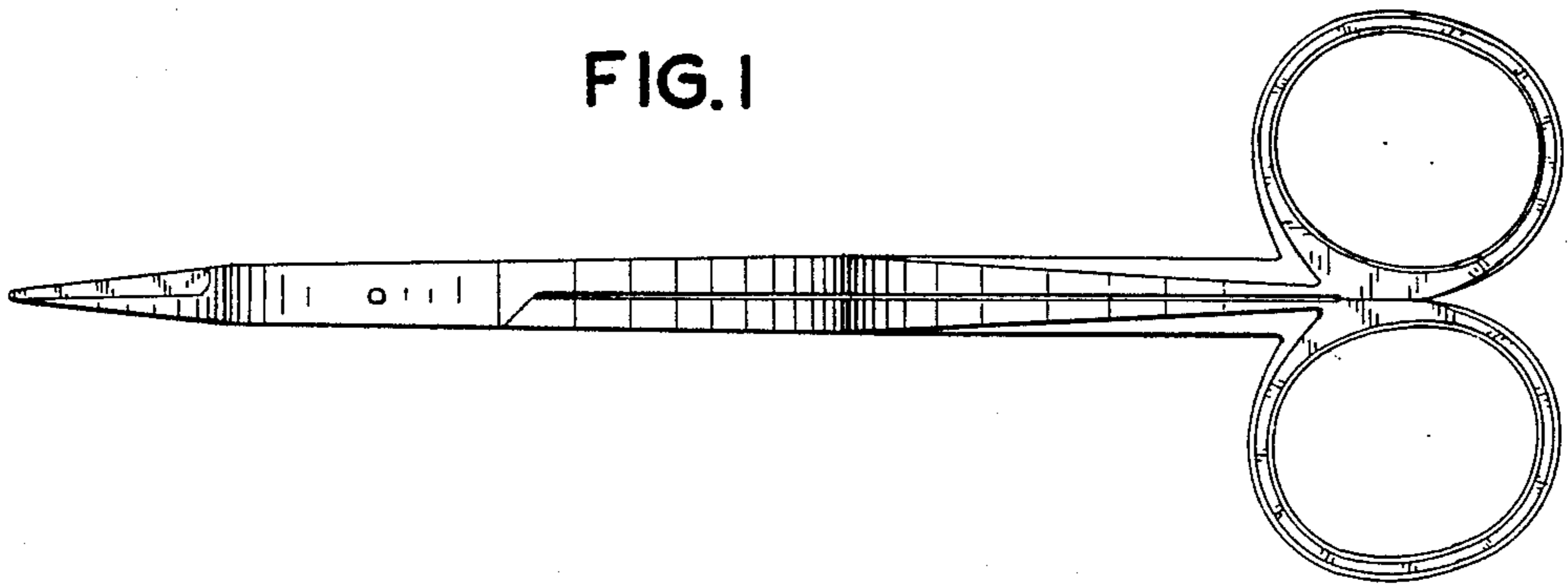


FIG. 2



FIG. 3

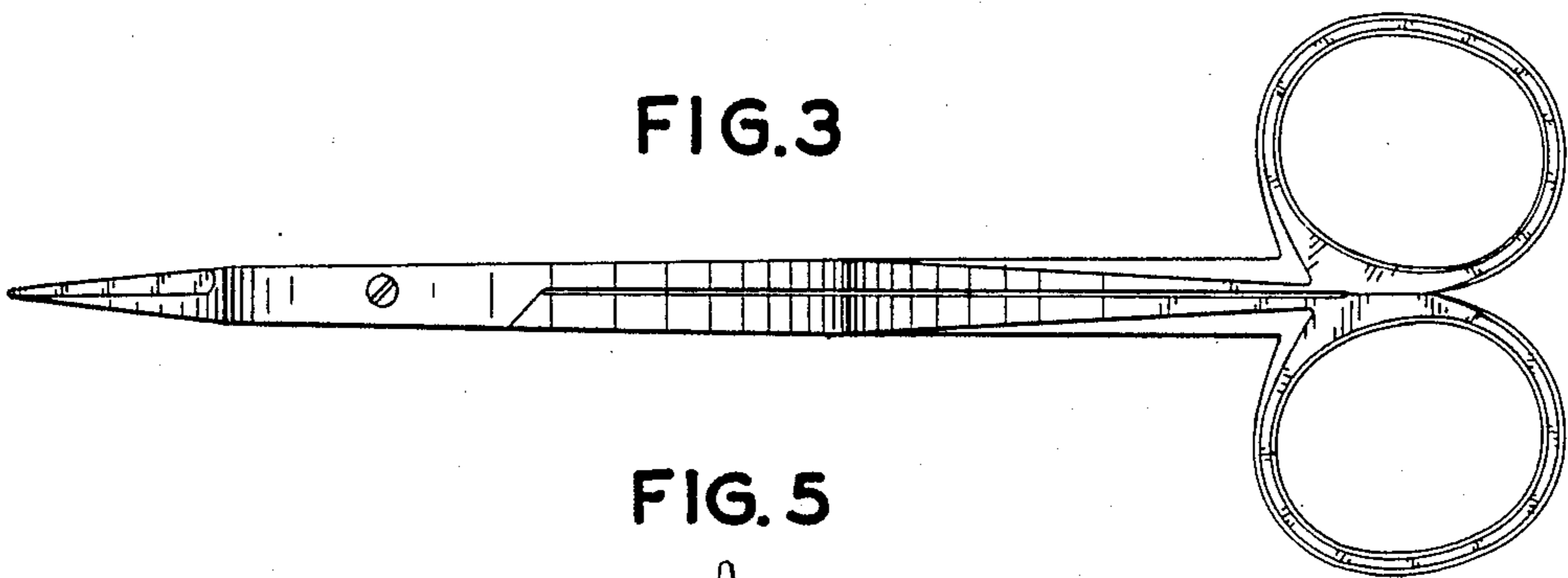


FIG. 5

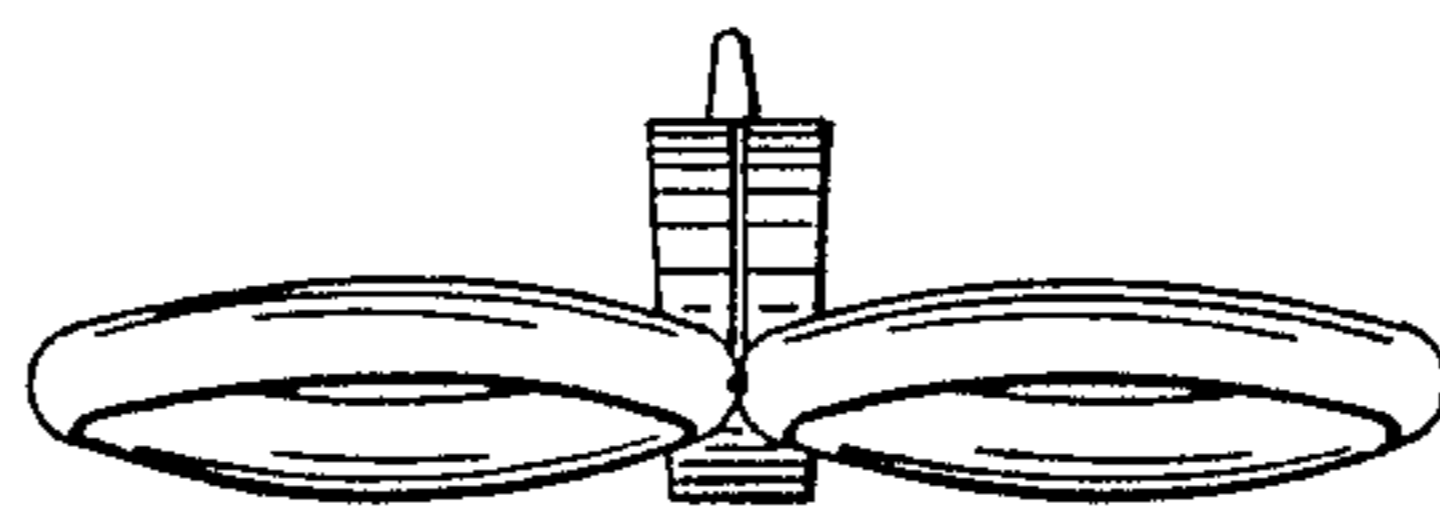


FIG. 4

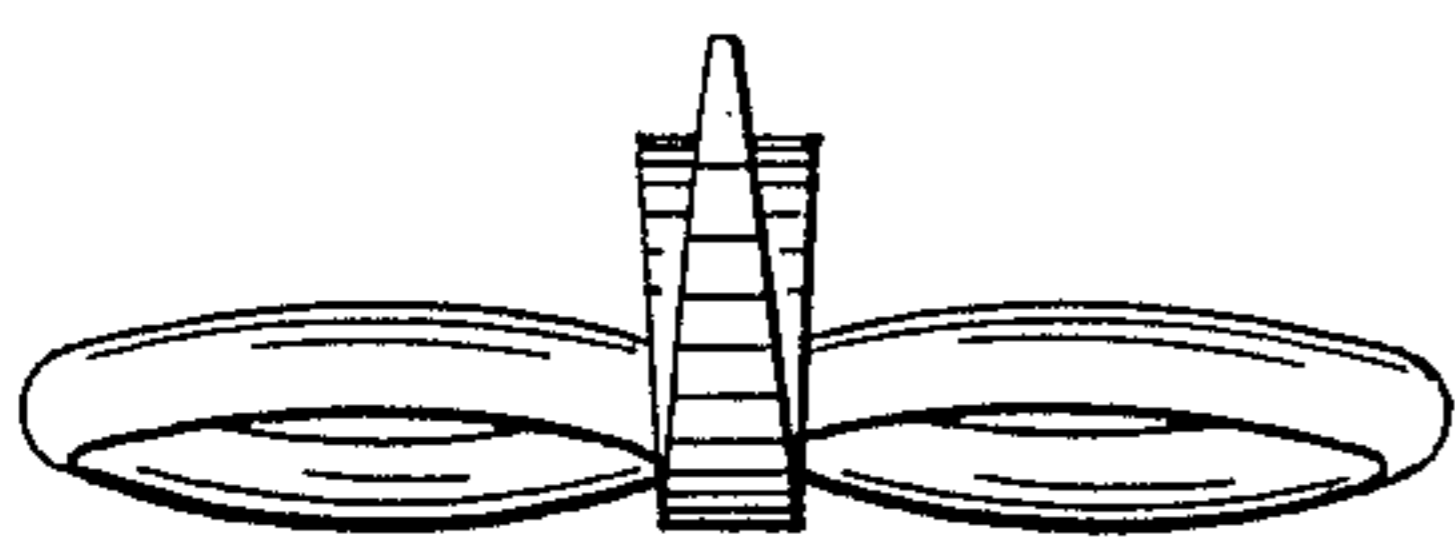


FIG. 6

