

[54] HOSE NOZZLE

[75] Inventors: Lawrence P. Heren, Peoria, Ill.;
Ronald G. Hayes, Batavia, Ohio

[73] Assignee: L. R. Nelson Company, Peoria, Ill.

[**] Term: 14 Years

[21] Appl. No.: 877,400

[22] Filed: Jun. 23, 1986

[52] U.S. Cl. D23/226

[58] Field of Search D23/208-230;
239/456-460, 525, 526

2,844,408 7/1958 Dickmann et al. 239/526 X

2,852,310 9/1958 Franeis 239/526

2,883,117 4/1959 Nelson 239/459

3,006,560 10/1961 Rosenkranz 239/456

4,080,497 4/1978 Rosenberger 239/526

Primary Examiner—James R. Largen
Attorney, Agent, or Firm—Cushman, Darby & Cushman

[57] CLAIM

The ornamental design for a hose nozzle, as shown and described.

DESCRIPTION

FIG. 1 is a perspective view taken from the top, rear and left side of a hose nozzle showing our new design; FIG. 2 is a top plan view thereof; FIG. 3 is a left side elevational view thereof, the right side being a mirror image of the left side shown; FIG. 4 is a front elevational view thereof; FIG. 5 is a rear elevational view thereof; and FIG. 6 is another left side elevational view thereof showing portions in cross section to illustrate recessed surfaces.

The broken line representation of a detachable spray unit in FIG. 1 is for purposes of illustration only and forms no part of the claimed design.

[56] References Cited

U.S. PATENT DOCUMENTS

D. 141,730 7/1945 Baur D23/226

D. 152,326 1/1949 Cissell D23/226

D. 155,508 10/1949 Heimbürger D23/223

D. 180,486 6/1957 Koeppel D23/226

D. 185,945 8/1959 Rosenkranz D23/222

D. 221,547 8/1971 Kieres D23/226

D. 234,053 1/1975 Raffler et al. D23/226

1,825,864 10/1931 Harter 239/459

2,523,084 9/1950 Adragna 239/459

2,567,176 9/1951 Ballard 239/526 X

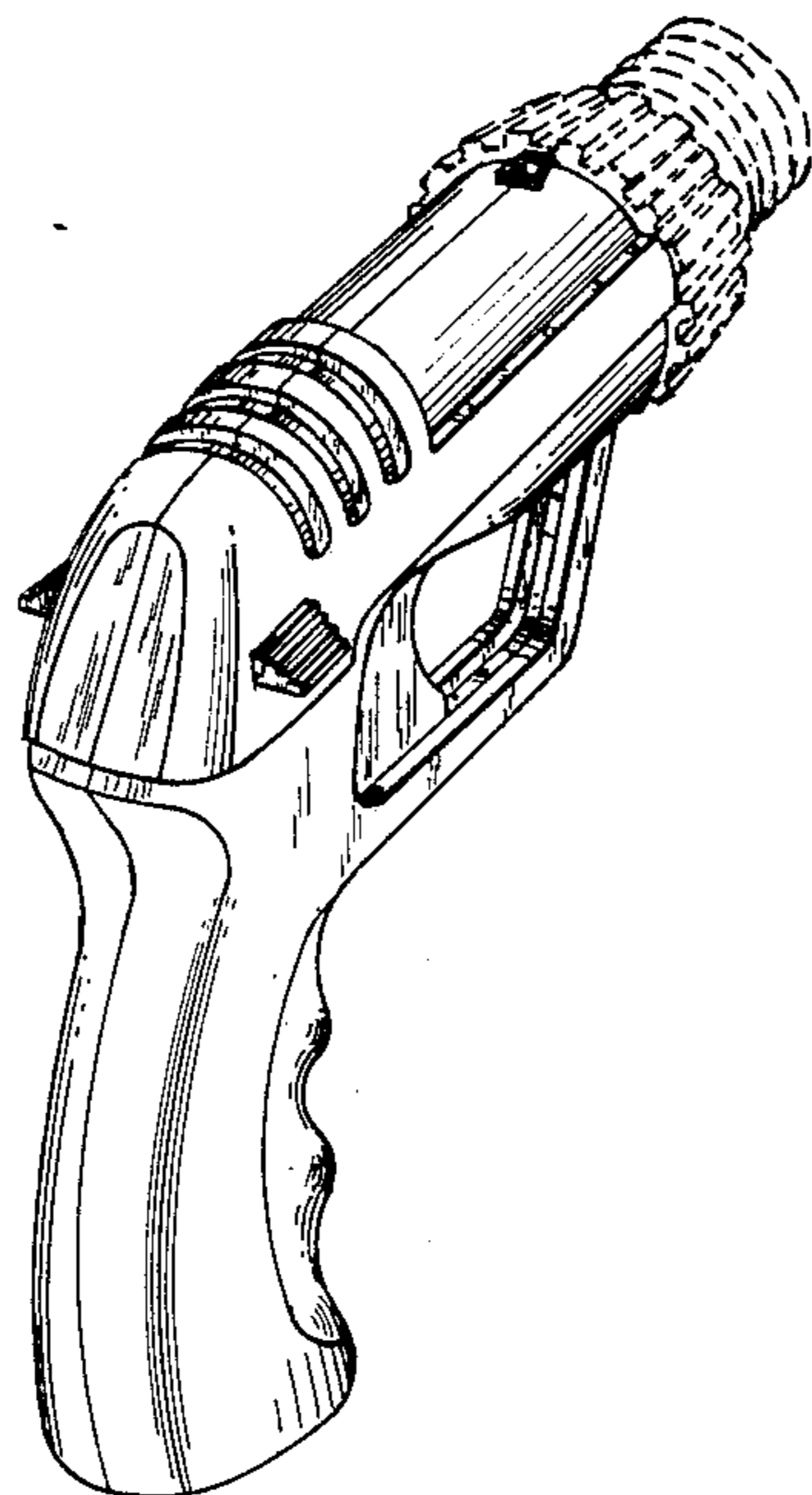


Fig. 1.

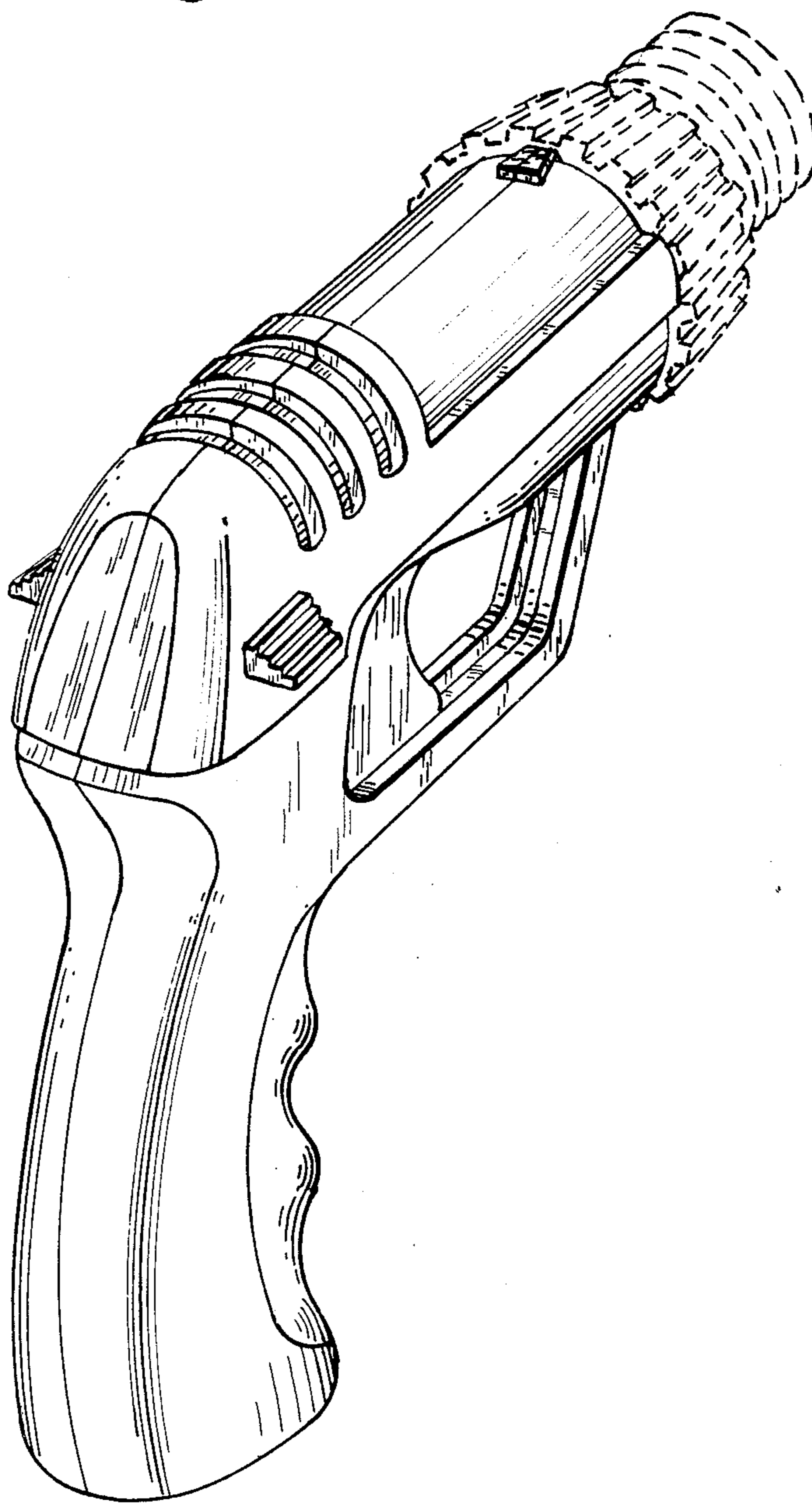


Fig. 2.

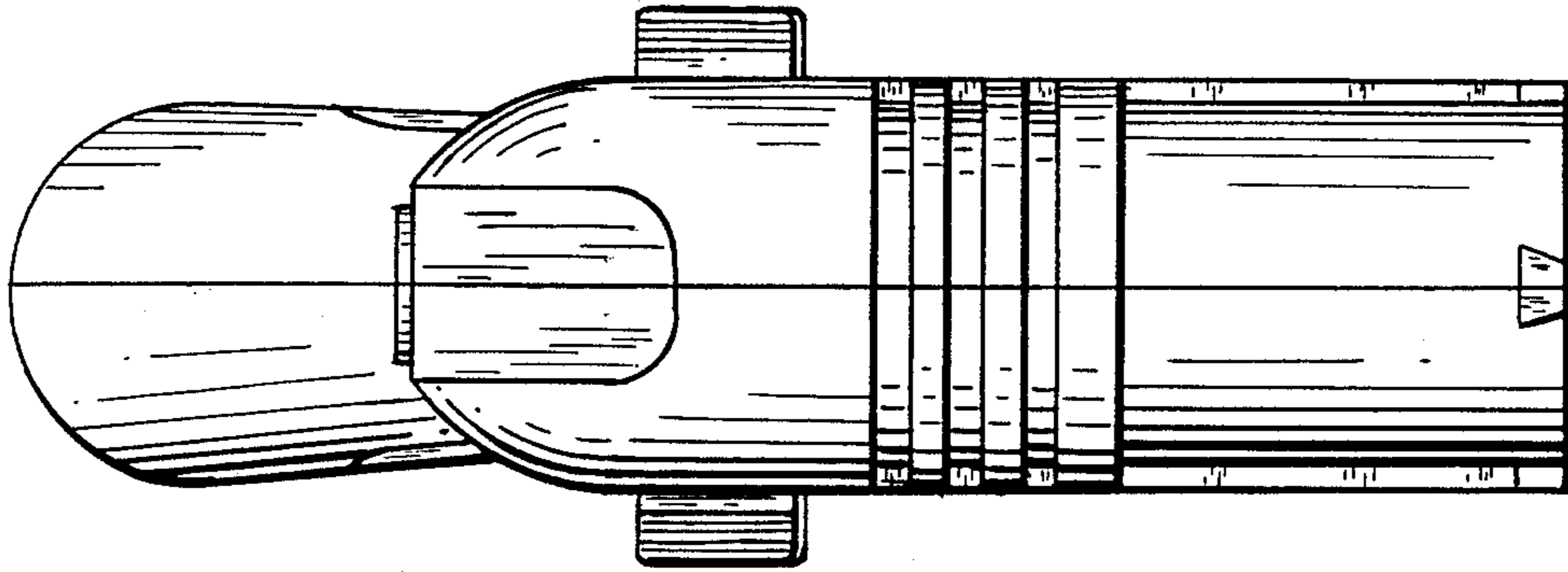


Fig. 3.

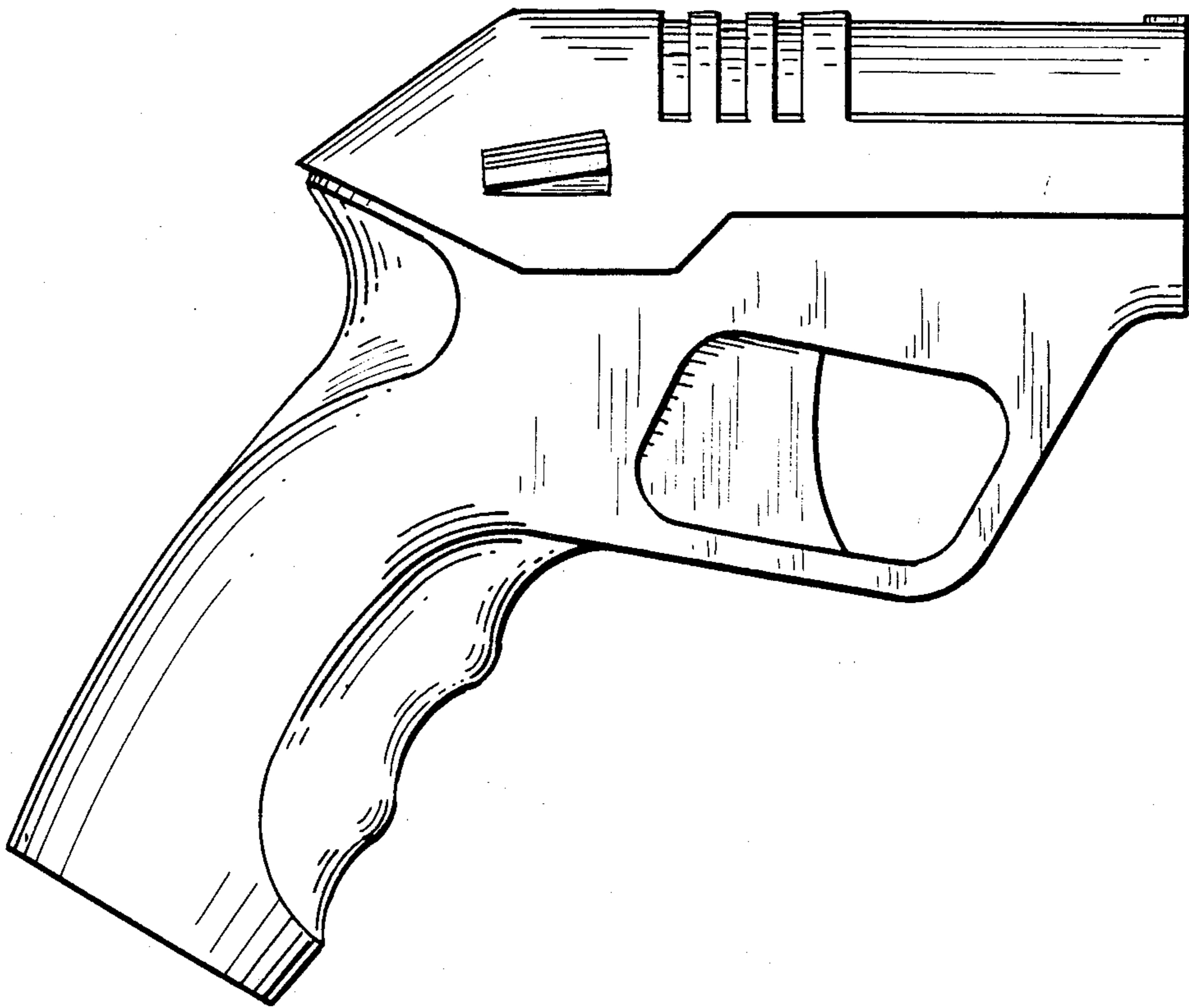


Fig. 4.

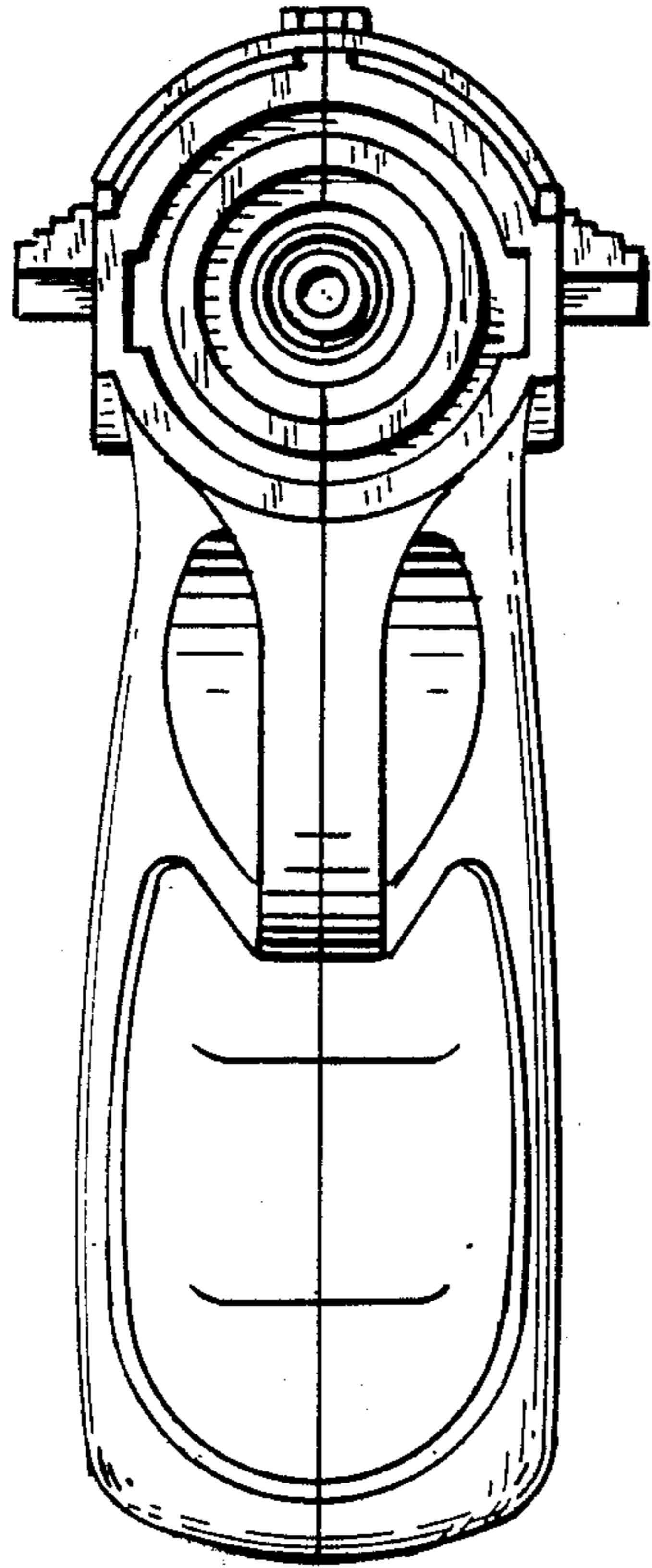


Fig. 5.

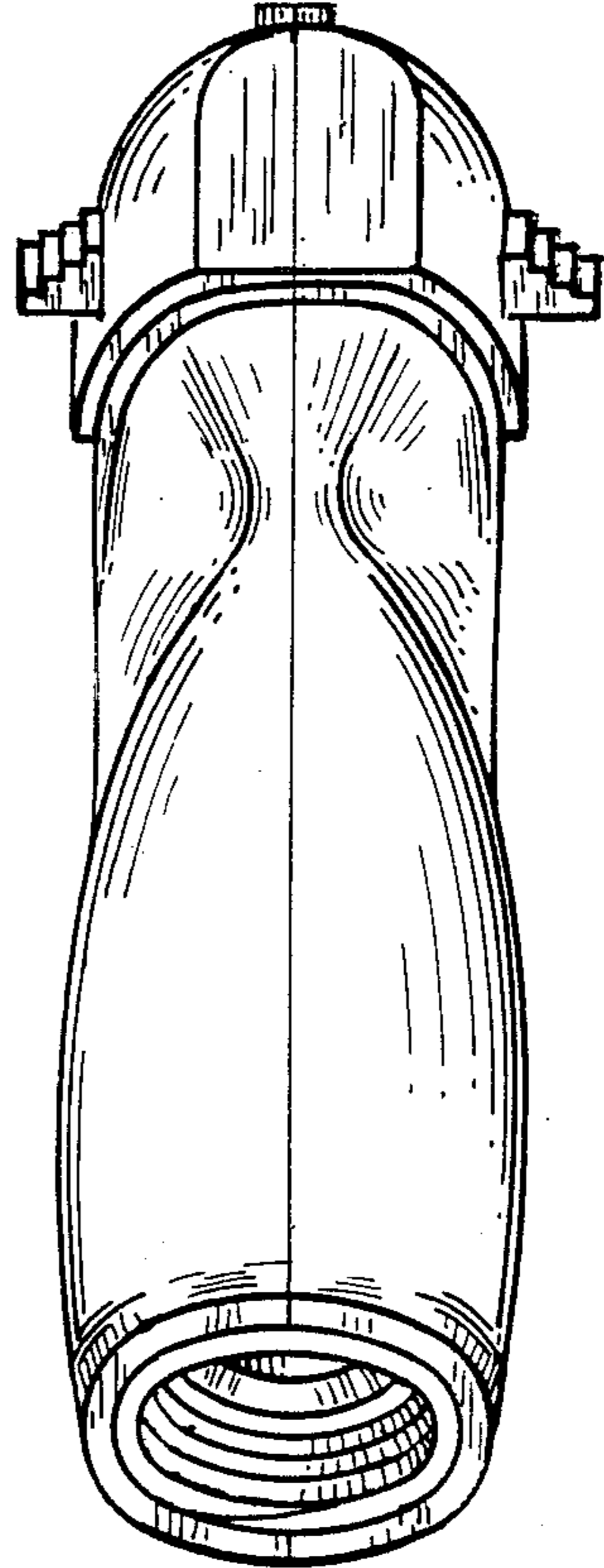


Fig. 6.

